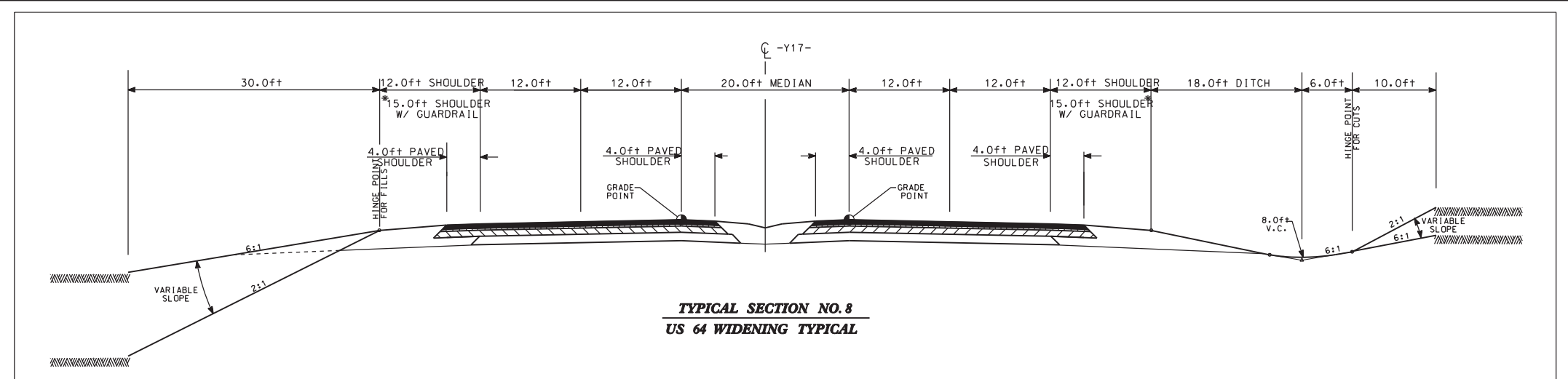
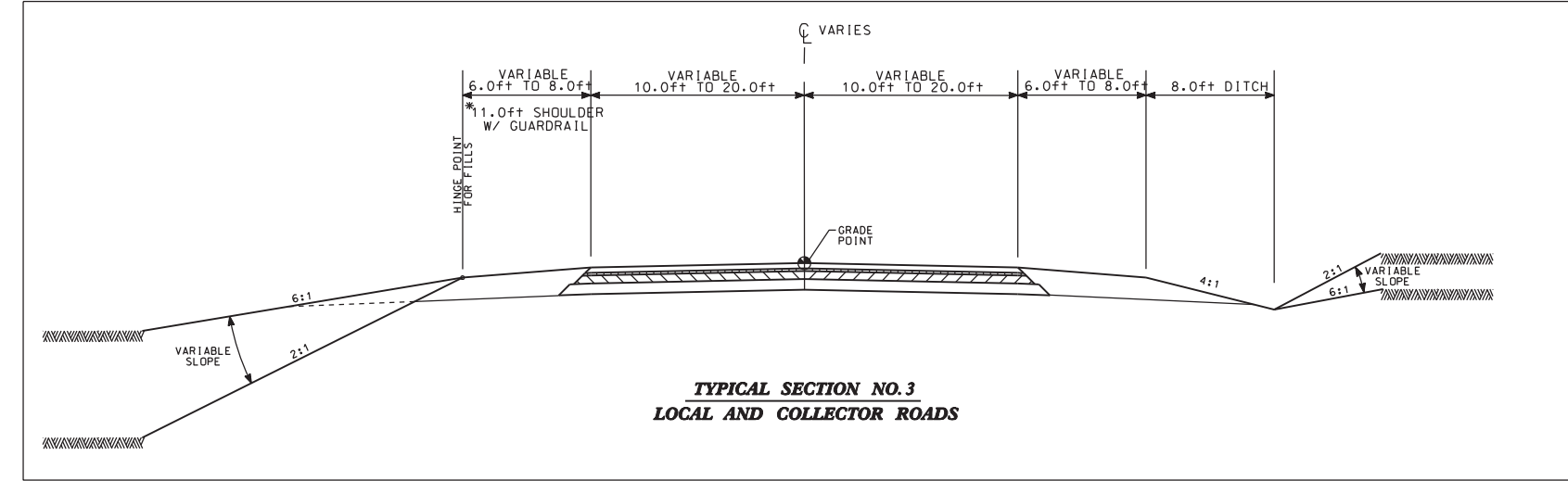
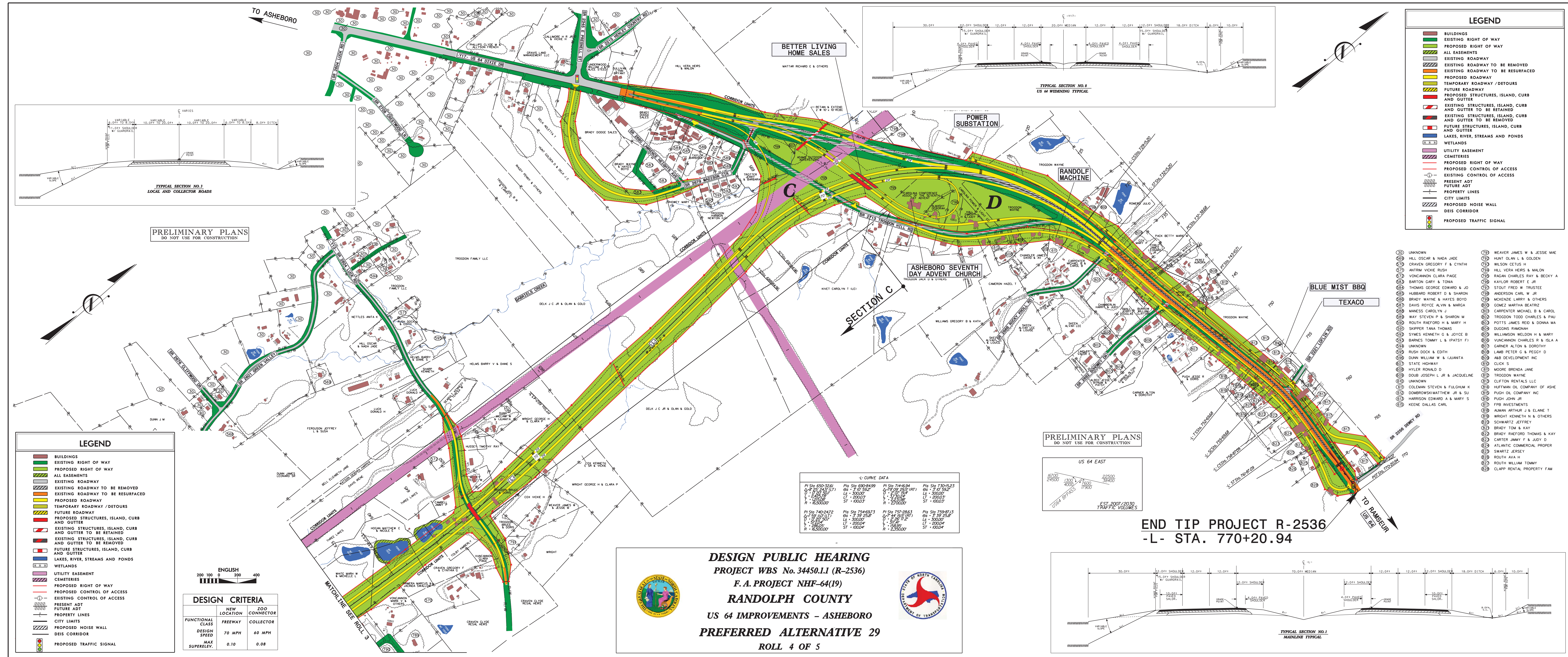


DESIGN PUBLIC HEARING
PROJECT WBS No. 34450.1.1 (R-2536)
F. A. PROJECT NHF-64(19)
RANDOLPH COUNTY
US 64 IMPROVEMENTS - ASHEBORO
PREFERRED ALTERNATIVE 29
ROLL 4 OF 5

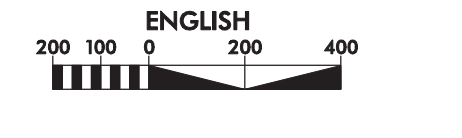


LEGEND

- BUILDINGS
- EXISTING RIGHT OF WAY
- PROPOSED RIGHT OF WAY
- ALL EASEMENTS
- EXISTING ROADWAY
- EXISTING ROADWAY TO BE REMOVED
- EXISTING ROADWAY TO BE RESURFACED
- PROPOSED ROADWAY
- TEMPORARY ROADWAY / DETOURS
- FUTURE ROADWAY
- PROPOSED STRUCTURES, ISLAND, CURB AND GUTTER
- EXISTING STRUCTURES, ISLAND, CURB AND GUTTER TO BE RETAINED
- EXISTING STRUCTURES, ISLAND, CURB AND GUTTER TO BE REMOVED
- FUTURE STRUCTURES, ISLAND, CURB AND GUTTER
- LAKES, RIVER, STREAMS AND PONDS
- WETLANDS
- UTILITY EASEMENT
- CEMETERIES
- PROPOSED RIGHT OF WAY
- PROPOSED CONTROL OF ACCESS
- EXISTING CONTROL OF ACCESS
- PRESENT ADT
- FUTURE ADT
- PROPERTY LINES
- CITY LIMITS
- PROPOSED NOISE WALL
- DEIS CORRIDOR
- PROPOSED TRAFFIC SIGNAL

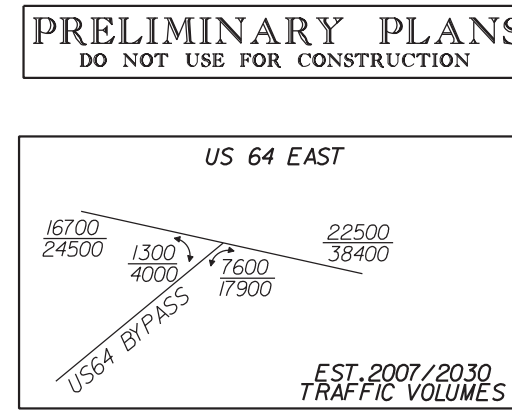
DESIGN CRITERIA

FUNCTIONAL CLASS	NEW LOCATION	ZOO CONNECTOR
DESIGN SPEED	70 MPH	60 MPH
MAX SUPERELEV.	0.10	0.08

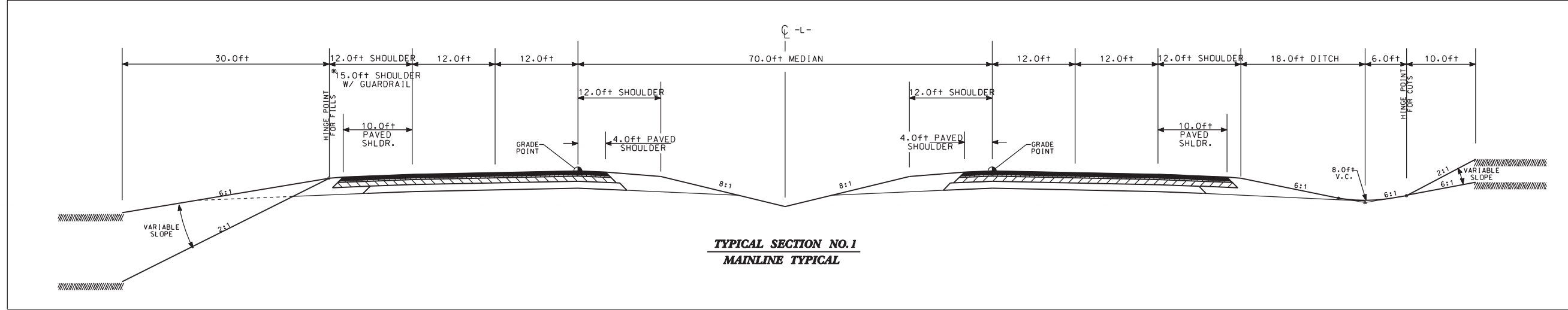


4-CURVE DATA

PI Sta 650+32.61 D = 172.50' Ls = 200.00' Lc = 172.50' R = 16500.00'	PI Sta 690+84.99 D = 172.50' Ls = 200.00' Lc = 172.50' R = 16500.00'	PI Sta 740+24.72 D = 172.50' Ls = 200.00' Lc = 172.50' R = 16500.00'	PI Sta 754+69.73 D = 172.50' Ls = 200.00' Lc = 172.50' R = 16500.00'	PI Sta 757+28.63 D = 172.50' Ls = 200.00' Lc = 172.50' R = 16500.00'	PI Sta 759+87.13 D = 172.50' Ls = 200.00' Lc = 172.50' R = 16500.00'
--	--	--	--	--	--



END TIP PROJECT R-2536
-L- STA. 770+20.94



LEGEND

- BUILDINGS
- EXISTING RIGHT OF WAY
- PROPOSED RIGHT OF WAY
- ALL EASEMENTS
- EXISTING ROADWAY
- EXISTING ROADWAY TO BE REMOVED
- EXISTING ROADWAY TO BE RESURFACED
- PROPOSED ROADWAY
- TEMPORARY ROADWAY / DETOURS
- FUTURE ROADWAY
- PROPOSED STRUCTURES, ISLAND, CURB AND GUTTER
- EXISTING STRUCTURES, ISLAND, CURB AND GUTTER TO BE RETAINED
- EXISTING STRUCTURES, ISLAND, CURB AND GUTTER TO BE REMOVED
- FUTURE STRUCTURES, ISLAND, CURB AND GUTTER
- LAKES, RIVER, STREAMS AND PONDS
- WETLANDS
- UTILITY EASEMENT
- CEMETERIES
- PROPOSED RIGHT OF WAY
- PROPOSED CONTROL OF ACCESS
- EXISTING CONTROL OF ACCESS
- PRESENT ADT
- FUTURE ADT
- PROPERTY LINES
- CITY LIMITS
- PROPOSED NOISE WALL
- DEIS CORRIDOR
- PROPOSED TRAFFIC SIGNAL

- 80 UNKNOWN
- 81 HILL OSCAR & NADA JADE
- 82 CRAVEN GREGORY F & CYNTHI
- 83 ANTRIM VICKIE RUSH
- 84 VONCANNON CLARA PAIGE
- 85 BARTON GARY & TONIA
- 86 THOMAS GEORGE EDWARD & JO
- 87 HUSSARD ROBERT D & SHARON
- 88 BRADY WAYNE & HAYES BOYD
- 89 DAVIS ROYCE ALVIN & MARGA
- 90 MANESS CAROLYN J
- 91 WAY STEVEN P & SHARON M
- 92 ROUTH RAEFORD H & MARY H
- 93 SKIPPER TANA THOMAS
- 94 SYMES KENNETH G & JOYCE B
- 95 BARNES TOMMY L & (PATSY) F
- 96 UNKNOWN
- 97 RUSH DOCK & EDITH
- 98 DUNN WILLIAM W & LUJANTA
- 99 STATE HIGHWAY
- 100 MYLER RONALD D
- 101 DOUB JOSEPH L JR & JACQUELINE
- 102 UNKNOWN
- 103 COLEMAN STEVEN & FULGHAM K
- 104 DOMBROWSKIMATTHEW JR & SU
- 105 HARRISON EDWARD A & MARY S
- 106 KEENE DALLAS CARL
- 107 WEAVER JAMES W & JESSIE MAE
- 108 HUNT OLAN L & GOLDEN
- 109 WILSON CETUS H
- 110 HILL VERA HERS & MALON
- 111 RAGAN CHARLES RAY & BECKY A
- 112 KAYLOR ROBERT E JR
- 113 STOUT FRED W TRUSTEE
- 114 ANDERSON CARL W JR
- 115 MCKENZIE LARRY & OTHERS
- 116 GOMEZ MARTHA BEATRIZ
- 117 CARPENTER MICHAEL B & CAROL
- 118 TROGDON TODD CHARLES & PAU
- 119 POTTS JAMES REID & DONNA MA
- 120 DUGGINS RAMONAH
- 121 WILLIAMSON WELDON H & MARY
- 122 VUNCANNON CHARLES R & ISLA A
- 123 GARNER ALTON & DOROTHY
- 124 LAMB PETER G & REGOY D
- 125 ABB DEVELOPMENT INC
- 126 CLICK S
- 127 MOORE BRENDA JANE
- 128 TROGDON WAYNE
- 129 CLETON RENTALS LLC
- 130 HUFFMAN OIL COMPANY OF ASHE
- 131 PUGH OIL COMPANY INC
- 132 PUGH JOHN JR
- 133 PFB INVESTMENTS
- 134 ALBANK ARTHUR J & ELAINE T
- 135 WRIGHT KENNETH N & OTHERS
- 136 SCHWARTZ JEFFREY
- 137 BRADY TOM & KAY
- 138 BRADY RAEFORD THOMAS & KAY
- 139 CARTER JIMMY F & JUDY D
- 140 ATLANTIC COMMERCIAL PROPER
- 141 SWARTZ JERSEY
- 142 ROUTH AVA H
- 143 ROUTH WILLIAM TOMMY
- 144 CLAPP RENTAL PROPERTY F/M

DESIGN PUBLIC HEARING
PROJECT WBS No. 34450.1.1 (R-2536)
F. A. PROJECT NHF-64(19)
RANDOLPH COUNTY
US 64 IMPROVEMENTS - ASHEBORO
PREFERRED ALTERNATIVE 29
ROLL 4 OF 5

DESIGN PUBLIC HEARING
PROJECT WBS No. 34450.1.1 (R-2536)
F. A. PROJECT NHF-64(19)
RANDOLPH COUNTY
US 64 IMPROVEMENTS - ASHEBORO
PREFERRED ALTERNATIVE 29
ROLL 4 OF 5