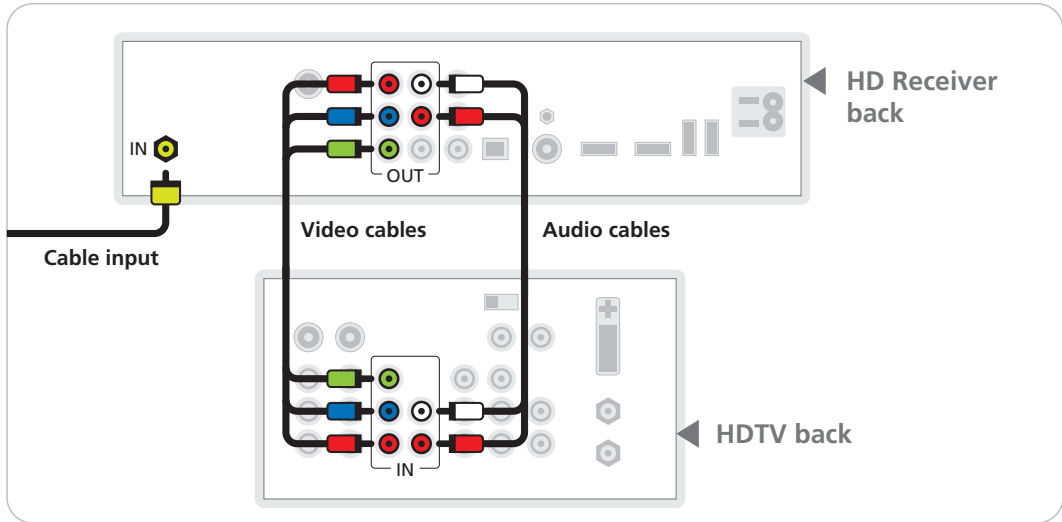


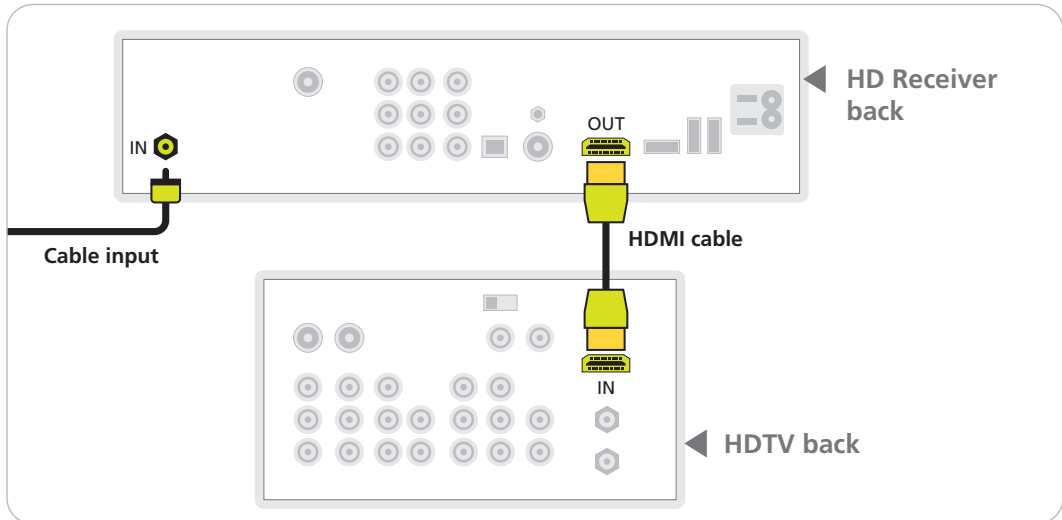
Connecting Your Components

If you have an HD DVR receiver and an HDMI input on your TV, you can use a single HDMI cable instead of a component cable. Both cables will produce the same quality results.

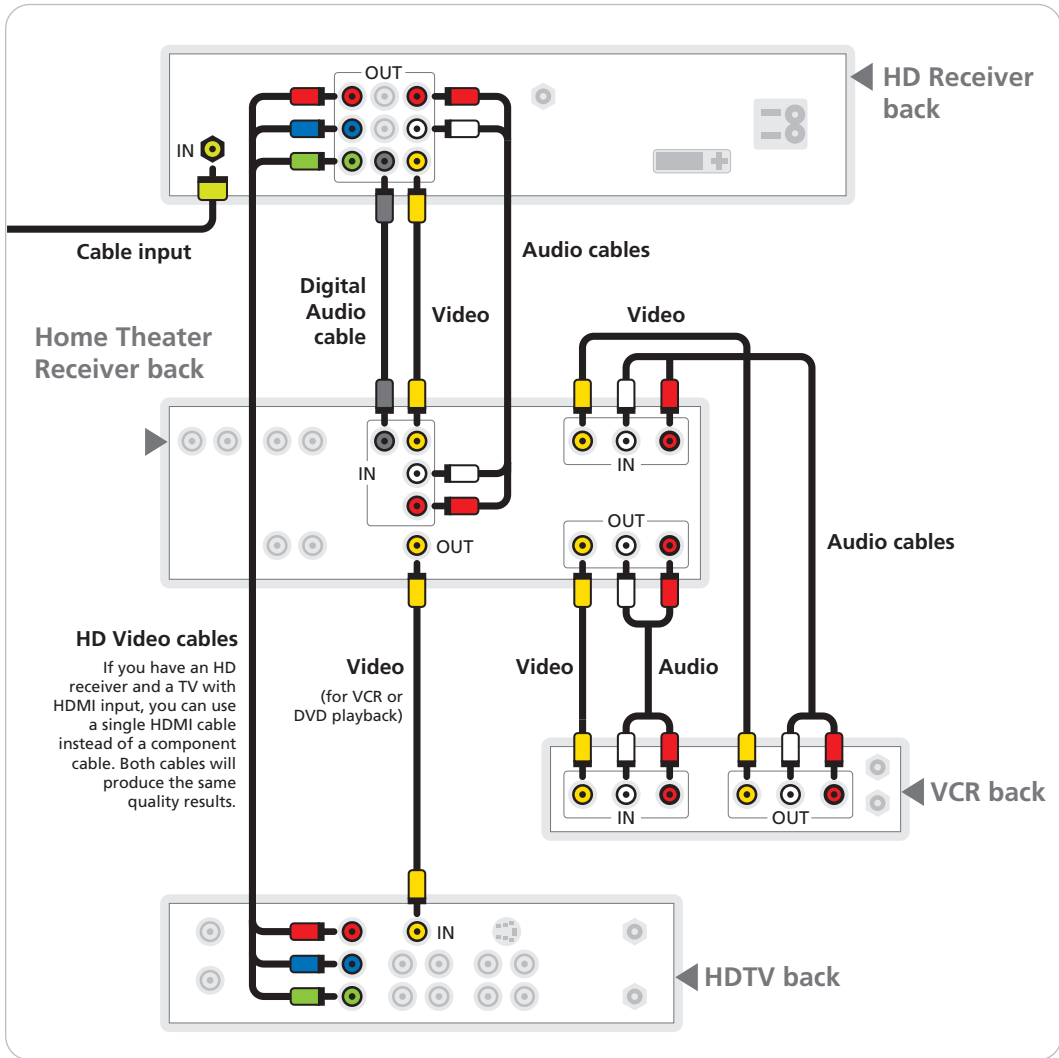
To Connect HD Using Component Cables



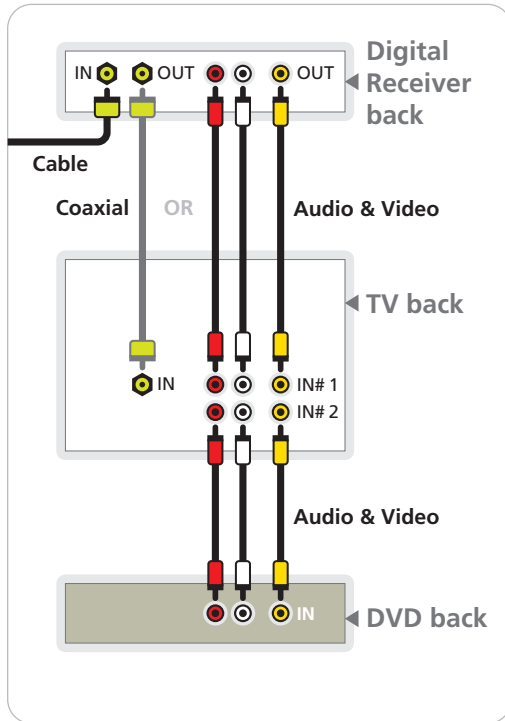
To Connect HD Using an HDMI Cable



To Connect an HD Receiver With Your Home Theater System

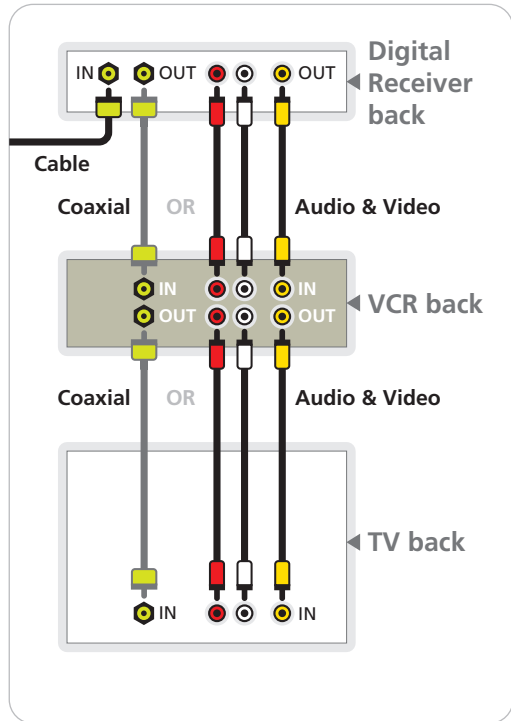


Connecting a DVD player



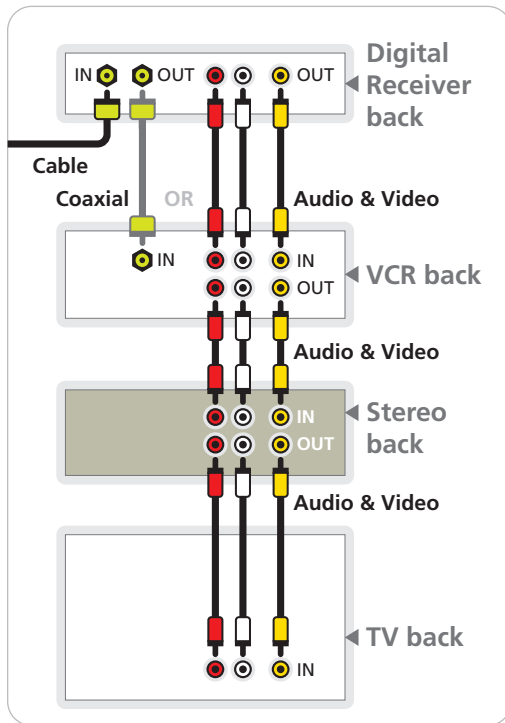
- 1 Connect the coaxial cable from the wall to **IN** of the digital receiver.
- 2 Connect the coaxial cable from **OUT** on the digital receiver to **IN** of the TV or connect the A/V cables from Audio **OUT** jacks on the digital receiver to the Audio **IN** (#1) on the TV. Connect the cables red to red, white to white, and yellow to yellow.
- 3 Connect the A/V cables from Audio **OUT** jacks on the DVD to the Audio **IN** (#2) on the TV.

Connecting a VCR



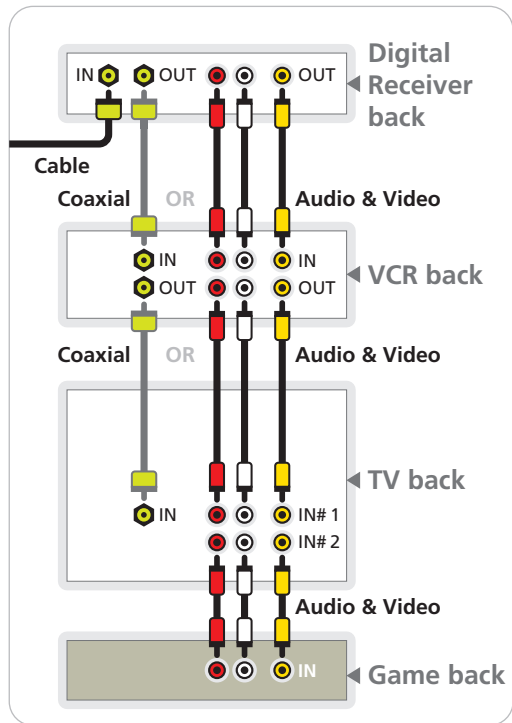
- 1 Connect the coaxial cable from the wall to **IN** of the digital receiver.
- 2 Connect the coaxial cable **OUT** from the digital receiver to **IN** of the VCR or connect the A/V cables from the Audio **OUT** jacks on the digital receiver to the Audio **IN** jacks on the VCR. Connect the cables red to red, white to white, and yellow to yellow.
- 3 Connect the coaxial cable **OUT** from the VCR to **IN** of the TV or connect the A/V cables from the Audio **OUT** jacks on the VCR to the Audio **IN** jacks on the TV.

Connecting a Stereo



- 1 Connect the coaxial cable from the wall to your digital receiver.
- 2 Connect the cable **OUT** from the digital receiver to **IN** of the VCR or connect the audio/video (A/V) cables from the Audio **OUT** jacks on the digital receiver to the Audio **IN** jacks on the VCR. Be sure to connect these cables red to red, white to white and yellow to yellow.
- 3 Connect the A/V cables from the Audio **OUT** jack on the VCR to the Audio **IN** jacks on the back of the stereo.
- 4 Connect the A/V cables from Audio **OUT** on the stereo to the Audio **IN** jacks on the TV.

Connecting a Game System



- 1 Connect the coaxial cable from the wall to **IN** of the digital receiver.
- 2 Connect the coaxial cable **OUT** from the digital receiver to **IN** on the VCR or connect the A/V cables from Audio **OUT** jacks on the digital receiver to the Audio **IN** jacks on the VCR. Connect the cables red to red, white to white, and yellow to yellow.
- 3 Connect the coaxial cable **OUT** from the VCR or connect the A/V cables from Audio **OUT** jacks on VCR to the Audio **IN** (#1) on the TV.
- 4 Connect the A/V cables from Audio **OUT** jacks on game system to the Audio **IN** (#2) on TV.