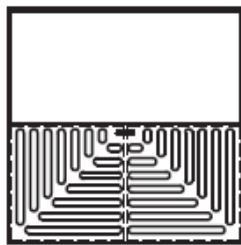
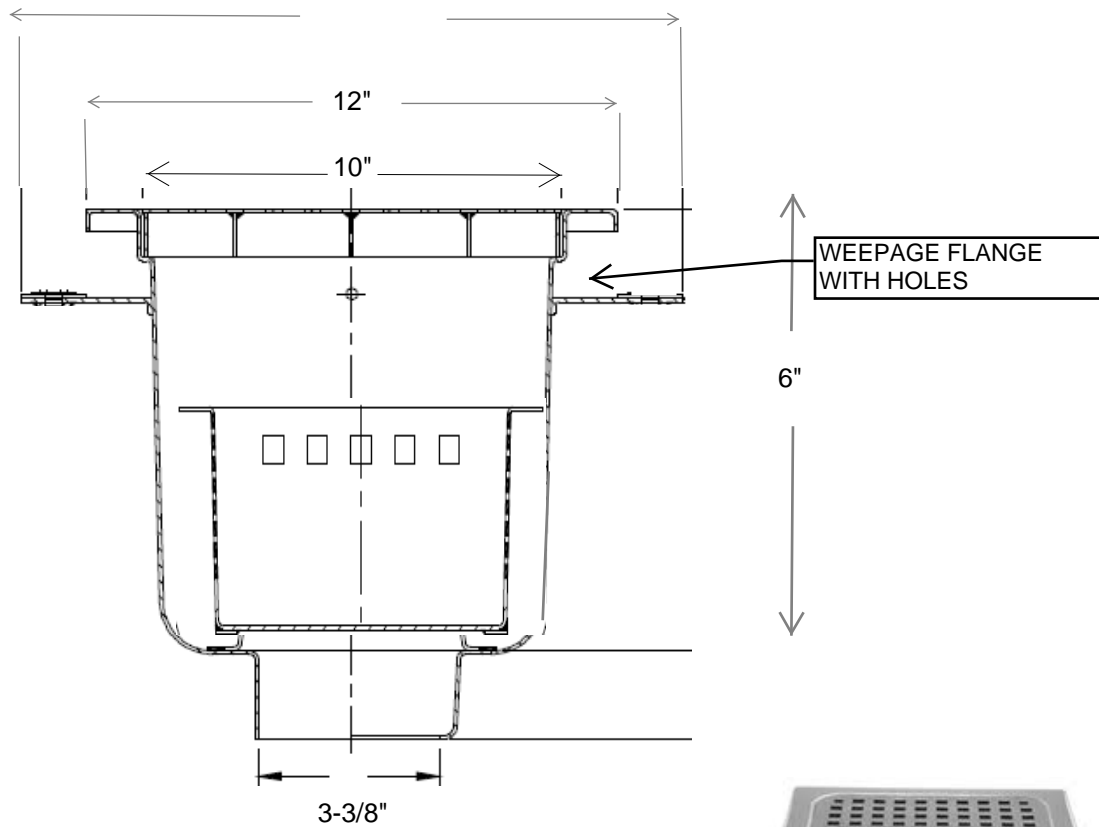


WICKETTS STAINLESS SPECIFICATION

WFS-1212-6-F
SS FLOOR SINK



HG
HALF PERFORATED



Engineering Specification: 16 GA. 304 Stainless Steel 12 X 12 Floor Sink 6" Deep; Interior To Be Radius & Polished. Flange; Sediment Bucket Perforated Half Grate; 2",3",4" Outlet.

Wicketts Stainless, LLC.
2618 San Miguel Dr. Bldg. # 376
Newport Beach, CA 92660
Tel: 951-858-2548
Fax: 951-638-9059
sales@wickettsstainless.com
www.wickettsstainless.com



Approved for Manufacturing

Company: _____

Signature: _____

Print: _____ Date: ____/____/____

NON-CANCELABLE

NON- RETURNABLE