

STANDY

By Ormesa



201 Growth Parkway Angola, IN 46703

U. S. Suggested Retail Price List
Jan-18

Phone: 260-665-2769

Fax: 260-665-3047

Email: iim@mobility-usa.com

www.mobility-usa.com

Quote: _____

P.O. _____

Bill To

Dealer: _____ Contact: _____

Address: _____

City: _____ State: _____ Zip: _____

Phone: _____ Fax: _____

Email: _____ Mark For: _____

Ship To Same as Bill To _____

Dealer: _____ Contact: _____

Address: _____

City: _____ State: _____ Zip: _____

Phone: _____ Fax: _____

Email: _____ Mark For: _____

Standy Features and Specifications

- **Steel Frame** - with sliding parts chromed and the rest painted red with polyester and epoxi-polyester varnishes
- **Table** - removable, adjustable in height with semi-rigid side protection
- **Brown Knee-pads** - adjustable in height, width and depth
- **Brown Back & Chest Support** - padded for added comfort
- **Heel Support** - adjustable in width and depth
- **Footboard** - non-slip aluminum
- **Wheels** - allows the device to be moved from one room to another without the user in place

Standy

Part Number	Description	Price HCPCS
____ STDY-M	Standy Medium	\$3,040.00 E0638
____ STDY-L	Standy Large	\$3,350.00 E0638



Accessories

Part Number	Description	Price HCPCS
____ STDY865-3	Headrest Md requires STDY865-HW	\$225.00 K0108
____ STDY865-4	Headrest Lg requires STDY865-HW	\$225.00 K0108
____ STDY865-HW	Headrest Hardware	\$275.00 E1028
____ STDY857-3	Side Supports for the Pelvis Md (Pair)	\$375.00 K0108
____ STDY857-4	Side Supports for the Pelvis Lg (Pair)	\$375.00 K0108




Client:

PO:

Standy

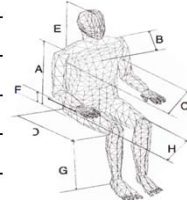
Accessories Continued

Part Number	Description	Price	HCPCS
____ STDY902-3	Adjustable Front Footrest & Straps Md	\$450.00	K0108
____ STDY902-4	Adjustable Front Footrest & Straps Lg	\$450.00	K0108
____ STDY861	Transport Wheels	\$200.00	K0108



Client Measurements

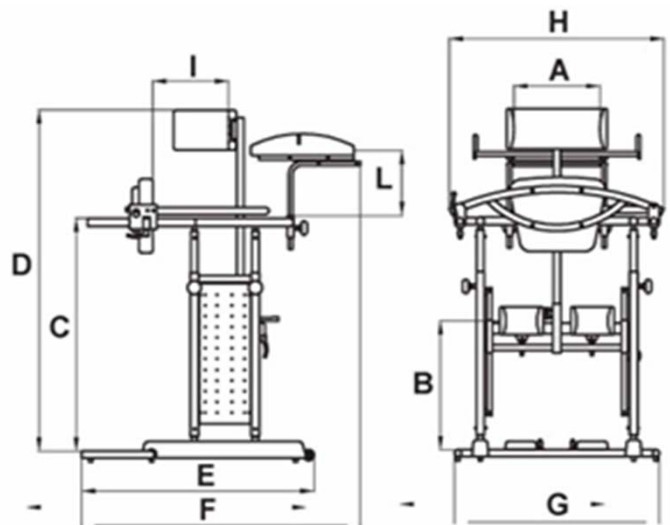
A Back height: _____ F Lower leg length: _____
 B Chest depth: _____ G Head height: _____
 C Chest width: _____ H Arm height: _____
 D Seat depth: _____ Age: _____
 E Seat width: _____ Weight: _____



Dimensions

Measurements in Inches

Standy	Medium	Large
Max	198 lbs	264.5 lbs
Unit Weight	64 lbs	84 lbs
A	12	14.5
B	8 - 20	11 - 23
C	25 - 36.5	28.5 - 44
D	33 - 47	37 - 51
E	30	33
F	35	40
G	27	29.5
H	29	31
I	5 - 11	8 - 12.5
L	4 - 9	5 - 10



Note: All specification and prices are subject to change without notice. Prices listed are only valid if ordering with a stander. The HCPCS codes provided are not intended to be billing or legal advice, rather Innovation In Motion's interpretation of the code definitions. Use of the codes provided does not ensure coverage or payment for the item. For coverage information, verify the policy of the appropriate payer. It is recommended to contact Innovation In Motion with any questions regarding proper ordering of the chair at 1-260-665-2769.