

Specifications

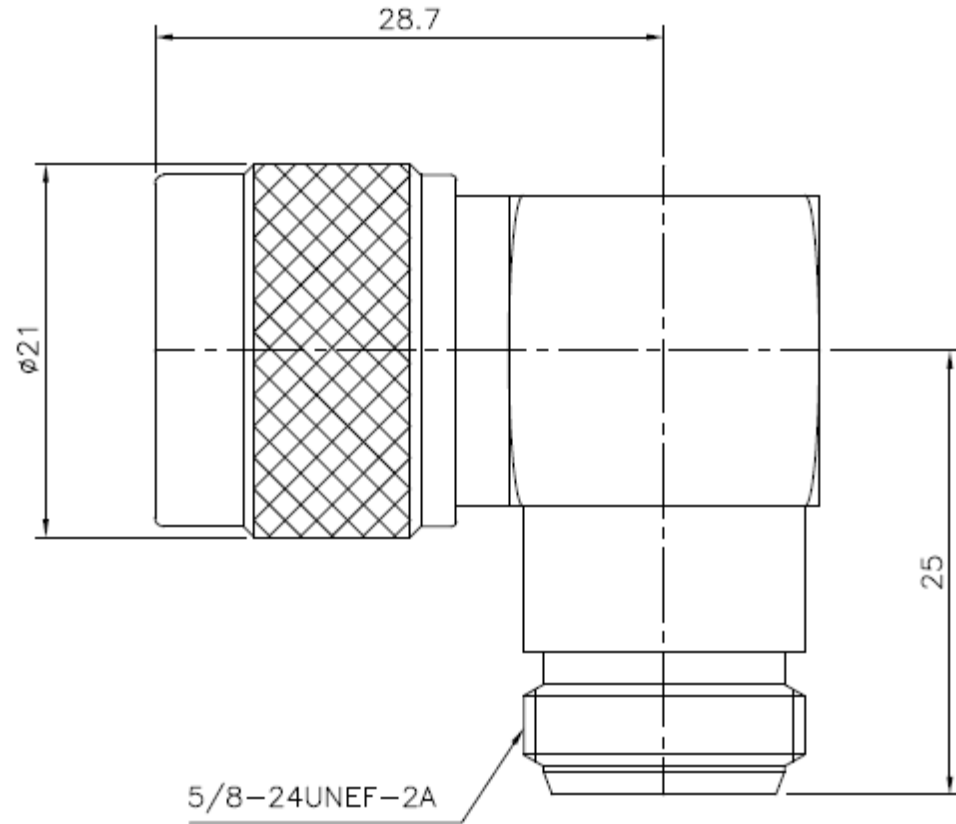
Frequency range: DC-11GHz

Nominal Impedance: 50 Ohm

VSWR: 1 .25:1 max. @ 11 GHz

Oper. Temperature range ; -65C- +125C

RoHS Compliant



Adapter Part

Body

Material

Brass

Plating

Nickel

Center contact

Beryllium Copper

Gold

Insulator

PTFE

N/A



Premier RF
 17 Roslyn CT
 Patchogue, NY 11772
 PH: 631-447-3804
 sales@premier rf.com
 www.premier rf.com

Dimensions in mm	PART NUMBER	PRF-AD2M2FR
03/10/2012	DESCRIPTION	N MALE TO N FEMALE RT ANGLE ADAPTER
APPROVED		
C. Smith		