

November 2022

Pristine

Roller Shade MSRP



Photograph courtesy of Phifer



Proudly Made In America

**PORTER
PRESTON**

Quality Wholesale Window Coverings
Contract • Hospitality • Healthcare • Residential

www.porterpreston.com • Tel: 866-753-1113 • Fax: 203-597-8828 • email: customerservice@porterpreston.com



Quality Wholesale Window Coverings
Contract • Hospitality • Residential

Table of Contents

Page

Measuring & Ordering

| | |
|---|---|
| Selecting the Type of Mounting..... | 1 |
| Fabric Deductions & Light Gaps..... | 1 |
| The Wrap-Do I add the fabric that wraps around the tube?..... | 2 |
| Fabric Tracking & Telescoping..... | 2 |
| Railroading..... | 2 |
| Wide Shades..... | 2 |
| Seams..... | 2 |
| Regular Roll or Reverse Roll?..... | 2 |
| Safety Hold Tension Device..... | 3 |

Shade Options

| | |
|--------------------------------------|-----|
| Clutch and Bracket Selection..... | 4 |
| Roller Shade Control Options | |
| Clutch..... | 5 |
| Spring Assist..... | 5-6 |
| Chain Options..... | 6 |
| Cordless Easy Spring Air..... | 7 |
| Spring Roller Shade..... | 8 |
| Hem Bar Options..... | 8 |
| Skyline Bottom Up Roller Shades..... | 10 |

Roller Shade Valance Closure Options

| | |
|---|-------|
| Soft Valance..... | 11 |
| 3" Uncovered Skyline Fascia Valance..... | 11 |
| 3" & 4" Uncovered Square Aluminum Fascia Valance..... | 12 |
| 3", 4" and 5" Fabric Wrapped Square Fascia Valance..... | 12 |
| Universal 5" Fascia System..... | 13 |
| 7" Square Fascia System..... | 14 |
| Cassette 100, Cassette 120 and Square Cassette 110 | 15-17 |
| Lower Access Fascia/Flap & Hanger..... | 18 |
| 3", 4", 5", 6" Shade Box Valance with Bottom Closure..... | 19 |
| Side Rails, Sill Channel & Zip Tracks..... | 20 |

Motorization

| | |
|---|-------|
| Exterior Screens..... | 21 |
| Somfy Battery Powered Motors & Controls..... | 22-24 |
| Somfy Rechargeable Solar Battery Pack..... | 25 |
| Wired..... | 26-28 |
| Controls..... | 29-30 |
| myLink RTS Smartphone and Tablet Interface..... | 31-32 |
| Rollease Automate Radio Communication..... | 33-35 |

Shade Material

| | |
|---|-------|
| Solar Screens, Translucents, Blackouts..... | 36 |
| The Glow Effect..... | 37 |
| Shade Roll-Up Diameters..... | 37 |
| Roller Shade Fabrication Chart..... | 38 |
| Fabric Specifications..... | 39-40 |

| | |
|-----------|-------|
| MSRP..... | 41-52 |
|-----------|-------|

| | |
|---------------|----|
| Warranty..... | 53 |
|---------------|----|

Selecting the Type of Mounting

Determine whether the roller shade is going to be installed inside the window frame or outside the window frame.

Inside Mount (IM) or Inside Bracket (IB)

Inside mount installations are mounted inside a window frame or some other recessed area.

Measuring Width and Length for Inside Mount

Width: measure across the top, middle, and bottom of the window opening. Using the narrowest dimension, measure to the nearest 1/8". By using the narrowest measurement the shade will operate correctly.

Length: measure the vertical dimension of the left, center and right side. Use the longer measurement, measure to the nearest 1/8". The factory will make the appropriate deductions from your measurements on both the tube and the fabric. Do not make any width or length deductions or additions.

Outside Mount (OM) or Outside Bracket (OB)

Outside mount installations are mounted on the wall, ceiling or on the window molding.

Measuring Width and Length for Outside Mount

Width: measure the width of the window opening from left to right and add as many inches as desired for maximum light gap coverage and privacy. If the shade is to be mounted to trim or framing around the window measure from the trim's outside edge left to right. The factory will make deductions from your measurements on both the barrel and fabric. Once you determine the desired width, round to the nearest 1/8".

Length: measure the window opening from top to bottom and add as many inches as desired to this measurement to allow space for mounting brackets above the opening and enough overlap at the bottom to avoid a light gap. Once you determine the desired height, round it to the nearest 1/8". The factory will make the appropriate allowance for the fabric wrap on the roller tube. If there is trim or framing around the window, measure from the trim's outside edge top to bottom, provided the trim provides the flat space required for an outside mount. If not you can mount the shade to the wall above the trim. In addition, if the window sill protrudes outside the window opening at the bottom of the window measure just to the bottom of the sill.

Confirming Measurements

It is standard to order width first and length second. The most common error in ordering roller shades is reversing the width and length measurements. Always confirm that the width is the measurement that goes across from left to right and that the length is the measurement that goes from top to bottom.

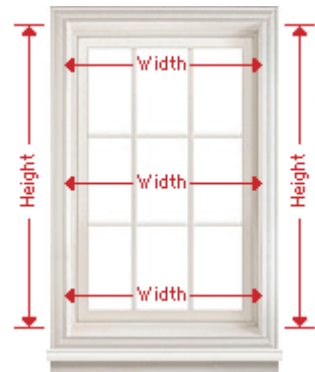
Fabric Deductions & Light Gaps

It is extremely important to note when measuring for roller shades that the actual fabric width of the shade will be less than the window measurement provided. To allow for the space that the shade brackets, clutch or motor, and the idler end take up, the factory must make a deduction so that the finished measurement or bracket to bracket measurement of the shade fits into the width dimension provided.

Please note the below deductions taken by the factory for roller shades without valances.

| Type of Shade Operation | Fabric Width Deduction |
|--------------------------------|------------------------|
| Metal Spring Roller OB | -1" |
| Metal Spring Roller IB | -1" |
| R-Series Clutch 1 1/4" tube OB | -1 1/4" |
| R-Series Clutch 1 1/4" tube IB | -1 3/8" |
| R-Series Clutch 1 1/2" tube OB | -1 3/8" |
| R-Series Clutch 1 1/2" tube IB | -1 1/2" |
| R-Series Clutch 2" tube OB | -1 1/2" |
| R-Series Clutch 2" tube IB | -1 5/8" |
| Skyline Clutch OB | -1 1/4" |
| Skyline Clutch IB | -1 3/8" |

Please Note: When a shade is over 100" in width or length an additional 1/8" is deducted from the fabric width



IB Measuring



OB Measuring

Shade Measurements: (Critical Note)

If a specific fabric width is required, please make it explicitly known that this is fabric width. We suggest that this only be done for outside mounts.

Measure Twice.....Because We Cut Once!

“The Wrap” - do I have to add the fabric that wraps around the tube?

The wrap is the amount of fabric that is added to the window opening length by the factory. The wrap will be added to the window opening size. When measuring the length of the shade measure from the top to the bottom of the window opening. Do not include any extra for the wrap, as this extra material is included automatically by the factory. The standard wrap for motorized and clutch roller shades is 10”. The standard wrap for spring roller shades is 12”.

Fabric Tracking & Telescoping

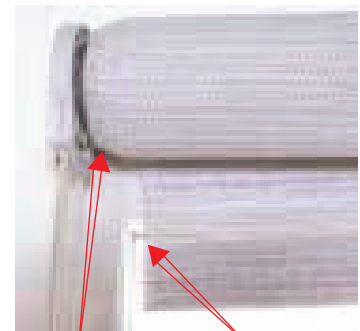
Roller shades that exceed a 3 to 1 length to width ratio meaning the shade is more than 3 times longer than it is wide, may have problems tracking or rolling up straight (think of putting paper towels back on the roll). This tracking issue, commonly referred to as telescoping, is an inherent characteristic of roller shade fabrics and should be explained to the end user.

Railroading

In order to make a shade that is wider than the fabric roll width, the fabric will be railroaded or turned sideways and cut to the width of the shade. Note: when railroaded you may see “curling” on the outer vertical edges of the shade. If curling is objectionable consider using a different wider fabric or battens (See Price Grid 11 page 39)

Wide Shades Shades over 126" may exhibit certain aesthetic characteristics such as smile lines, waves, wrinkling on the tube that could result in permanent damage to the fabric. Please consider speaking to Customer Service about splitting your shade with the use of couplers.

Seams In cases where the fabric is wider *and* longer than the width of the fabric roll, a second piece of fabric will be cut and welded (spliced) to the first fabric piece. A “Roman Look Roller Shade” is a perfect way to hide a seam as Pristine’s joint seams and “Roman Look” seams are practically indistinguishable.



Telescoping and Tracking



Regular Roll



Reverse Roll

Roller Shades... Regular Roll or Reverse Roll ?

Regular Roll

Regular roll shades indicate that the shade fabric rolls off of the back of the roller tube. The shade cloth will be closest to the window with this option. Regular roll shades are industry standard and yield the highest levels of energy conservation because of the shade’s close proximity to the glass.

Reverse Roll

Reverse roll shades indicate that the shade fabric rolls off the front of the roller tube. The shade cloth will be furthest away from the window with this option. Reverse roll shades are most commonly used for the following applications:

- To avoid window obstruction (door handle, etc.)
- To reduce light gaps for corner or bay windows

RollEase®

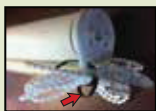
SafetyHold™

Bead Chain or Cord Loop Hold Down Device

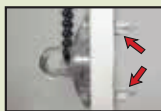


Safety Instructions:

A WCMA 5.2.3 Warning Tag (available from RollEase®) must be fastened to the device prior to shipping.



The SafetyHold3 must be secured to the clutch or headrail to make the shade inoperable without purposeful action of installer.



Use appropriate anchors when installing.

Installation Instructions:

To ensure safety, SafetyHold3 must be installed properly following these five steps.



1 Thread bead chain (or cord) through base and around guide (flat side of base facing guide).



2 Push insert into guide until rounded edge is resting on the bead chain. (For cord, flip insert so opposite side with serrated edge is resting on cord.)



3 Squeeze guide legs while sliding spring over guide completely. (Be sure spring is all the way over the legs of the guide).



4 Slide base, flat side down, over curved end of guide.



5 Using screws provided, attach to wall, allowing some slack for bead chain connectors to slide through easily.

Patented Device:

RollEase offers this patented device for cord loops and bead chain loops. SafetyHold3 complies with the WCMA-ANSI standard 6.5 that requires a hold-down device to make the shade partially inoperable unless the hold-down device is installed.

The hold-down device is designed for continuous cord or bead chain loops that allows stop balls and/or connectors to pass through.

Parts Included:



Test Data:

- Meets WCMA standards for hold down devices.
- Tested to ensure 10 year life of product.



Child Safety

Child safety is of the utmost importance to Porter Preston. That's why we use warning tags and warning labels to highlight the potential hazards of corded window coverings. The tags and labels are attached to every one of our corded window treatment products. Porter Preston suggests choosing cordless alternatives or products with inaccessible cords.

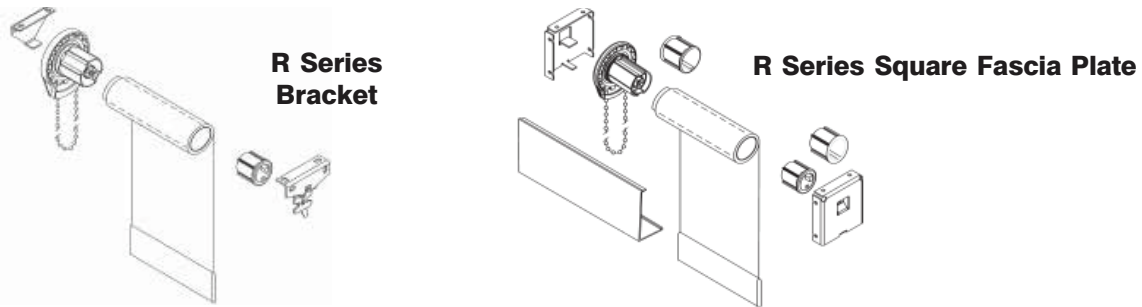
Window Cord Safety

Parents and caregivers should pay close attention to window cord safety and the danger of children becoming accidentally entangled and possibly strangled in the window cords. Strangulation can occur when a child or pet places his or her neck between the exposed lift cord and the fabric on the back side of the shade.

Clutch & Bracket Selection

To determine the clutch and tube used by the factory for a specific shade, refer to the **Roller Shade Fabrication Chart** on page 38.

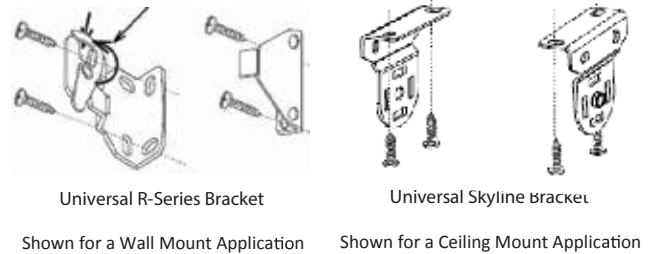
R Series clutch and pin colors are black & white ♦ R Series bracket colors are zinc, black and white ♦
R Series fascia bracket colors are gray, black, bronze, vanilla and white ♦ R Series square fascia face plate colors are silver, black, bronze, vanilla and white



Skyline clutch and pin colors are black, brown, cream, grey, vanilla and white ♦ Skyline bracket colors are silver, black and white ♦ Skyline bracket cover colors are black, brown, cream, grey, vanilla and white ♦
Skyline fascia bracket colors are black, brown, grey, vanilla and white



Skyline Hardware



Universal R-Series Bracket

Universal Skyline Bracket

Shown for a Wall Mount Application

Shown for a Ceiling Mount Application

| Clutch | Bracket | Ceiling Mount Installation | | Wall Mount Installation | |
|------------------|-----------|----------------------------|--------|-------------------------|--------|
| | | Projection | Height | Projection | Height |
| R-8 | RB360 | 1 7/8 | 2 7/8 | 2 3/8 | 2 3/8 |
| R-8 | RB360 | 1 7/8 | 3 3/8 | 2 7/8 | 2 3/8 |
| R-16 | RB560 | 2 5/8 | 3 1/8 | 2 15/16 | 3 1/4 |
| R-16 | RB560 | 2 11/16 | 4 | 3 7/16 | 3 1/4 |
| R-24 | RB580 | 3 9/16 | 4 5/8 | 3 7/8 | 4 5/16 |
| SL-10 | SLB660 | 2 1/4 | 3 | 2 5/8 | 2 3/8 |
| SL-15 | SLB660 | 2 1/4 | 3 1/8 | 2 3/4 | 2 5/8 |
| SL-20 | SLB660 | 2 3/4 | 3 1/4 | 3 | 3 1/8 |
| SL-10 | SLB680 | 2 3/16 | 3 1/2 | 3 1/8 | 2 3/8 |
| SL-15 | SLB680 | 2 1/4 | 3 5/8 | 3 1/4 | 2 5/8 |
| SL-20 | SLB680 | 2 11/16 | 3 3/4 | 3 1/2 | 3 1/8 |
| R-Series/Skyline | 3" Fascia | 3 | 3 | 3 | 3 |
| R-Series/Skyline | 4" Fascia | 4 | 4 | 4 | 4 |
| R-Series/Skyline | 5" Fascia | 5 | 5 | 5 | 5 |

*Please note: Measurements for Ceiling Mount Installation take into account the width of the clutch as part of the overall projection but does not take into account the roll diameter which may be greater. The height is the distance from the foot of the bracket to end of the mounting bracket.

*Please note: Measurements for Wall Mount installation take into account the distance from the foot of the bracket to the end of the clutch for the overall projection but does not take into account the roll diameter, which may be greater. The height is determined by the overall height of the clutch. (All other dimensions are overall net dimensions)

Roller Shade Control Options

Pristine Roller Shades can be operated by either standard clutch, spring assist, spring roller or motorized options.

Standard Clutch Roller Shade

This roller shade is operated manually with a self-lubricating clutch mechanism. With a continuous loop control chain, shades can be rolled up, exposing a room to sunlight, or down to filter or block out the sunlight from entering the room.

Outdoor Clutch: Featuring Stainless Steel interior components and warranted for 10 years(See Price Grid 11 Pg 44)

Galaxy Clutch: An option other than a Spring Assist is a Galaxy Clutch. These are gear reduction clutches that will reduce the pull forces required to operate larger shades.

Caution:

Most clutches operate on a 1:1 gear ratio: meaning you pl chain 2 feet the shade moves 2 feet. By nature a Galaxy clutch, in order to reduce the pull force, will have up to 2 feet of chain pull to 1 foot of shade movement. As a result a chain stop cannot be used.

Two Models of Galaxy Clutches are available:

G-200, for 1 1/2" & 2" tube
G-400, for 1 1/2", 2", 2 1/2" & 3" tube

MSRP

Price Grid 11 pg 44
Price Grid 11 pg 44

Spring Assist

When shades get larger, the pull force becomes greater. Pristine offers three different clutches with spring assists to help:

Galaxy 200 with Spring Assist: no ball stops, works with fascia and cassette

Galaxy 400 with Spring Assist: no ball stops, no fascia nor cassette option avail

Skyline 30 lb clutch with Spring Assist: ball stops can be used, no fascia, no cassette option

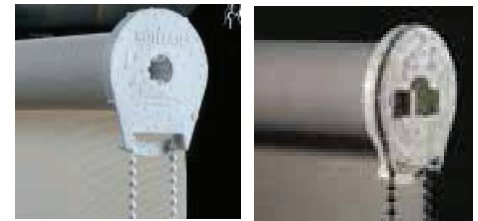
See Price Grid 11 for pricing-Page 44



Rollease Skyline Clutches



R Series Clutches Galaxy Clutches



Outdoor R Series Clutch Skyline Outdoor Clutch



Galaxy Geared Spring Assist

Chain Options

Nickel Plated Steel (standard)

White, Off-White, Clear or Black Plastic

Surcharge Applies. Price Grid 11 pg 44

Chain Options:

Nickel Plated Steel (standard)

White, Off-White, Clear or Black Plastic

Surcharge applies: Price Grid 11, pg 44

- Dungeon
- Gun Metal
- Aluminum
- Yellow Brass
- Mystic Red
- Medieval Brass
- Stainless Steel
- Antique Brown

CHAIN FINISHES



B COUPLINGS



OPEN BALLS



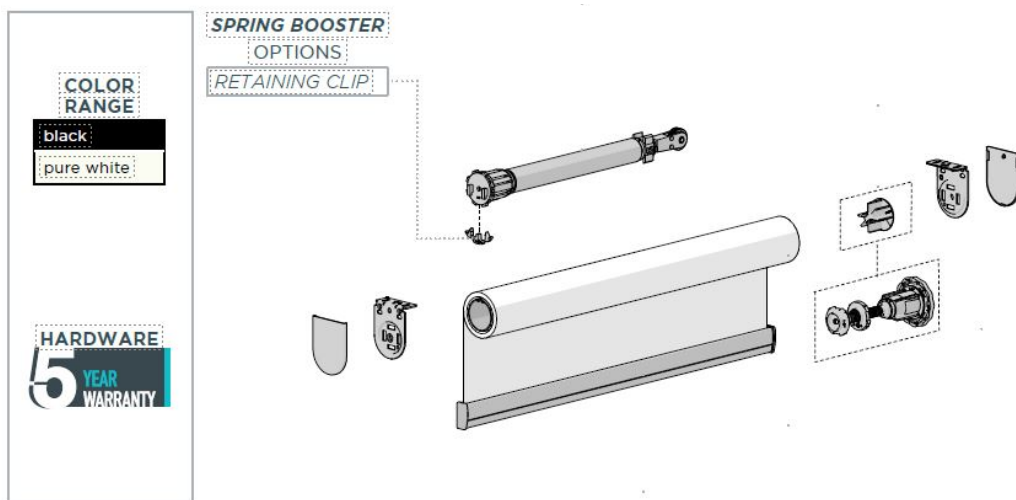
EASY SPRING AIR



The new Easy Spring Air system is a lightweight, child-safe, balanced shading system that allows users to easily set a shade in a desired position. This system is compliant with WCMA, Health Canada rulings, and the proposed CPSC regulations.

Compatible with the universal Skyline bracketing system, Easy Spring Air can easily replace an existing clutch system by only replacing the controls, leaving the fabric and brackets in place. Four control sizes allow shades to be made as narrow as 16".

The tension lock will keep the shade from losing tension during manufacturing, shipping, and installation. Once the shade is installed, fine-tune the tension with the tension adjuster without removing the shade from the brackets.



Spring Roller Shade

This roller shade is operated by a heavy-duty spring mechanism. All shades between 15" and 61" wide will be made with a 1" diameter metal tube. All shades between 61 1/8" and 97" will be made with a 1 3/8" diameter metal tube. Brackets are universal. By pulling on a handle or draw cord attached to the hembar, shades can be rolled up, exposing a room to sunlight, or down to filter or block out the sunlight from entering the room.

| | |
|-----------------|------|
| Minimum Width: | 15" |
| Maximum Width: | 97" |
| Minimum Height: | 18" |
| Maximum Height: | 108" |

How to adjust the spring tension on a roller shade

The tension on the spring of your roller shade is already preset. If you wish or need to make any further adjustment, follow below noted procedures:

A: To Increase lifting power:

- 1) With the shade in the window, pull the shade part way down
- 2) Remove it from the mounting brackets and roll it half-way or so up
- 3) Replace it in the brackets of the windows and try it for tension and length that it will go down without being over-taught (unable to roll down anymore). Do not force it if it does not want to move downward as it is now over-wound - instead now try decreasing the tension as follows:

B: To Decrease lifting power:

- 1) With the shade in the window, roll the shade all the way up
- 2) Remove it from the mounting brackets and roll it half-way down or so
- 3) Replace it in the brackets of the windows and try it for proper lift & drop tension and travel distances top to bottom.

Note: If the shade will not travel all the way to the top, then the spring tension needs to be increased - follow procedure A.

If the shade will not travel all the way to the window sill or beyond, then the spring tension needs to be decreased - follow procedure B.

Hem Bar Options

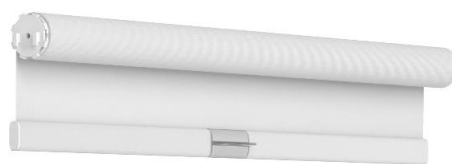
Heat Sealed Hem Bar: This is Pristine's standard hem bar. A weighted aluminum weight bar is inserted into a 1 1/2" heat sealed pocket. Sealed Ends are the standard default. If open ends are preferred, please advise.

Fabric Wrapped Hem Bar: Available in Anodized, White and Black. Fully Wrapped, Half Wrapped or Fully Exposed. Handle included for cordless Shades, Optional Pull Hook available for hand to reach shades.

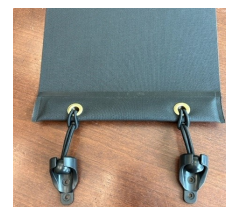
Grommeted Hem Bar with Hold Downs: available for exterior shades which require further security with a hold down system.



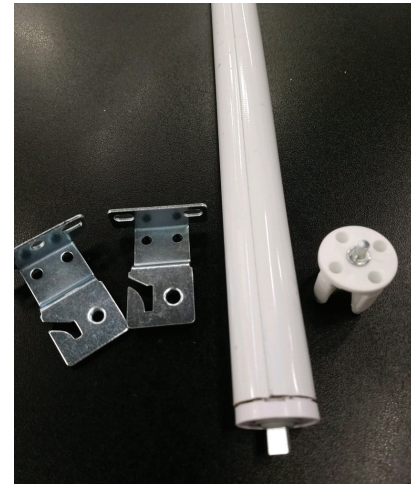
Heat Sealed Hem Bar



Fabric Wrapped Hem Bar



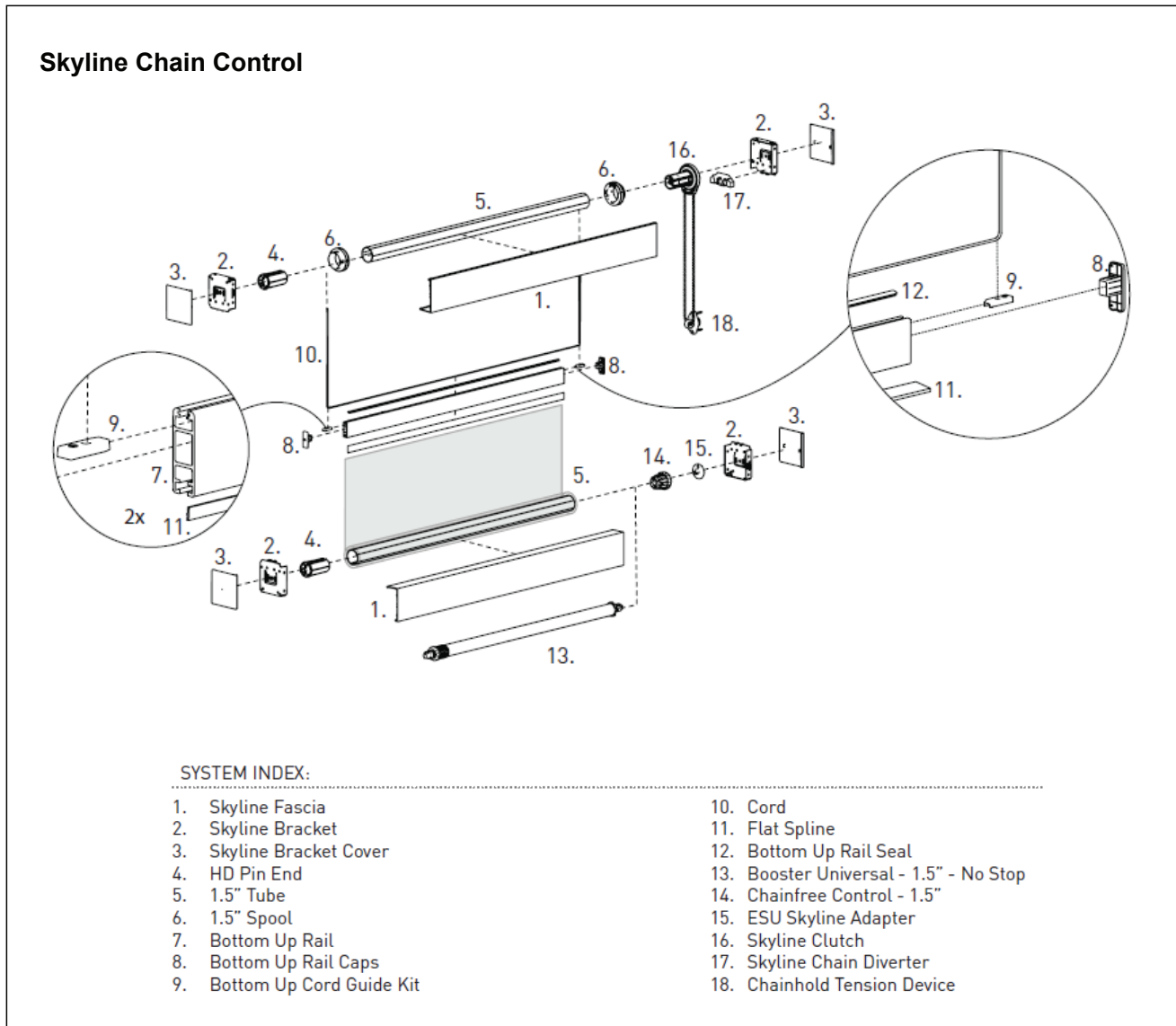
Grommeted Hem Bar
with Hold Downs



Skyline Bottom Up Roller Shades

Bottom up shades let the light in from the top of the window while shading the bottom section for privacy. This shade utilizes Skyline hardware combined with an innovative cord adjusting system to ensure a self-leveling hem bar. A geared clutch makes the system operation effortless.

See Price Grid 11, Pg 44 for MSRP



Roller Shade Valance Enclosure Options

Soft Valance

The soft valance is made out of the same fabric as the roller shade. The fabric valance has both a top and bottom pocket. The top pocket has a piece of wood inserted and the bottom pocket contains the same metal slat in the pocket as the roller shade. Screw through the top pocket and wood to mount the soft valance. The standard length is 6". It can be made any length up to 9" without a surcharge.

Roll: Available for regular roll and reverse roll shades

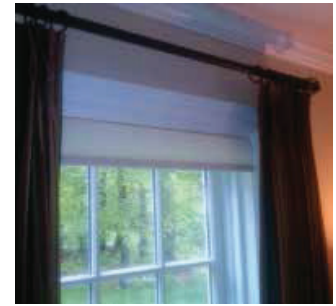
Color: Valance fabric matches shade fabric

Mount: Inside only (it does not have returns)

Maximum Width: 216"

See Price Grid 11

Page 45



Soft Valance

3" Uncovered Skyline Fascia Valance

The Fascia system is a decorative cover compatible with Rollease Acmeda™ roller shade hardware systems. The system is multi-functional in both mounting and finished appearance.

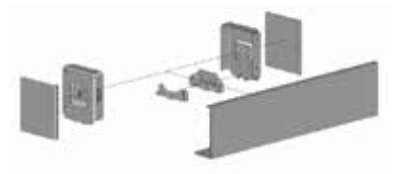
Roll: Available for Regular Roll Only

Color: White, Vanilla, Bronze, Black & Anodized

Mount: Inside or Outside

Maximum Width: 144"

See Price Grid 11 Page 44



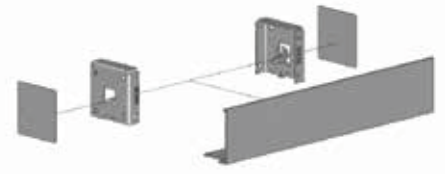
Skyline 3" Fascia

Roller Shade Valance Enclosure Options

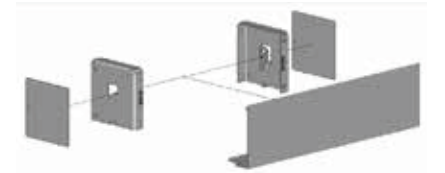
3" & 4" Uncovered Square Aluminum Fascia Valance

The 3" & 4" Square Aluminum Fascia Valance is a "L" shaped aluminum extrusion that covers the front and bottom of the roller. The valance option locks to its brackets with snap-in fittings. The roller is concealed behind this valance and the bottom of the shade drops from the back of the valance when lowered.

Roll: Available for regular roll only
 Color: White, Vanilla, Bronze, Black & Anodized
 Mount: Inside or Outside
 Maximum Width: 144"
 See Price Grid 11
 Page 44



3" R Series Square Fascia



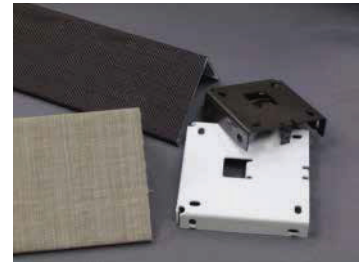
4" R Series Fascia

3", 4" & 5" Fabric Wrapped Square Fascia Valance

The 3" & 4" Fabric Wrapped Square Fascia Valance are the Square Aluminum Fascia Valances listed above, but include fabric matching the roller shade wrapped around the aluminum extrusion. This innovative upgrade option provides a warm look for any room. As described above with the Square Fascia Valance, this option covers the front and bottom of the roller and locks to its brackets with snap-in fittings. The roller is concealed behind this valance and the bottom of the shade drops from the back of the valance when lowered.

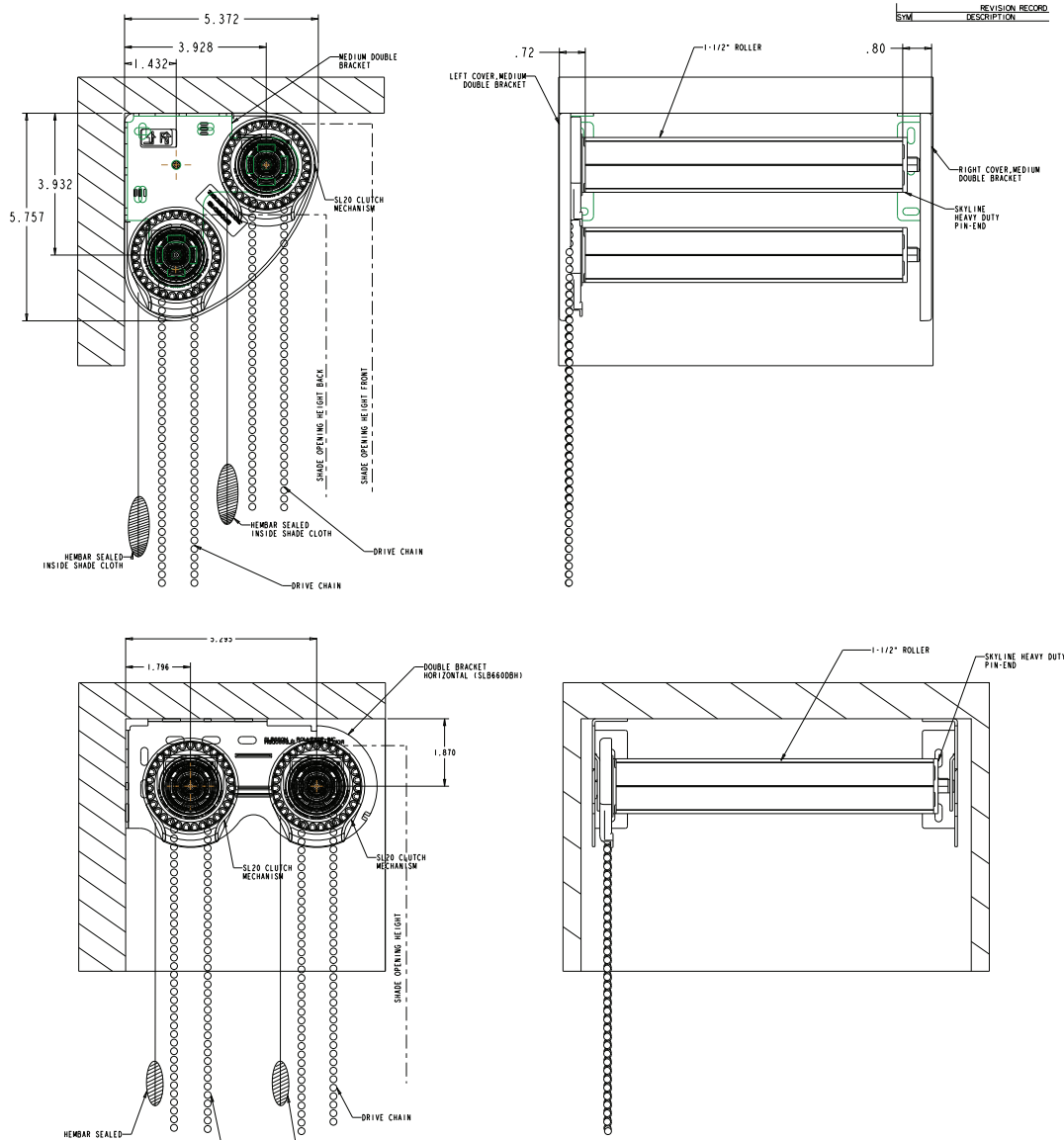
Roll: Available for regular roll only Valance
 Color: fabric matches shade fabric
 Mount: Inside or Outside
 Maximum Width: 144"

See Price Grid 11
 Page 44



3" & 4" Fabric Wrapped Fascia

Universal 5" Fascia System

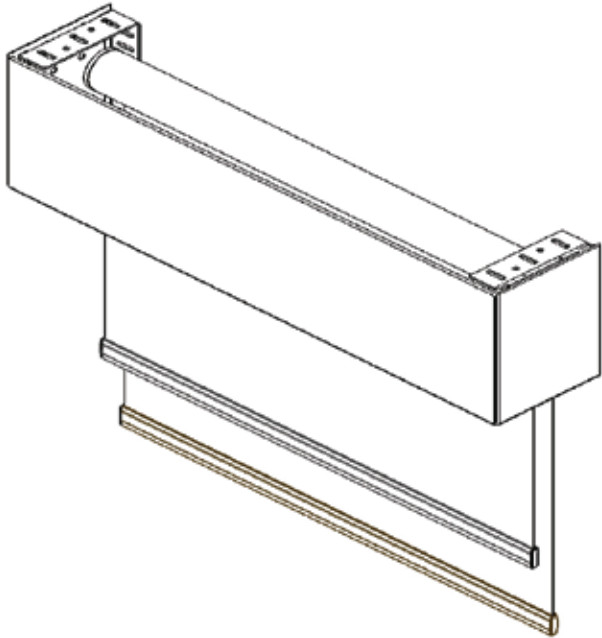


The modularity of the Universal 5" Fascia System offers a variety of different motorized or manual configurations. It also –

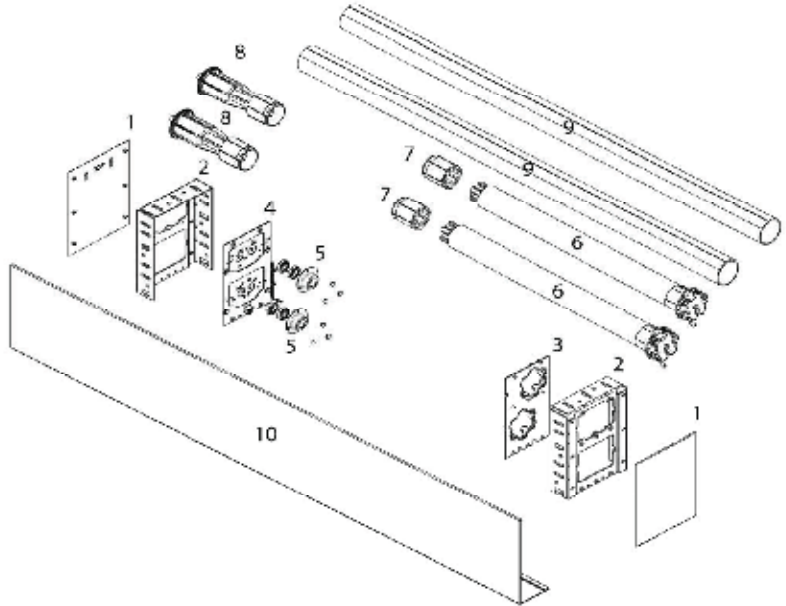
- Can be configured for a single large shade (4 ¾" diameter fabric roll) or dual shades (2 ¾" fabric roll),
- Eliminates notching of fascia using chain diverters and guides,
- Minimizes fascia light gap across the header as the top of the fascia is even with the top of the brackets,
- Accepts standard and reverse roll shades easily with reversible mounting fascia,
- Blocks light entering from behind the shades with optional mount of second length of fascia.

The Universal 5" Fascia System is available in white, anodized and bronze finishes and compliments the 3" and 4" Fascia and the Cassette 120. See Price Grid 11 Page 44

7" Square Fascia System



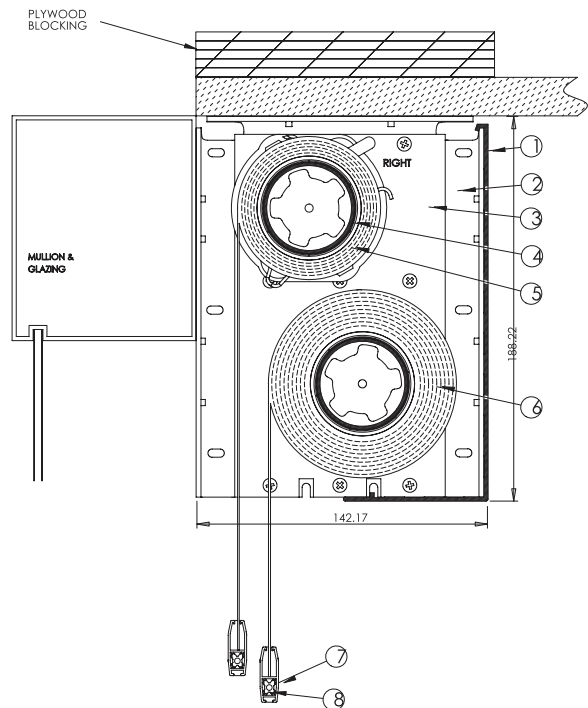
7" Square Fascia System with Somfy LT50 Motor



ZMC 7" Motorized Roller Shade

- SPECIFICALLY DESIGNED FOR ALL INDUSTRIAL AND COMMERCIAL APPLICATIONS THE 7" FASCIA SYSTEM PROVIDES A CLEAN AND MODERN APPEARANCE TO ANY LOCATION
- COMPATIBLE WITH SOMFY LT50 MOTOR ONLY AVAILABLE WITH INTERMEDIATE BRACKETS ALSO
- THE 7" DUO SHADE BRACKETS ALLOWS BOTH FILTERING AND ROOM DARKENING
- COMBINED WITH SIDE CHANNEL TO COMPLETELY ELIMINATE LIGHT PENETRATION WHEN CLOSED
- AVAILABLE IN WHITE, BRONZE & ANODIZED
- LENGTHS ARE 16 FEET

See Price Grid 11 Page 44



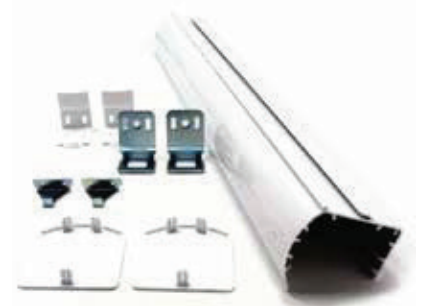
- NOTES:
1. 7" EXTRUDED ALUMINUM FASCIA
 2. 7" FASCIA BRACKET
 3. INSERT PLATE FOR MOTOR
 4. 2" EXTRUDED ALUMINUM MOTORIZED TUBE
 5. BLACKOUT FABRIC
 6. FABRIC: 3%, 5%, 10% OPENNESS
 7. EXTRUDED ALUMINUM SLIM BOTTOM BAR
 8. SLIM BOTTOM BAR END CAP



See Price Grid 11 Page 45
Cassette 100 & Cassette 120

Here at Porter Preston we offer one of the finest finishing options for Custom Roller Shades our Cassette 100 & 120 Systems. Here are some of the advantages for using these products:

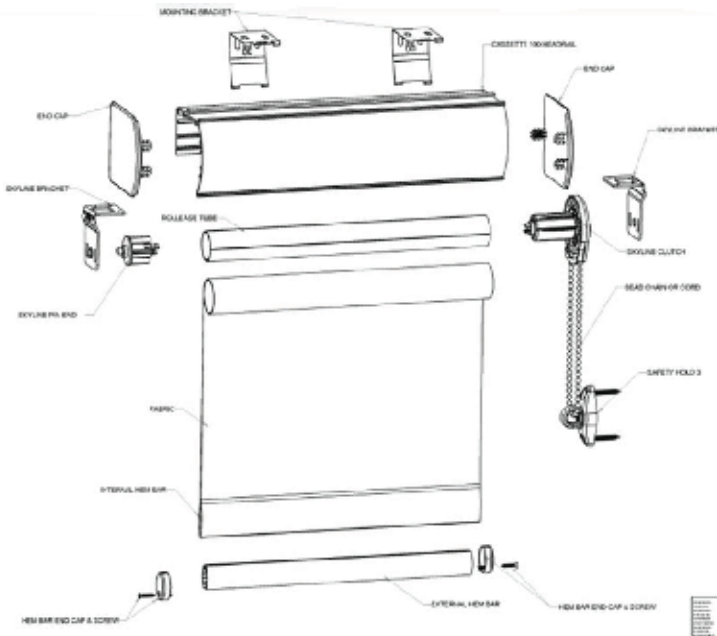
- Three headrail sizes afford greater range of drop length possibilities and use of thicker fabrics
- Quick and easy installation
- Sleek look accommodates upscale commercial needs and affords greater residential appeal
- Sleek, curved design makes sunscreen fabrics more adaptable to residential use
- Intermediate bracket allows two shades in one headrail
- Available in five of the most popular colors: Anodized, White, Vanilla, Bronze & Black.



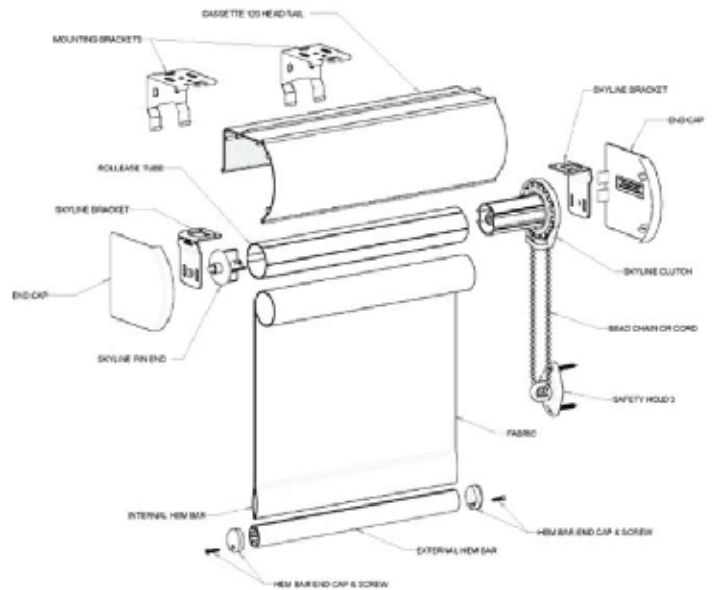
Cassette 100

| Description | Systems Available | Compatible Clutches | Max Tube Diameter | Max Roll Diameter | Max Window Width | Colors Available | Mounting Brackets |
|--------------|-------------------|----------------------------|-------------------|-----------------------|------------------|--|-------------------|
| Cassette 100 | R-Series | R8, R16, RGAL RGALH 200 | 2 in (50.8mm) | 2.5 in (63.5mm) | 16 ft (4.88m) | Anodized, White, Vanilla, Bronze, Black | HDBKT2 |
| Cassette 120 | R-Series | R8, R16, RGAL RGALH 200 | 2 in (50.8mm) | 2.870 in (72.90mm) | 16 ft (4.88m) | Anodized, White, Vanilla, Bronze, Black | V2BKTXX |

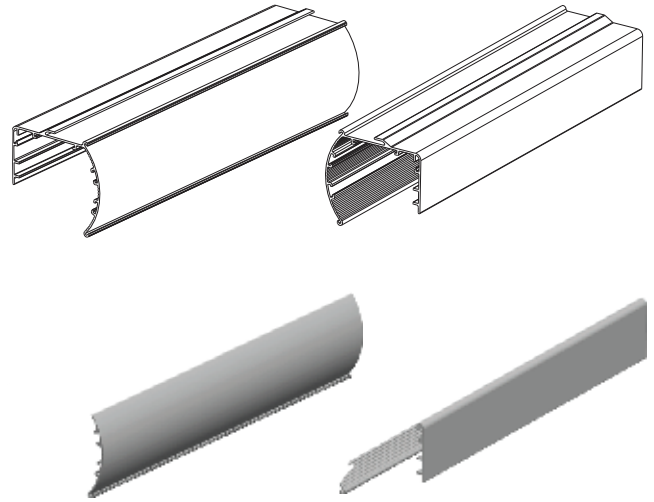
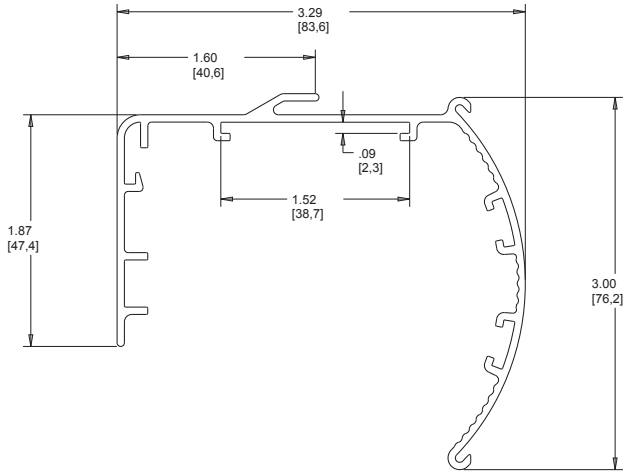
Cassette 100



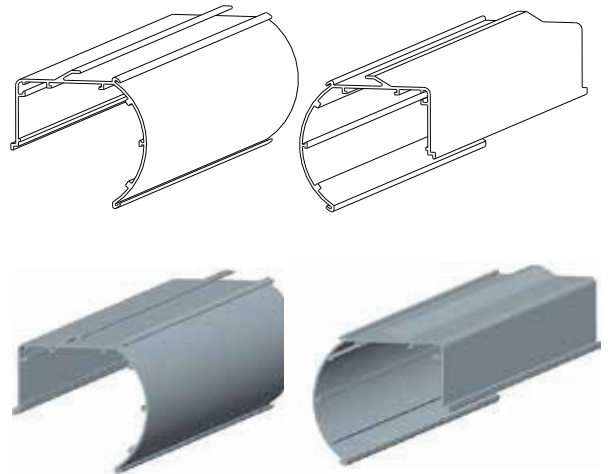
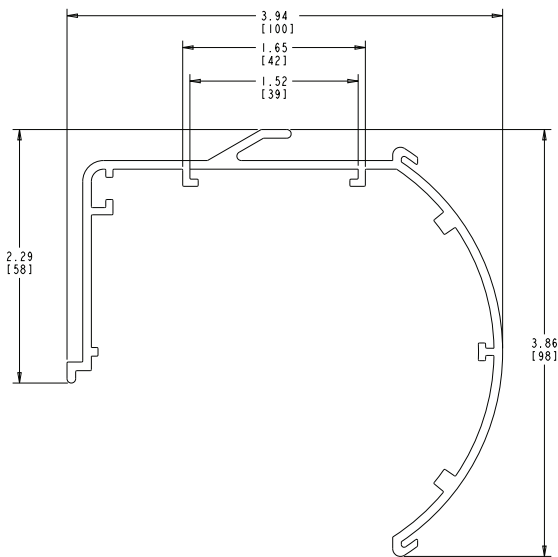
Cassette 120



Headrail Cassette 100



Headrail Cassette 120



Square Cassette 110

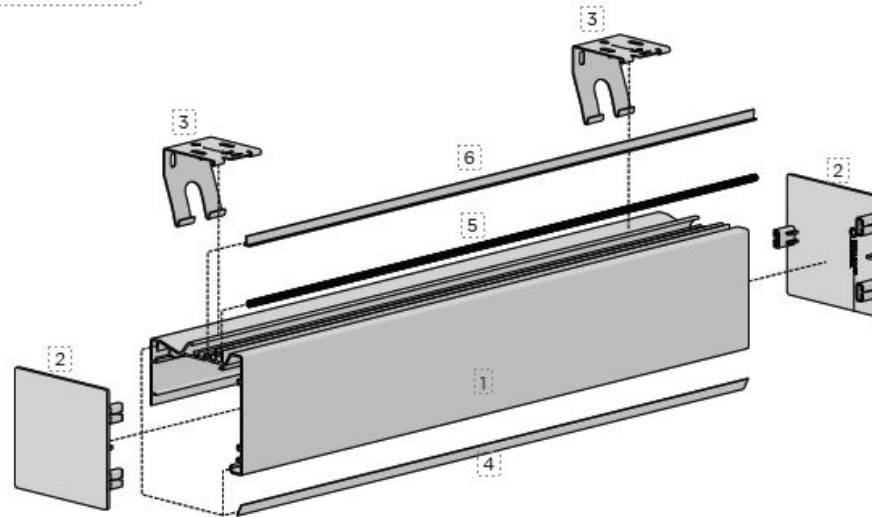
Achieve a finished look for your roller shade by adding a sleek, durable one-piece cassette that is just the right size. The Square Cassette 110 is an addition to the highly popular cassette family with a square and contemporary appearance. Complete your room design by fabric wrapping the Square Cassette 110 and add a fabric brush to further reduce light gaps. We have developed a new and intuitive end cap design with a secure fit for ultimate durability. With the new Square Cassette 110, your window coverings will appear even neater, refined, and safer from office to home.

Aesthetic Features

- Elegant Square Finish
- Fabric Wrap Option with Spline Function

Installation Benefits

- One piece design
- Flush- it color coded end-caps



Available Colors



Lower Access Fascia / Flap & Hanger

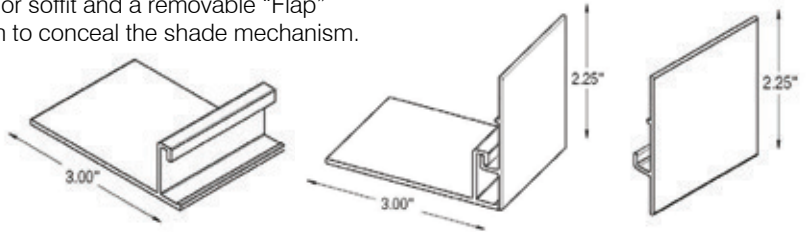
The lower access fascia/flap & hanger is an aluminum extrusion that is installed at the bottom of a dry soffit to conceal the bottom of the roller shade. One should drill the mount strip wall hanger in the front of the dry wall soffit (pocket). For Pricing See Price Grid 11 Page 45

3" Lower Access Fascia / Flap and Hanger

Flap and Hanger provides a simple solution for concealing either a manual or motorized roller shade from viewers beneath the system. Flap and Hanger is a two-piece unit consisting of a "Hanger" which is mounted to the inside face of a gypsum pocket or soffit and a removable "Flap" which attaches to the hanger to provide a 3" return to conceal the shade mechanism.

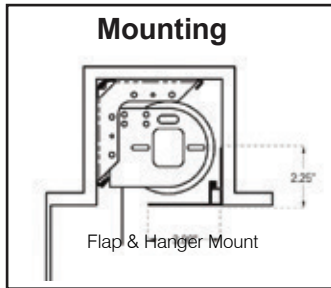
Specifications

Material: 0.063" Extruded Aluminum
Color: White, Bronze and Anodized
Length: Available in custom lengths up to 150"

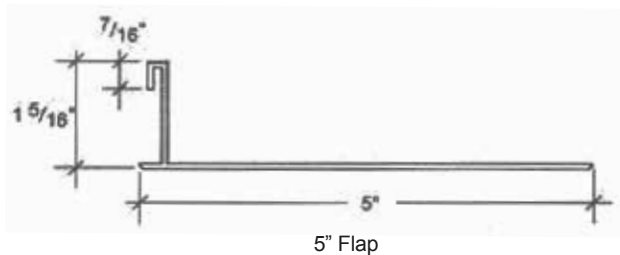


Roll: Available for regular roll and reverse roll shades
Color: White
Mount: Inside only
Minimum Width: 18"
Maximum Width: 240"

See Price Grid 11 Page 45



5" Lower Access Fascia / Flap and Hanger



Roll: Available for regular roll & reverse roll shades
Color: White & Anodized
Mount: Inside or Outside
Minimum Width: 12"
Maximum Width: 192"

See Price Grid 11 Page 45

3", 4", 5", 6" Shade Box with Bottom Closure Plate



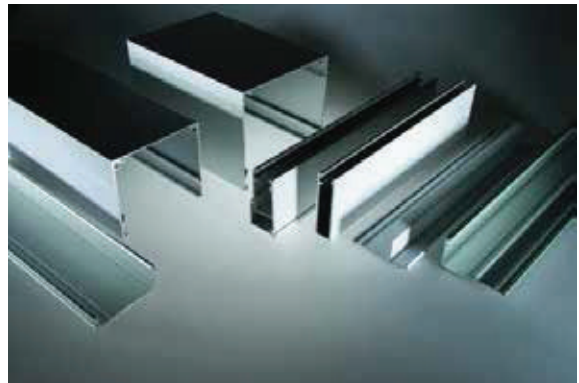
CONTRACT

Contract Series

QUICK REFERENCE SHEET

Widest variety of clutch options featuring award-winning and patented technology advancements that provide the smoothest and easiest pull forces in the industry.

- Aluminum Pockets in 4 sizes
- Bottom Closures and Black-out Side and Bottom Channels
- Multiple Tube and Bracket sizes
- Manual and Motorized options
- Quality design for fast, cost-effective and trouble-free installation



See Price Grid 11 Page 45

| Item Description | Compatible Skyline Clutches | Compatible R-Series Clutches | Max Tube Diameter | Side Channels Available | Max Roll Diameter | Max Roll Diameter w/Bottom Closure | Max Window Width | Colors Available |
|------------------|-----------------------------------|------------------------------|-------------------|-------------------------|--|------------------------------------|------------------|------------------|
| 3 Inch Pocket | N/A | R8, R16 | 2 in (50.8mm) | No | 2.80 in (71.12mm) | 2.4 in (60.96mm) | 16 ft (4.88m) | Anodized, White |
| 4 Inch Pocket | SL15, SL20, RGALH, SL30, RGAL400H | R16, R24 | 2 1/2 in (63.5mm) | Yes | 3.75 in (95.25mm) 3.70 in (93.98mm) | 3.4 in (86.36mm) | 16 ft (4.88m) | Anodized, White |
| 5 Inch Pocket | SL15, SL20, RGALH, SL30, RGAL400H | R16, R24, RGAL, RGAL400 | 3 1/4 in (82.6mm) | Yes | 4.75 in (120.65mm) | 4.75 in (120.65mm) | 16 ft (4.88m) | Anodized, White |
| 6 Inch Pocket | SL20, RGALH, SL30, RGAL400H | R16, R24, RGAL, RGAL400 | 3 1/4 in (82.6mm) | Yes | 5.70 in (144.78mm) | 5.5 in (139.7mm) | 16 ft (4.88m) | Anodized, White |

*For motor selections, see www.rollease.com/systems/roller-shades/motorized-solutions and click on Contract/Pocket Systems

Side Rails, Sill Channel

Side Rails & Sill Channels are aluminum extrusions used to eliminate light gaps at the left, right & bottom edges of the shade.

SIDERAILS are used (primarily) for light control on the side and bottom of the shades. Side Rails are available for both inside and outside mount, one piece and two piece and have caps to finish top and bottom edges. Available in the following colors: White, Bronze, Black, Anodized and Ivory.

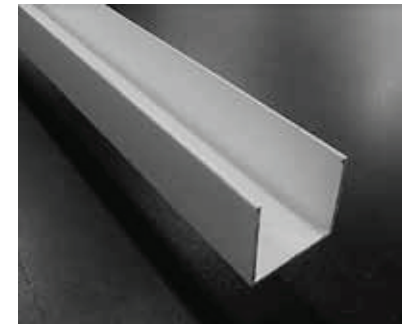
See Price Grid 11 Page 45



Side Rail

Sill Channel is a more cost effective option used on the sill to control light bleed from the bottom of the shade.

See Price Grid 11 Page 45



Sill Channel

MOTORIZED EXTERIOR SCREENS

Enhance your outdoor experience with motorized retractable screens. Solar and insect screens available in spans up to 30'. Control your screens effortlessly with a hand-held remote or automation system. Motorized Screens provide privacy, insect protection & weather protection. Solar and insect screens available. **Call for a Quote.**



MOTORIZED SCREENS



Weather Protection

Block heat and harmful UV rays

Insect Protection

Breezes blow through while bugs and insects stay out

Privacy

Relax in comfort without the worry of who's watching



Lithium-Ion Rechargeable Battery RTS Motors by SOMFY:

Somfy Li-ion Wirefree Motor Types-Batteries are embedded within the tube!

See Price Grid 12 Page 46-47 for Pricing

| | | | |
|---|---|--|--|
|  |  |  |  |
| Motor | Roll Up 28 Lithium-Ion/RTS | Sonesse 30 Lithium-Ion/RTS | Sonesse 30 ULTRA Li-Ion/RTS |
| Part # | 1240291 | 1003128 | 1003310 |
| Voltage | 12V DC | 12V DC | 12V DC |
| Sound Level | ~44dBa | ~44dBa | ~40dBa |
| Max. Lifting Weight / Tube Dia. | 9.68 lb / 1.25" 8.07 lb / 1.5" | 17.6 lb / 1.5" 13.2 lb / 2" | 17.6 lb / 1.5" 13.2 lb / 2" |
| Speed | 10-28 Adjustable RPM (Factory setting is 28RPM) | 10-28 Adjustable RPM (Factory setting is 28RPM) | 10-28 Adjustable RPM (Factory setting is 28RPM) |
| Minimum System Width | 25 3/8" Width | 26 1/4" Width | 28" Width |
| Recommended Max Shade Size | 84" W x 84" H | 120" W x 120" H | 120" W x 120" H |
| AC Charger-Recharger: Roll up 28 Lithium-Ion & Sonesse 30 Lithium-Ion ONLY Part #: 9020672  | | | AC Charger-Recharger: Sonesse 30 ULTRA Lithium-Ion ONLY Part #: 9025166  |














RTS Transmitters for Lithium-Ion Motors by Somfy:

(these transmitters work with all Somfy RTS Motors)

See Price Grid 12 Page 46-47 for Pricing

| | | | | | | |
|---------|--|--|--|---|--|--|
| Control | NEW Situo 1 1 Channel Remote | NEW Situo 5 5 Channel Remote | Telis 1 1 channel Remote | Telis 4 5 channel remote | Telis 16 16 channel remote | Decoflex Wallswitch 1-5 Channel |
| Part # | 1800128 | 1800139 | 1810632 (Pure) | 1810633 (Pure) | 1811081 (Pure) | See MSRP |
| Image |  |  |  |  |  |  |

| | | | |
|---------|---|--|--|
| Control | Smooove RTS Wall Switch | Decoflex Tabletop Accessory | MyLink Smartphone and Tablet /Voice Interface. myLink also allows for integration with third-party control systems such as Control 4, Savant & Crestron |
| Part # | 1811533 (Pure) | 1811185 (White)*also available in black | 1811403 |
| Image |  |  |  IFTTT works with the Google Assistant amazon alexa |





Automation

Pristine roller shades can be operated by battery or hard wired solutions. Control options are many from wireless wall switches and remotes to home automation interfaces.

Porter Preston offers many different solutions for the automation of window treatments. The simplest and most popular solution is Somfy RTS (Radio Technology Somfy) and we have featured these motors and controls here.

We are happy to quote motorization solutions such as Somfy ILT, Lutron QED & QS and Electronic Solutions. We will design the system that is right for your project. Ask about Porter Preston's Project Management and Installation services. We can provide a "turn-key" solution for your automation project.

Battery Powered Motorized Roller Shades

Somfy R28 RTS-1240292

Porter Preston offers Somfy R28 RTS battery powered motors. They are radio (RTS) controlled and fit 1 ½" roller tube. Their maximum lifting capacity is 10 lbs. In general they can lift a 96" x 96" shade. Expected battery life is 1 – 2 years depending on frequency of use. Lithium batteries are supplied and recommended when replacements are due.

Advantages:

- No need for wiring
- In wall and handheld wireless controls
- Same controls work with other RTS hard wired shades
- Shades can be operated individually, groups and sub-groups
- Small size

Disadvantages:

- Size / weight limitations
- Motor noise – rather loud
- Battery powered – eventually the shades will cease to function and the batteries will have to be replaced
- Motor speeds often will not be the same

Minimum Width: w/o fascia 16" with fascia 17"

Maximum Width: 96"

Somfy R28 RTS battery motor

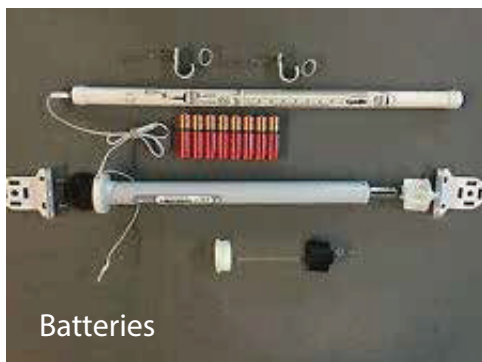
Includes:

Battery wand

Battery wand mounting clips

8 lithium AA batteries

See Price Grid 12 Page 46-47



Somfy 12V DC Rechargeable Solar Battery Pack / Tube / Wand Kit Part # 9019235



Kit includes:

(1) Photovoltaic Solar Panel in Bezel with Glass mount adhesive strips,
(1) 10" Y-Harness, (1) Alcohol Wipe, (1) Instructions (10) #9018621 NiMH(Nickel Metal Hydride) rechargeable batteries that fit in the reloadable battery tube.

- Used for powering Somfy LT30, CT32 and 2" Blind Tilt 12V Motors and Hunter Douglas 12 Volt PowerRise lift systems (see below).
- Low profile solar (photovoltaic) panel is compact, discreet and easy to conceal at just 1.57" tall x 11.85" Wide.
- Battery Tube / Wand 12" Y-Harness plugs directly into motor power port.
- Optional 24" or 48" Y-Harness available to extend reach of battery tube to motor.
- Replaces single (#9013741) and Dual (#9013742) throw away sealed battery wand.
- Battery Tube / Wand Dimensions: 20.625"L x 0.792D
- Warranty: 5-Years on Solar Panel, Wire Harness and Battery Holder. No warranty on NiMh Battery but has a life expectancy of 3-5 years.
- Somfy Cat. #9019235 includes (10)-NiNH batteries **MSRP:** See Price Grid 12 Page 46-47 for Pricing

The NEW Somfy Rechargeable Solar Battery Pack is a group of components that work in unison to provide a long life, renewable energy source for Somfy 12 Volt DC WireFree Motors. Patented energy saving technology uses sunlight to power WireFree Motorized window coverings by recharging the NiMH battery. Photovoltaics produce solar energy by converting solar radiation (sunlight) into direct electricity (DC) providing a Green alternative to regular batteries. The WireFree Solar Pack's PV panel is mounted on the inside of the window opening and converts the sun's light into electrical energy to power the window blind motor. The Solar Battery Pack is cost effective by reducing battery replacement and preserves the environment and provides a maintenance free solution that does not require an electrician. The Somfy Rechargeable Battery Pack is the ideal solution for hard to reach battery tube locations such as second story windows where battery replacement can be challenging.

Wired Motorized Roller Shades

See Price Grid 12 Pages 46-47

- **Somfy Sonesse ST-30 RTS (1001524)** 24 volt motor is a 2 nm (newton meter– a power rating) low voltage motor. It is best used on smaller shades as it can fit in a tube as small as 1.5". The motor is quiet – giving off only a small hum as it operates. As these motors operate off of 24 volts they do require a power supply to operate.

Minimum Width: 20" **Maximum Width:** 96"

Options: single motor power supply
5 motor power / distribution panel
10 motor power / distribution panel
panel dimensions: 12 1/4" x 12 1/4" x 5 1/2" high

- **Somfy Sonesse 40 RTS 404 S2 (1001636)** is a 4nm motor that runs on standard household line voltage. No power supply is necessary. An 11 1/2' cord is standard with the motor. Additional cord and plug is available at an additional cost.

Minimum Width: 23 1/2"

The Sonesse 40 series of motors are very quiet and deliver a lot of power in a 44mm or 2" tube size.

- **Somfy Sonesse 40 RTS 409 R2 (1001638)** is a 9nm motor that runs on standard household line voltage. No power supply is necessary. An 11 1/2' cord is standard with the motor. Additional cord and plug is available at an additional cost.

Minimum Width: 25"

The Sonesse 40 series of motors are very quiet and deliver a lot of power in a 44mm or 2" tube size.

For the Sonesse 40 RTS motors we can supply you with a grounded angle plug either loose or installed on the motor. If we install it on the motor for you we will cut the cord (11 1/2") to any length you specify. Note that this motor cable is NOT changeable so too long is always better than too short.

Angle Plug comes either loose or installed on motor

- **Somfy Sonesse 506 S2 RTS (1001809)** is a 6nm motor that runs on standard household line voltage. No power supply is necessary. See cord and plug options below.

Minimum Width: 31 1/2"

See Price Grid 12 Page 46-47



Radio Technology Somfy®



Sonesse ST-30 RTS



Sonesse ST-40 RTS



Sonesse 50 RTS w/o Plug



Sonesse 50 RTS 3' AC Cord with Plug

Wired Motorized Roller Shades

- **Altus 50 RTS 525S2** (1043287) is for shades with great height or width, large banded shades and tensioned shades where more power is often needed. It is a 10nm motor that runs on standard household line voltage. No power supply is necessary. See cord and plug options below.

Minimum Width: 29"

See Price Grid 12 Page 46-47 for Pricing

These Sonesse 40, 50 and Altus 50 motors are also available in a standard **(4 wire) version**. Note that this motor will require a switch or external control.

RTS AC Cord Without Plug:

See Price Grid 12 Page 46-47 for Pricing

| | |
|---------|--|
| 9203866 | 12' RTS Motor Cable WITHOUT Plug (LT-50) |
| 9001537 | 18' RTS Motor Cable WITHOUT Plug (LT-50) |
| 9001264 | 24' RTS Motor Cable WITHOUT Plug (LT-50) |



110-volt AC Plug-in Motors simply plug directly into a standard electrical outlet

RTS AC Cord With Plug Installed on Motor:

See Price Grid 12 Page 46-47 for Pricing

| | |
|---------|--|
| 9019952 | 3' RTS AC Cord With Plug Installed on Motor |
| 9019953 | 6' RTS AC Cord With Plug Installed on Motor |
| 9012145 | 12' RTS AC Cord With Plug Installed on Motor |
| 9012151 | 18' RTS AC Cord With Plug Installed on Motor |
| 9012146 | 24' RTS AC Cord With Plug Installed on Motor |

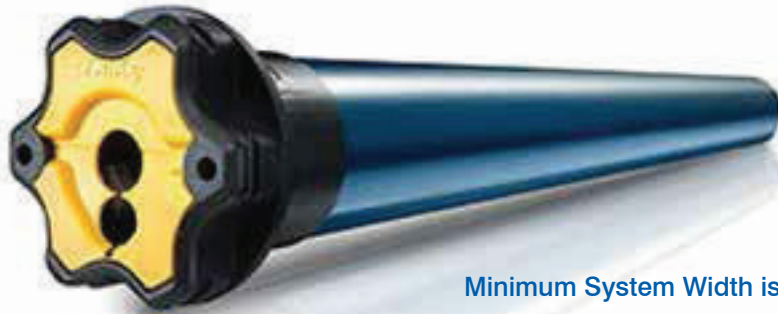


24-volt DC Plug-in Motors require a power supply transformer that is wired to the motor cable and then plugs into an electrical outlet

Wired Motorized Roller Shades

Sonesse® ULTRA 50 AC -Part # 1002562

Ultra-quiet, ultra powerful, ultra flexible



Minimum System Width is 39"

Description

Motorize a wide variety of window coverings to create the perfect environment and enjoy the peace and serenity provided by the Sonesse® ULTRA. It offers exceptional lifting capacity so you can enjoy powerful operation in a quiet and relaxing environment.

Benefits

Silent & Strong

- Enjoy energy savings, privacy and glare reduction in a quiet atmosphere
- Perfect for areas where silence is critical such as nurseries, bedrooms and offices
- Our patented technology provides strong performance that allows for multi-banding
- of up to six shades

Comfort & Convenience

- Continue your activities uninterrupted at home or work with the peaceful silent
- operation of motorized applications
- Compatible with multiple control technologies so you can operate motorized applications with ease

Energy Savings

- Compatible with timers, sensors and the myLink™ app for automatic operation

Description

ULTRA Powerful

Its superior torque of up to 6Nm allows the motor to be installed for almost any application on the market. Additionally, the high torque allows for a single Sonesse ULTRA to multi-band up to six shades.

ULTRA Quiet

Sonesse ULTRA 50 AC is packed with innovations and patented technologies that provide 6Nm of power and an acoustic performance of less than 38dB- the most powerful and quietest motor on the market.

ULTRA Flexible

Available for a variety of control systems, for all types of spatial configurations in commercial and residential buildings, in both new and renovated projects.

See Price Grid 12 Pages 46-47



Radio Technology Somfy®

RTS Controls

Telis Handheld Remote Controls

Telis Remote controls come in 3 different channel configurations 1, 5, & 16.

The are available in 3 colors: Pure – White; Lounge – Black; Silver- Silver. There is also a weather resistant model – the Patio.

For MSRP See Price Grid 12 Pages 46-47

| | | | |
|----------------------|-----------|-------------------|-----------|
| Telis 1 Pure | (1810632) | Telis 4 Silver | (1810641) |
| Telis 1 Patio | (1810643) | Telis 4 Lounge | (1810652) |
| Telis 1 Silver | (1810639) | Telis 16 Silver | (1811082) |
| Telis 1 Lounge | (1810650) | Situo 1 RTS | (1800128) |
| Telis 16 Pure | (1811081) | Situo 5 RTS Pure | (1800139) |
| Telis 1 Chronis Pure | (1805237) | Smoove 1 RTS Pure | (1811533) |
| Telis 4 Pure | (1810633) | | |
| Telis 4 Patio | (1810645) | | |



Telis 1 Patio



Telis 4 Lounge



Telis 4 Pure



Telis 16 Pure

The Telis 6 Chronis RTS is a multi-channel (6) programmable timer that can also be used as a 6 channel hand held remote.



Situo RTS offers a sleek modern look, refined profile, ergonomic design with a discreet wall support

Situo 1 RTS-Price Grid 12 Pages 46-47



The Smoove RTS is a single channel, battery-operated wall switch for Radio Technology Somfy powered products. Its surface-mount design eliminates

the need to cut into drywall during installation. With seven decorative frame choices the Smoove is the perfect choice to match any decor.

Smoove 1 RTS Pure-Price Grid 12 Pages 46-47

For MSRP See Price Grid 12 Page 46-47

DecoFlex In Wall Wireless Remote Controls

Somfy's DecoFlex is a wireless RTS control with a decora cutout that mounts in the wall in a low voltage ring (included). It comes standard in either 1 or 5 channel configurations. 2, 3 & 4 channel face plates are available for an extra charge. Included with every DecoFlex are stickers for custom labeling every button. Printed buttons are available as well. DecoFlex is available in White, Ivory & Black.

See Price Grid 12 Pages 46-47

| | |
|---------|------------------|
| 1810897 | DecoFlex 1 White |
| 1810898 | DecoFlex 1 Ivory |
| 1810830 | DecoFlex 1 Black |
| 1810813 | DecoFlex 5 White |
| 1810814 | DecoFlex 5 Ivory |
| 1810899 | DecoFlex 5 Black |



DecoFlex 1 White



DecoFlex 5 Ivory

2, 3 or 4 Channel DecoFlex Overlays Available

Custom Engraved Decoflex Command Buttons

Controls for Standard Motor

See Price Grid 12 Page 46-47

| | |
|---------|--|
| 1800374 | White Single Pole Double Throw (SPDT) Maintained Decora Switch |
| 1800373 | Ivory Single Pole Double Throw (SPDT) Maintained Decora Switch |
| 1800375 | White Double Pole Double Throw (DPDT) Maintained Decora Switch |
| 1800376 | Ivory Double Pole Double Throw (DPDT) Maintained Decora Switch |
| 1810476 | IGC 4n1 Motor Controller |
| 1810627 | Universal RTS Receiver for 110v Motors |

Quick Disconnect Cable for Standard Motors loose or installed on motor

See Price Grid 12 Page 46-47

| | |
|---------|---|
| 9012160 | Anderson Power Plug Installed on Motor (male-white)12" |
| 9012161 | Anderson Power Plug Installed on J-Box side (female black 60" |

Somfy Universal RTS Interface

See Price Grid 12 Page 46-47

Somfy's Universal RTS 16 Channel Interface can convert commands from IR, RS232, RS485 to RTS commands

| | |
|---------|-------------------------------|
| 1810872 | Somfy Universal RTS Interface |
|---------|-------------------------------|



Somfy Universal RTS Interface

DecoFlex RTS Table Top Accessory- See Price Grid 12 Page 46-47

| | |
|---------|--------------------------|
| 1811185 | DecoFlex Table Top Black |
| 1811051 | DecoFlex Table Top White |



DecoFlex Table Top Black



RTS Repeater

RTS Repeater - extend the range of your RTS controls up to 60'

| | | |
|---------|--------------|------------------------------|
| 1810791 | RTS Repeater | See Price Grid 12 Page 46-47 |
|---------|--------------|------------------------------|

RTS Sun Sensor

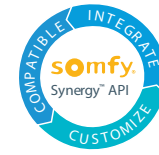
| | | |
|---------|--------------------------------------|--------------------------|
| 9013707 | Sunis Indoor Wirefree RTS Sun Sensor | Price Grid 12 Page 46-47 |
|---------|--------------------------------------|--------------------------|



Sun Sensor

myLink™ RTS Smartphone and Tablet Interface

See Price Grid 12 Pages 46-47



OVERVIEW:

The myLink™ RTS Smartphone and Tablet Interface is a WiFi to Radio Technology Somfy® (RTS) bridge that can control up to 16 channels of RTS motorized products using the Somfy myLink apps for iOS and Android devices. Through the app, users can send immediate RTS commands, create scenes (a group of motorized products working together) and schedules (timed events). Users may access their myLinks from anywhere with the app's remote access feature. Though the myLink is a single-zone controller, multiple myLinks can be joined within the same system for multi-zone control. The myLink can also be used as a WiFi to RTS interface for integration with third-party control systems and is compatible with the Somfy Synergy™ API and Amazon Alexa.



For information about the original myLink (Legacy version), see Legacy spec sheet. Legacy myLinks are identified with the status LED and setup button on the right side of the unit, and device IDs beginning with "AAAA" (EX: AAAA1234).

TECHNICAL SPECIFICATIONS:

- 120V AC; 50-60Hz
- Ultra Low Power Wi-Fi (802.11 a/b/g/n)
- 3.64" L x 2.35" W x 1.95" H
- Radio Frequency:
 - RTS 433.42 MHz
 - WiFi: 2.4 & 5GHz
- iOS Version: 7 and higher
- Android Version: Jelly Bean and higher
- FCC ID: DWNMYLINK
- Operating Temp: 41°F to 113°F (5°C to 45°C)
- Rated Current (Amps): 10 to 50 milliamps
- Insulation Class: Class II
- For Indoor Use Only
- Enclosure:
 - PE
 - UL94V-0 flame rating
 - RoHS compliant
- Shipping Weight: 1lb

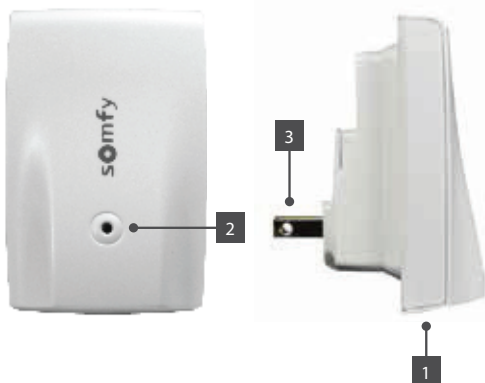
FEATURES SUMMARY:

- Control for up to 16 RTS channels per myLink™ from iOS and Android devices
- Join up to 10 myLinks together for multi-zone control
- Manually activate RTS products
- Automate window coverings with scenes and schedules
- Supports Up/Down/My/Stop commands and incremental control (tilt/brightness)
- Multiple users
- Remote access
- Integration with third-party systems over IP
- Compatible with Somfy Synergy
- Compatible with Amazon Alexa

WHAT'S IN THE BOX:

- myLink™
- Quick Start Guide

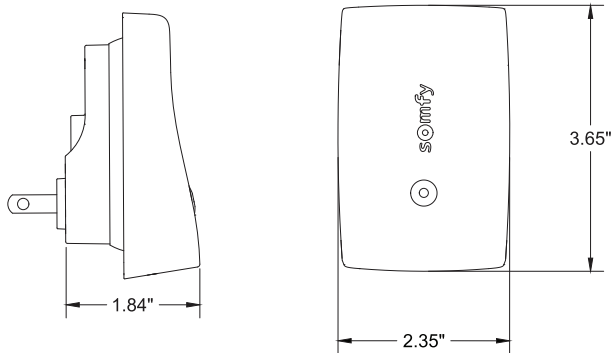
CONNECTIONS AND INDICATORS:



| ELEMENT | FUNCTION |
|----------------|---|
| 1 Setup Button | Engages setup mode |
| 2 Status LED | <p>Solid Red: Setup mode. The myLink is ready to accept WiFi network information or have its PIN changed. This is the mode the myLink should be in out of the box.</p> <p>Solid Green: myLink is successfully connected to a WiFi network</p> <p>Slow Blinking Green: myLink is trying to connect to a WiFi network/is disconnected from its known WiFi network</p> <p>Single Orange Blink: myLink is sending RTS commands</p> <p>Solid Orange: Firmware update mode</p> <p>Slow Blinking Red: myLink is scanning both 2.4GHz and 5GHz bands for nearby WiFi networks</p> |
| 3 AC Prongs | AC prongs |

DIMENSIONS:

Item #: 1811403-See Price Grid 12 Pages 46-47



BEST WIRING PRACTICES

Before installing the myLink, make sure that the RTS system is fully operational with all motor limits set and a programmed RTS transmitter. Plan to install one myLink per zone. Actual specification and RF range will vary depending on number of RTS channels and environmental conditions (building materials, RF interference, etc.).

The diagram shown below is meant for illustrative purposes to show the connections from product to product. This device could be used in other configurations than shown below.



Copyright Somfy Systems, Inc. 11/2017 Amazon, Alexa, and all related logos are trademarks of Amazon.com, Inc. or its affiliates.

Automated Window Treatments Are Better Than Ever!

Tubular motors with built in Lithium-ion rechargeable batteries!

Porter Preston expands our Pristine Roller Shade and Workroom offerings to include the **Automate™ Radio Communication (ARC™) motorization program by Rollease Acmeda:**










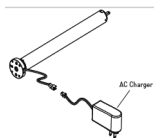
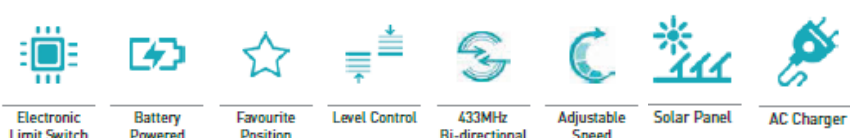
- ✓ Built in rechargeable Lithium-ion batteries
- ✓ Easy to install-no electrician required
- ✓ Perfect upgrade from manual shades-no hardwiring
- ✓ Leveling control can achieve precise positioning of multiple shades
- ✓ Simple limit setting and adjustment
- ✓ Over 500 up/down full cycles Per charge (based on 13oz psy fabric for roller shade at recommended max shade size)

- ✓ Easy Programming in 5 Simple Steps with Remote or Smart Phone App
- ✓ Shades can be controlled via remote, smart phone app, internal sunlight sensor & switches
- ✓ Favorite Position
- ✓ 2 way RF communication. Shade positioning and battery health are relayed via smart phone app. A notification will prompt when motor requires charging
- ✓ Optional solar powered charger
- ✓ 3 operational speed settings available
- ✓ Features proprietary ARC™ protocol = less RF Interference & better battery life

Automate™ Radio Communication (ARC™) Motors by Rollease Acmeda:

Automate Li-ion Wirefree Motor Types








See Price Grid 14 Page 51




| | | | | | | |
|---|---|--|---|--|---|---|
|  |  |  |  |  |  |  |
| Motor | Li-ion 0.2 | Li-ion 1.1 | Li-ion Q2.0 | Li-ion 3.0 | Li-ion Q3.0 | Li-ion Q10 |
| Part # | MTDCBRF18-0.2 | MTDCBRF25-1.1 | MTDCBRFQ28-2 | MTDCBRF35-3 | MTDCBRFQ45-3 | MTDCBRF45-10 |
| Voltage | 12 | 12 | 12 | 12 | 12 | 12 |
| Sound Level | ~48DB | ~46DB | ~44DB | ~53DB | ~40DB | ~42DB |
| Max. Lifting Weight / Tube Dia. | 3.1lb / 1.125" | 13lb / 1.5" | 17lb / 2" | 26lb / 2" | 21lb / 2.5" | 55lb / 3.25" |
| Speed | 80 rpm (adj to 60/40) | 40 rpm (adj to 30/20) | 28 rpm (adj to 24/20) | 28 rpm (adj to 24/20) | 28 rpm (adj to 24/20) | 9 rpm (adj to 8/6) |
| Minimum System Width | 21 5/8" | 23 7/8" | 21 1/2" | 37 1/2" | 37 7/8" | 37 7/8" |
| Recommended Max Shade Size | 48"x60" | 84"x84" | 120"x120" | 120"x120" | 144"x144" | 168"x168" |
| AC Charger-Recharger for DC Battery Motors *priced separately from motor |  |  | | | | |

Automate™ Radio Communication (ARC™) Motors by Rollease Acmeda:

Automate Li-ion Wirefree Motor Types

See Price Grid 14 Page 51

| | | | | | | | |
|---------|--|--|--|--|---|--|--|
| Control | 1 channel Remote | 15 channel remote | 5 channel wall switch (surface mount) | 1 Channel wall switch (cut in) | 2 Channel wall switch (cut in) | 15 Channel wall switch (cut in) | *NEW* Automate Push 5 Remote |
| Part # | MTRF-REM-1C | MTRF-REM-15 | MTRF-SW5-FLUSH | MTRF-WS-1C | MTRF-WS-2C | MTRF-WS-15 | White: MT02-0101-067004 Black: MT02-0101-050004 |
| Image |  |  |  |  |  |  |  |

| | | | |
|---------|---|--|---|
| Control | *NEW* Automate Pulse 2 Available 10/30/19 | Sun Sensor | Solar Panel |
| Part # | MT02-0401-067001 | MTRF-SUNSENS | MTSOLPAN-B |
| Image |  |  |  |

Roller Shade Material Pristine Roller Shades are available in many colors, textures and privacy options from the top manufacturers in the world. In addition we will also use Customer's Own Material (COM) to meet the needs of our customers that require color and/or pattern coordination. Contact Customer Service for Pricing.

Pristine Roller Shade Material tend to fall into three categories: Solar Screens, decorative Transluents & Blackouts. Within these three categories the fabrics range from functional to decorative and everything in between.

Solar Screens

These are Mesh fabrics designed to control natural light.

Available in many "openness factors" i.e. 1%, 3%, 5%, 10%, etc. Openness Factor affects comfort, the degree of visibility and glare control.

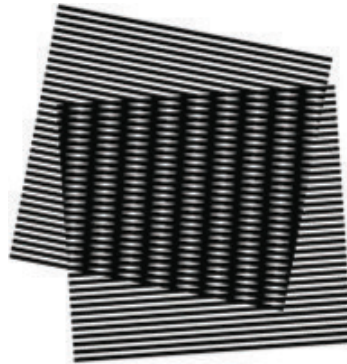
Protects interiors and furnishings from the damaging rays of the sun.

Reduces glare for televisions and computer screens.

Preserves the view to the outside. *Note that this view is from the relative dark side to the relative bright side so at night a lit room will be visible from the outside.*

Provides a decorative aspect – especially with the latest in Solar Screen designs.

Caution!! Some Solar Screen fabrics installed on windows with existing insect screens can cause a "Moiré Effect" which could be objectionable to the end user. It is always best to test for this with a fabric sample BEFORE ordering the shades. If it is winter be sure to ask as sometimes the insect screens are removed for the winter.



"Moiré Effect"

Transluents

These fabrics let in some light but none of the view affording a nice warm glow in the daytime and privacy anytime.

Pristine has Translucent fabrics that have a matching Blackout counterpart.

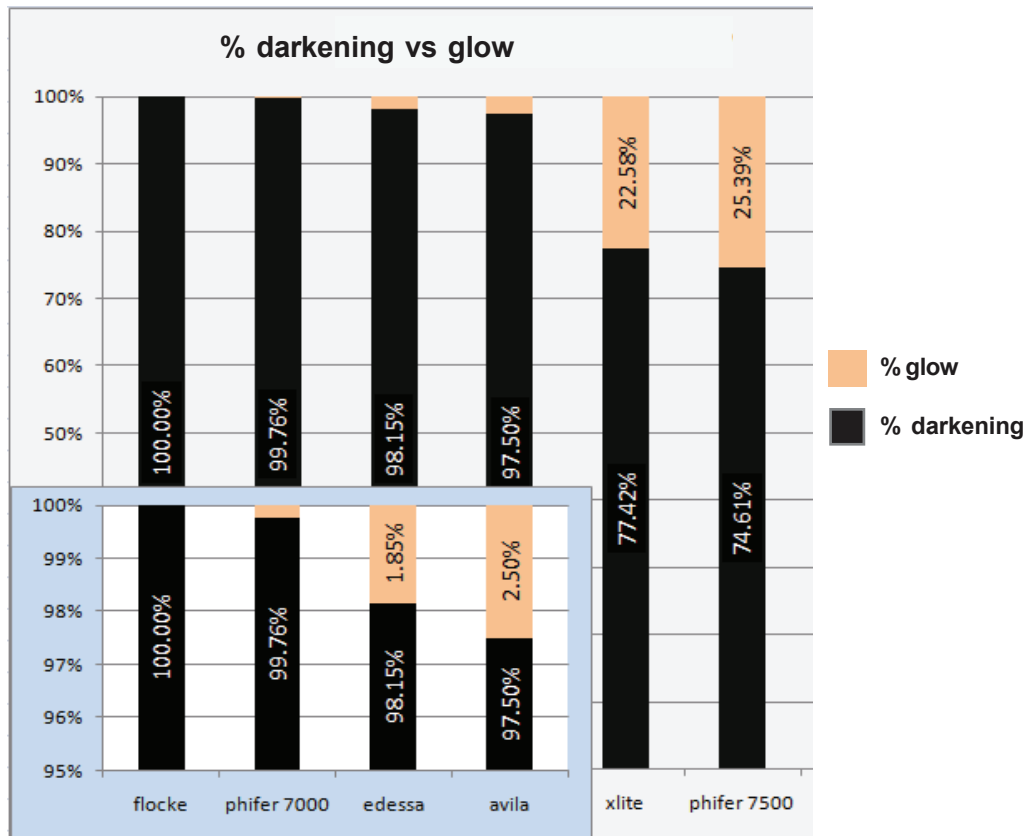
Blackouts

As the name implies these fabrics will not allow any direct light to pass through. There is no openness in the fabric, however some portions of the fabric composition are translucent enough that you may see a "glow" behind the shade, particularly if the window is facing east or west. No UV rays come through the fabric and there is complete privacy. The "glow" varies by product. See the chart on page 21 for specific comparisons.

Pristine has Blackout fabrics that have a matching Translucent counterpart.

Caution: While a Blackout shade does not allow any light to pass through the fabric, light can and will bleed around the sides, top & bottom of the shade. Pristine offers valances, side rails and sill rails to eliminate all light from the window.

The Glow Effect



This is a magnification of the top 5% of the chart

Shade Roll-Up Diameters

Fabric thickness will vary. The table below is based on a fabric with a thickness of .020 inches

| Drop | | | Tube Outside Diameter | | | | | Inches | mm |
|------|--------|------|-----------------------|------|------|------|------|-----------------------------|----|
| | | | 1.25 | 1.50 | 2.00 | 2.50 | 3.25 | | |
| cm | Inches | Feet | 32 | 38 | 50 | 63 | 83 | | |
| 30 | 12 | 1 | 1.37 | 1.60 | 2.07 | 2.56 | 3.30 | Shade Diameter Fully Raised | |
| 61 | 24 | 2 | 1.47 | 1.69 | 2.15 | 2.62 | 3.34 | | |
| 91 | 36 | 3 | 1.57 | 1.78 | 2.22 | 2.68 | 3.39 | | |
| 122 | 48 | 4 | 1.67 | 1.86 | 2.29 | 2.73 | 3.43 | | |
| 152 | 60 | 5 | 1.76 | 1.94 | 2.35 | 2.79 | 3.48 | | |
| 183 | 72 | 6 | 1.84 | 2.02 | 2.42 | 2.84 | 3.52 | | |
| 213 | 84 | 7 | 1.92 | 2.10 | 2.48 | 2.90 | 3.56 | | |
| 244 | 96 | 8 | 2.00 | 2.17 | 2.54 | 2.95 | 3.61 | | |
| 274 | 108 | 9 | 2.08 | 2.24 | 2.60 | 3.00 | 3.65 | | |
| 305 | 120 | 10 | 2.15 | 2.30 | 2.66 | 3.05 | 3.69 | | |
| 335 | 132 | 11 | 2.22 | 2.37 | 2.71 | 3.10 | 3.73 | | |
| 366 | 144 | 12 | 2.29 | 2.43 | 2.77 | 3.15 | 3.77 | | |
| 396 | 156 | 13 | 2.35 | 2.49 | 2.82 | 3.20 | 3.81 | | |
| 427 | 168 | 14 | 2.42 | 2.56 | 2.88 | 3.24 | 3.85 | | |

| Fascia System | Largest Allowable Shade Diameter |
|---------------------|----------------------------------|
| | Inches |
| Cassette 100 | 1.95 |
| Cassette 120 | 2.25 |
| R-Series Fascia, 3" | 2.75 |
| SL Fascia, 3' | 2.75 |
| Contract Pocket, 3" | 2.75 |
| R-Series Fascia, 4" | 3.75 |
| SL Fascia, 4" | 3.75 |
| Contract Pocket, 4" | 3.75 |
| Contract Pocket, 5" | 4.75 |
| Contract Pocket, 6" | 5.75 |

Roller Shade Fabrication Chart for RollEase R- Series

| Length | Width | | | | | | | | | | | | | | |
|--------|--------|--------|--------|--------|--------|--------|--------|--------|-------|--------|------|------|------|------|------|
| | 36 | 42 | 48 | 54 | 60 | 66 | 72 | 84 | 98 | 108 | 120 | 132 | 144 | 156 | 168 |
| 36 | Yellow | Yellow | Yellow | Yellow | Yellow | Yellow | Yellow | Yellow | Green | Yellow | Blue | Blue | Blue | Blue | Blue |
| 48 | Yellow | Yellow | Yellow | Yellow | Yellow | Yellow | Yellow | Yellow | Green | Yellow | Blue | Blue | Blue | Blue | Blue |
| 60 | Yellow | Yellow | Yellow | Yellow | Yellow | Yellow | Yellow | Yellow | Green | Yellow | Blue | Blue | Blue | Blue | Blue |
| 72 | Yellow | Yellow | Yellow | Yellow | Yellow | Yellow | Yellow | Yellow | Green | Yellow | Blue | Blue | Blue | Blue | Blue |
| 84 | Yellow | Yellow | Yellow | Yellow | Yellow | Yellow | Yellow | Yellow | Green | Yellow | Blue | Blue | Blue | Blue | Blue |
| 96 | Yellow | Yellow | Yellow | Yellow | Yellow | Yellow | Yellow | Yellow | Green | Yellow | Blue | Blue | Blue | Blue | Blue |
| 108 | Yellow | Yellow | Yellow | Yellow | Yellow | Yellow | Yellow | Yellow | Green | Yellow | Blue | Blue | Blue | Blue | Blue |
| 120 | Yellow | Yellow | Yellow | Yellow | Yellow | Yellow | Yellow | Yellow | Green | Yellow | Blue | Blue | Blue | Blue | Blue |
| 132 | Yellow | Yellow | Yellow | Yellow | Yellow | Yellow | Yellow | Yellow | Green | Yellow | Blue | Blue | Blue | Blue | Blue |
| 144 | Yellow | Yellow | Yellow | Yellow | Yellow | Yellow | Yellow | Yellow | Green | Yellow | Blue | Blue | Blue | Blue | Blue |
| 156 | Yellow | Yellow | Yellow | Yellow | Yellow | Yellow | Yellow | Yellow | Green | Yellow | Blue | Blue | Blue | Blue | Blue |
| 168 | Yellow | Yellow | Yellow | Yellow | Yellow | Yellow | Yellow | Yellow | Green | Yellow | Blue | Blue | Blue | Blue | Blue |
| 180 | Yellow | Yellow | Yellow | Yellow | Yellow | Yellow | Yellow | Yellow | Green | Yellow | Blue | Blue | Blue | Blue | Blue |
| 192 | Yellow | Yellow | Yellow | Yellow | Yellow | Yellow | Yellow | Yellow | Green | Yellow | Blue | Blue | Blue | Blue | Blue |

| Clutch | Tube |
|---------------|---------------|
| R8 | 1 1/4" |
| R16 | 1 1/2" |
| R24 | 1 3/2" |
| R16 | 2" |
| R24 | 2" |
| Galaxy Clutch | Spring Assist |
| Motor | Motor |

Roller Shade Fabrication Chart for RollEase Skyline

| Length | Width | | | | | | | | | | | | | | |
|--------|--------|--------|--------|--------|--------|--------|--------|--------|--------|--------|------|------|------|------|------|
| | 36 | 42 | 48 | 54 | 60 | 66 | 72 | 84 | 98 | 108 | 120 | 132 | 144 | 156 | 168 |
| 36 | Yellow | Yellow | Yellow | Yellow | Yellow | Yellow | Yellow | Yellow | Yellow | Yellow | Blue | Blue | Blue | Blue | Blue |
| 48 | Yellow | Yellow | Yellow | Yellow | Yellow | Yellow | Yellow | Yellow | Yellow | Yellow | Blue | Blue | Blue | Blue | Blue |
| 60 | Yellow | Yellow | Yellow | Yellow | Yellow | Yellow | Yellow | Yellow | Yellow | Yellow | Blue | Blue | Blue | Blue | Blue |
| 72 | Yellow | Yellow | Yellow | Yellow | Yellow | Yellow | Yellow | Yellow | Yellow | Yellow | Blue | Blue | Blue | Blue | Blue |
| 84 | Yellow | Yellow | Yellow | Yellow | Yellow | Yellow | Yellow | Yellow | Yellow | Yellow | Blue | Blue | Blue | Blue | Blue |
| 96 | Yellow | Yellow | Yellow | Yellow | Yellow | Yellow | Yellow | Yellow | Yellow | Yellow | Blue | Blue | Blue | Blue | Blue |
| 108 | Yellow | Yellow | Yellow | Yellow | Yellow | Yellow | Yellow | Yellow | Yellow | Yellow | Blue | Blue | Blue | Blue | Blue |
| 120 | Yellow | Yellow | Yellow | Yellow | Yellow | Yellow | Yellow | Yellow | Yellow | Yellow | Blue | Blue | Blue | Blue | Blue |
| 132 | Yellow | Yellow | Yellow | Yellow | Yellow | Yellow | Yellow | Yellow | Yellow | Yellow | Blue | Blue | Blue | Blue | Blue |
| 144 | Yellow | Yellow | Yellow | Yellow | Yellow | Yellow | Yellow | Yellow | Yellow | Yellow | Blue | Blue | Blue | Blue | Blue |
| 156 | Yellow | Yellow | Yellow | Yellow | Yellow | Yellow | Yellow | Yellow | Yellow | Yellow | Blue | Blue | Blue | Blue | Blue |
| 168 | Yellow | Yellow | Yellow | Yellow | Yellow | Yellow | Yellow | Yellow | Yellow | Yellow | Blue | Blue | Blue | Blue | Blue |
| 180 | Yellow | Yellow | Yellow | Yellow | Yellow | Yellow | Yellow | Yellow | Yellow | Yellow | Blue | Blue | Blue | Blue | Blue |
| 192 | Yellow | Yellow | Yellow | Yellow | Yellow | Yellow | Yellow | Yellow | Yellow | Yellow | Blue | Blue | Blue | Blue | Blue |

| Clutch | Tube |
|---------------|---------------|
| S10 | 1 1/4" |
| S15 | 1 1/4" |
| S15 | 1 1/2" |
| S20 | 1 1/2" |
| S15 | 2" |
| S20 | 2" |
| Galaxy Clutch | Spring Assist |
| Motor | Motor |

PRISTINE FABRIC SPECIFICATIONS

| Fabric | Price Grid | Openness % | Max Fabric Width | Railroadable | Fabric Covered Valance | Weight oz/sq yd | Thickness | Fire Rated | Green Guard Gold | Fungal Resistance |
|-------------------------------------|------------|------------|------------------|--------------|------------------------|-----------------|-----------|------------|------------------|-------------------|
| 9803 3% | 5 | 3% | 98" | Y | Y | 11.60 | 0.025 | Y | Y | Y |
| 3000 Net 1% | 3 | 1% | 118" | Y | Y | 15.28 | 0.026 | Y | Y | Y |
| 3000 Net 3% | 2 | 3% | 118" | Y | Y | 13.12 | 0.022 | Y | Y | Y |
| 3000 Net 5% | 2 | 5% | 118" | Y | Y | 12.39 | 0.022 | Y | Y | Y |
| 3000 Net 10% | 2 | 10% | 118" | Y | Y | 11.36 | 0.020 | Y | Y | Y |
| 3000 Net Privacy | 3 | 0% | 118" | Y | Y | 15.28 | 0.026 | Y | Y | Y |
| 4000 Net 3% | 3 | 3% | 118" | Y | Y | 16.07 | 0.029 | Y | Y | Y |
| 4000 Net 5% | 3 | 5% | 118" | Y | Y | 15.34 | 0.027 | Y | Y | Y |
| Ambient Renew 1% | 5 | 1% | 118" | Y | Y | 11.80 | 0.021 | Y | N | N |
| Ambient Renew 5% | 5 | 5% | 118" | Y | Y | 9.00 | 0.019 | Y | N | N |
| Avila Daylight Residential <1% | 3 | LF | 118" | Y | Y | 6.20 | 0.012 | N | Y | Y |
| Avila Twilight Residential BO | 5 | BO | 118" | Y | Y | 12.24 | 0.018 | N | Y | Y |
| Balmoral LF | 5 | LF | 118" | Y | Y | 6.49 | 0.021 | N | Y | N |
| Balmoral BO | 7 | BO | 118" | Y | Y | 11.500 | 0.023 | N | Y | N |
| Century/Opaque BO | 1 | BO | 72" | Y | Y | 12.00 | 0.013 | Y | Y | Y |
| Duplex BO | 1 | BO | 72" | Y | Y | 12.50 | 0.013 | Y | Y | Y |
| E Screen 1% | 6 | 1% | 122" | Y | N | 13.30 | 0.020 | Y | Y | Y |
| E Screen 3% | 5 | 3% | 122" | Y | N | 11.60 | 0.017 | Y | Y | Y |
| E Screen 5% | 4 | 5% | 122" | Y | N | 10.70 | 0.016 | Y | Y | Y |
| E Screen 10% | 4 | 10% | 122" | Y | N | 10.30 | 0.020 | Y | Y | Y |
| E Screen Deco 1% | 6 | 1% | 122" | Y | N | 12.30 | 0.022 | Y | Y | Y |
| E Screen Deco 3% | 6 | 3% | 122" | Y | N | 11.50 | 0.019 | Y | Y | Y |
| E Screen KOOL BLACK 1% | 10 | 1% | 98" | Y | N | 12.95 | 0.021 | Y | Y | Y |
| E Screen KOOL BLACK 3% | 9 | 3% | 98" | Y | N | 11.30 | 0.020 | Y | Y | Y |
| E Screen KOOL BLACK 5% | 8 | 5% | 98" | Y | N | 10.60 | 0.019 | Y | Y | Y |
| Flocke BO | 10 | BO | 94.5" | Y | Y | 15.93 | 0.020 | Y | N | Y |
| GreenScreen Evolve 3% | 5 | 3% | 118" | N | N | 8.85 | 0.029 | Y | Y | Y |
| GreenScreen NATURE 5% | 9 | 5% | 94.5" | N | N | 5.10 | 0.010 | Y | Y | Y |
| GreenScreen REVIVE 1% | 6 | 1% | 118" | N | N | 5.87 | 0.019 | Y | Y | Y |
| GreenScreen REVIVE 5% | 6 | 5% | 118" | N | N | 5.01 | 0.017 | Y | Y | Y |
| Kleenscreen 1% | 3 | 1% | 118" | Y | Y | 14.25 | 0.024 | Y | Y | Y |
| Kleenscreen 3% | 2 | 3% | 118" | Y | Y | 14.01 | 0.022 | Y | Y | Y |
| Kleenscreen 5% | 2 | 5% | 118" | Y | Y | 13.12 | 0.022 | Y | Y | Y |
| Laminates | 10 | | | | | | | | | |
| Linen Glass RD | 1 | RD | 72" | Y | Y | 12.00 | 0.016 | Y | Y | Y |
| M Screen 1% | 5 | 1% | 122" | Y | N | 13.12 | 0.022 | Y | Y | Y |
| M Screen 3% | 5 | 3% | 122" | Y | N | 12.70 | 0.022 | Y | Y | Y |
| M Screen 5% | 4 | 5% | 122" | Y | N | 11.30 | 0.022 | Y | Y | Y |
| M Screen Deco 3% | 5 | 3% | 98" | Y | N | 12.21 | 0.023 | Y | Y | Y |
| M Screen Deco 5% | 5 | 5% | 98" | Y | N | 11.30 | 0.020 | Y | Y | Y |
| Mesa LF | 4 | LF | 118" | Y | Y | 6.93 | 0.019 | Y | Y | N |
| Mesa BO | 6 | BO | 118" | Y | Y | 12.68 | 0.022 | Y | Y | N |
| Moire RD | 1 | RD | 72" | Y | Y | 12.00 | 0.014 | Y | Y | Y |
| Natte 3% | 8 | 3% | 122" | Y | Y | 16.40 | 0.023 | Y | Y | Y |
| Natte 5% | 8 | 5% | 122" | Y | Y | 14.13 | 0.022 | Y | Y | Y |
| Natte 10% | 6 | 10% | 122" | Y | Y | 13.48 | 0.021 | Y | Y | Y |
| NoLite | 1 | RD | 72" | Y | Y | 14.00 | 0.014 | Y | Y | Y |
| S Screen 1% | 6 | 1% | 122" | N | N | 19.10 | 0.041 | Y | Y | Y |
| S Screen 4% | 6 | 4% | 122" | N | N | 18.90 | 0.037 | Y | Y | Y |
| S Screen Naturals 5% | 5 | 5% | 98" | N | N | 15.00 | 0.042 | Y | Y | Y |
| Sanctuary LF | 4 | LF | 118" | N | Y | 6.05 | 0.018 | N | Y | Y |
| Sanctuary BO | 6 | BO | 118" | N | Y | 12.68 | 0.024 | N | Y | Y |
| Satine 1% | 9 | 1% | 122" | Y | Y | 17.80 | 0.033 | Y | Y | Y |
| Satine 5% | 8 | 5% | 122" | Y | Y | 15.40 | 0.032 | Y | Y | Y |
| SheerWeave 1000 25% | 2 | 25% | 96" | N | Y | 8.80 | 0.020 | Y | Y | Y |
| SheerWeave 2000 5% | 4 | 5% | 126" | Y | Y | 14.40 | 0.021 | Y | Y | Y |
| SheerWeave 2100 10% | 3 | 10% | 98" | Y | Y | 12.90 | 0.021 | Y | Y | Y |
| SheerWeave 2360 10% | 3 | 10% | 126" | Y | Y | 10.40 | 0.019 | Y | Y | Y |
| SheerWeave 2390 5% | 4 | 5% | 126" | Y | Y | 11.80 | 0.017 | Y | Y | Y |
| SheerWeave 2390 Performance Plus 5% | 8 | 5% | 96" | Y | N | 11.80 | 0.018 | Y | Y | Y |
| SheerWeave 2410 3% | 4 | 3% | 126" | Y | Y | 14.10 | 0.020 | Y | Y | Y |
| SheerWeave 2410 Performance Plus 3% | 9 | 3% | 96" | Y | N | 14.10 | 0.019 | Y | Y | Y |
| SheerWeave 2500 1% | 5 | 1% | 126" | Y | Y | 16.20 | 0.024 | Y | Y | Y |

FABRIC SPECIFICATIONS

| Fabric | Price Grid | Openness % | Max Fabric Width | Railroadable | Fabric Covered Valance | Weight oz/sq yd | Thickness | Fire Rated | Green Guard Gold | Fungal Resistance |
|-------------------------------------|------------|----------------|------------------|--------------|------------------------|-----------------|-----------|------------|------------------|-------------------|
| SheerWeave 2500 Performance Plus 1% | 9 | 1% | 96" | Y | N | 16.39 | 0.024 | Y | Y | Y |
| SheerWeave 2701 1% | 5 | 1% | 126" | Y | Y | 14.60 | 0.027 | Y | Y | Y |
| SheerWeave 2703 3% | 4 | 3% | 126" | Y | Y | 14.00 | 0.028 | Y | Y | Y |
| SheerWeave 2705 5% | 4 | 5% | 126" | Y | Y | 11.80 | 0.025 | Y | Y | Y |
| SheerWeave 2710 10% | 3 | 10% | 98" | Y | Y | 10.40 | 0.023 | Y | Y | Y |
| SheerWeave 3000 14% | 3 | 14% | 96" | Y | Y | 13.46 | 0.028 | Y | Y | Y |
| SheerWeave 4000 Eco 5% | 4 | 5% | 126" | Y | Y | 18.00 | 0.032 | Y | Y | Y |
| SheerWeave 4001 1% | 6 | 1% | 126" | Y | Y | 21.30 | 0.033 | Y | Y | Y |
| SheerWeave 4100 Eco 10% | 3 | 10% | 98" | Y | Y | 16.70 | 0.032 | Y | Y | Y |
| SheerWeave 4400 Eco 3% | 4 | 3% | 126" | Y | Y | 19.90 | 0.034 | Y | Y | Y |
| SheerWeave 4500 5% | 4 | 5% | 126" | Y | Y | 14.40 | 0.024 | Y | Y | Y |
| SheerWeave 4550 5% | 4 | 5% | 98" | Y | Y | 13.00 | 0.025 | Y | Y | Y |
| SheerWeave 4600 3% | 5 | 3% | 126" | Y | Y | 17.40 | 0.030 | Y | Y | Y |
| SheerWeave 4650 3% | 5 | 3% | 98" | Y | Y | 13.30 | 0.026 | Y | Y | Y |
| SheerWeave 4800 1% | 5 | 1% | 126" | Y | Y | 18.50 | 0.036 | Y | Y | Y |
| SheerWeave 4901 1% | 5 | 1% | 98" | Y | Y | 15.85 | 0.028 | Y | Y | Y |
| SheerWeave 4903 3% | 4 | 3% | 98" | Y | Y | 14.90 | 0.027 | Y | Y | Y |
| SheerWeave 5000 1,3,5,7,10% | 5 | 1, 3, 5, 7, 10 | 98" | N | Y | 12.3-16.1 | .032-.052 | Y | Y | Y |
| SheerWeave 7000 BO | 8 | BO | 118" | Y | Y | 12.40 | 0.029 | Y | Y | Y |
| SheerWeave 7100 BO | 5 | BO | 96" | Y | Y | 21.60 | 0.025 | Y | Y | Y |
| SheerWeave 7200R BO | 5 | BO | 118" | N | Y | 11.06 | 0.024 | Y | Y | Y |
| SheerWeave 7250R LF | 4 | LF | 118" | N | Y | 6.19 | 0.018 | Y | Y | Y |
| SheerWeave 7400 BO | 7 | BO | 118" | N | Y | 12.53 | 0.029 | Y | Y | Y |
| SheerWeave 7450 LF | 4 | LF | 118" | N | Y | 6.54 | 0.026 | Y | Y | Y |
| SheerWeave 7500 BO | 5 | BO | 118" | Y | Y | 12.14 | 0.016 | Y | Y | Y |
| SheerWeave 7600 BO | 6 | BO | 118" | N | Y | 11.80 | 0.021 | Y | Y | Y |
| SheerWeave 7650 LF | 4 | LF | 118" | N | Y | 6.20 | 0.017 | Y | Y | Y |
| SheerWeave 7700R BO | 5 | BO | 118" | N | Y | 13.60 | 0.028 | Y | Y | Y |
| SheerWeave 7750R LF | 4 | LF | 118" | N | Y | 8.80 | 0.023 | Y | Y | Y |
| SheerWeave 7800 BO | 6 | BO | 118" | Y | Y | 12.90 | 0.026 | Y | Y | Y |
| SheerWeave 7850 LF | 5 | LF | 118" | Y | Y | 7.40 | 0.027 | Y | Y | Y |
| SheerWeave 8000 3% PVC Free | 6 | 3% | 118" | Y | Y | 7.35 | 0.019 | Y | Y | Y |
| SheerWeave Basic 1% | 4 | 1% | 126" | Y | Y | 17.20 | 0.026 | Y | Y | Y |
| SheerWeave Basic 3% | 3 | 3% | 126" | Y | Y | 16.40 | 0.025 | Y | Y | Y |
| SheerWeave Basic 5% | 3 | 5% | 126" | Y | Y | 14.10 | 0.022 | Y | Y | Y |
| SheerWeave Infinity2 1% | 8 | 1% | 98" | N | Y | 13.90 | 0.032 | Y | Y | Y |
| SheerWeave Infinity2 3% | 7 | 3% | 98" | N | Y | 13.69 | 0.031 | Y | Y | Y |
| SheerWeave Infinity2 5% | 7 | 5% | 98" | N | Y | 12.82 | 0.030 | Y | Y | Y |
| Sparta Twilight-White Back | 4 | BO | 126" | Y | Y | 9.90 | 0.014 | Y | Y | Y |
| Sparta Twilight-Matching Back | 4 | BO | 126" | Y | Y | 9.90 | 0.014 | Y | Y | Y |
| T Screen 1% | 6 | 1% | 122" | Y | Y | 13.83 | 0.028 | Y | Y | Y |
| T Screen 3% | 5 | 3% | 122" | Y | Y | 12.59 | 0.027 | Y | Y | Y |
| T Screen Deco 1% | 7 | 1% | 122" | Y | Y | 13.76 | 0.028 | Y | Y | Y |
| T Screen Deco 3% | 6 | 3% | 122" | Y | Y | 12.98 | 0.028 | Y | Y | Y |
| T Screen Deco 5% | 6 | 5% | 122" | Y | Y | 11.89 | 0.028 | Y | Y | Y |
| T Screen KOOL BLACK 1% | 8 | 1% | 122" | Y | Y | 13.54 | 0.024 | Y | Y | Y |
| T Screen KOOL BLACK 3% | 8 | 3% | 122" | Y | Y | 13.27 | 0.029 | Y | Y | Y |
| TFR/Cotton EI | 1 | LF | 72" | N | Y | 6.40 | 0.009 | Y | Y | Y |
| Translucent Plus | 1 | 0% | 72" | Y | Y | 9.60 | 0.013 | Y | Y | Y |
| Verona Daylight <1% | 5 | <1% | 118" | N | Y | 5.90 | 0.021 | Y | Y | Y |
| Verona Twilight 0% | 7 | 0% | 118" | N | Y | 11.65 | 0.024 | Y | Y | Y |
| Vizela | 8 | LF | 94.5" | Y | Y | 8.70 | 0.013 | Y | Y | Y |
| Vision Plus | 4 | BO | 98" | Y | Y | 18.00 | 0.024 | Y | Y | Y |
| Wide Shade BO | 4 | BO | 120" | Y | Y | 17.90 | 0.017 | Y | Y | Y |

PRICE GRID 1 MSRP

FABRICS

WINDOW OPENING

| | 36" | 42" | 48" | 54" | 60" | 66" | 72" | 84" | 96" | 108" | 120" | 132" | 144" | 156" | 168" | |
|------------------|------|-----|-----|-----|-----|-----|-----|-----|-----|------|------|------|------|------|------|------|
| Century/Opaque | 36" | 110 | 125 | 131 | 147 | 153 | 168 | 174 | 196 | 257 | 292 | 350 | 407 | 464 | 521 | 577 |
| Duplex BO | 48" | 124 | 139 | 148 | 164 | 171 | 188 | 197 | 221 | 286 | 324 | 387 | 448 | 509 | 572 | 633 |
| Linen Glass RD | 60" | 136 | 154 | 164 | 182 | 192 | 209 | 219 | 246 | 314 | 358 | 424 | 490 | 555 | 622 | 688 |
| Moire RD | 72" | 149 | 168 | 180 | 199 | 211 | 229 | 242 | 311 | 343 | 389 | 461 | 530 | 601 | 671 | 740 |
| NoLite | 84" | 161 | 183 | 196 | 218 | 229 | 251 | 303 | 338 | 371 | 423 | 497 | 572 | 646 | 723 | 796 |
| TFR/Cotton EI | 96" | 174 | 197 | 212 | 232 | 286 | 310 | 324 | 363 | 402 | 469 | 545 | 622 | 699 | 774 | 851 |
| Translucent Plus | 108" | 187 | 211 | 227 | 251 | 307 | 331 | 346 | 388 | 430 | 502 | 583 | 664 | 745 | 826 | 907 |
| | 120" | 199 | 226 | 244 | 308 | 324 | 352 | 369 | 414 | 459 | 532 | 619 | 704 | 791 | 875 | 961 |
| | 132" | 212 | 241 | 296 | 323 | 344 | 371 | 391 | 453 | 503 | 566 | 656 | 747 | 835 | 926 | 1015 |
| | 144" | 225 | 253 | 311 | 342 | 363 | 392 | 414 | 480 | 531 | 597 | 692 | 786 | 881 | 975 | 1071 |
| | 156" | 238 | 306 | 327 | 359 | 382 | 413 | 436 | 506 | 562 | 631 | 729 | 828 | 927 | 1025 | 1124 |
| | 168" | 250 | 319 | 344 | 378 | 402 | 435 | 459 | 531 | 590 | 663 | 766 | 869 | 973 | 1076 | 1179 |
| | 180" | 263 | 334 | 359 | 393 | 421 | 455 | 482 | 556 | 619 | 693 | 801 | 911 | 1018 | 1126 | 1234 |
| | 192" | 276 | 347 | 376 | 412 | 440 | 476 | 504 | 584 | 646 | 727 | 838 | 951 | 1064 | 1175 | 1288 |

● Width (Inches)

● Height (Inches)

PRICE GRID 2 MSRP

FABRICS

WINDOW OPENING

| | 36" | 42" | 48" | 54" | 60" | 66" | 72" | 84" | 96" | 108" | 120" | 132" | 144" | 156" | 168" | |
|---------------------|------|-----|-----|-----|-----|-----|-----|-----|-----|------|------|------|------|------|------|------|
| 3000 Net 3% | 36" | 129 | 148 | 156 | 171 | 181 | 197 | 204 | 229 | 303 | 345 | 412 | 481 | 548 | 614 | 683 |
| 3000 Net 5% | 48" | 146 | 164 | 174 | 193 | 202 | 222 | 230 | 261 | 337 | 383 | 456 | 529 | 601 | 675 | 748 |
| 3000 Net 10% | 60" | 160 | 182 | 193 | 215 | 225 | 246 | 258 | 290 | 370 | 422 | 501 | 577 | 656 | 734 | 812 |
| Kleenscreen 3% | 72" | 176 | 198 | 212 | 235 | 248 | 271 | 285 | 367 | 405 | 459 | 543 | 627 | 710 | 793 | 876 |
| Kleenscreen 5% | 84" | 191 | 216 | 229 | 255 | 271 | 296 | 357 | 399 | 439 | 499 | 586 | 675 | 763 | 852 | 941 |
| SheerWeave 1000 25% | 96" | 204 | 231 | 249 | 276 | 338 | 366 | 383 | 427 | 473 | 552 | 643 | 734 | 825 | 916 | 1007 |
| | 108" | 220 | 249 | 267 | 297 | 360 | 389 | 409 | 458 | 507 | 591 | 688 | 783 | 878 | 974 | 1071 |
| | 120" | 235 | 265 | 287 | 361 | 383 | 414 | 435 | 487 | 542 | 630 | 731 | 830 | 932 | 1034 | 1135 |
| | 132" | 250 | 284 | 348 | 382 | 405 | 439 | 462 | 537 | 593 | 667 | 773 | 880 | 987 | 1093 | 1199 |
| | 144" | 265 | 299 | 367 | 404 | 427 | 464 | 487 | 567 | 629 | 705 | 817 | 928 | 1039 | 1151 | 1264 |
| | 156" | 281 | 359 | 386 | 424 | 450 | 487 | 515 | 597 | 663 | 743 | 859 | 978 | 1095 | 1211 | 1327 |
| | 168" | 294 | 376 | 405 | 445 | 473 | 513 | 542 | 629 | 696 | 781 | 905 | 1025 | 1149 | 1271 | 1392 |
| | 180" | 310 | 392 | 424 | 467 | 496 | 538 | 568 | 658 | 731 | 819 | 947 | 1074 | 1202 | 1330 | 1457 |
| | 192" | 324 | 410 | 444 | 485 | 519 | 563 | 595 | 689 | 765 | 857 | 990 | 1123 | 1257 | 1388 | 1521 |

● Width (Inches)

● Height (Inches)

PRICE GRID 3 MSRP

FABRICS

WINDOW OPENING

| | 36" | 42" | 48" | 54" | 60" | 66" | 72" | 84" | 96" | 108" | 120" | 132" | 144" | 156" | 168" | |
|--------------------------------|------|-----|-----|-----|-----|-----|-----|-----|-----|------|------|------|------|------|------|------|
| 3000 Net 1% | 36" | 156 | 176 | 188 | 207 | 220 | 241 | 251 | 284 | 357 | 415 | 487 | 563 | 634 | 708 | 780 |
| 3000 Net Privacy | 48" | 177 | 199 | 216 | 238 | 252 | 276 | 289 | 327 | 407 | 472 | 552 | 634 | 715 | 796 | 877 |
| 4000 Net 3% | 60" | 197 | 223 | 242 | 266 | 285 | 311 | 329 | 373 | 456 | 529 | 617 | 708 | 796 | 886 | 974 |
| 4000 Net 5% | 72" | 219 | 246 | 267 | 297 | 318 | 346 | 367 | 456 | 507 | 586 | 683 | 780 | 877 | 974 | 1072 |
| Avila Daylight Residential <1% | 84" | 240 | 271 | 294 | 325 | 350 | 382 | 446 | 502 | 559 | 642 | 748 | 852 | 957 | 1062 | 1170 |
| Kleenscreen 1% | 96" | 260 | 294 | 321 | 357 | 422 | 456 | 483 | 547 | 609 | 712 | 824 | 934 | 1044 | 1154 | 1265 |
| SheerWeave Basic 3% | 108" | 281 | 319 | 347 | 386 | 452 | 493 | 522 | 591 | 659 | 770 | 888 | 1008 | 1126 | 1243 | 1363 |
| SheerWeave Basic 5% | 120" | 300 | 343 | 375 | 452 | 485 | 528 | 562 | 635 | 710 | 826 | 952 | 1079 | 1205 | 1333 | 1459 |
| SheerWeave 2100 10% | 132" | 322 | 366 | 438 | 483 | 519 | 564 | 600 | 694 | 774 | 882 | 1016 | 1152 | 1287 | 1422 | 1557 |
| SheerWeave 2360 10% | 144" | 343 | 389 | 467 | 513 | 551 | 600 | 637 | 738 | 826 | 940 | 1081 | 1225 | 1367 | 1511 | 1653 |
| SheerWeave 2710 10% | 156" | 364 | 450 | 493 | 543 | 585 | 635 | 677 | 784 | 876 | 995 | 1146 | 1298 | 1449 | 1599 | 1750 |
| SheerWeave 3000 14% | 168" | 384 | 474 | 519 | 572 | 617 | 670 | 715 | 828 | 927 | 1053 | 1211 | 1369 | 1528 | 1688 | 1848 |
| SheerWeave 4100 Eco 10% | 180" | 405 | 497 | 545 | 602 | 648 | 706 | 755 | 874 | 978 | 1108 | 1275 | 1444 | 1610 | 1777 | 1944 |
| | 192" | 426 | 521 | 572 | 632 | 683 | 740 | 793 | 918 | 1028 | 1165 | 1340 | 1517 | 1690 | 1866 | 2042 |

● Width (Inches)

● Height (Inches)

PRICE GRID 4 MSRP

FABRICS

WINDOW OPENING

| | 36" | 42" | 48" | 54" | 60" | 66" | 72" | 84" | 96" | 108" | 120" | 132" | 144" | 156" | 168" | |
|--|------|-----|-----|-----|-----|-----|-----|-----|------|------|------|------|------|------|------|------|
| E Screen 5% | | | | | | | | | | | | | | | | |
| E Screen 10% | 36" | 182 | 205 | 219 | 243 | 257 | 280 | 292 | 330 | 417 | 485 | 573 | 659 | 747 | 831 | 918 |
| M Screen 5% | 48" | 205 | 231 | 250 | 277 | 292 | 321 | 338 | 382 | 475 | 550 | 646 | 740 | 838 | 933 | 1030 |
| Mesa LF | 60" | 229 | 261 | 281 | 311 | 331 | 361 | 382 | 433 | 532 | 616 | 721 | 826 | 931 | 1035 | 1140 |
| Sanctuary LF | 72" | 253 | 288 | 311 | 345 | 369 | 403 | 426 | 532 | 591 | 680 | 795 | 910 | 1023 | 1137 | 1251 |
| SheerWeave Basic 1% | 84" | 278 | 314 | 343 | 380 | 406 | 445 | 517 | 584 | 648 | 747 | 869 | 991 | 1114 | 1239 | 1361 |
| SheerWeave 2000 5% | 96" | 303 | 343 | 373 | 413 | 490 | 531 | 563 | 634 | 706 | 828 | 956 | 1084 | 1215 | 1343 | 1472 |
| SheerWeave 2390 5% | 108" | 325 | 369 | 404 | 448 | 528 | 573 | 607 | 687 | 765 | 893 | 1032 | 1170 | 1307 | 1446 | 1584 |
| SheerWeave 2410 3% | 120" | 350 | 399 | 434 | 528 | 566 | 613 | 652 | 736 | 824 | 957 | 1104 | 1251 | 1400 | 1547 | 1693 |
| SheerWeave 2703 3% | 132" | 375 | 425 | 509 | 563 | 602 | 655 | 694 | 805 | 897 | 1021 | 1177 | 1335 | 1492 | 1647 | 1805 |
| SheerWeave 2705 5% | 144" | 399 | 451 | 541 | 596 | 641 | 694 | 738 | 857 | 956 | 1085 | 1253 | 1419 | 1585 | 1750 | 1916 |
| SheerWeave 4000 Eco 5% | 156" | 422 | 525 | 572 | 631 | 677 | 736 | 784 | 909 | 1014 | 1151 | 1326 | 1501 | 1678 | 1851 | 2027 |
| SheerWeave 4400 Eco 3% | 168" | 446 | 551 | 602 | 665 | 715 | 778 | 828 | 958 | 1072 | 1216 | 1400 | 1585 | 1769 | 1954 | 2138 |
| SheerWeave 4500 5% | 180" | 470 | 577 | 633 | 699 | 754 | 818 | 873 | 1011 | 1130 | 1280 | 1475 | 1667 | 1862 | 2055 | 2249 |
| SheerWeave 4550 5% | 192" | 494 | 607 | 664 | 733 | 791 | 859 | 917 | 1060 | 1187 | 1344 | 1548 | 1750 | 1954 | 2156 | 2359 |
| SheerWeave 4903 3% | | | | | | | | | | | | | | | | |
| SheerWeave 7250R LF | | | | | | | | | | | | | | | | |
| SheerWeave 7450 LF | | | | | | | | | | | | | | | | |
| SheerWeave 7650 LF | | | | | | | | | | | | | | | | |
| SheerWeave 7750R LF | | | | | | | | | | | | | | | | |
| Sparta Twilight BO-White Backing | | | | | | | | | | | | | | | | |
| Sparta Twilight BO-Color Matched Backing | | | | | | | | | | | | | | | | |
| Vision Plus | | | | | | | | | | | | | | | | |
| Wide Shade BO | | | | | | | | | | | | | | | | |

● Width (Inches)

● Height (Inches)

PRICE GRID 5 MSRP

FABRICS

WINDOW OPENING

| | 36" | 42" | 48" | 54" | 60" | 66" | 72" | 84" | 96" | 108" | 120" | 132" | 144" | 156" | 168" | |
|-------------------------------|------|-----|-----|-----|-----|-----|------|------|------|------|------|------|------|------|------|------|
| 9803 3% | 36" | 205 | 230 | 250 | 276 | 294 | 320 | 340 | 383 | 467 | 552 | 641 | 729 | 817 | 907 | 993 |
| Ambient Renew 1%, 5% | 48" | 237 | 266 | 289 | 320 | 344 | 375 | 399 | 450 | 542 | 637 | 738 | 839 | 941 | 1042 | 1142 |
| Avila Twilight Residential BO | 60" | 266 | 303 | 329 | 364 | 391 | 427 | 455 | 519 | 619 | 725 | 838 | 951 | 1065 | 1177 | 1291 |
| Balmoral LF | 72" | 297 | 337 | 369 | 409 | 441 | 481 | 514 | 623 | 696 | 811 | 938 | 1062 | 1187 | 1314 | 1439 |
| E Screen 3% | 84" | 327 | 371 | 409 | 452 | 491 | 536 | 608 | 690 | 772 | 896 | 1035 | 1174 | 1312 | 1450 | 1588 |
| GreenScreen Evolve 3% | 96" | 358 | 407 | 449 | 497 | 574 | 624 | 666 | 757 | 850 | 995 | 1143 | 1294 | 1441 | 1589 | 1738 |
| M Screen 1% | 108" | 388 | 441 | 487 | 542 | 623 | 677 | 725 | 826 | 926 | 1081 | 1242 | 1403 | 1564 | 1725 | 1887 |
| M Screen 3% | 120" | 418 | 476 | 528 | 622 | 671 | 732 | 783 | 893 | 1003 | 1168 | 1341 | 1516 | 1688 | 1863 | 2035 |
| M Screen Deco 3% | 132" | 449 | 513 | 601 | 666 | 723 | 785 | 841 | 974 | 1093 | 1254 | 1439 | 1625 | 1811 | 1997 | 2185 |
| M Screen Deco 5% | 144" | 480 | 548 | 642 | 710 | 770 | 838 | 898 | 1041 | 1170 | 1340 | 1540 | 1737 | 1935 | 2134 | 2333 |
| S Screen Naturals 5% | 156" | 509 | 616 | 680 | 755 | 819 | 893 | 957 | 1108 | 1245 | 1426 | 1637 | 1848 | 2059 | 2271 | 2481 |
| SheerWeave 2500 1% | 168" | 541 | 653 | 721 | 798 | 867 | 946 | 1015 | 1175 | 1323 | 1513 | 1735 | 1959 | 2182 | 2407 | 2630 |
| SheerWeave 2701 1% | 180" | 571 | 687 | 760 | 844 | 917 | 1000 | 1074 | 1243 | 1400 | 1598 | 1834 | 2070 | 2308 | 2542 | 2780 |
| SheerWeave 4600 3% | 192" | 601 | 723 | 800 | 888 | 966 | 1054 | 1133 | 1311 | 1478 | 1683 | 1933 | 2181 | 2430 | 2680 | 2928 |
| SheerWeave 4650 3% | | | | | | | | | | | | | | | | |
| SheerWeave 4800 1% | | | | | | | | | | | | | | | | |
| SheerWeave 4901 1% | | | | | | | | | | | | | | | | |
| SheerWeave 5000 1,3,5,7,10% | | | | | | | | | | | | | | | | |
| SheerWeave 7100 BO | | | | | | | | | | | | | | | | |
| SheerWeave 7200R BO | | | | | | | | | | | | | | | | |
| SheerWeave 7500 BO | | | | | | | | | | | | | | | | |
| SheerWeave 7700R BO | | | | | | | | | | | | | | | | |
| SheerWeave 7850 LF | | | | | | | | | | | | | | | | |
| T Screen 3% | | | | | | | | | | | | | | | | |
| Verona Daylight <1% | | | | | | | | | | | | | | | | |

● Width (Inches)

● Height (Inches)

PRICE GRID 6 MSRP

FABRICS

WINDOW OPENING

| | 36" | 42" | 48" | 54" | 60" | 66" | 72" | 84" | 96" | 108" | 120" | 132" | 144" | 156" | 168" | |
|-----------------------------|------|-----|-----|-----|-----|------|------|------|------|------|------|------|------|------|------|------|
| E Screen 1% | 36" | 237 | 266 | 286 | 317 | 337 | 367 | 387 | 436 | 537 | 634 | 737 | 844 | 949 | 1053 | 1158 |
| E Screen Deco 1% | 48" | 268 | 306 | 330 | 366 | 390 | 425 | 450 | 510 | 622 | 728 | 847 | 964 | 1082 | 1202 | 1320 |
| E Screen Deco 3% | 60" | 304 | 344 | 375 | 413 | 445 | 484 | 515 | 585 | 705 | 821 | 954 | 1085 | 1218 | 1350 | 1482 |
| GreenScreen REVIVE 1% | 72" | 338 | 382 | 417 | 463 | 499 | 543 | 577 | 708 | 789 | 917 | 1062 | 1207 | 1355 | 1499 | 1645 |
| GreenScreen REVIVE 5% | 84" | 370 | 422 | 462 | 510 | 551 | 602 | 690 | 781 | 874 | 1011 | 1171 | 1329 | 1488 | 1647 | 1807 |
| Mesa BO | 96" | 405 | 461 | 505 | 562 | 653 | 709 | 754 | 855 | 957 | 1122 | 1292 | 1461 | 1630 | 1801 | 1969 |
| Natte 10% | 108" | 439 | 499 | 549 | 610 | 706 | 768 | 818 | 930 | 1041 | 1216 | 1400 | 1583 | 1767 | 1950 | 2131 |
| S Screen 1% | 120" | 472 | 538 | 594 | 705 | 759 | 827 | 881 | 1004 | 1126 | 1311 | 1507 | 1704 | 1901 | 2097 | 2294 |
| S Screen 4% | 132" | 506 | 576 | 683 | 754 | 815 | 886 | 946 | 1096 | 1227 | 1404 | 1616 | 1826 | 2035 | 2246 | 2457 |
| Sanctuary BO | 144" | 541 | 614 | 726 | 802 | 867 | 945 | 1010 | 1170 | 1311 | 1498 | 1723 | 1946 | 2172 | 2396 | 2620 |
| SheerWeave 4001 1% | 156" | 573 | 699 | 770 | 851 | 921 | 1003 | 1074 | 1243 | 1396 | 1591 | 1830 | 2069 | 2307 | 2543 | 2782 |
| SheerWeave 7600 BO | 168" | 608 | 737 | 814 | 899 | 975 | 1062 | 1137 | 1318 | 1480 | 1687 | 1938 | 2191 | 2441 | 2693 | 2944 |
| SheerWeave 7800 BO | 180" | 642 | 778 | 857 | 949 | 1030 | 1120 | 1202 | 1392 | 1563 | 1781 | 2047 | 2311 | 2576 | 2842 | 3106 |
| SheerWeave 8000 3% PVC Free | 192" | 675 | 816 | 900 | 997 | 1082 | 1180 | 1265 | 1465 | 1647 | 1874 | 2153 | 2433 | 2712 | 2989 | 3268 |
| T Screen 1% | | | | | | | | | | | | | | | | |
| T Screen Deco 3% | | | | | | | | | | | | | | | | |
| T Screen Deco 5% | | | | | | | | | | | | | | | | |

● Width (Inches)

● Height (Inches)

PRICE GRID 7 MSRP

FABRICS

WINDOW OPENING

| | 36" | 42" | 48" | 54" | 60" | 66" | 72" | 84" | 96" | 108" | 120" | 132" | 144" | 156" | 168" | |
|-------------------------|------|-----|-----|------|------|------|------|------|------|------|------|------|------|------|------|------|
| Balmoral BO | 36" | 262 | 294 | 318 | 350 | 373 | 406 | 430 | 485 | 593 | 703 | 816 | 928 | 1042 | 1154 | 1267 |
| SheerWeave 7400 BO | 48" | 299 | 338 | 367 | 406 | 435 | 474 | 503 | 571 | 689 | 811 | 939 | 1068 | 1197 | 1326 | 1456 |
| SheerWeave Infinity2 3% | 60" | 338 | 382 | 417 | 462 | 496 | 542 | 575 | 656 | 785 | 918 | 1062 | 1206 | 1353 | 1496 | 1642 |
| SheerWeave Infinity2 5% | 72" | 376 | 426 | 468 | 517 | 559 | 609 | 648 | 789 | 881 | 1025 | 1184 | 1345 | 1506 | 1667 | 1828 |
| T Screen Deco 1% | 84" | 414 | 471 | 516 | 573 | 619 | 676 | 770 | 874 | 978 | 1134 | 1309 | 1485 | 1662 | 1838 | 2014 |
| Verona Twilight 0% | 96" | 452 | 515 | 567 | 630 | 727 | 791 | 842 | 958 | 1074 | 1260 | 1447 | 1636 | 1824 | 2011 | 2199 |
| | 108" | 491 | 561 | 616 | 686 | 789 | 857 | 916 | 1042 | 1170 | 1366 | 1571 | 1774 | 1978 | 2182 | 2386 |
| | 120" | 529 | 602 | 667 | 766 | 850 | 926 | 989 | 1128 | 1265 | 1475 | 1692 | 1913 | 2133 | 2353 | 2573 |
| | 132" | 568 | 646 | 760 | 842 | 912 | 992 | 1060 | 1230 | 1380 | 1583 | 1817 | 2053 | 2288 | 2524 | 2759 |
| | 144" | 607 | 691 | 812 | 897 | 973 | 1059 | 1135 | 1314 | 1476 | 1689 | 1941 | 2192 | 2442 | 2693 | 2945 |
| | 156" | 644 | 780 | 861 | 954 | 1035 | 1128 | 1207 | 1399 | 1572 | 1798 | 2064 | 2332 | 2598 | 2864 | 3131 |
| | 168" | 683 | 825 | 912 | 1010 | 1096 | 1195 | 1280 | 1483 | 1668 | 1906 | 2188 | 2471 | 2754 | 3035 | 3318 |
| | 180" | 723 | 869 | 961 | 1065 | 1158 | 1262 | 1355 | 1567 | 1766 | 2013 | 2311 | 2609 | 2908 | 3206 | 3505 |
| | 192" | 759 | 913 | 1011 | 1120 | 1219 | 1329 | 1427 | 1653 | 1862 | 2120 | 2435 | 2748 | 3062 | 3377 | 3690 |

● Width (Inches)

● Height (Inches)

PRICE GRID 8 MSRP

FABRICS

WINDOW OPENING

| | 36" | 42" | 48" | 54" | 60" | 66" | 72" | 84" | 96" | 108" | 120" | 132" | 144" | 156" | 168" | |
|-------------------------------------|------|-----|-----|------|------|------|------|------|------|------|------|------|------|------|------|------|
| E Screen KOOL BLACK 5% | 36" | 278 | 312 | 338 | 373 | 400 | 434 | 458 | 519 | 630 | 748 | 866 | 985 | 1104 | 1223 | 1342 |
| Natte 3% | 48" | 319 | 360 | 391 | 434 | 464 | 506 | 538 | 610 | 733 | 865 | 1001 | 1136 | 1273 | 1407 | 1544 |
| Natte 5% | 60" | 360 | 409 | 446 | 494 | 531 | 579 | 616 | 703 | 838 | 981 | 1135 | 1287 | 1439 | 1593 | 1747 |
| Satine 5% | 72" | 403 | 455 | 501 | 553 | 597 | 653 | 696 | 844 | 942 | 1099 | 1267 | 1438 | 1609 | 1779 | 1950 |
| SheerWeave 2390 Performance Plus 5% | 84" | 444 | 504 | 553 | 613 | 665 | 725 | 824 | 934 | 1045 | 1215 | 1402 | 1589 | 1777 | 1964 | 2151 |
| SheerWeave 7000 BO | 96" | 484 | 550 | 608 | 675 | 778 | 846 | 900 | 1025 | 1151 | 1349 | 1550 | 1750 | 1953 | 2152 | 2354 |
| SheerWeave Infinity2 1% | 108" | 527 | 598 | 663 | 734 | 844 | 918 | 981 | 1118 | 1256 | 1467 | 1685 | 1903 | 2119 | 2337 | 2556 |
| T Screen KOOL BLACK 1% | 120" | 567 | 646 | 715 | 841 | 911 | 990 | 1059 | 1210 | 1359 | 1584 | 1817 | 2054 | 2288 | 2522 | 2758 |
| T Screen KOOL BLACK 3% | 132" | 609 | 693 | 815 | 900 | 977 | 1064 | 1139 | 1319 | 1481 | 1701 | 1953 | 2205 | 2457 | 2708 | 2959 |
| Vizela LF | 144" | 652 | 740 | 869 | 961 | 1043 | 1136 | 1218 | 1411 | 1586 | 1816 | 2087 | 2355 | 2623 | 2893 | 3163 |
| | 156" | 691 | 834 | 921 | 1021 | 1110 | 1210 | 1297 | 1502 | 1689 | 1934 | 2219 | 2505 | 2792 | 3079 | 3365 |
| | 168" | 733 | 882 | 977 | 1081 | 1176 | 1281 | 1377 | 1593 | 1794 | 2051 | 2354 | 2657 | 2961 | 3264 | 3567 |
| | 180" | 773 | 930 | 1032 | 1142 | 1242 | 1356 | 1456 | 1686 | 1898 | 2168 | 2490 | 2807 | 3128 | 3449 | 3770 |
| | 192" | 816 | 978 | 1083 | 1202 | 1309 | 1427 | 1536 | 1777 | 2003 | 2284 | 2621 | 2959 | 3296 | 3634 | 3969 |

● Width (Inches)

● Height (Inches)

PRICE GRID 9 MSRP

FABRICS

WINDOW OPENING

| | 36" | 42" | 48" | 54" | 60" | 66" | 72" | 84" | 96" | 108" | 120" | 132" | 144" | 156" | 168" | |
|-------------------------------------|------|-----|------|------|------|------|------|------|------|------|------|------|------|------|------|------|
| E Screen KOOL BLACK 3% | 36" | 311 | 350 | 380 | 418 | 448 | 486 | 516 | 585 | 703 | 838 | 969 | 1100 | 1230 | 1360 | 1490 |
| GreenScreen NATURE 5% | 48" | 358 | 405 | 441 | 487 | 525 | 571 | 608 | 690 | 824 | 974 | 1123 | 1274 | 1424 | 1575 | 1724 |
| Satine 1% | 60" | 406 | 459 | 504 | 556 | 601 | 655 | 699 | 796 | 943 | 1108 | 1277 | 1448 | 1619 | 1788 | 1958 |
| SheerWeave 2410 Performance Plus 3% | 72" | 452 | 514 | 566 | 627 | 677 | 738 | 791 | 951 | 1064 | 1243 | 1434 | 1622 | 1813 | 2003 | 2192 |
| SheerWeave 2500 Performance Plus 1% | 84" | 502 | 570 | 629 | 696 | 755 | 824 | 928 | 1056 | 1184 | 1378 | 1588 | 1798 | 2007 | 2217 | 2426 |
| | 96" | 548 | 624 | 690 | 765 | 877 | 955 | 1019 | 1163 | 1306 | 1530 | 1756 | 1984 | 2210 | 2435 | 2660 |
| | 108" | 596 | 678 | 752 | 834 | 954 | 1038 | 1111 | 1267 | 1426 | 1667 | 1911 | 2157 | 2403 | 2649 | 2895 |
| | 120" | 643 | 733 | 815 | 950 | 1032 | 1122 | 1202 | 1375 | 1547 | 1802 | 2068 | 2333 | 2597 | 2863 | 3128 |
| | 132" | 690 | 788 | 920 | 1019 | 1106 | 1205 | 1294 | 1498 | 1685 | 1936 | 2221 | 2506 | 2792 | 3078 | 3363 |
| | 144" | 737 | 844 | 982 | 1089 | 1183 | 1289 | 1384 | 1605 | 1805 | 2071 | 2377 | 2682 | 2986 | 3291 | 3597 |
| | 156" | 785 | 942 | 1044 | 1159 | 1261 | 1375 | 1476 | 1710 | 1926 | 2208 | 2531 | 2855 | 3181 | 3506 | 3830 |
| | 168" | 832 | 997 | 1106 | 1227 | 1337 | 1458 | 1566 | 1815 | 2047 | 2341 | 2686 | 3031 | 3376 | 3720 | 4065 |
| | 180" | 880 | 1053 | 1170 | 1297 | 1414 | 1542 | 1658 | 1922 | 2166 | 2476 | 2841 | 3206 | 3571 | 3934 | 4300 |
| | 192" | 928 | 1106 | 1232 | 1366 | 1491 | 1624 | 1749 | 2027 | 2287 | 2611 | 2998 | 3380 | 3764 | 4148 | 4532 |

● Width (Inches)

● Height (Inches)

PRICE GRID 10 MSRP

FABRICS

WINDOW OPENING

| | 36" | 42" | 48" | 54" | 60" | 66" | 72" | 84" | 96" | 108" | 120" | 132" | 144" | 156" | 168" |
|------------------------|------|------|------|------|------|------|------|------|------|------|------|------|------|------|------|
| E Screen KOOL BLACK 1% | 394 | 446 | 484 | 533 | 573 | 623 | 663 | 751 | 890 | 1070 | 1227 | 1387 | 1545 | 1705 | 1864 |
| Flocke BO | 458 | 517 | 567 | 627 | 675 | 734 | 784 | 893 | 1051 | 1250 | 1435 | 1621 | 1806 | 1992 | 2179 |
| Laminates | 521 | 590 | 648 | 717 | 778 | 848 | 907 | 1035 | 1212 | 1429 | 1643 | 1855 | 2069 | 2280 | 2494 |
| | 584 | 664 | 732 | 811 | 880 | 958 | 1028 | 1225 | 1375 | 1611 | 1850 | 2090 | 2331 | 2567 | 2807 |
| | 646 | 735 | 815 | 901 | 981 | 1071 | 1197 | 1366 | 1536 | 1793 | 2058 | 2324 | 2591 | 2858 | 3123 |
| | 709 | 807 | 896 | 995 | 1130 | 1230 | 1319 | 1507 | 1698 | 1991 | 2280 | 2568 | 2859 | 3148 | 3436 |
| | 772 | 880 | 979 | 1088 | 1233 | 1342 | 1441 | 1648 | 1860 | 2173 | 2490 | 2803 | 3119 | 3435 | 3751 |
| | 834 | 954 | 1060 | 1226 | 1335 | 1455 | 1563 | 1792 | 2019 | 2354 | 2697 | 3038 | 3382 | 3724 | 4066 |
| | 897 | 1025 | 1191 | 1319 | 1436 | 1566 | 1685 | 1952 | 2197 | 2536 | 2905 | 3272 | 3642 | 4012 | 4380 |
| | 959 | 1099 | 1272 | 1411 | 1540 | 1679 | 1806 | 2092 | 2358 | 2716 | 3111 | 3508 | 3904 | 4300 | 4695 |
| | 1023 | 1216 | 1355 | 1503 | 1642 | 1792 | 1929 | 2233 | 2521 | 2896 | 3319 | 3741 | 4164 | 4587 | 5010 |
| | 1084 | 1288 | 1436 | 1596 | 1744 | 1903 | 2051 | 2376 | 2682 | 3078 | 3527 | 3976 | 4426 | 4874 | 5324 |
| | 1149 | 1361 | 1519 | 1688 | 1846 | 2014 | 2173 | 2517 | 2843 | 3258 | 3735 | 4210 | 4687 | 5163 | 5639 |
| | 1212 | 1434 | 1601 | 1780 | 1947 | 2127 | 2294 | 2658 | 3005 | 3440 | 3942 | 4445 | 4948 | 5450 | 5953 |

● Width (Inches)

● Height (Inches)

PRICE GRID 11 MSRP

BRACKETS & ACCESSORIES

| | |
|---|-----|
| Banded Shade Coupler Acmeda 44 | 96 |
| 4" Fascia Bracket & Indexable Coupler Set | 141 |
| 7" Fascia Dual Shade Bracket | 257 |
| 7" Dual Coupler Set | 379 |

SPRING ASSIST

| | |
|--|-----|
| Skyline 30 lb Cluth with Spring Assist | 202 |
| Skyline Galaxy 200 with Spring Assist | 202 |
| Skyline Galaxy 400 with Spring Assist | 202 |

MANUAL CLUTCH ACCESSORIES

| | |
|---------------------------------------|-----|
| SafetyHold3 | 4 |
| Stainless Steel & Other Finish Chain | 13 |
| Outdoor Clutch | 7 |
| Galaxy 200 Clutch | 53 |
| Galaxy 400 Clutch | 68 |
| EasySpring Plus/Air | 100 |
| Batten Surcharge Per Foot, Per Batten | 22 |

SKYLINE BOTTOM UP ROLLER SHADES

| Width | 36" | 48" | 60" | 72" | 84" | 96" |
|-------|-----|-----|-----|-----|-----|-----|
| MSRP | 336 | 421 | 505 | 588 | 674 | 757 |

PRICE GRID 11 MSRP CONTINUED

FASCIA—includes brackets

| | 36" | 42" | 48" | 54" | 60" | 66" | 72" | 84" | 96" | 108" | 120" | 132" | 144" | 156" | 168" |
|---|-----|-----|-----|-----|-----|-----|-----|-----|-----|------|------|------|------|------|------|
| 3" Uncovered Fascia | 62 | 68 | 73 | 83 | 89 | 94 | 101 | 116 | 127 | 142 | 156 | 168 | 182 | 195 | 209 |
| 4" Uncovered Fascia | 80 | 89 | 95 | 103 | 113 | 121 | 127 | 145 | 160 | 177 | 192 | 209 | 226 | 241 | 257 |
| 5" Uncovered Fascia system (dual or single) | 123 | 138 | 154 | 169 | 185 | 200 | 216 | 231 | 248 | 262 | 278 | 294 | 309 | 324 | 341 |
| 7" Dual Shade Uncovered Fascia | 382 | 432 | 480 | 529 | 577 | 625 | 674 | 721 | 770 | 817 | 866 | 915 | 963 | 1013 | 1060 |
| 3" Covered Fascia | 154 | 172 | 187 | 205 | 220 | 238 | 255 | 287 | 321 | 354 | 388 | 421 | 455 | 487 | 520 |
| 4" Covered Fascia | 200 | 219 | 240 | 261 | 280 | 301 | 321 | 361 | 401 | 441 | 481 | 521 | 562 | 601 | 644 |
| 5" Covered Fascia | 368 | 415 | 461 | 508 | 555 | 601 | 648 | 693 | 742 | 786 | 835 | 880 | 928 | 974 | 1021 |

● Width (Inches)

CASSETTES

| | 36" | 42" | 48" | 54" | 60" | 66" | 72" | 84" | 96" | 108" | 120" | 132" | 144" | 156" | 168" |
|---------------------|-----|-----|-----|-----|-----|-----|-----|-----|-----|------|------|------|------|------|------|
| Cassette 100 | 92 | 103 | 116 | 126 | 139 | 150 | 161 | 185 | 208 | 231 | 253 | 277 | 300 | 323 | 347 |
| Cassette 120 | 102 | 116 | 127 | 142 | 154 | 167 | 181 | 206 | 231 | 256 | 282 | 308 | 333 | 359 | 384 |
| Cassette 110 (Flat) | 102 | 116 | 127 | 142 | 154 | 167 | 181 | 206 | 231 | 256 | 282 | 308 | 333 | 359 | 384 |

● Width (Inches)

VALANCE & HEM BAR

| | 36" | 42" | 48" | 54" | 60" | 66" | 72" | 84" | 96" | 108" | 120" | 132" | 144" | 156" | 168" |
|-----------------------------------|-----|-----|-----|-----|-----|-----|-----|-----|-----|------|------|------|------|------|------|
| Soft Valance | 48 | 56 | 61 | 67 | 73 | 77 | 80 | 96 | 105 | 118 | 127 | 138 | 149 | 159 | 167 |
| External Hem Bar | 39 | 49 | 55 | 60 | 65 | 69 | 73 | 80 | 90 | 100 | 110 | 121 | 130 | 140 | 151 |
| Grommeted Hem Bar with Hold Downs | 134 | 134 | 134 | 134 | 134 | 134 | 134 | 134 | 134 | 134 | 134 | 134 | 134 | 134 | 134 |

● Width (Inches)

HANGER

| | 36" | 42" | 48" | 54" | 60" | 66" | 72" | 84" | 96" | 108" | 120" | 132" | 144" | 156" | 168" |
|---|-----|-----|-----|-----|-----|-----|-----|-----|-----|------|------|------|------|------|------|
| SB21-0514-075490 I Clip Recess Closure White (No Lip) | 38 | 45 | 50 | 57 | 64 | 70 | 76 | 89 | 101 | 114 | 126 | 139 | 152 | 164 | 177 |
| SB21-0514-020490 I Clip Recess Closure Ano (No Lip) | 42 | 48 | 55 | 62 | 69 | 76 | 83 | 96 | 111 | 124 | 138 | 152 | 165 | 180 | 193 |

● Width (Inches)

POCKET-CONTRACT

| | 36" | 42" | 48" | 54" | 60" | 66" | 72" | 84" | 96" | 108" | 120" | 132" | 144" | 156" | 168" |
|--|-----|-----|-----|-----|-----|-----|-----|-----|-----|------|------|------|------|------|------|
| RCCP3W 3" Pocket Contract (3.51" x 3.09") White | 100 | 117 | 134 | 150 | 167 | 184 | 200 | 233 | 266 | 300 | 333 | 367 | 400 | 434 | 467 |
| RCBC2W Bottom Closure for 3" (2.22") White | 42 | 48 | 55 | 62 | 69 | 76 | 83 | 96 | 111 | 124 | 138 | 152 | 165 | 180 | 193 |
| RCEP3W End Plate for 3" Pocket White, Pair, Inc screws | 11 | | | | | | | | | | | | | | |

RCCP3A 3" Pocket Contract (3.51" x 3.09") Ano

| | 36" | 42" | 48" | 54" | 60" | 66" | 72" | 84" | 96" | 108" | 120" | 132" | 144" | 156" | 168" |
|--|-----|-----|-----|-----|-----|-----|-----|-----|-----|------|------|------|------|------|------|
| RCBC2A Bottom Closure for 3" (2.22") Ano | 111 | 129 | 147 | 165 | 184 | 203 | 220 | 257 | 295 | 331 | 368 | 404 | 441 | 479 | 515 |
| RCEP3A End Plate for 3" Pocket Ano, Pair, inc screws | 15 | | | | | | | | | | | | | | |

RCCP4W 4" Pocket Contract (4.51" X 4.09") White

| | 36" | 42" | 48" | 54" | 60" | 66" | 72" | 84" | 96" | 108" | 120" | 132" | 144" | 156" | 168" |
|---|-----|-----|-----|-----|-----|-----|-----|-----|-----|------|------|------|------|------|------|
| RCBC3W Bottom Closure for 4" (2.73") White | 131 | 153 | 175 | 196 | 218 | 240 | 262 | 306 | 349 | 393 | 437 | 481 | 525 | 567 | 611 |
| RCEP4W End Plate for 4" Pocket, White, Pair | 18 | | | | | | | | | | | | | | |

RCCP4A 4" Pocket Contract (4.51" X 4.09") Ano

| | 36" | 42" | 48" | 54" | 60" | 66" | 72" | 84" | 96" | 108" | 120" | 132" | 144" | 156" | 168" |
|---|-----|-----|-----|-----|-----|-----|-----|-----|-----|------|------|------|------|------|------|
| RCBC3A Bottom Closure for 4" (2.73") Ano | 141 | 165 | 188 | 213 | 236 | 260 | 283 | 330 | 377 | 424 | 471 | 518 | 565 | 612 | 659 |
| RCEP4A End Plate for 4" Pocket, Ano, Pair | 20 | | | | | | | | | | | | | | |

RCCP5W 5" Pocket Contract (5.63" X 5.30") White

| | 36" | 42" | 48" | 54" | 60" | 66" | 72" | 84" | 96" | 108" | 120" | 132" | 144" | 156" | 168" |
|--|-----|-----|-----|-----|-----|-----|-----|-----|-----|------|------|------|------|------|------|
| RCBC5W Bottom Closure for 5" (2.67") White | 238 | 278 | 318 | 357 | 397 | 437 | 475 | 555 | 634 | 714 | 793 | 873 | 952 | 1031 | 1111 |
| RCEP5W End Plate for 5" Pocket, White | 25 | | | | | | | | | | | | | | |

RCCP5A 5" Pocket Contract (5.63" X 5.30") Ano

| | 36" | 42" | 48" | 54" | 60" | 66" | 72" | 84" | 96" | 108" | 120" | 132" | 144" | 156" | 168" |
|---|-----|-----|-----|-----|-----|-----|-----|-----|-----|------|------|------|------|------|------|
| RCBC5W Bottom Closure for 5" (2.67") Ano | 273 | 319 | 364 | 410 | 455 | 501 | 544 | 635 | 726 | 817 | 908 | 999 | 1090 | 1181 | 1272 |
| RCEP5W End Plate for 5" Pocket, Ano, Pair | 26 | | | | | | | | | | | | | | |

RCCP6W 6" Pocket Contract (6.13" X 5.81") White

| | 36" | 42" | 48" | 54" | 60" | 66" | 72" | 84" | 96" | 108" | 120" | 132" | 144" | 156" | 168" |
|---|-----|-----|-----|-----|-----|-----|-----|-----|-----|------|------|------|------|------|------|
| RCBC6W Bottom Closure for 6" (3.6") White | 366 | 426 | 487 | 549 | 609 | 670 | 732 | 853 | 975 | 1096 | 1218 | 1341 | 1462 | 1584 | 1705 |
| RCEP6W End Plate for 6" Pocket, White, Pair | 27 | | | | | | | | | | | | | | |

RCCP6A 6" Pocket Contract (6.13" X 5.81") Ano

| | 36" | 42" | 48" | 54" | 60" | 66" | 72" | 84" | 96" | 108" | 120" | 132" | 144" | 156" | 168" |
|---|-----|-----|-----|-----|-----|-----|-----|-----|------|------|------|------|------|------|------|
| RCBC6A Bottom Closure for 6" (3.6") Ano | 393 | 459 | 525 | 589 | 655 | 721 | 786 | 918 | 1048 | 1180 | 1310 | 1441 | 1573 | 1703 | 1835 |
| RCEP6A End Plate for 6" Pocket, Ano, Pair | 27 | | | | | | | | | | | | | | |

Note: Shade Pocket Sizing: OB Exact Width, IB Width less 1/8". A pair of end caps further reduce width by 3/16"

● Width (Inches)

SIDE CHANNELS- PRICE GRID IS BASED ON HEIGHT

| | 36" | 48" | 60" | 72" | 84" | 96" | 108" | 120" | 132" | 144" | 156" | 168" | 180" | 192" | 216" |
|---|-----|-----|-----|-----|-----|-----|------|------|------|------|------|------|------|------|------|
| RS-TC1-5 OB Mount Commercial Side Channel 2.17"x 1" | 55 | 73 | 92 | 111 | 129 | 147 | 165 | 184 | 203 | 220 | 239 | 257 | 276 | 295 | |
| SCH25-XX IB Mount Commercial U Channel 2.5" x 1" | 72 | 96 | 121 | 145 | 169 | 193 | 217 | 241 | 265 | 289 | 314 | 338 | 363 | 387 | 397 |

● Height (Inches)

Note:MSRP is for 1 channel only but typically 2 are used

Note: Both Commercial Side Channels and fabric Guides are available in White, Alabaster, Anodized, Bronze and Black

Note: Side Rails include black 7mm x 5mm black brush strip. Caps available in White or Black.

SILL CHANNEL-PRICE GRID IS BASED ON WIDTH

| | 36" | 42" | 48" | 54" | 60" | 66" | 72" | 84" | 96" | 108" | 120" | 132" | 144" | 156" | 168" |
|--------------------------------------|-----|-----|-----|-----|-----|-----|-----|-----|-----|------|------|------|------|------|------|
| SCH10-XX IB Mount Sill Channel 1"x1" | 52 | 60 | 70 | 78 | 86 | 96 | 104 | 121 | 138 | 156 | 173 | 190 | 208 | 225 | 242 |

● Width (Inches)

Note: available in White, Alabaster, Anodized, Bronze and Black

LUTRON COMPATIBLE SHADE POCKET

| | 36" | 42" | 48" | 54" | 60" | 66" | 72" | 84" | 96" | 108" | 120" | 132" | 144" | 156" | 168" |
|---------------------------------------|-----|-----|-----|-----|-----|-----|-----|-----|-----|------|------|------|------|------|------|
| Shade Pocket (3.5"x3.5") White | 125 | 146 | 167 | 188 | 209 | 230 | 251 | 293 | 334 | 376 | 418 | 460 | 502 | 543 | 585 |
| Bottom Closure for 3.5" White | 41 | 48 | 54 | 62 | 68 | 75 | 82 | 95 | 109 | 122 | 136 | 149 | 163 | 177 | 190 |
| End Cap for 3.5" Pocket, White, Pair | 38 | | | | | | | | | | | | | | |

Note: White only, other colors available by special order

Shade Pocket (4.75" X 5") White

| | 36" | 42" | 48" | 54" | 60" | 66" | 72" | 84" | 96" | 108" | 120" | 132" | 144" | 156" | 168" |
|--------------------------------------|-----|-----|-----|-----|-----|-----|-----|-----|-----|------|------|------|------|------|------|
| Bottom Closure for 4.75" White | 179 | 209 | 238 | 269 | 298 | 328 | 357 | 417 | 477 | 536 | 596 | 655 | 715 | 774 | 834 |
| End Cap for 4.75" Pocket White, Pair | 63 | 73 | 84 | 94 | 105 | 115 | 125 | 146 | 167 | 188 | 209 | 230 | 251 | 272 | 293 |
| | 57 | | | | | | | | | | | | | | |

Note: White only, other colors available by special order

● Width (Inches)

Porter Preston
61 Mattatuck Heights Road
Waterbury, CT 06705
PH 866-753-1113
FX 203-597-8828

customerservice@porterpreston.com
www.porterpreston.com

| SOMFY RTS BATTERY | | |
|--------------------------|---|-------------|
| Part # | Somfy External Battery Powered RTS Motors & Accessories | MSRP |
| 1241230 | Sonesse 28 WireFree RTS External Battery Motor - requires 9021217 Li-ion Rechargeable Battery Pack and 9025166 Charger | 432 |
| 9021217 | Li-ion Rechargeable External Battery Pack for 1241230- requires the 9025166 charger | 112 |
| 1822445 | 12V DC Plug in Power Supply w/ 3m cable - white for 1241230 Sonesse 28 External Battery Motor | 248 |
| 9027294 | WireFree Li-Ion Solar Panel Kit – kit includes solar panel, brackets and glass mount adhesive-when used with 1241230 motor, requires 9021217 Rechargeable External Battery Pack | 203 |
| Part # | Somfy Internal Li-ion Rechargeable Battery RTS Motors-Interior | MSRP |
| 1240278 | Roll Up 24 WireFree RTS Li-ion Motor | 404 |
| 1003297 | Sonesse 28 WireFree RTS Li-ion Motor 1.1 nm | 512 |
| 1003310 | Sonesse ULTRA 30 WireFree RTS Li-ion Motor | 533 |
| 1240485 | Sonesse 40 WireFree 403 RTS Li-ion | 755 |
| Part # | Somfy Li-ion Battery Chargers & Extension Cables | MSRP |
| 9027294 | WireFree Li-Ion Solar Panel Kit – includes solar panel, brackets and glass mount adhesive | 203 |
| 9025166 | Charger 6' Cable for 1003297 Sonesse 28, 1003310 Sonesse 30 ULTRA, 1240485 Sonesse 40 & 1240278 Roll Up 24 | 42 |
| 9021131 | Charger 8" Extension Cable-for Version 2 motors. Recommended for fascia/shadebox/cassette options | 13 |
| 9021016 | Charger 94.5" Extension Cable-for 9025166 | 15 |
| SOMFY WIRED | | |
| Part # | SOMFY Wired 24 Volt DC RTS Motors-Interior | MSRP |
| 1241142 | Sonesse 30 RTS 24v Motor -901474 power cable included | 789 |
| 1134023 | Sonesse ULTRA 504 A8 DC RTS -9020005 power cable included | 1096 |
| Part # | 24v DC Power Options | MSRP |
| 1822209 | 24v Single Motor Wall Wart Power Supply (for ST-30 & ULTRA 504 DC) | 106 |
| 9014794 | 24 V DC 2 Conductor Power Cable for 1241142 motor (cable provided with motor) | 23 |
| 9020005 | RTS Power Cable for 1134023 motors (cable provided with motor) | 61 |
| 24v 5 Motor | 24v 5 Motor Power/Distribution Panel (for ST-30 & ULTRA DC) | 1246 |
| 24v 10 Motor | 24v 10 Motor Power/Distribution Panel (for ST-30 & ULTRA DC) | 1515 |

| SOMFY RTS | | |
|--|---|-------------|
| Part # | SOMFY 110v AC Line Voltage RTS Motors-Interior/Exterior | MSRP |
| 1001636 | Sonesse 40 RTS 404S2 (w/ 11' pigtail) | 872 |
| 1240380 | Sonesse 40 RTS 404S2 (with 19" FAST CONNECT) | 872 |
| 1240382 | Sonesse 40 RTS 409R2 (w/ 19" FAST CONNECT) | 916 |
| 1002562 | Sonesse ULTRA 506A2 RTS | 1012 |
| 1001809 | Sonesse 506S2 RTS (non-ULTRA) | 752 |
| 1001807 | Sonesse 510S S2 RTS | 1088 |
| RTS MOTOR CABLES & PLUGS | | |
| Note: LT-40 Motor cables ARE NOT Removable and Motors are Ordered with the Fast Connect Motor Side Cable Preinstalled | | |
| Note: LT-50 Motor cables ARE Removable and Motors are Ordered with the Motor Side Fast Connect Cable-9020803 below | | |
| Part # | LT-50 RTS & RS485 (SDN) 3 Wire | MSRP |
| 9020803 | LT50 RTS & RS485 (SDN) Motor Side to FAST Connect Cable - 1.6' | 80 |
| Part # | 3 WIRE RTS, RS485 (SDN) Fast Connect Extension Cables with AC Plug | MSRP |
| 9021113 | Fast Connect RTS/RS485 (SDN) Extension Cable w/ AC plug - 1.4' | 47 |
| 9021114 | Fast Connect RTS/RS485 (SDN) Extension Cable w/ AC plug - 4.4' | 54 |
| 9021115 | Fast Connect RTS/RS485 (SDN) Extension Cable w/ AC plug - 8.4' | 64 |
| 9020791 | Fast Connect RTS/RS485 (SDN) Extension Cable w/ AC plug - 10.4' | 86 |
| 9020792 | Fast Connect RTS/RS485 (SDN) Extension Cable w/ AC plug - 18' | 107 |
| 9020793 | Fast Connect RTS/RS485 (SDN) Extension Cable w/ AC plug - 24' | 126 |
| Part # | RTS, RS485 (SDN) 3 Wire Fast Connect Cables without Plug | MSRP |
| 9021157 | Fast Connector RTS/RS485 (SDN) Extension Cable OPEN LEADS - 8.4' | 66 |
| Part # | Other Motor Cable & Plug Options | MSRP |
| AP Loose | Angle AC Plug installed on motor (cable length must be specified) | 34 |
| AP installed | Angle AC Plug installed on motor (cable length must be specified) | 59 |

| Part # | RTS RS485 (SDN) 3 WIRE Cables with Plug for LT 50 | MSRP |
|---------------------------|--|-------------|
| 9021049 | LT50 RTS/RS485 Motor Cable w/ AC Plug – 1.5' | 34 |
| 9021050 | LT50 RTS/RS485 Motor Cable w/ AC Plug – 6' | 47 |
| 9021051 | LT50 RTS/RS485 Motor Cable w/ AC Plug – 10' | 49 |
| 9021052 | LT50 RTS/RS485 Motor Cable w/ AC Plug – 18' | 62 |
| 9021053 | LT50 RTS/RS485 Motor Cable w/ AC Plug – 24' | 103 |
| Part # | LT-50 RTS RS 485 3 WIRE Cables without AC Plug | MSRP |
| 9018190 | LT50 RTS/RS485 Motor Cable OPEN LEADS AC Plug – 10' | 66 |
| 9020985 | LT50 RTS/RS485 Motor Cable OPEN LEADS AC Plug – 24' | 115 |
| SOMFY RTS CONTROLS | | |
| Part # | Situo Handheld RTS Controls - Interior Use Only | MSRP |
| 1870571 | Situo 1 Pure - white (stocked) | 122 |
| 1870572 | Situo 1 Iron | 176 |
| 1870573 | Situo 1 Natural | 176 |
| 1870574 | Situo 1 Arctic | 176 |
| 1870575 | Situo 5 Pure - white (stocked) | 160 |
| 1870576 | Situo 5 Iron | 215 |
| 1870577 | Situo 5 Natural | 215 |
| 1870578 | Situo 5 Arctic | 215 |
| 1811081 | Telis 16 Pure - white | 544 |
| 1811082 | Telis 16 - silver | 599 |
| 1805237 | Telis 1 Chronis Pure | 431 |
| Part # | Telis Handheld RTS Controls – Exterior & Interior Use | MSRP |
| 1810643 | Telis 1 Patio Transmitter exterior/interior | 166 |
| 1810645 | Telis 4 RTS Patio Transmitter-exterior | 231 |
| Part # | Smooove Wall Mounted RTS Controls | MSRP |
| 1811533 | Smooove 1 RTS Pure - white (stocked) | 161 |
| 1811748 | Smooove 4 RTS Pure - white (stocked) | 200 |
| 9015022 | Smooove Frame Pure - white | 6 |
| 9015023 | Smooove Frame - black | 17 |
| 9015025 | Smooove Frame - silver matte | 17 |
| 9015026 | Smooove Frame - amber bamboo | 54 |
| 9015027 | Smooove Frame - light bamboo | 54 |
| 9015236 | Smooove Frame - cherry | 54 |
| 9015237 | Smooove Frame - walnut | 54 |
| 9015238 | Smooove Frame Double - pure | 54 |

| Part # | MISC RTS Controls | | | | | MSRP |
|--|--|-------------|---|-------------|---------------|-------------|
| 1811731 | Tahoma RTS Interface | | | | | 505 |
| 1870470 | Tahoma Ethernet Adapter | | | | | 43 |
| 1810872 | Somfy Universal RTS Interface II - URTSI | | | | | 972 |
| 1810791 | RTS Repeater | | | | | 441 |
| 9013707 | RTS Sunis Indoor WireFree Sun Sensor | | | | | 473 |
| DecoFlex in Wall Wireless Remote Controls | | | | | | |
| White | | | Ivory | | Black | |
| | Part # | MSRP | Part # | MSRP | Part # | MSRP |
| DecoFlex 1 | 1810897 | 306 | 1810898 | 308 | 1810899 | 353 |
| DecoFlex 2 | 1811068 | 310 | 1811069 | 310 | 1811067 | 370 |
| DecoFlex 3 | 1811071 | 314 | 1811072 | 314 | 1811070 | 362 |
| DecoFlex 4 | 1811074 | 317 | 1811075 | 317 | 1811073 | 366 |
| DecoFlex 5 | 1810813 | 321 | 1810814 | 321 | 1810830 | 370 |
| Part # | | MSRP | Custom Engraving Available-contact Customer Service | | | |
| 1811185 | DecoFlex Table Top White | 71 | | | | |
| 1811051 | DecoFlex Table Top Black | 71 | | | | |
| 1810972 | DecoFlex Table Top Silver | 71 | | | | |

| SOMFY STANDARD MOTORS - Interior | | |
|---|---|-------------|
| Part # | Somfy Standard Motors – 4 Conductor | MSRP |
| 1001553 | Sonesse 40 404S2 RH - WITHOUT FAST CONNECT | 573 |
| 1240377 | Sonesse 40 404S2 RH - WITH 4 wire FAST CONNECT | 573 |
| 1240379 | Sonesse 40 409S2 RH - WITH 4 wire FAST CONNECT | 615 |
| 1002558 | Sonesse ULTRA 506S2 Star Head | 774 |
| 1001814 | Sonesse 506S2 Star Head | 673 |
| 1001813 | Sonesse 510S2 Star Head | 821 |
| Part # | Standard Motor Cable Options – 4 Conductor | MSRP |
| 9012160 | Anderson Power Plug Installed on Motor side (male-white) 12" | 28 |
| 9012161 | Anderson Power Plug Installed on J-Box side (female-black) 60" | 29 |
| | Wago Plug loose | 46 |
| | Wago Plug Installed on Motor | 80 |
| Part # | 4 Conductor Fast Connect Extension Cable with Open Leads | MSRP |
| 9020804 | LT50 4 Wire Motor Pigtail to Fast Connector - 1.6' | 80 |
| 9021117 | Fast connector Extension Cable 4 Wire - 4.4' | 57 |
| 9021118 | Fast connector Extension Cable 4 Wire - 8.4' | 67 |
| 9021120 | Fast connector Extension Cable 4 Wire - 16.4' | 101 |
| 9021121 | Fast connector Extension Cable 4 Wire - 22.4' | 117 |
| 9018345 | LT50 4 Wire Motor Cable with Open Leads – 10' | 64 |
| 9021046 | LT50 4 Wire Motor Cable with Open Leads – 24' | 137 |
| Part # | Standard Motor Controls | MSRP |
| 1811416 | IGC 4n1 Motor Controller | 870 |
| 1811402 | Decoflex Dry Contact Keypad | 113 |
| 1811492 | IGC 4n1 RTS Radio Receiver | 354 |
| 1800374 | Single Pole Double Throw Maintained Decora Switch White | 45 |
| 1800373 | Single Pole Double Throw Maintained Decora Switch Ivory | 41 |
| 1800375 | Double Pole Double Throw Maintained Decora Switch White | 82 |
| 1800376 | Double Pole Double Throw Maintained Decora Switch Ivory | 82 |

| SOMFY DIGITAL NETWORK - SDN | | |
|------------------------------------|---|-------------|
| Part # | Somfy Digital Network (SDN) RS485 Motors | MSRP |
| 1134022 | Sonesse ULTRA 504 A8 DC RS485 (24v DC Motor) | 1329 |
| 1000658 | Sonesse 30 RS485 (24v DC Motor) | 867 |
| 1002566 | Sonesse ULTRA 506A2 RS485 (110v AC) | 1246 |
| 1002286 | Sonesse 506S2 RS485 | 1174 |
| 1002287 | Sonesse 510S2 RS485 | 1321 |
| Part # | RS485 Power & Data Cable Options- Power & Data Grey | MSRP |
| 9018545 | 4 Cond. 26 AWG modular cable with RJ9 on one end and RJ45 other end-2.5 ft. | 25 |
| 9018546 | 4 Cond. 26 AWG modular cable with RJ9 on one end and RJ45 other end-8 ft. | 39 |
| 9018547 | 4 Cond. 26 AWG modular cable with RJ9 on one end and RJ45 other end-12 ft. | 44 |
| 9018548 | 4 Cond. 26 AWG modular cable with RJ9 on one end and RJ45 other end-24 ft. | 56 |
| Part # | Data Only Black | MSRP |
| 9018541 | 4 Cond. 26 AWG modular cable with RJ9 on one end and RJ45 other end-2.5 ft. | 25 |
| 9018542 | 4 Cond. 26 AWG modular cable with RJ9 on one end and RJ45 other end-8 ft. | 39 |
| 9018543 | 4 Cond. 26 AWG modular cable with RJ9 on one end and RJ45 other end-12 ft. | 44 |
| 9018544 | 4 Cond. 26 AWG modular cable with RJ9 on one end and RJ45 other end-24 ft. | 56 |
| Part # | RS485 Accessories | MSRP |
| 1822440 | Buss & Sensor Station Power Supply | 302 |
| 1870259 | Power Panel for SDN | 3096 |
| 1870262 | Data HUB | 225 |
| 1870272 | Somfy Connect Universal Automation Interface (UAI) Plus | 1160 |
| 9015260 | USB to RS485 Adaptor for SDN | 898 |
| 9017142 | RS485 Motor Limit Setting & Address Reader Tool | 849 |
| 9019873 | RS485 Sonesse ULTRA 50 Dc SETTING Tool Cable - 20' | 196 |
| 1811252 | SDN Decoflex Keypad 6 button (white) | 302 |
| 1811253 | SDN Decoflex Keypad 8 button (white) | 326 |
| 1800219 | Dry Contact Open, Close, Stop Wall Switch (White) | 154 |
| 1800220 | Dry Contact Open, Close, Stop Wall Switch (Ivory) | 162 |
| 1822294 | RTS Receiver for SDN | 216 |

| AUTOMATE RADIO COMMUNICATION BY ROLLEASE ACMEDA | | |
|--|---|-----|
| PART # | MOTORS | |
| MT01-1320-069001 | 5 Volt Li-Ion 0.5nm 20mm Motor | 450 |
| MT01-1325-069001 | 5 Volt Li-Ion 1.1nm 25mm Motor SHORT | 450 |
| MT01-1325-069002 | 5 Volt Li-Ion 1.1nm 25mm Motor | 450 |
| MT01-1328-069001 | 5 Volt Li-Ion 2.0nm 28mm Motor | 547 |
| MT01-1335-069001 | 5 Volt Li-Ion 3.0nm 35mm Motor | 613 |
| MT01-1345-069001 | 5 Volt Li-Ion 3.0nm 45mm Motor | 658 |
| MT01-1345-069002 | 5 Volt Li-Ion 10.0nm 45mm Motor | 703 |
| PART # | CHARGER & CABLES | |
| MT03-0301-069008 | 5V USB Charger - Includes 157" MT03-0301-069007 | 47 |
| MT03-0301-069007 | 5V USB Charging Cable - 157" | 28 |
| MT03-0301-069014 | 5V USB Charging Extension Cable - 8" | 13 |
| MT03-0301-069013 | 5V USB Charging Extension Cable - 48" | 20 |
| PART # | SOLAR CHARGER & CABLES | |
| MT03-0302-067001 | Solar Panel 2.0 for 5V Motors | 253 |
| PART # | CONTROLS - HAND HELD | |
| MTRF-REM 1C | 1 Channel Remote - White | 153 |
| MT02-0101-067004 | Push5 5 Channel Remote - White | 158 |
| MT02-0101-050004 | Push5 5 Channel Remote - Black | 158 |
| MT02-0101-067008 | Push15 15 Channel Remote - White | 181 |
| MT02-0101-050008 | Push15 15 Channel Remote - Black | 181 |
| PART # | CONTROLS - WALL MOUNT | |
| MTRF-WS-1C | 1 Channel Wall Switch - Cut In - White | 92 |
| MTRF-WS-2C | 2 Channel Wall Switch - Cut In - White | 103 |
| MTRF-WS5-FLUSH | 5 Channel Wall Switch - Surface Mount - White | 139 |
| MTRF-WS-15 | 15 Channel Wall Switch - Cut In - White | 146 |
| MTRF-WS-COVER | Decorator Screw-less Switch Cover Plate - White | 25 |
| PART # | AUTOMATION ACCESSORIES | |
| MT02-0401-067001 | Automate Pulse 2 Bridge - White/Platinum | 504 |
| MT02-0401-069007 | ARC USB Repeater - White | 172 |
| MTRF-SUNSENS | Internal Sun Sensor | 78 |
| <p>Note: These prices represent the upcharge to motorize Pristine Roller Shades with Automate Radio Communication (ARC). Add this price to the manual shade price.</p> | | |

Porter Preston
 61 Mattatuck Heights Road Waterbury, CT 06705
 PH 866-753-1113
 FX 203-597-8828

customerservice@porterpreston.com
 www.porterpreston.com



Quality Wholesale Window Coverings
Contract • Hospitality • Healthcare • Residential

LIFETIME LIMITED WARRANTY FOR CUSTOM ROLLER SHADES

Porter Preston proudly extends a lifetime-limited warranty on the enclosed product to the original retail purchaser as long as the product remains in the original window.

WARRANTY COVERAGE

| | |
|--|---------------------|
| Entire product against manufacturing defects (i.e., a flaw in the product design, materials or workmanship that causes the product to no longer function)..... | Lifetime |
| All fabric (except laminated shades)..... | 5 years |
| Somfy/Rollease products..... | 5 years |

NOT COVERED

Normal wear and tear

Any product that fails due to:

- abuse
- exposure to salt air
- improper installation
- accident
- extraordinary use
- improper operation
- alterations
- improper cleaning
- misapplication
- damage from pets/insects
- improper handling
- misuse

Any product that, with the

passage of time, has:

- loss of color intensity

Costs associated with:

- product removal
- transportation to and from the retailer
- brand label removal
- product remeasure
- incidental or consequential damages
- product reinstallation
- shipping

In the event there are multiple shades in the same room, only the defective shade will be replaced.

If damage occurred during shipping, call 1-866-753-1113 and report within 14 calendar days or else you may be denied credit for your damaged product.

Any unauthorized returns will not be accepted.

THIS SHALL BE YOUR SOLE REMEDY UNDER THIS LIMITED WARRANTY.

If this product is found to have a manufacturing defect in materials or workmanship, we will (at our discretion) do one of the following:

- repair the product
- replace the product
- refund the cost of the product
- Colors vary from lot to lot and may not exactly match sample swatch or previous purchases.
- Discontinued items or color selections will be replaced with the closest equivalent current product.

YOUR RIGHTS UNDER STATE LAW

This lifetime limited warranty gives you specific legal rights, and you may have other rights, which vary from state to state. Some states do not allow limitations on how long a warranty lasts, so the above limitations may not apply to you. No agent, representative, dealer, or unauthorized employee has the authority to increase or alter the obligation of this warranty. This lifetime limited warranty supersedes any previous versions.