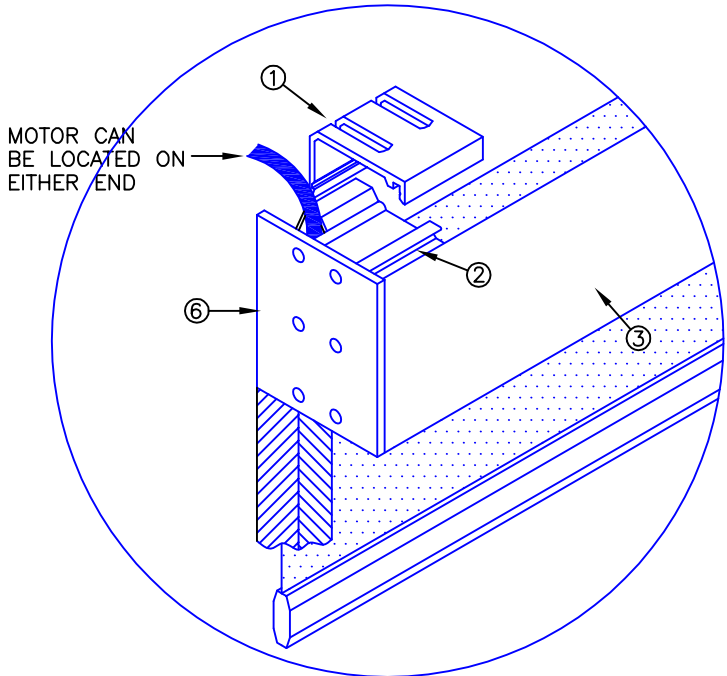
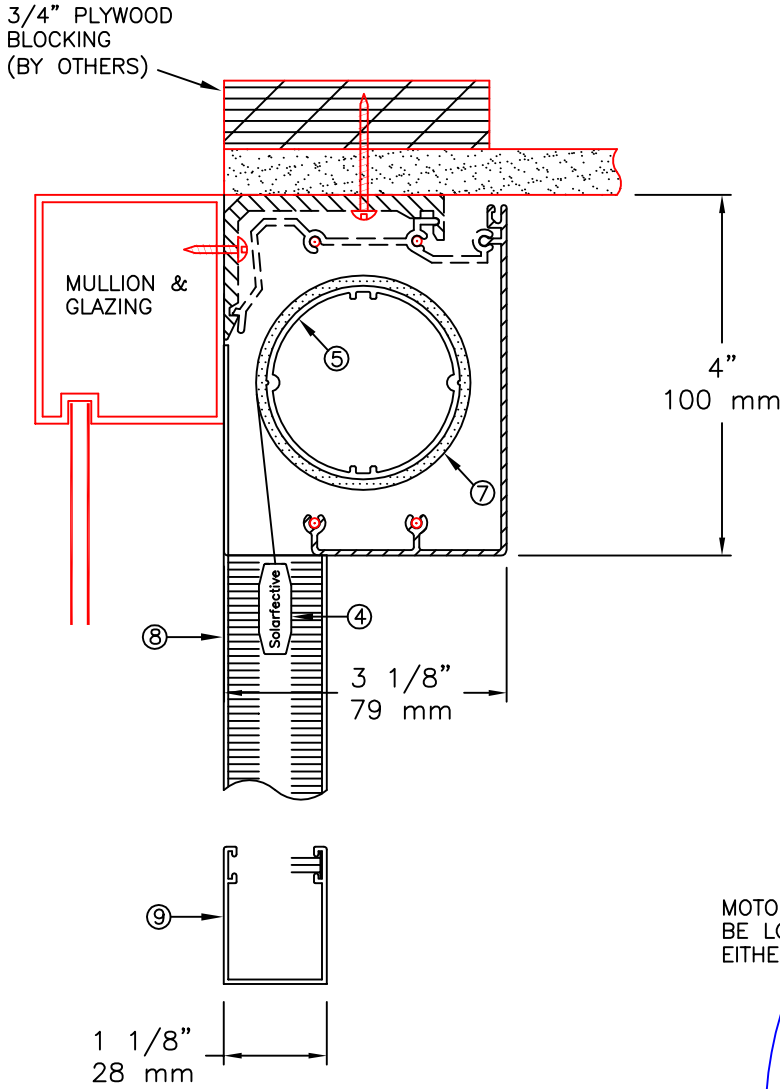


THE TELESHADE CAN BE MOUNTED TO THE CEILING OR TO THE FACE OF THE MULLION



- NOTES:**
1. MOUNTING ANGLE
 2. SPRING CLIP
 3. EXTRUDED ALUMINUM FASCIA
 4. EXTRUDED ALUMINUM EXTERIOR HEMBAR
 5. 2" ϕ EXTRUDED ALUMINUM TUBE
 6. ALUMINUM END BRACKETS
 7. FABRIC:
 8. MOTORIZED BLACKOUT SIDE CHANNELS
 9. MANUAL BLACKOUT BOTTOM CHANNEL

**** NOTE ****
 JUNCTION BOX TO BE LOCATED WITHIN 3 FT OF MOTOR LOCATION. MOTOR LOCATION TO BE DETERMINED WITH SOLARFECTIVE REPRESENTATIVE.

Solarfective

55 Hymus Road, Scarborough
 Ontario, Canada. M1L 2C6

Tel. (416) 421-3800
 Fax. (416) 421-8424

Web Site: www.solarfective.com
 Email: shades@solarfective.com

MOTORIZED TELESHADE SYSTEM
 SIDE AND BOTTOM CHANNELS

PROJECT:	-				
DATE:	SCALE:	FILE No.	DRAWN:	DWG. No.	REV
JAN. 01, 2015	N.T.S.	-	ADIE	RD-4	0