

DOOR SCHEDULE (STOREFRONT DOORS AND FRAMES)							
DOOR #	OPENING SIZE	HW SET	HAND	DOOR TYPE	FRAME	FRAMING	AREA
100	6'-0" X 7'-0"	12	PRSO	ALUM./GLASS	C1	T14000	ENTRY 100
X100	6'-0" X 7'-0"	11	PRSO	ALUM./GLASS	C	T14000	ENTRY 100
X101	3'-0" X 7'-0"	02	LH-HRSO	ALUM./GLASS	F	T14000	MARKET 101
X102	3'-0" X 7'-0"	02	LH-HRSO	ALUM./GLASS	F	T14000	MULTI-USE ASSEMBLY 102
X103	3'-0" X 7'-0"	02	RH-HLSO	ALUM./GLASS	E	T14000	KITCHEN 103

DOOR NOTES:

- 1) INTERIOR STOREFRONT DOORS ARE STANDARD TUBLITE WIDE STILE, 1 3/4" THICK WITH A 5" TOP RAIL AND 10" BOTTOM RAIL, TO ACCEPT 1" GLASS.
- 2) EXTERIOR STOREFRONT DOORS ARE STANDARD TUBELITE WIDE STILE, 1 3/4" THICK WITH A 5" TOP RAIL AND 10" BOTTOM RAIL, TO ACCEPT 1" GLASS.

STOREFRONT DOOR HARDWARE NOTES:

- 1) ALL HARDWARE FOR ALUMINUM STOREFRONT DOORS IS SUPPLIED, PREPPED, AND INSTALLED BY SIXTH CITY GLAZING PER THE APPROVED HARDWARE SCHEDULE. AN APPROVED HARDWARE SCHEDULE MUST BE SUPPLIED. ANY DELAY IN RECEIVING AN APPROVED HARDWARE SCHEDULE WILL RESULT IN A DIRECT DELAY OF THE DOOR FABRICATION.

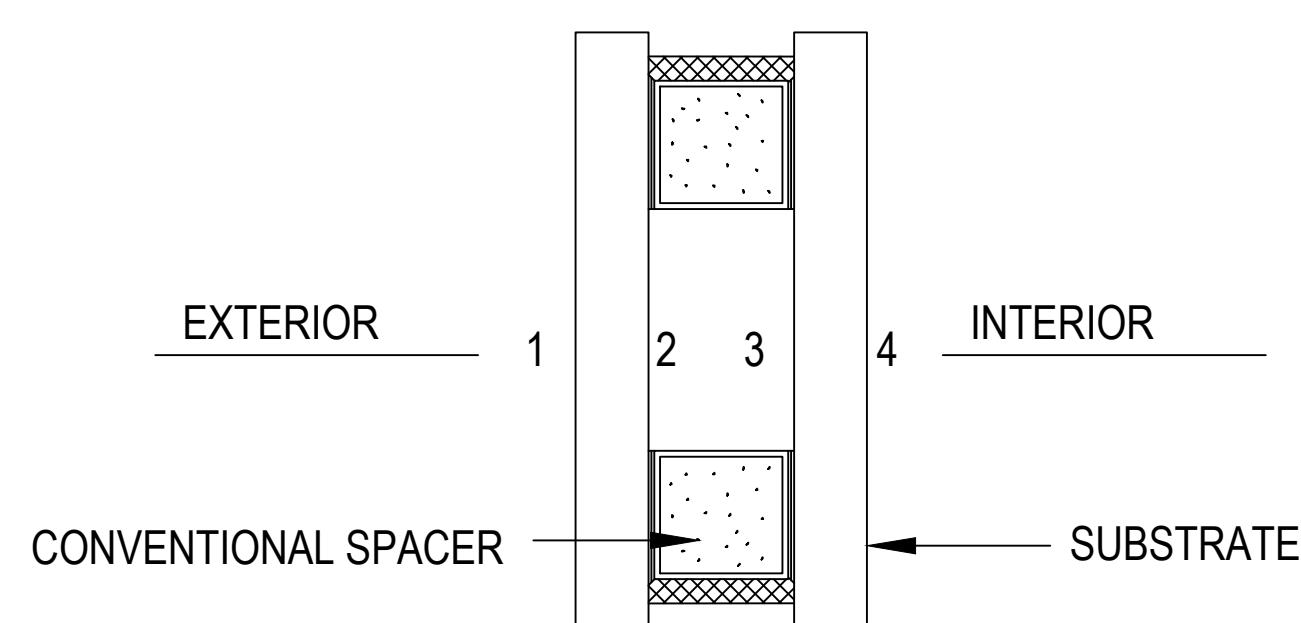
WINDOW SYSTEM SCHEDULE					
WINDOW	FINISH	SYSTEM	DOOR	GLAZING	QUANTITY
CW1	BLACK ANODIZED	TUBELITE 400T - 2 1/2" X 10 1/4" EXT. CURTAINWALL TO ACCEPT 1" GLASS	N/A	IGU-1 IGU-1T	1
A	BLACK ANODIZED	TUBELITE T14000 - 2" X 4 1/2" EXT. STOREFRONT, CENTER SET TO ACCEPT 1" GLASS	N/A	IGU-1	18
B	BLACK ANODIZED	TUBELITE T14000 - 2" X 4 1/2" EXT. STOREFRONT, CENTER SET TO ACCEPT 1" GLASS	N/A	IGU-1	1
C	BLACK ANODIZED	TUBELITE T14000 - 2" X 4 1/2" EXT. STOREFRONT, CENTER SET TO ACCEPT 1" GLASS	X100	IGU-1 IGU-1T	1
C1	BLACK ANODIZED	TUBELITE T14000 - 2" X 4 1/2" EXT. STOREFRONT, CENTER SET TO ACCEPT 1" GLASS	100	IGU-2 IGU-2T	1
D	BLACK ANODIZED	TUBELITE T14000 - 2" X 4 1/2" EXT. STOREFRONT, CENTER SET TO ACCEPT 1" GLASS	N/A	IGU-1T IGU-2T	1
E	BLACK ANODIZED	TUBELITE T14000 - 2" X 4 1/2" EXT. STOREFRONT, CENTER SET TO ACCEPT 1" GLASS	X103	IGU-1 IGU-1T	1
F	BLACK ANODIZED	TUBELITE T14000 - 2" X 4 1/2" EXT. STOREFRONT, CENTER SET TO ACCEPT 1" GLASS	X101 X102	IGU-1 IGU-1T	2

STOREFRONT & DOOR FINISH

BLACK ANODIZED

GLASS SCHEDULE	
SYMBOL	DESCRIPTION (SEE SUBMITTALS)
IGU-1	1" INSULATED VISION ANNEALED -1/4" CLEAR ANNEALED WITH SB60 ON #2 SURFACE -1/2" AIR SPACE -1/4" CLEAR ANNEALED
IGU-1T	1" INSULATED VISION TEMPERED -1/4" CLEAR TEMPERED WITH SB60 ON #2 SURFACE -1/2" AIR SPACE -1/4" CLEAR TEMPERED
IGU-2	1" INSULATED VISION ANNEALED -1/4" CLEAR ANNEALED -1/2" AIR SPACE -1/4" CLEAR ANNEALED
IGU-2T	1" INSULATED VISION TEMPERED -1/4" CLEAR TEMPERED -1/2" AIR SPACE -1/4" CLEAR TEMPERED

GLASS ILLUSTRATION



ARCH/GC GLASS NOTES:

ALL GLAZING TYPES LISTED HERE ARE BASIC DESCRIPTIONS. REFERENCE SIXTH CITY'S SEPARATE SUBMITTALS FOR A COMPLETE GLASS SCHEDULE. ARCHITECT TO CHOOSE GLASS TINT AND MAKE UP FROM PROVIDED SAMPLES.

03.07.23	04.18.23
1ST SUBMISSION	1ST REVISION (ENGINEERING)
	DESCRIPTION
	DRAWING SUBMISSION

MID-OHIO FARM ON THE HILLTOP
140 N. WHEATLAND AVE.
COLUMBUS, OHIO 43204

SIXTH CITY GLAZING
11941 ABBEY ROAD, UNIT E
NORTH ROYALTON, OH 44133

DRAWN BY:	DATE:
BG	03.07.23
CHECKED BY:	DATE:
RS	03.07.23

Heading #02

1 Single Door #X101	ALUMINUM	RHR
1 Single Door #X102	ALUMINUM	RHR
1 Single Door #X103	ALUMINUM	LHR

Opening Description: 3' 0" x 7' 0" ALD Type ALD x ALF Type ALF

H001	3 Continuous Hinge	112XY 83"	628	IV
E001	1 Exit Device	CD 25-R-L-NL x 510L-NL QUANTUM	LHR US32D	FL
E001	2 Exit Device	CD 25-R-L-NL x 510L-NL QUANTUM	RHR US32D	FL
A001	6 Mortise Cylinder Housing	C987	626	FL
A002	6 Interchangeable Core	C607	626	FL
A003	6 Construction Core	C607CCA		FL
C001	3 Door Closer	SC71A SS/HO SC70-18 SC70-30 SC70-61 SC70-62A	689	FL
F001	3 Protection Plate	8400 10" X 34" B-CS	US32D	IV
M001	3 Switch	679-05HM		LO
W001	3 Length of Rain Drip	142AA 40"		ZE
W002	3 Gasket	429AA 1 x 36" 2 x 84"		ZE
W003	3 Sweep	8198AA 36"		ZE
W004	3 Threshold	65A 36" 223-MSLA-10		ZE

Heading #11

1 Pair Doors #X100	ALUMINUM	RHRA
--------------------	----------	------

Opening Description: 2 - 3' 0" x 7' 0" ALD Type ALD x ALF Type ALF

H001	1 Continuous Hinge	112XY 83"	628	IV
H002	1 Continuous Hinge	112XY 83" EPT	LH 628	IV
E002	1 Exit Device	CD 24-C-EO	LHR US26D	FL
E003	1 Exit Device	CD RX 24-C-C x 718C C	RHR US26D	FL
A001	2 Mortise Cylinder Housing	C987	626	FL
A002	3 Interchangeable Core	C607	626	FL
A003	3 Construction Core	C607CCA		FL
A004	1 Rim Cylinder	C953	626	FL
F002	2 Door Pull	8190EZHD-2 TYPE O MTG.	US32D316	IV
C002	1 Door Closer	SC71A HD/PA SC70-18PA SC70-30 SC70-61 SC70-62A	689	FL
C003	1 Operator	4642 REGARM TBWMS	AL	LC
S002	2 Overhead Stop	104S	US32D	GL
M002	1 Electric Power Transfer	EPT 10	SP28	VO
M003	2 Push Button	8310-853T		LC
M004	2 Switch	7764		LO
W003	2 Sweep	8198AA 36"		ZE
W005	1 Threshold	65A 72" 223-MSLA-10		ZE

Heading #12

1 Pair Doors #100	ALUMINUM	RHRA
-------------------	----------	------

Opening Description: 2 - 3' 0" x 7' 0" ALD Type ALD x ALF Type ALF

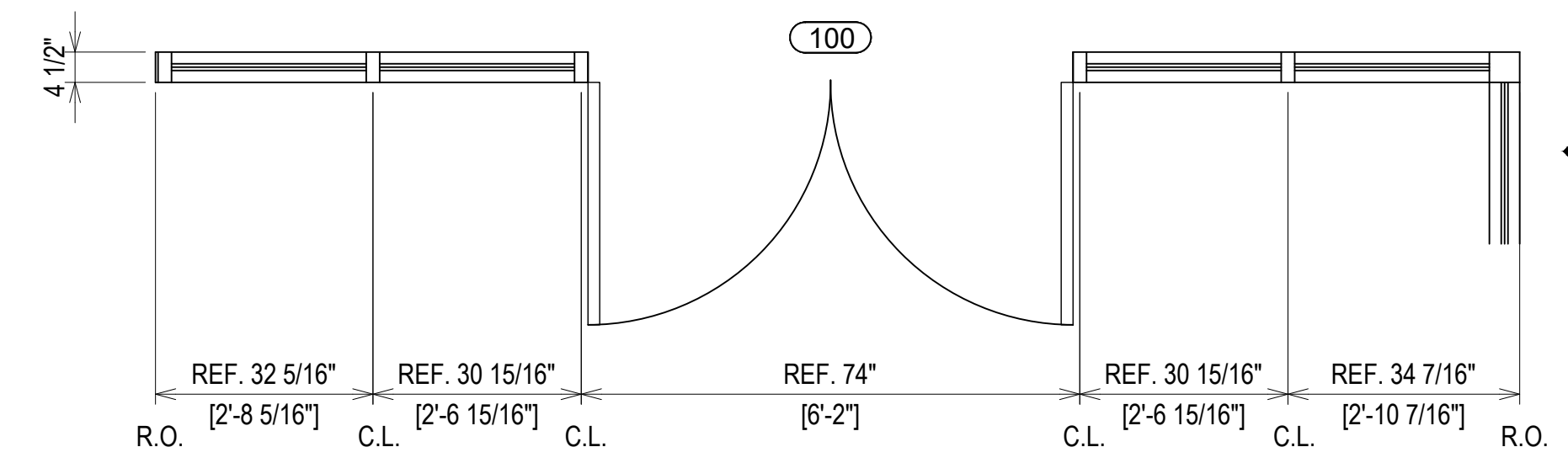
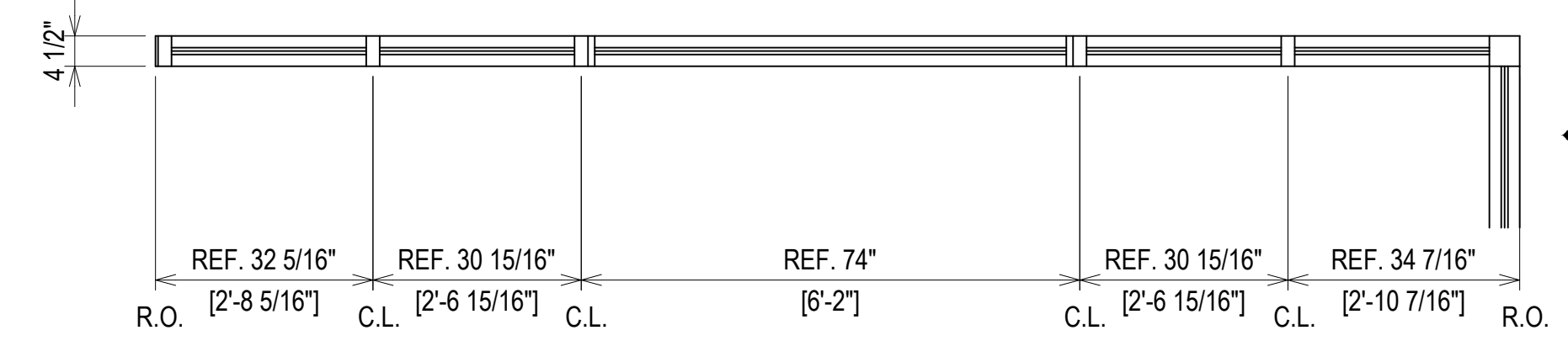
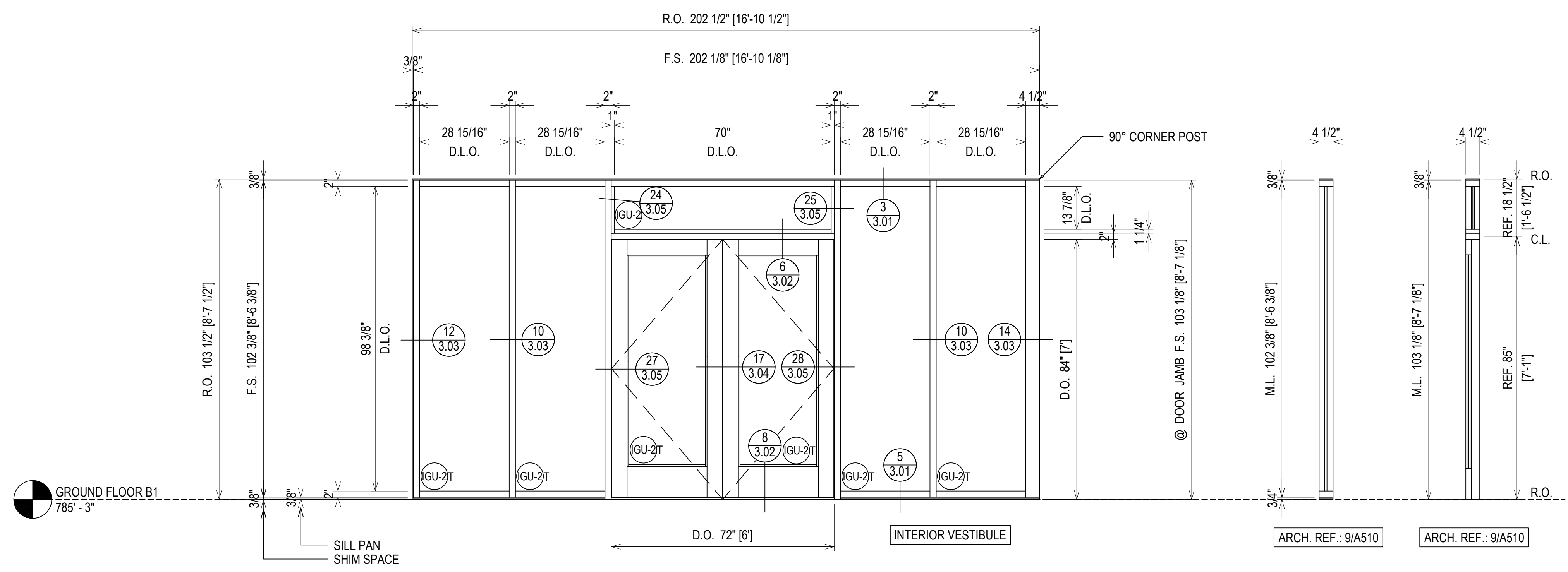
H001	2 Continuous Hinge	112XY 83"	628	IV
E004	2 Dummy Touch Bar	250DT 36"	US32D	FL
F002	2 Door Pull	8190EZHD-2 TYPE O MTG.	US32D316	IV
C002	1 Door Closer	SC71A HD/PA SC70-18PA SC70-30 SC70-61 SC70-62A	689	FL
C003	1 Operator	4642 REGARM TBWMS	AL	LC
S002	2 Overhead Stop	104S	US32D	GL
M003	2 Push Button	8310-853T		LC
W006	2 Sweep	8192AA 36"		ZE
W007	1 Threshold	655A 72" 223-MSLA-10		ZE

MID-OHIO FARM ON THE HILLTOP
 140 N. WHEATLAND AVE.
 COLUMBUS, OHIO 43204

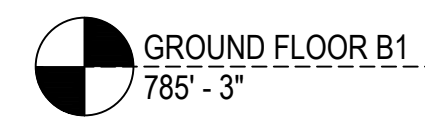
SIXTH CITY GLAZING
 11941 ABBEY ROAD, UNIT E
 NORTH ROYALTON, OH 44133

DRAWN BY:	DATE:
BG	03.07.23
CHECKED BY:	DATE:
RS	03.07.23

03.07.23
04.18.23
1ST SUBMISSION
1ST REVISION (ENGINEERING)
DRAWING SUBMISSION



ELEVATION C1
 SCALE: 1/2" = 1'-0"
 TUBELITE T14000 - 2" X 4 1/2"
 EXTERIOR STOREFRONT
 1" INSULATED GLASS (CENTER SET)
 QUANTITY: 1



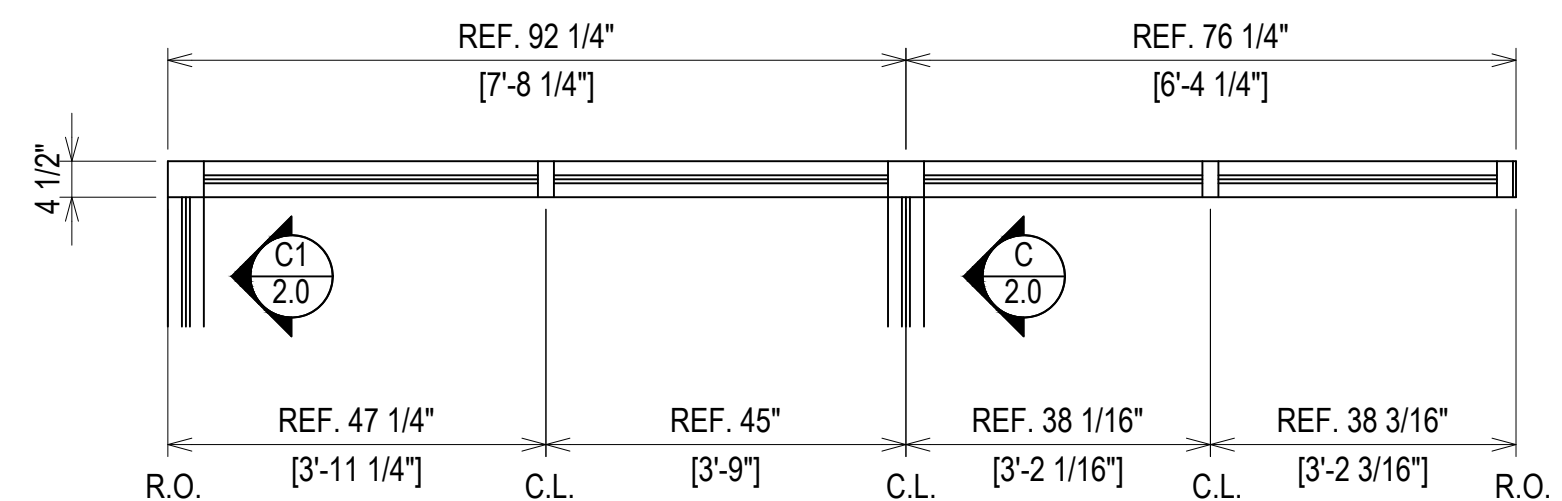
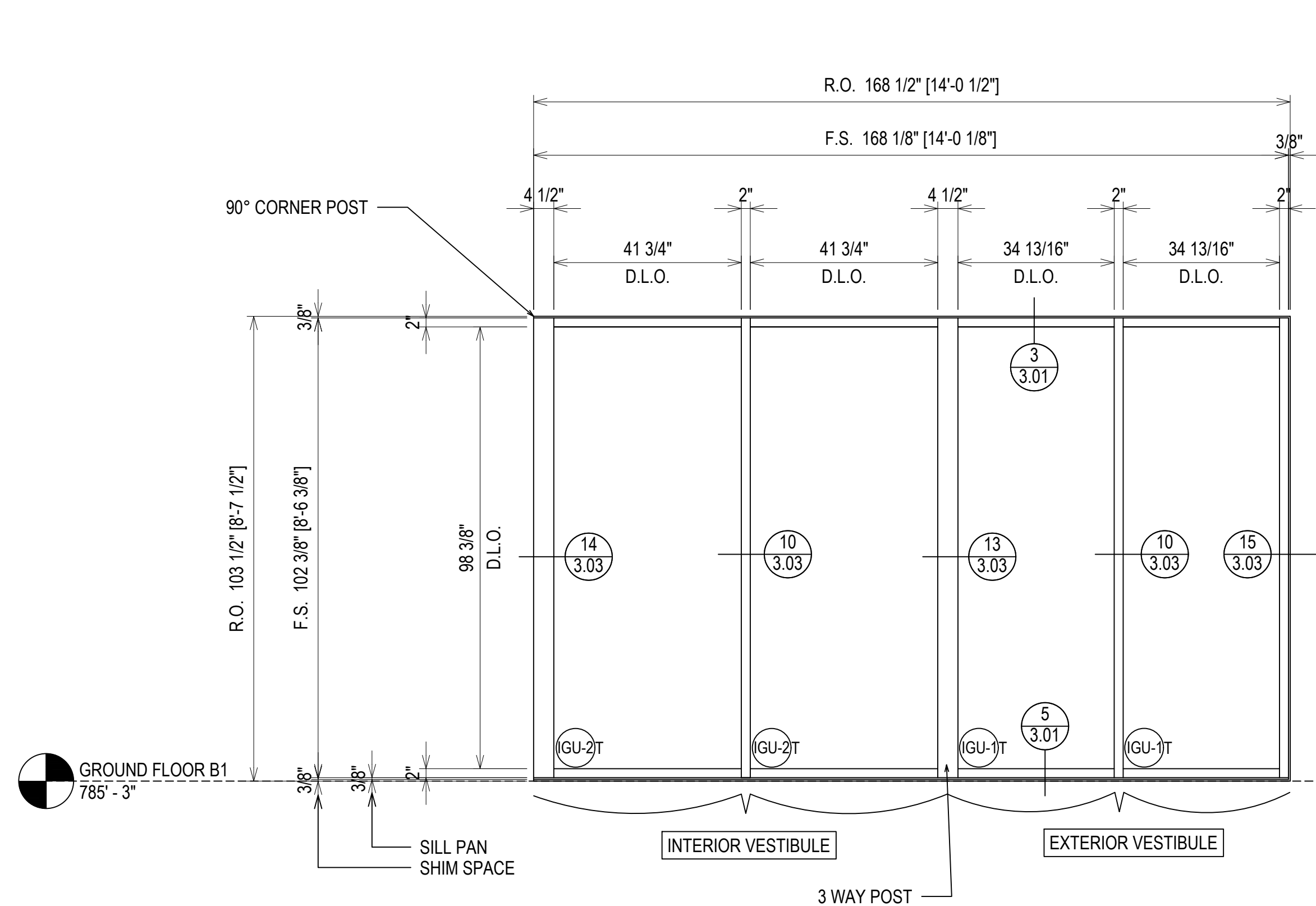
03.07.23	04.18.23
1ST SUBMISSION	1ST REVISION (ENGINEERING)
NO	DESCRIPTION
	DRAWING SUBMISSION

MID-OHIO FARM ON THE HILLTOP
 140 N. WHEATLAND AVE.
 COLUMBUS, OHIO 43204

SIXTH CITY GLAZING
 11941 ABBEY ROAD, UNIT E
 NORTH ROYALTON, OH 44133

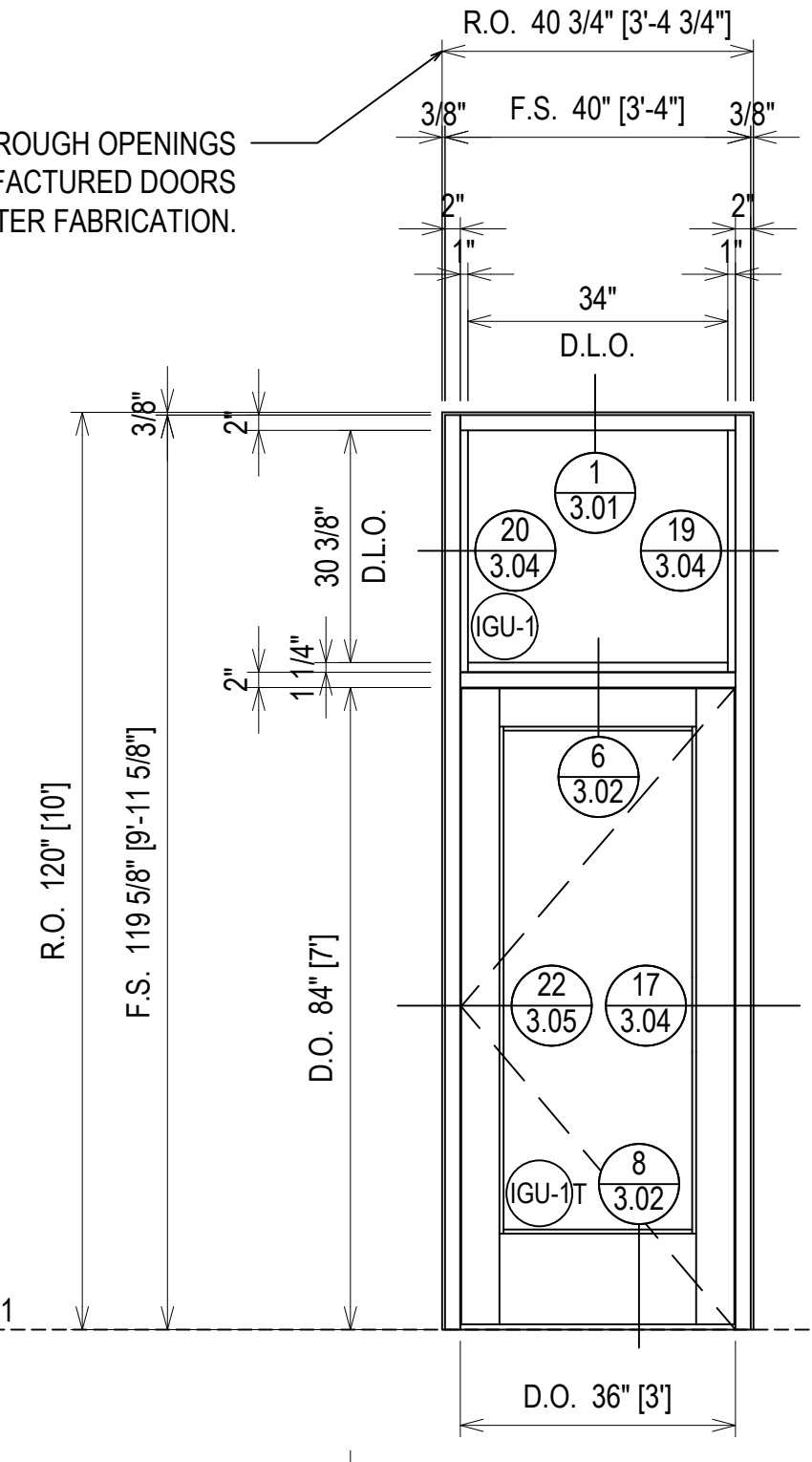
DRAWN BY: BG	DATE: 03.07.23
CHECKED BY: RS	DATE: 03.07.23

ERECTOR / G.C. NOTE:
 PLEASE FIELD VERIFY ALL DIMENSIONS



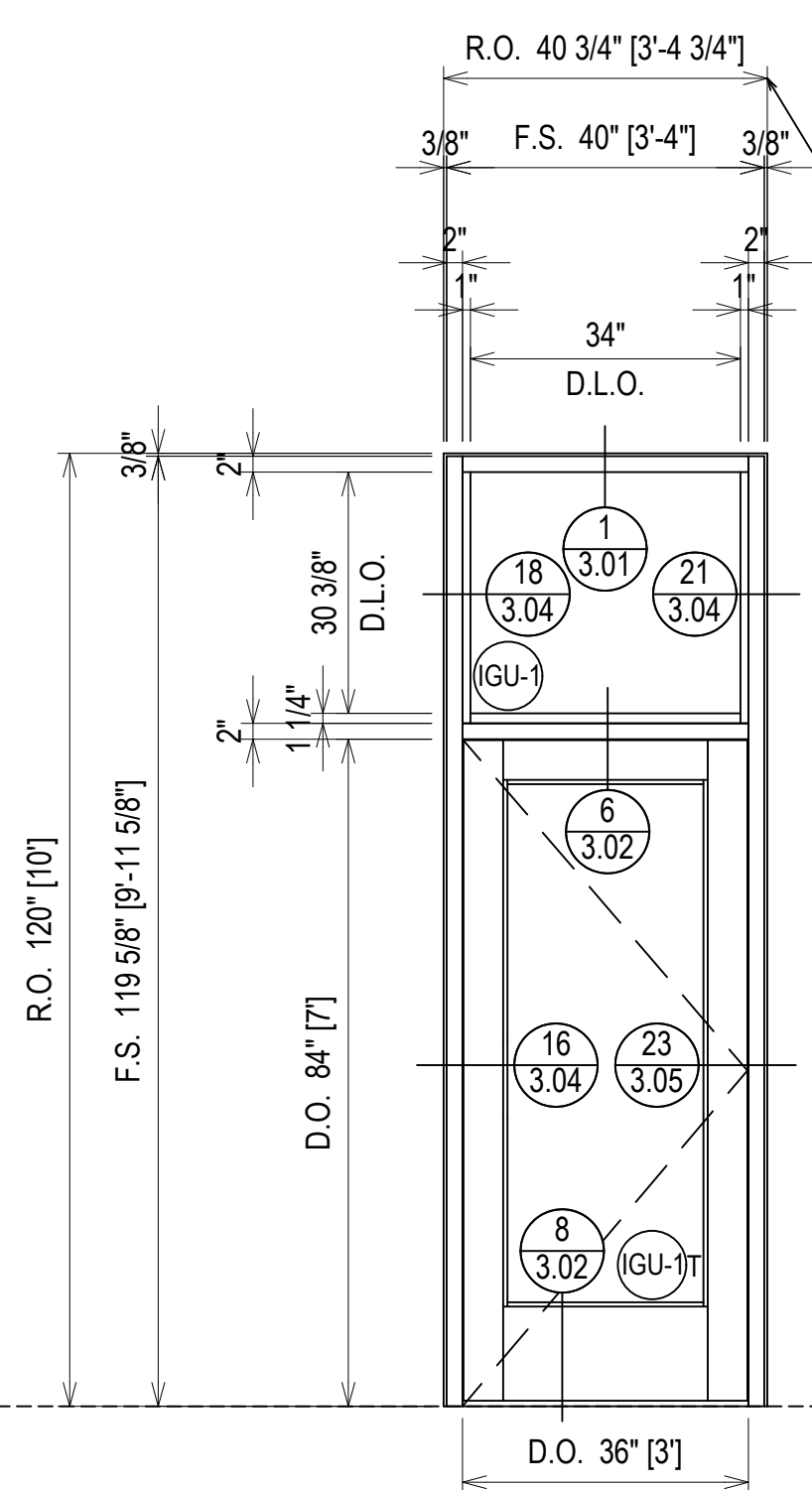
ELEVATION D
 SCALE: 1/2" = 1'-0"
 TUBELITE T14000 - 2" X 4 1/2"
 EXTERIOR STOREFRONT
 1" INSULATED GLASS (CENTER SET)
 QUANTITY: 1

GC: PLEASE COORDINATE THE ROUGH OPENINGS TO THESE SHOP DRAWINGS. PRE MANUFACTURED DOORS DO NOT ALLOW FOR ADJUSTMENT AFTER FABRICATION.



ELEVATION E
 SCALE: 1/2" = 1'-0"
 TUBELITE T14000 - 2" X 4 1/2"
 EXTERIOR STOREFRONT
 1" INSULATED GLASS (CENTER SET)
 QUANTITY: 1

GC: PLEASE COORDINATE THE ROUGH OPENINGS TO THESE SHOP DRAWINGS. PRE MANUFACTURED DOORS DO NOT ALLOW FOR ADJUSTMENT AFTER FABRICATION.



ELEVATION F
 SCALE: 1/2" = 1'-0"
 TUBELITE T14000 - 2" X 4 1/2"
 EXTERIOR STOREFRONT
 1" INSULATED GLASS (CENTER SET)
 QUANTITY: 2



03.07.23	
04.18.23	
1ST SUBMISSION	1ST REVISION (ENGINEERING)
	DESCRIPTION
NO	DRAWING SUBMISSION

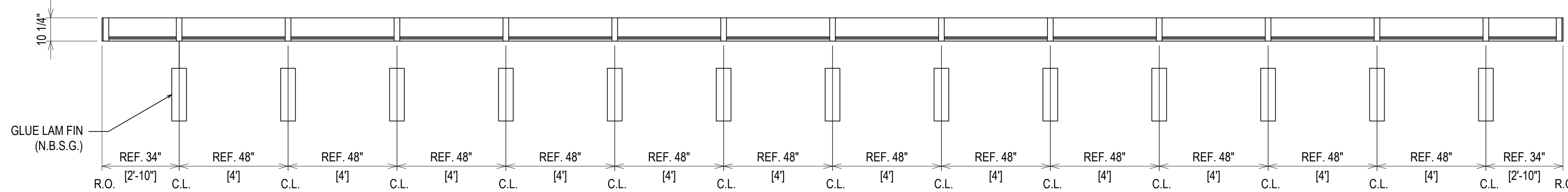
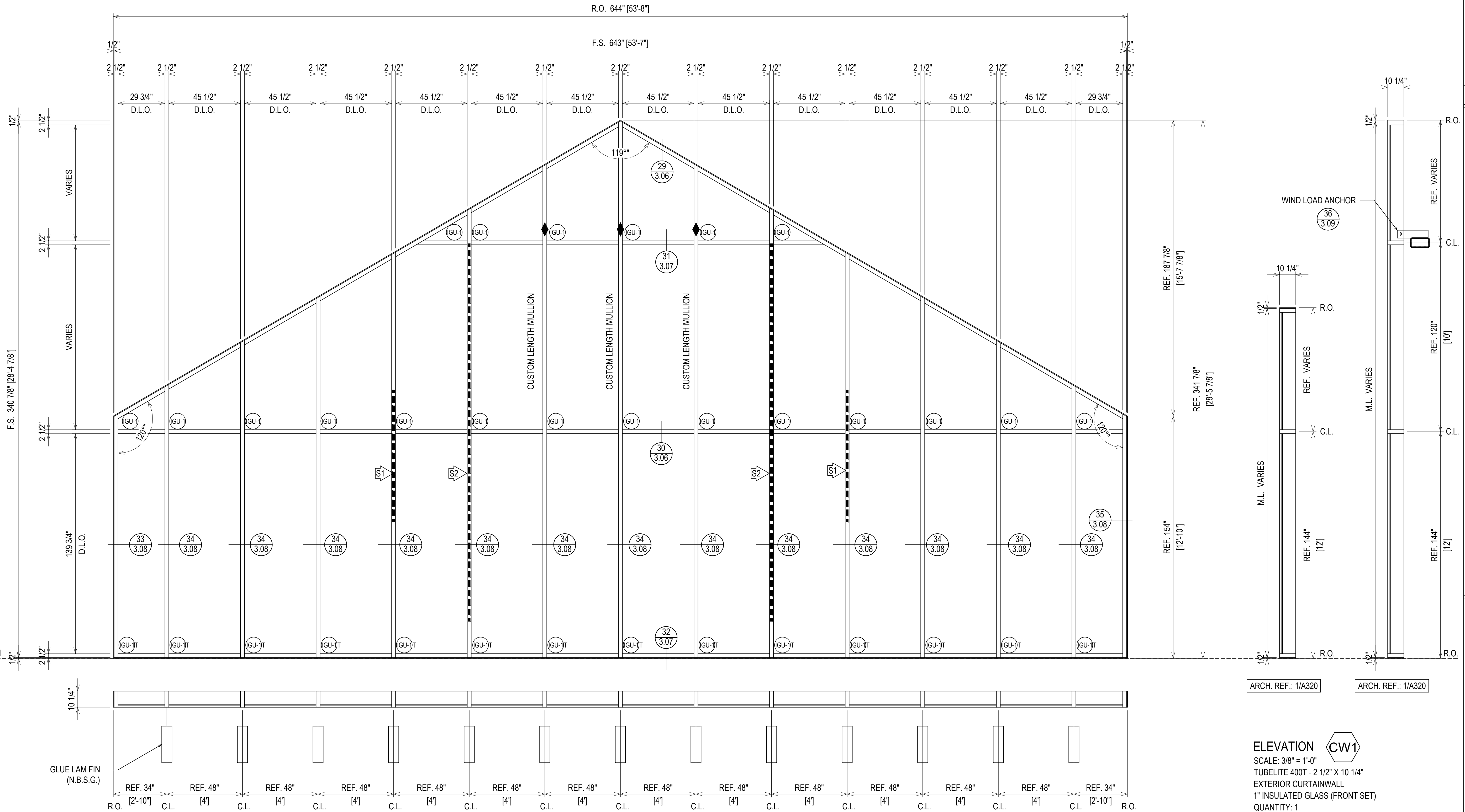
MID-OHIO FARM ON THE HILLTOP
 140 N. WHEATLAND AVE.
 COLUMBUS, OHIO 43204

SIXTH CITY GLAZING
 11941 ABBEY ROAD, UNIT E
 NORTH ROYALTON, OH 44133

DRAWN BY:	DATE:
BG	03.07.23
CHECKED BY:	DATE:
RS	03.07.23


ERECTOR / G.C. NOTE:
 PLEASE FIELD VERIFY ALL DIMENSIONS

-  E8TB02 MULLION WITH 5" X 2" X 1/8" STEEL TUBE (7'-0" LENGTH)
LOCATED 86" TO 170" FROM THE BOTTOM OF THE MULLION
-  E8TB02 MULLION WITH 5" X 2" X 1/8" STEEL TUBE (20'-0" LENGTH)
LOCATED 23" TO 263" FROM THE BOTTOM OF THE MULLION



GC: PLEASE MAKE SURE THE GLUE LAM FIN
ALIGNS WITH VERTICAL ON CURTAIN WALL.

INSTALLATION COORDINATION NOTE:
THE CURTAINWALL AND GLASS WILL NEED TO BE
INSTALLED PRIOR TO THE GLUE LAM FIN.
PLEASE COORDINATE IN THE FIELD.

ELEVATION 
SCALE: 3/8" = 1'-0"
TUBELITE 400T - 2 1/2" X 10 1/4"
EXTERIOR CURTAINWALL
1" INSULATED GLASS (FRONT SET)
QUANTITY: 1

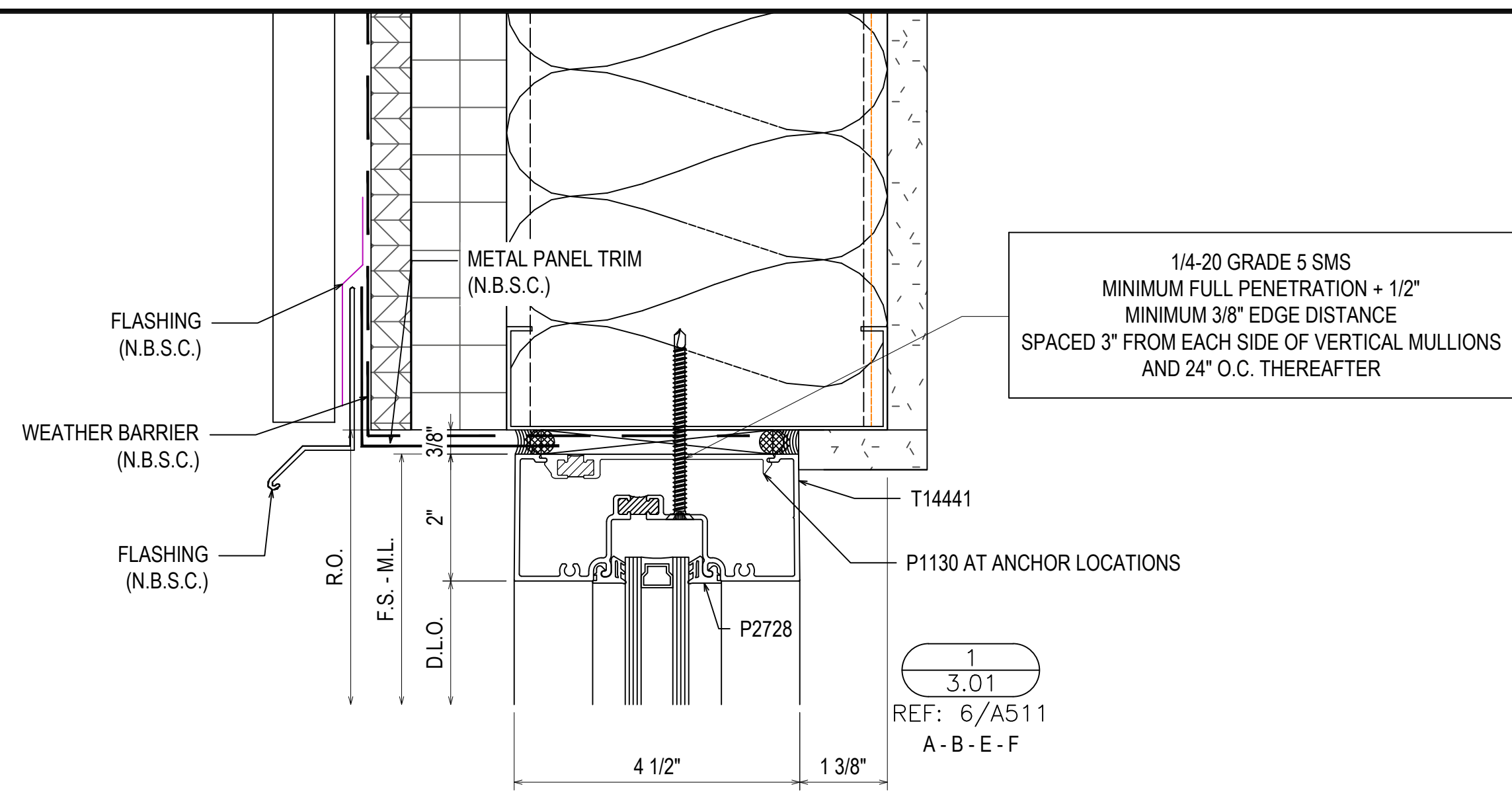
ERECTOR / G.C. NOTE:
PLEASE FIELD VERIFY ALL DIMENSIONS

03.07.23	04.18.23
1ST SUBMISSION	1ST REVISION (ENGINEERING)
NO	DESCRIPTION
	DRAWING SUBMISSION

MID-OHIO FARM ON THE HILLTOP
140 N. WHEATLAND AVE.
COLUMBUS, OHIO 43204

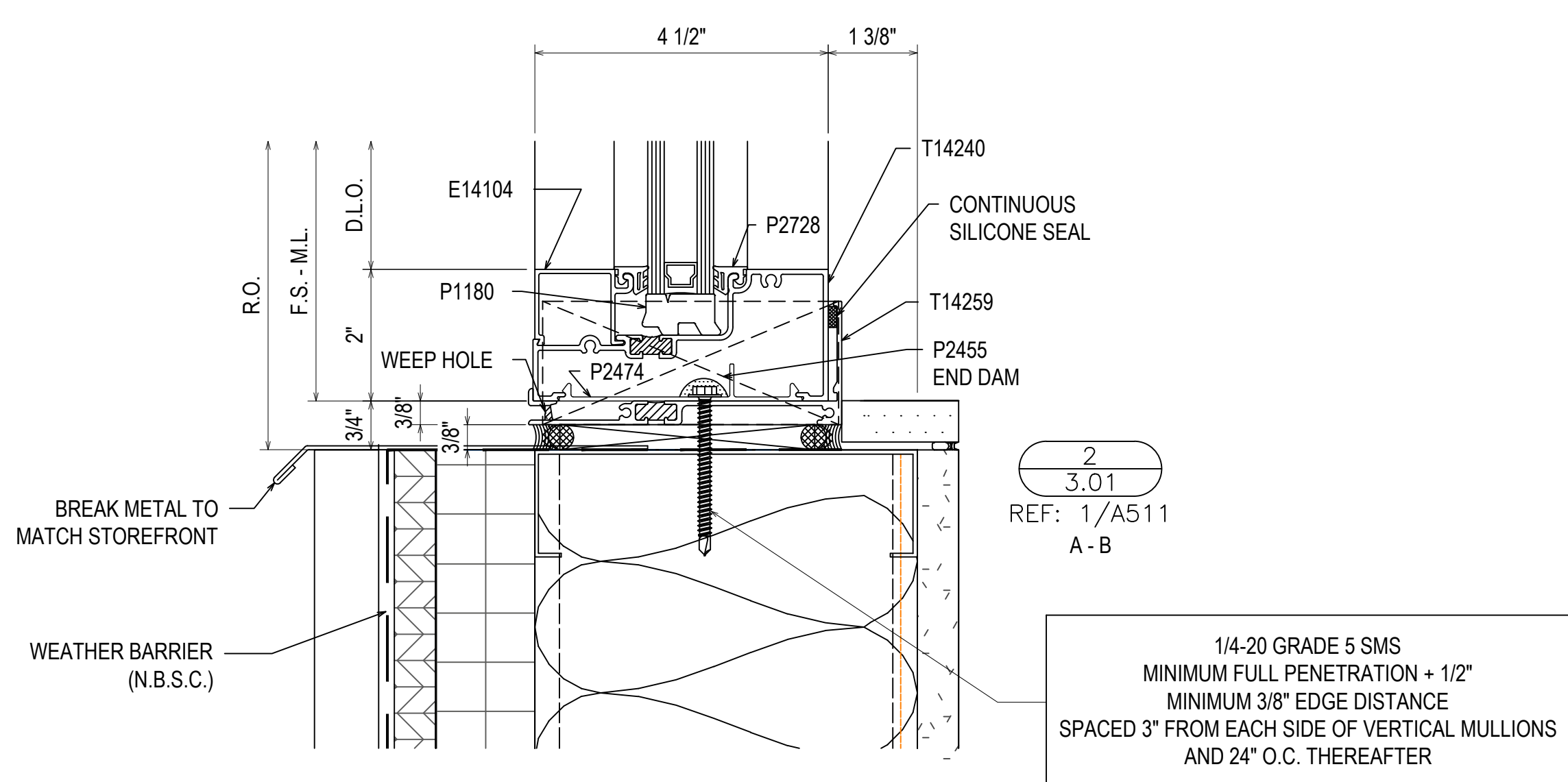
SIXTH CITY GLAZING,
11941 ABBEY ROAD, UNIT E
NORTH ROYALTON, OH 44133

DRAWN BY: BG	DATE: 03.07.23
CHECKED BY: RS	DATE: 03.07.23



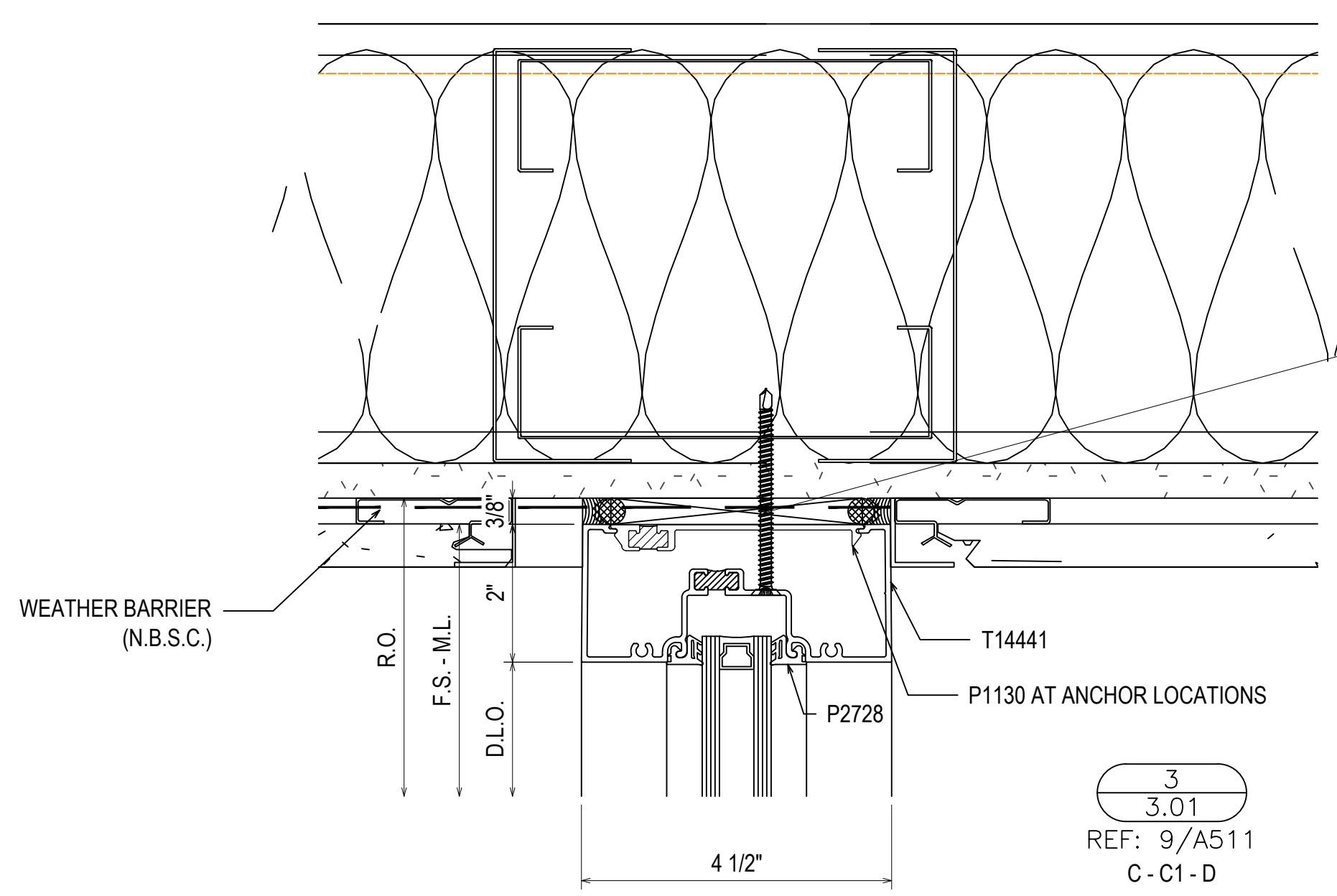
1/4-20 GRADE 5 SMS
 MINIMUM FULL PENETRATION + 1/2"
 MINIMUM 3/8" EDGE DISTANCE
 SPACED 3" FROM EACH SIDE OF VERTICAL MULLIONS
 AND 24" O.C. THEREAFTER

1
 3.01
 REF: 6/A511
 A - B - E - F



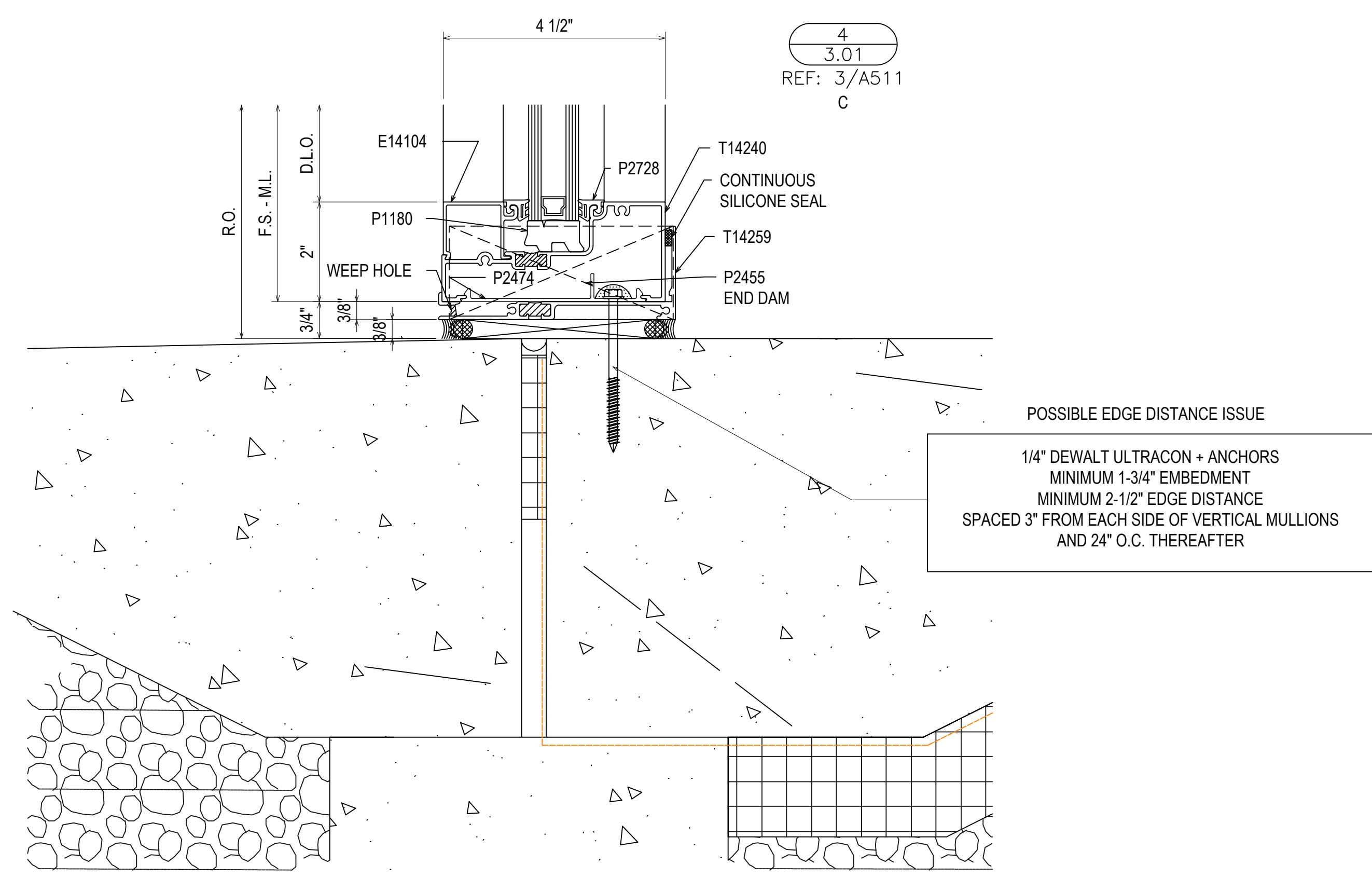
1/4-20 GRADE 5 SMS
 MINIMUM FULL PENETRATION + 1/2"
 MINIMUM 3/8" EDGE DISTANCE
 SPACED 3" FROM EACH SIDE OF VERTICAL MULLIONS
 AND 24" O.C. THEREAFTER

2
 3.01
 REF: 1/A511
 A - B



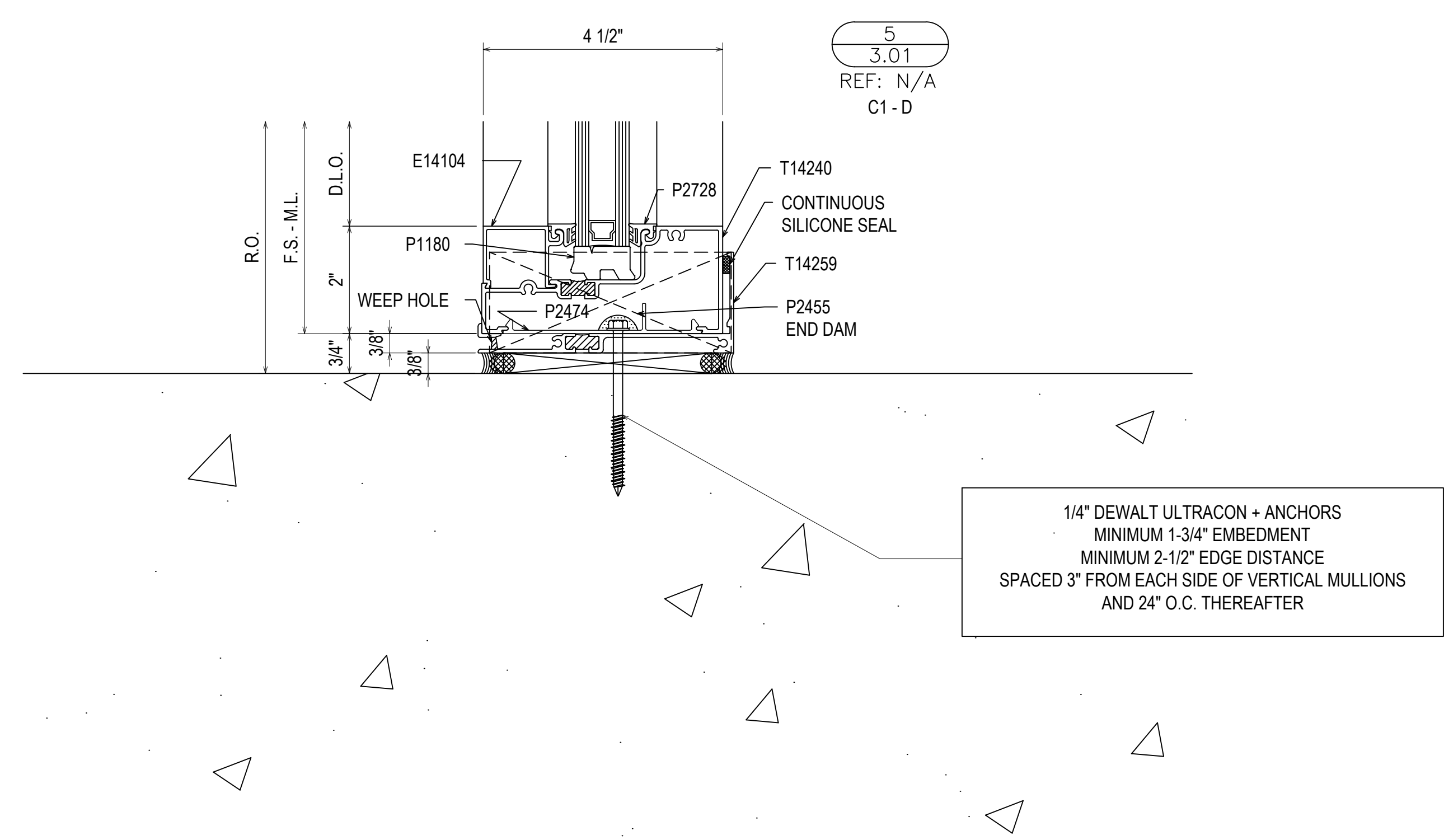
1/4-20 GRADE 5 SMS
 MINIMUM FULL PENETRATION + 1/2"
 MINIMUM 3/8" EDGE DISTANCE
 SPACED 3" FROM EACH SIDE OF VERTICAL MULLIONS
 AND 24" O.C. THEREAFTER

3
 3.01
 REF: 9/A511
 C - C1 - D



POSSIBLE EDGE DISTANCE ISSUE
 1/4" DEWALT ULTRACON + ANCHORS
 MINIMUM 1-3/4" EMBEDMENT
 MINIMUM 2-1/2" EDGE DISTANCE
 SPACED 3" FROM EACH SIDE OF VERTICAL MULLIONS
 AND 24" O.C. THEREAFTER

4
 3.01
 REF: 3/A511
 C



1/4" DEWALT ULTRACON + ANCHORS
 MINIMUM 1-3/4" EMBEDMENT
 MINIMUM 2-1/2" EDGE DISTANCE
 SPACED 3" FROM EACH SIDE OF VERTICAL MULLIONS
 AND 24" O.C. THEREAFTER

5
 3.01
 REF: N/A
 C1 - D

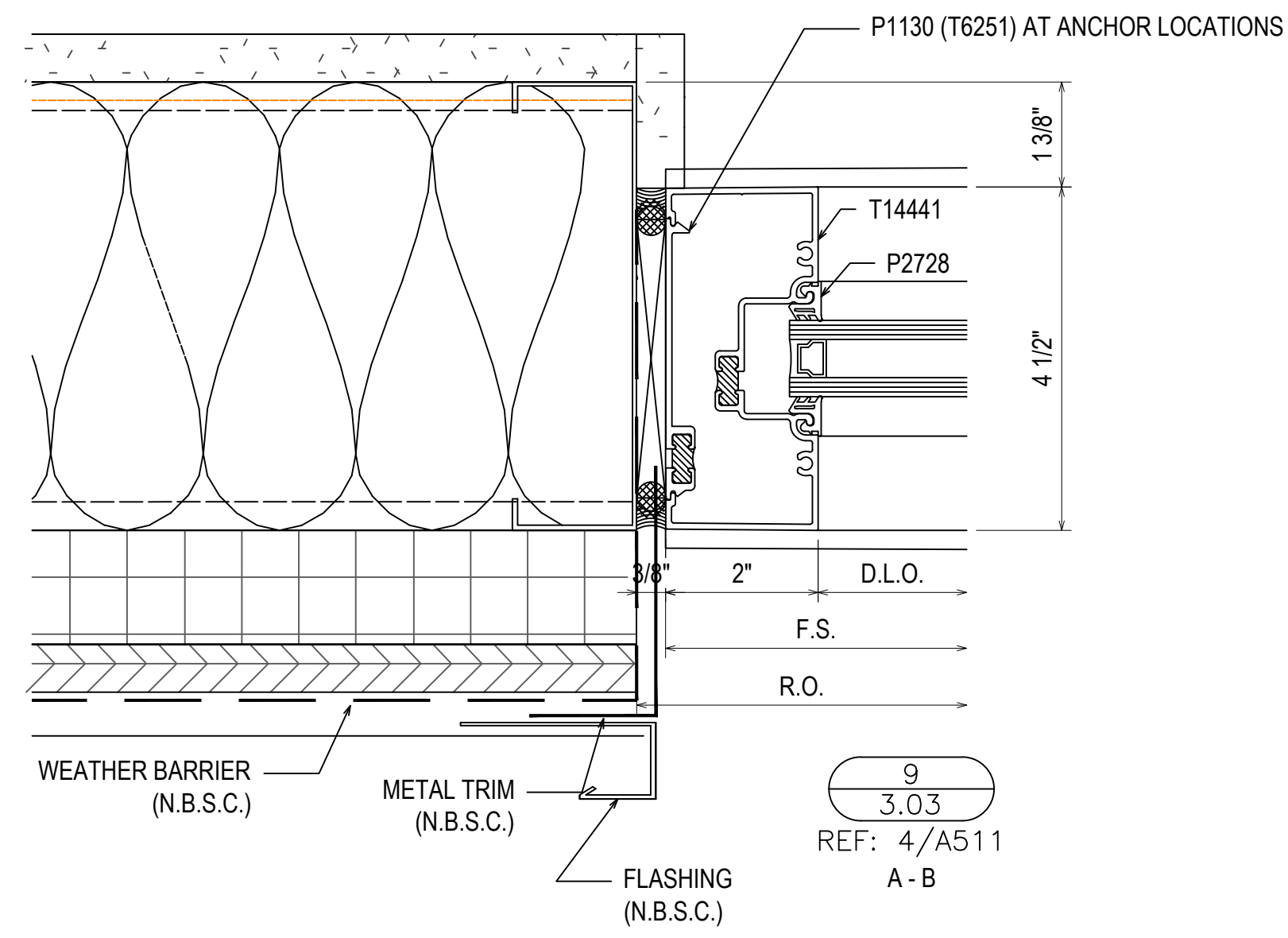
03.07.23	04.18.23
1ST SUBMISSION	1ST REVISION (ENGINEERING)
NO	DESCRIPTION
	DRAWING SUBMISSION

MID-OHIO FARM ON THE HILLTOP
 140 N. WHEATLAND AVE.
 COLUMBUS, OHIO 43204

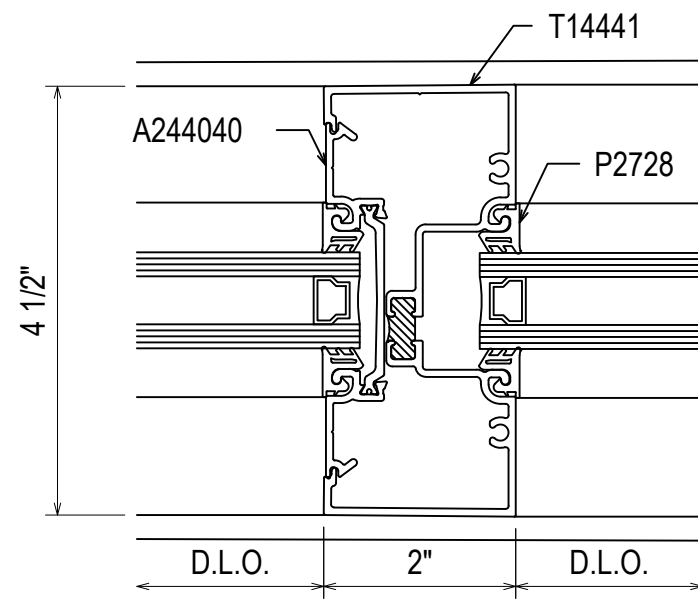
SIXTH CITY GLAZING
 11941 ABBEY ROAD, UNIT E
 NORTH ROYALTON, OH 44133

DRAWN BY:	DATE:
BG	03.07.23
CHECKED BY:	DATE:
RS	03.07.23

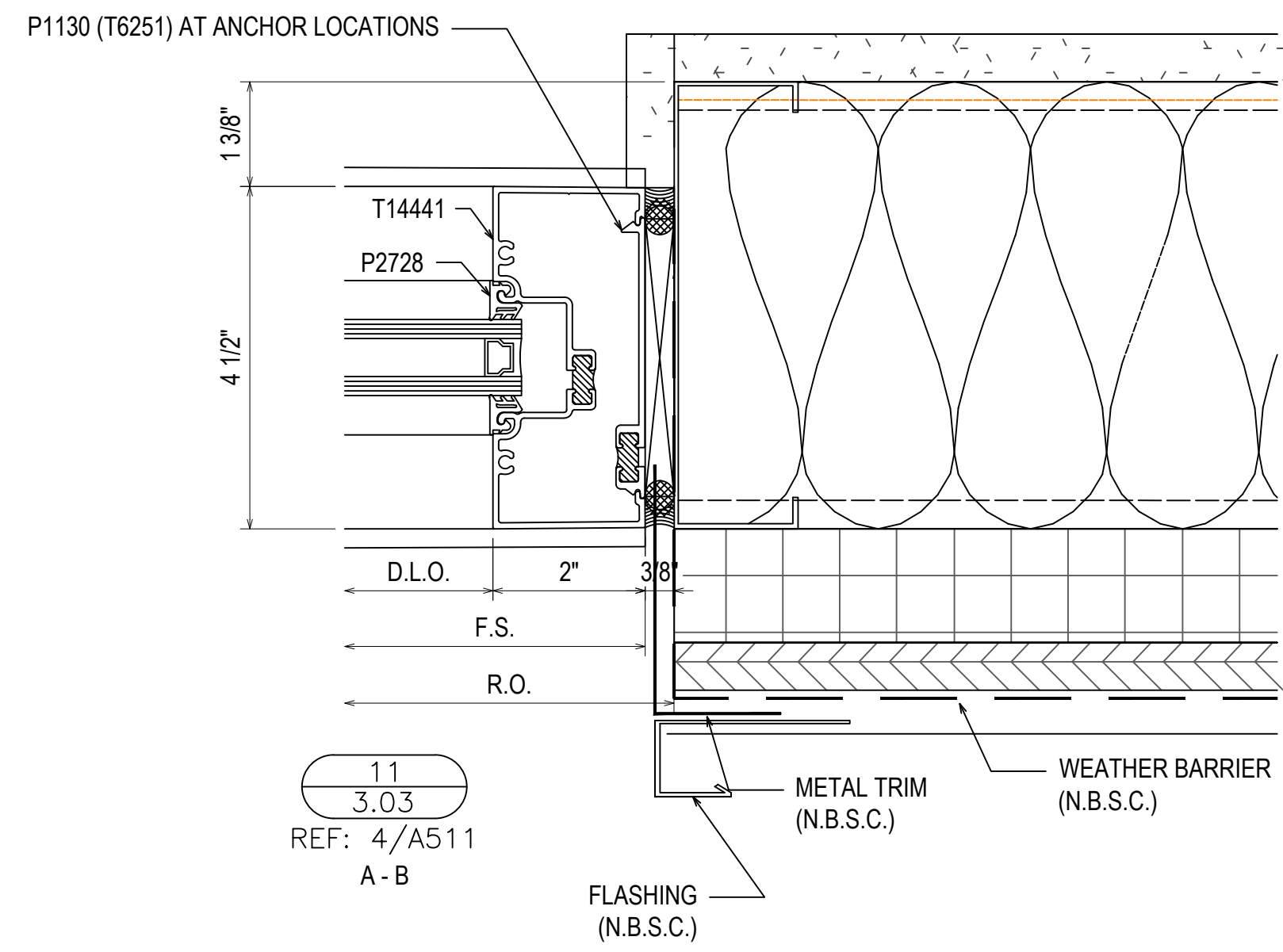
3.01



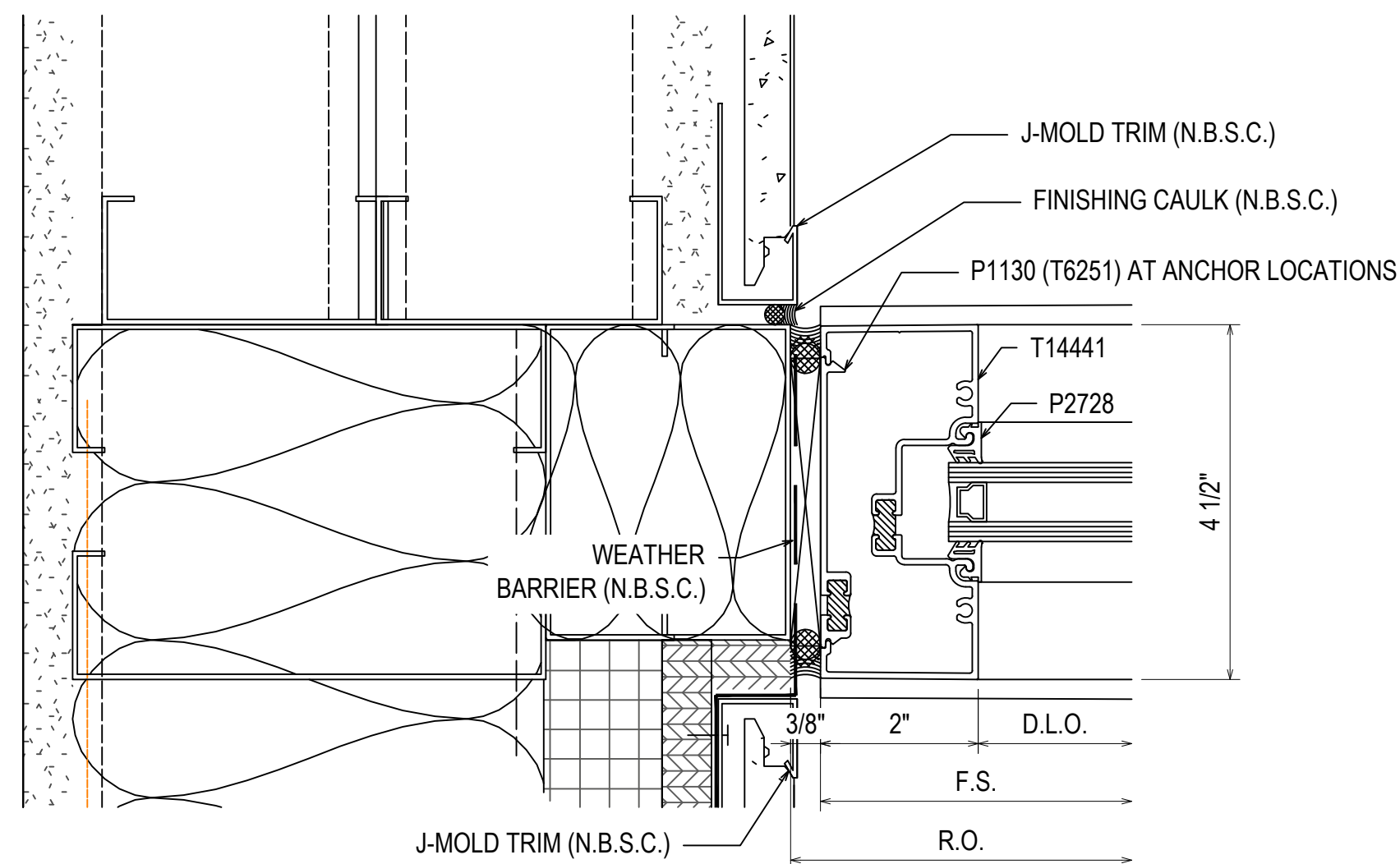
9
3.03
REF: 4/A511
A - B



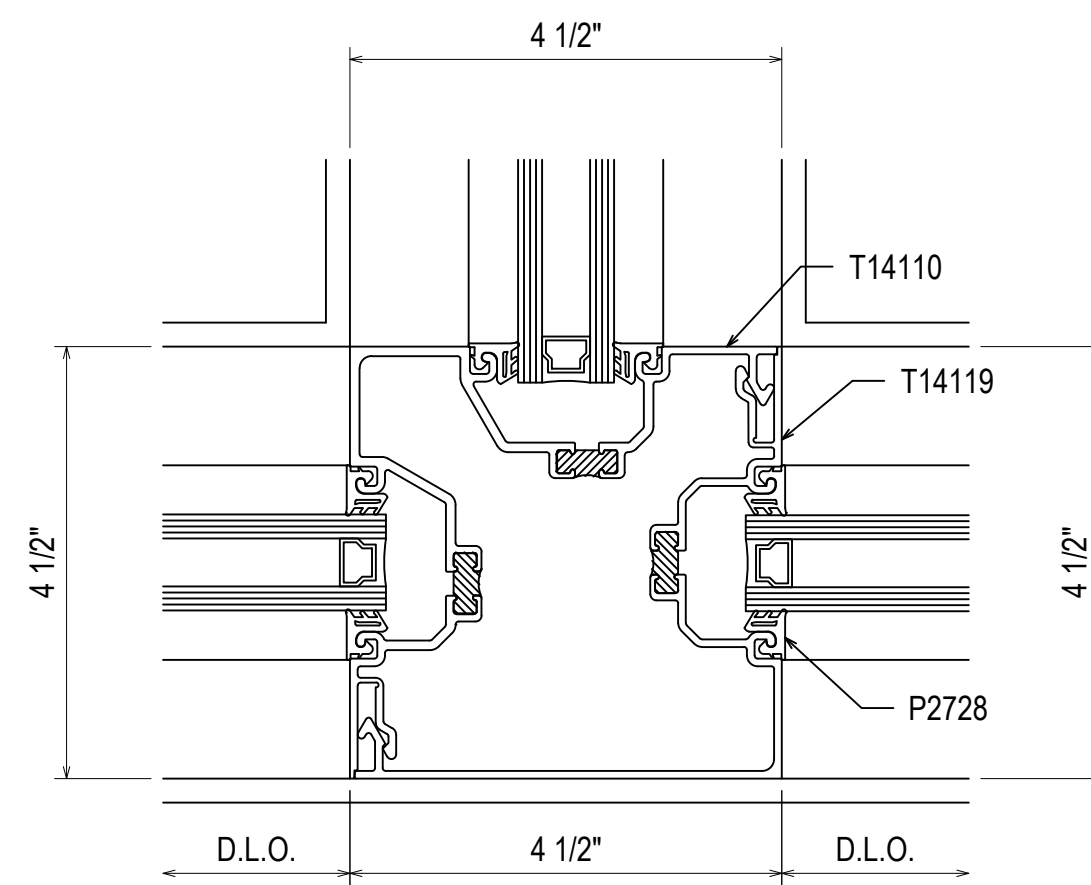
10
3.03
REF: N/A
C - C1 - D



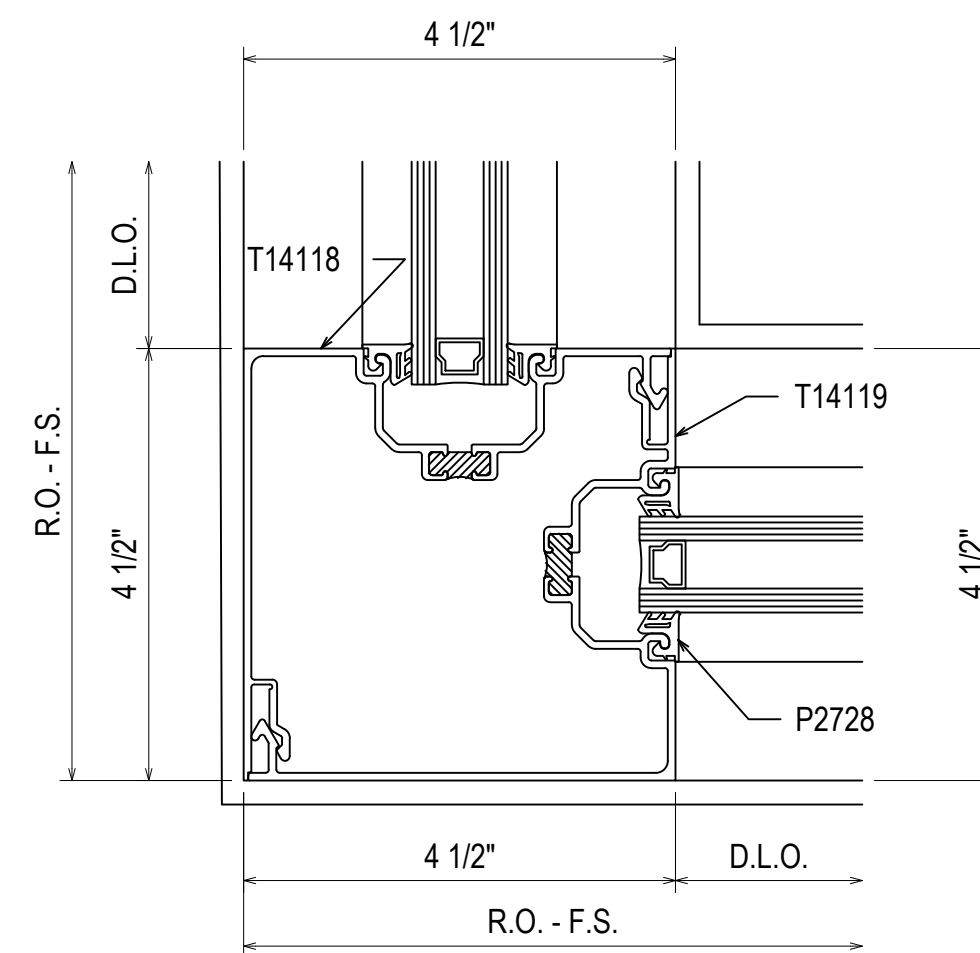
11
3.03
REF: 4/A511
A - B



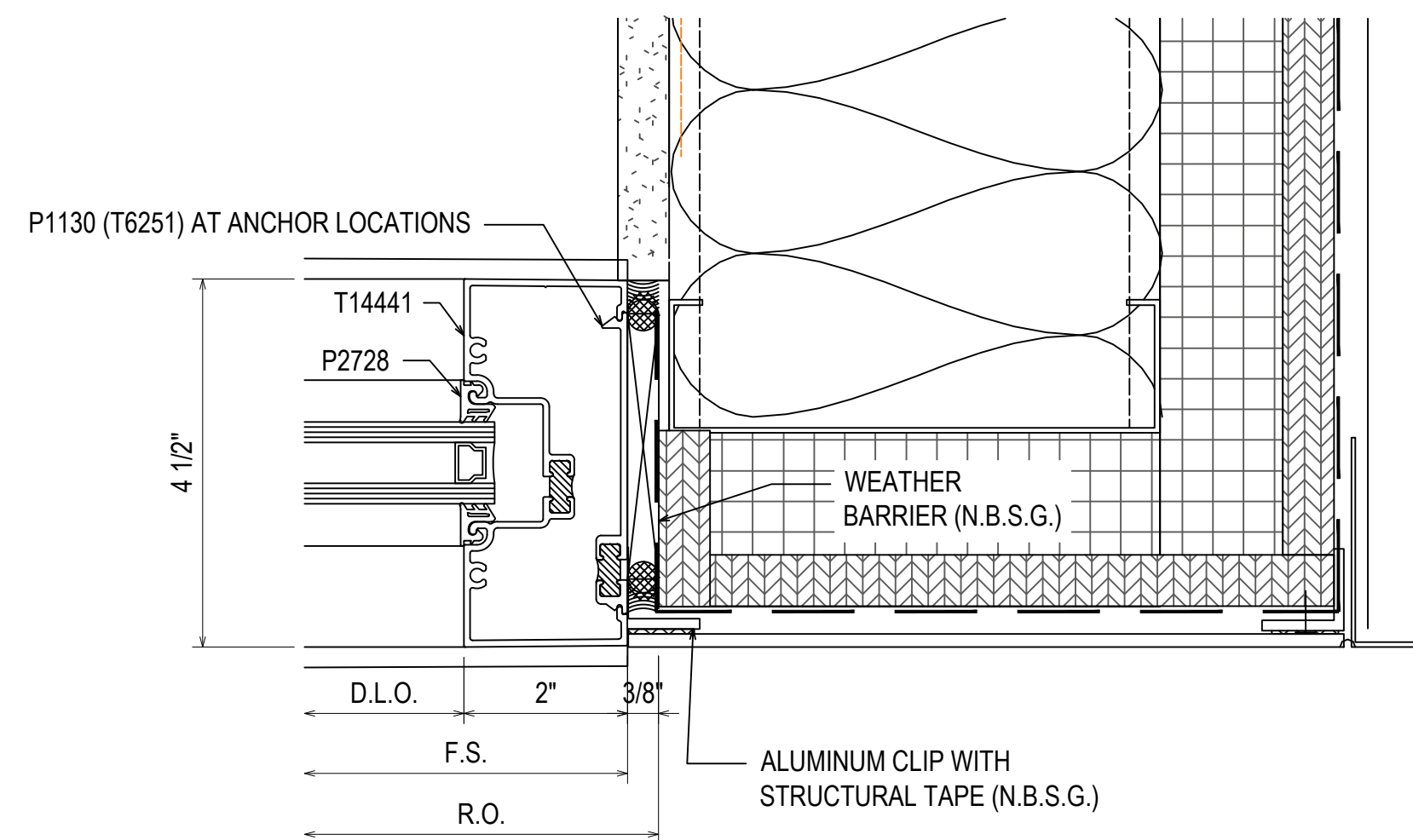
12
3.03
REF: 3/A510
C - C1



13
3.03
REF: N/A
C - D



14
3.03
REF: N/A
C1 - D



15
3.03
REF: 4/A510
D

MID-OHIO FARM ON THE HILLTOP
140 N. WHEATLAND AVE.
COLUMBUS, OHIO 43204

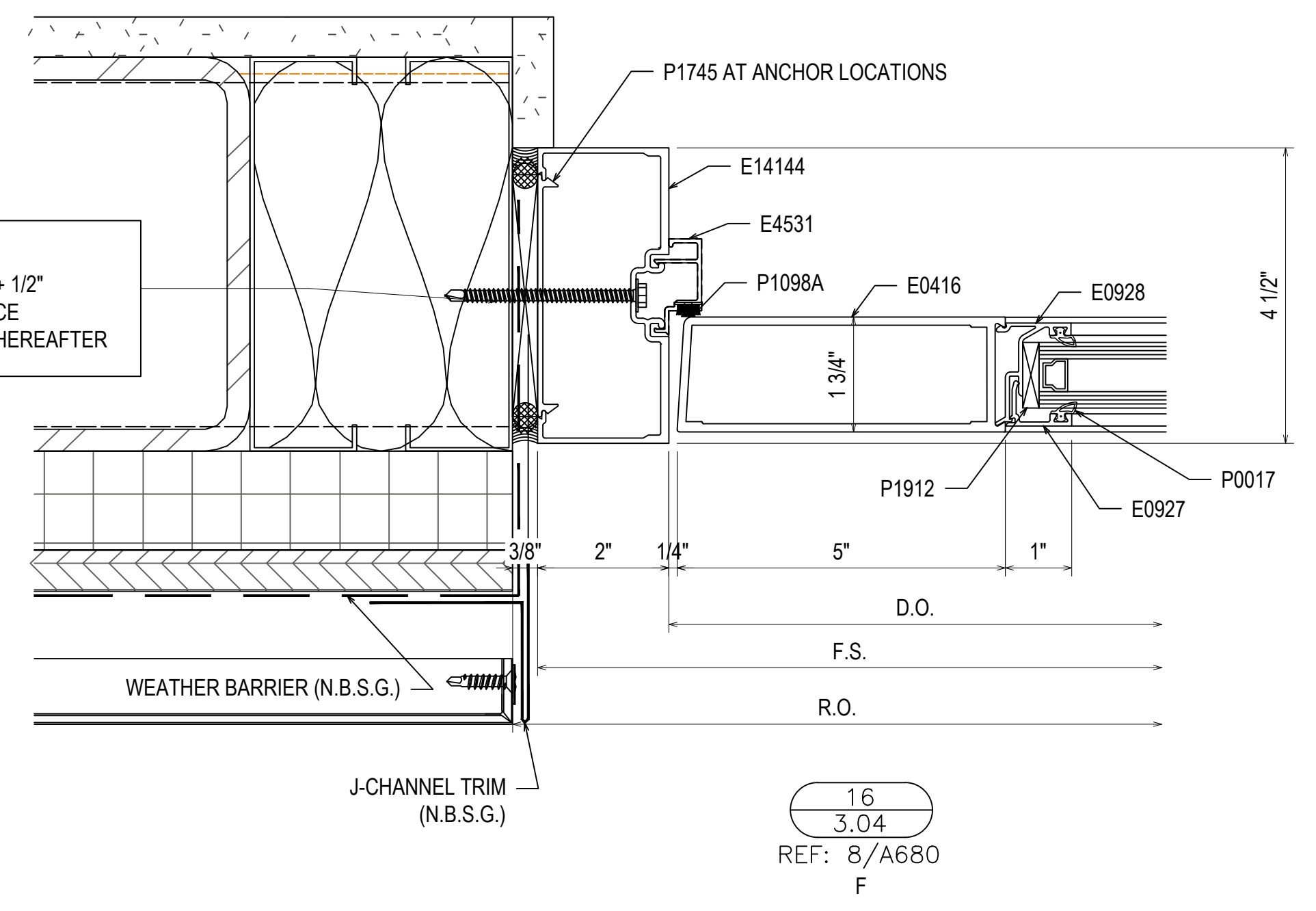
SIXTH CITY GLAZING,
11941 ABBEY ROAD, UNIT E
NORTH ROYALTON, OH 44133

DRAWN BY: BG	DATE: 03.07.23
CHECKED BY: RS	DATE: 03.07.23

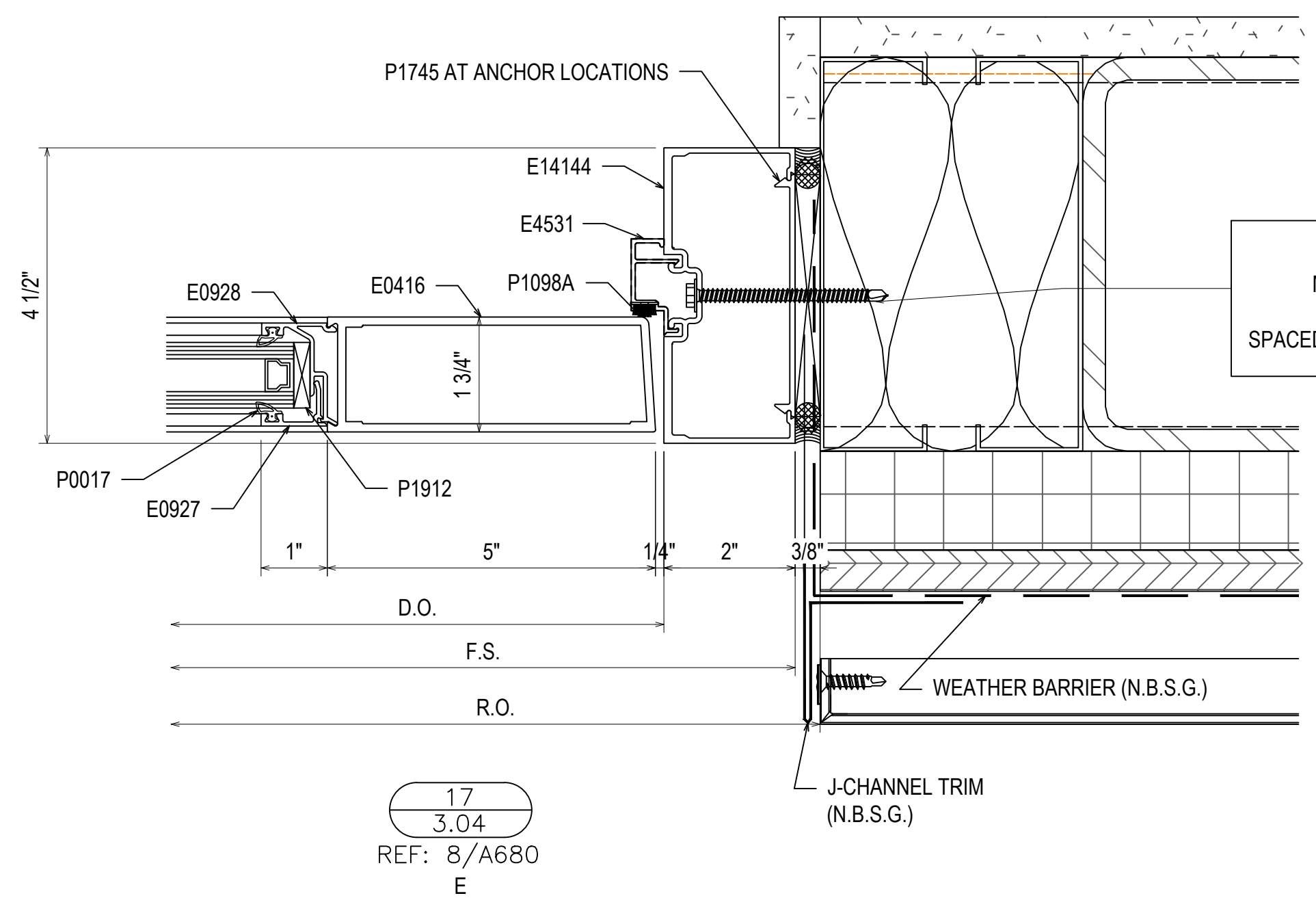
3.03

03.07.23	04.18.23
1ST SUBMISSION	1ST REVISION (ENGINEERING)
NO	DESCRIPTION
	DRAWING SUBMISSION

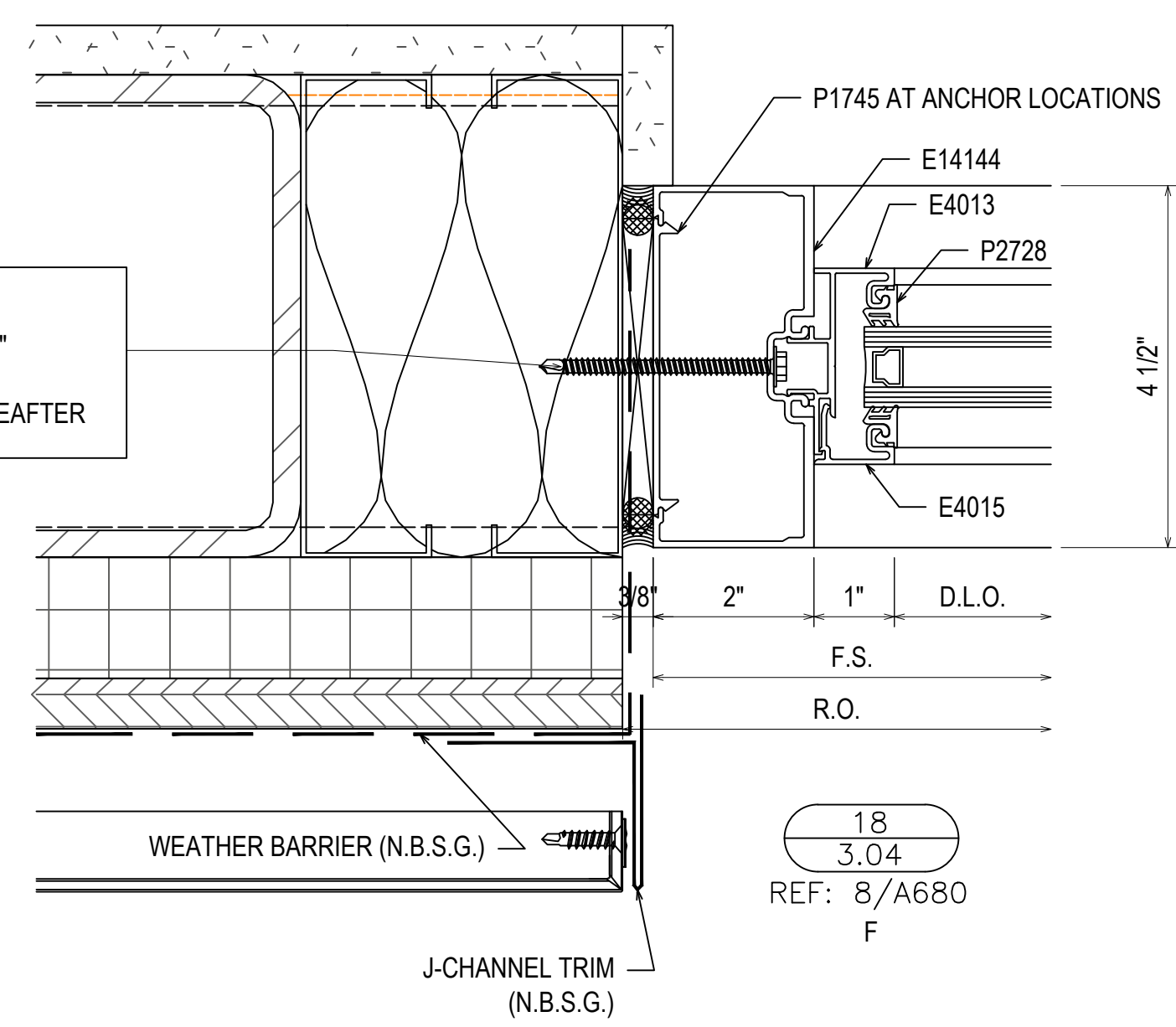
1/4-20 GRADE 5 SMS
 MINIMUM FULL PENETRATION + 1/2"
 MINIMUM 3/8" EDGE DISTANCE
 SPACED 3" FROM END AND 24" O.C. THEREAFTER



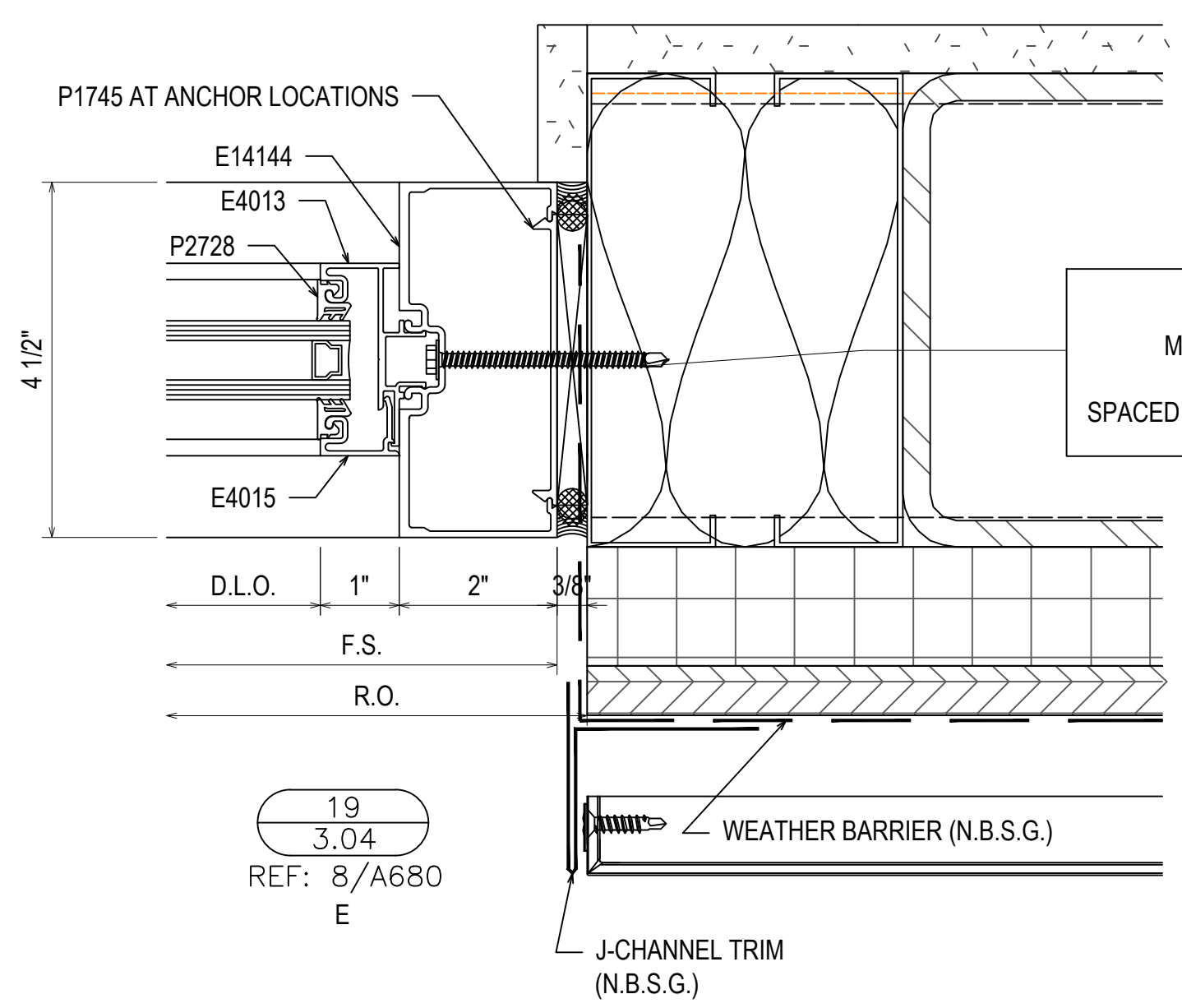
1/4-20 GRADE 5 SMS
 MINIMUM FULL PENETRATION + 1/2"
 MINIMUM 3/8" EDGE DISTANCE
 SPACED 3" FROM END AND 24" O.C. THEREAFTER



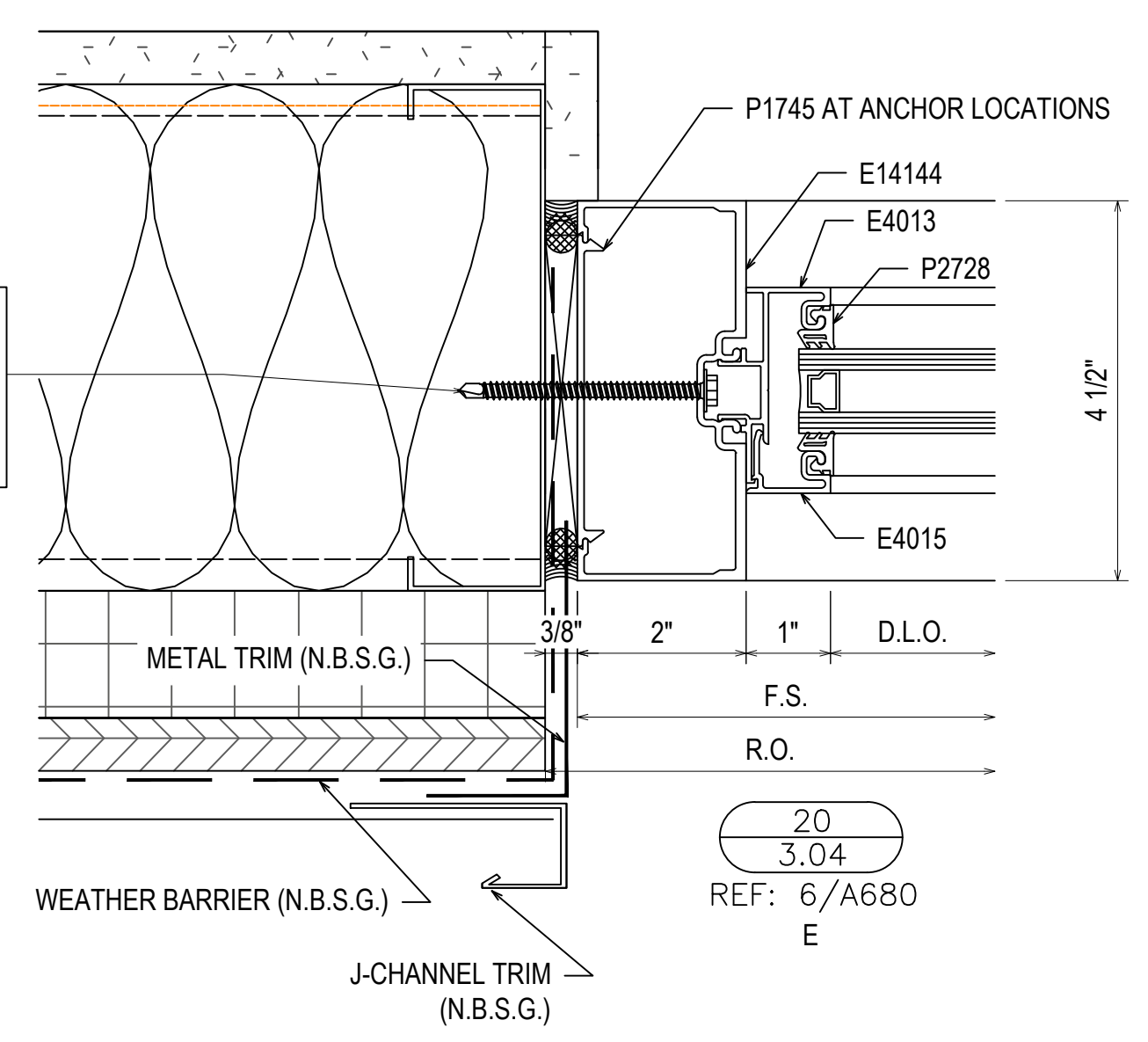
1/4-20 GRADE 5 SMS
 MINIMUM FULL PENETRATION + 1/2"
 MINIMUM 3/8" EDGE DISTANCE
 SPACED 3" FROM END AND 24" O.C. THEREAFTER



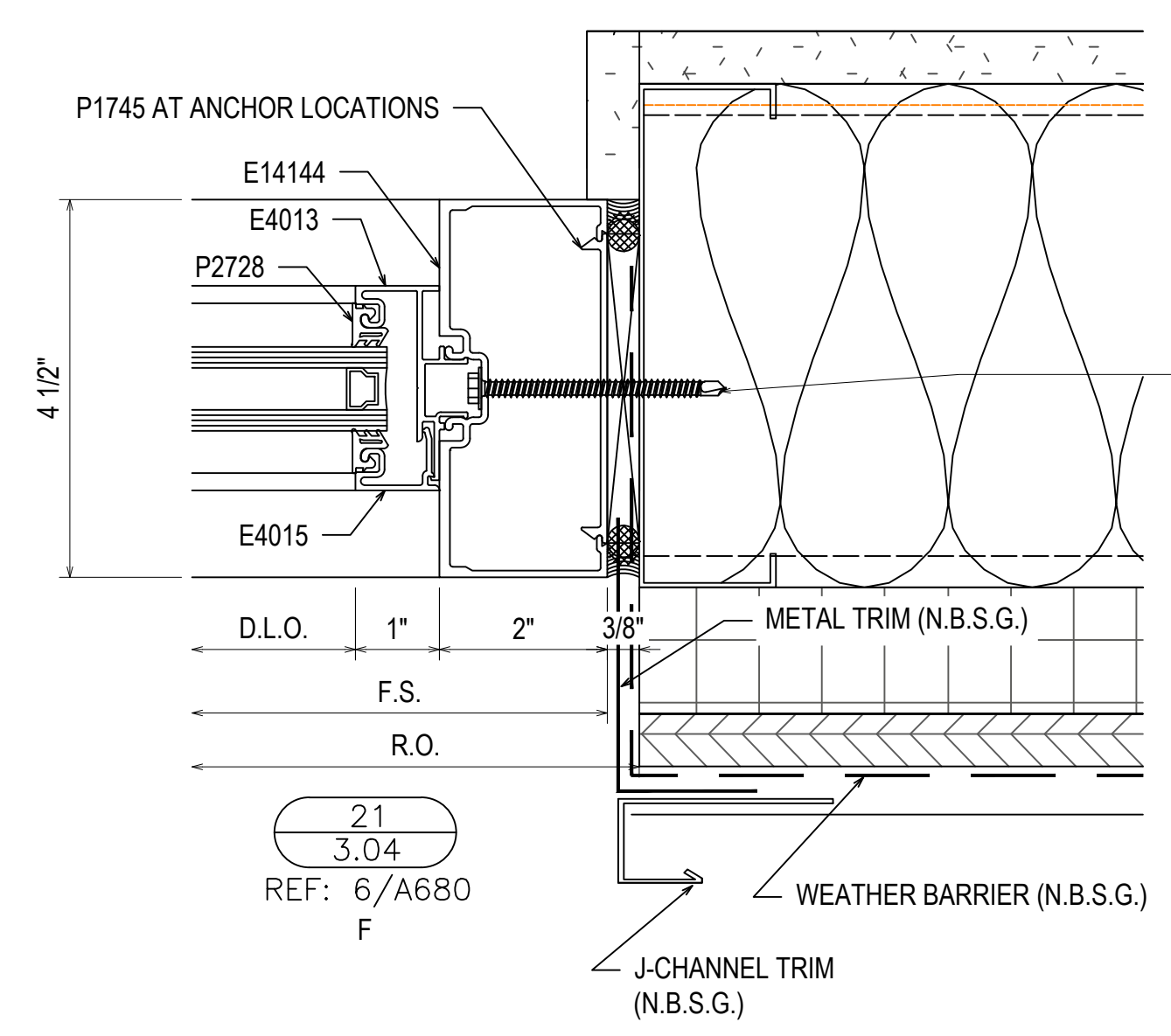
1/4-20 GRADE 5 SMS
 MINIMUM FULL PENETRATION + 1/2"
 MINIMUM 3/8" EDGE DISTANCE
 SPACED 3" FROM END AND 24" O.C. THEREAFTER



1/4-20 GRADE 5 SMS
 MINIMUM FULL PENETRATION + 1/2"
 MINIMUM 3/8" EDGE DISTANCE
 SPACED 3" FROM END AND 24" O.C. THEREAFTER



1/4-20 GRADE 5 SMS
 MINIMUM FULL PENETRATION + 1/2"
 MINIMUM 3/8" EDGE DISTANCE
 SPACED 3" FROM END AND 24" O.C. THEREAFTER



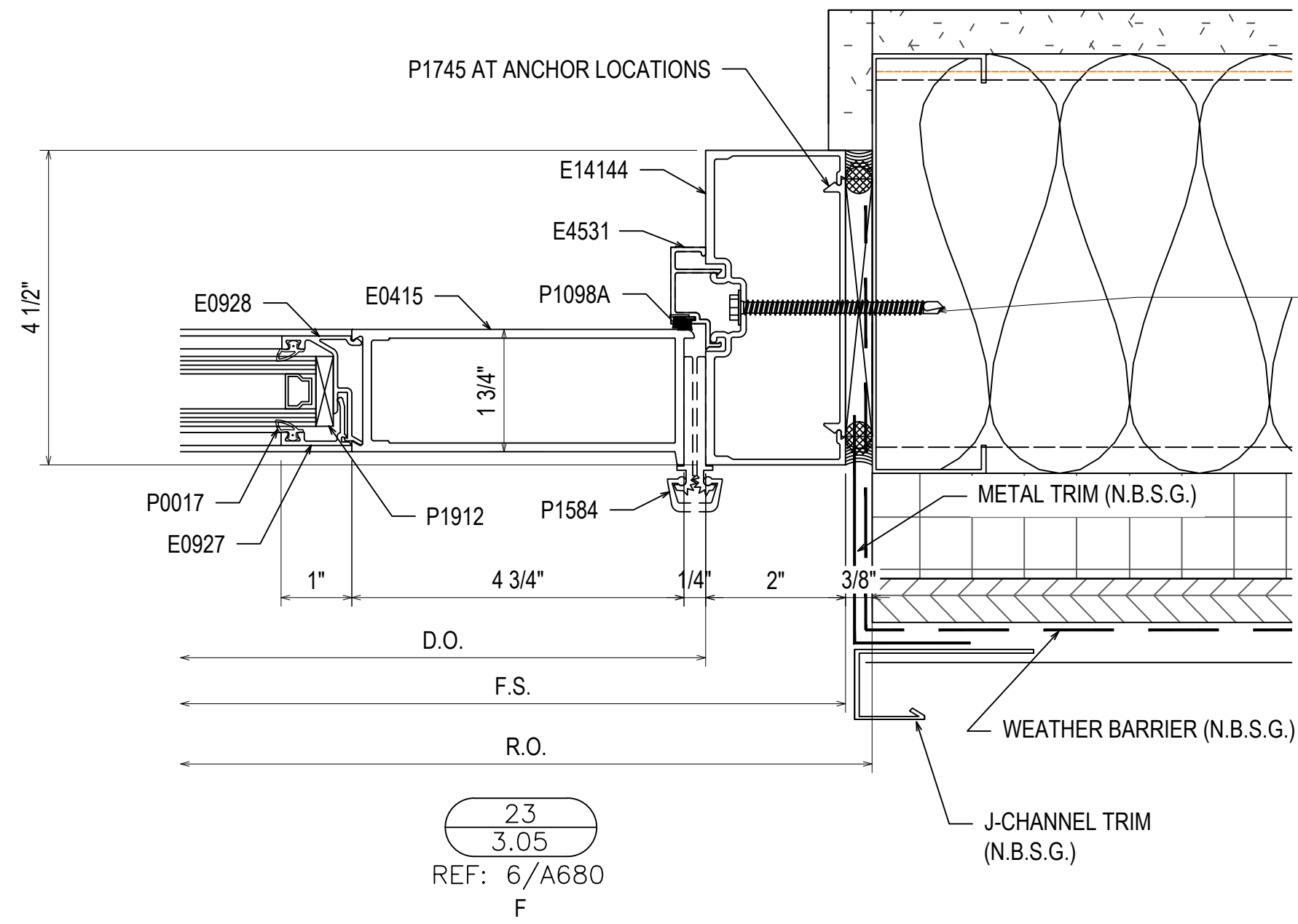
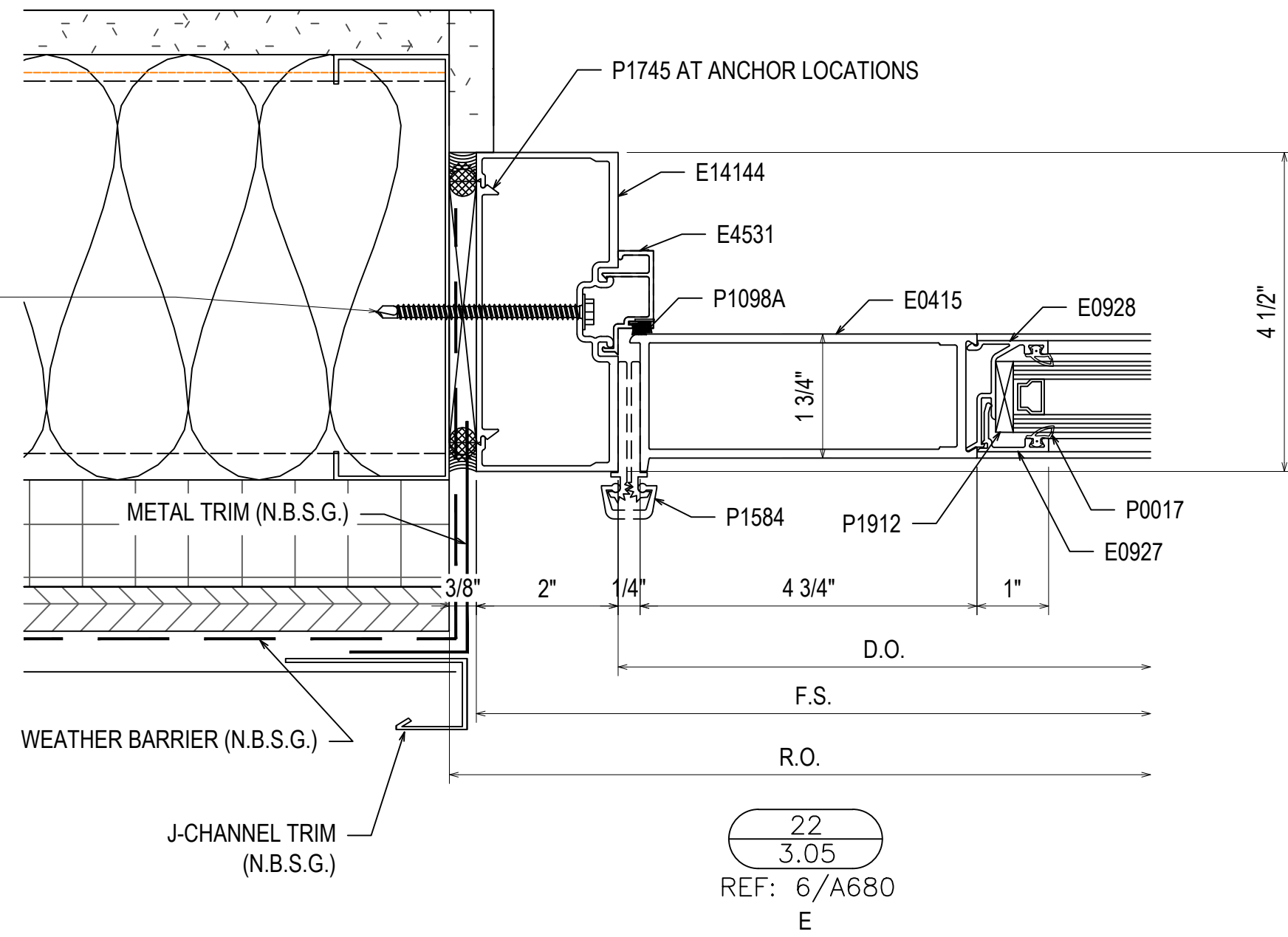
03.07.20			
04.18.23			
1ST SUBMISSION	1ST REVISION (ENGINEERING)		
		NO	DESCRIPTION
			DRAWING SUBMISSION

MID-OHIO FARM ON THE HILLTOP
 140 N. WHEATLAND AVE.
 COLUMBUS, OHIO 43204

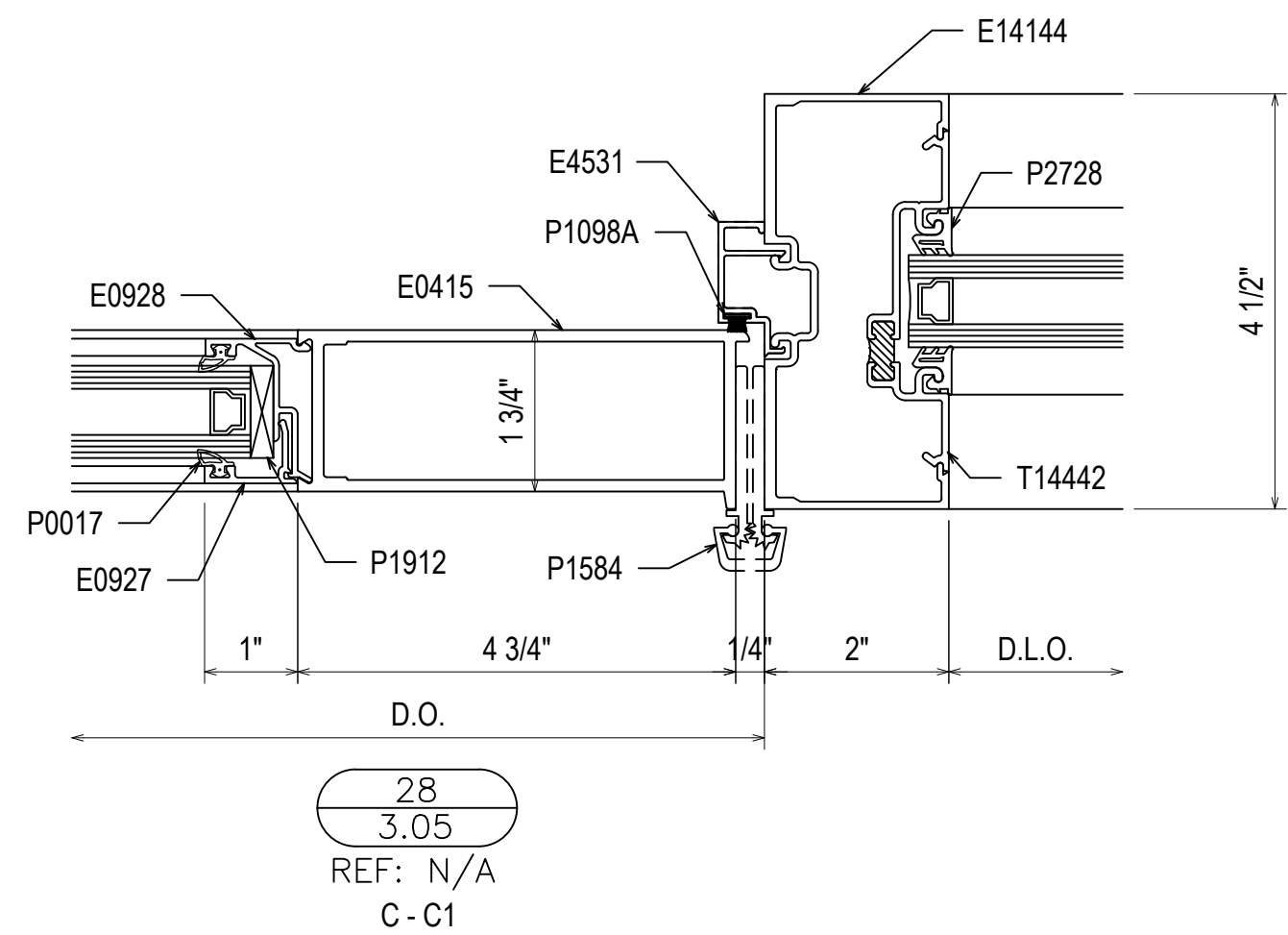
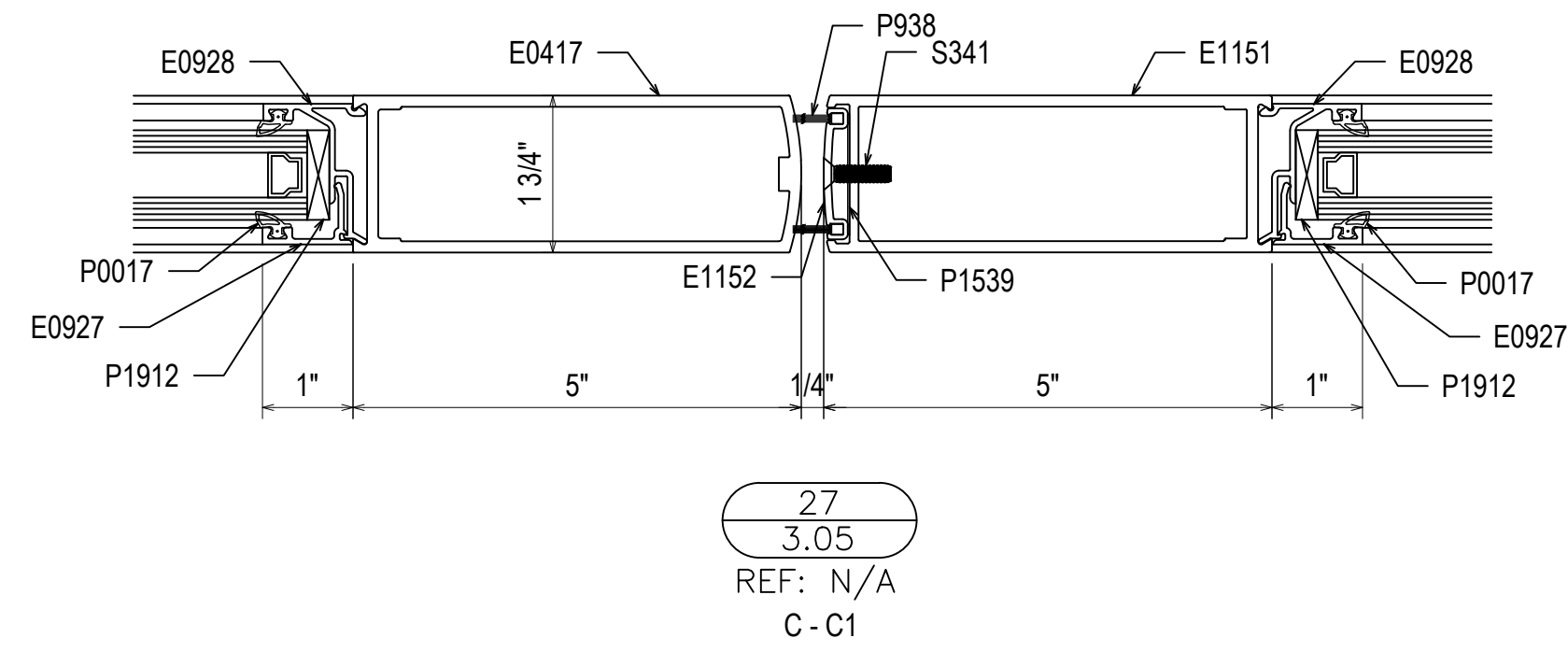
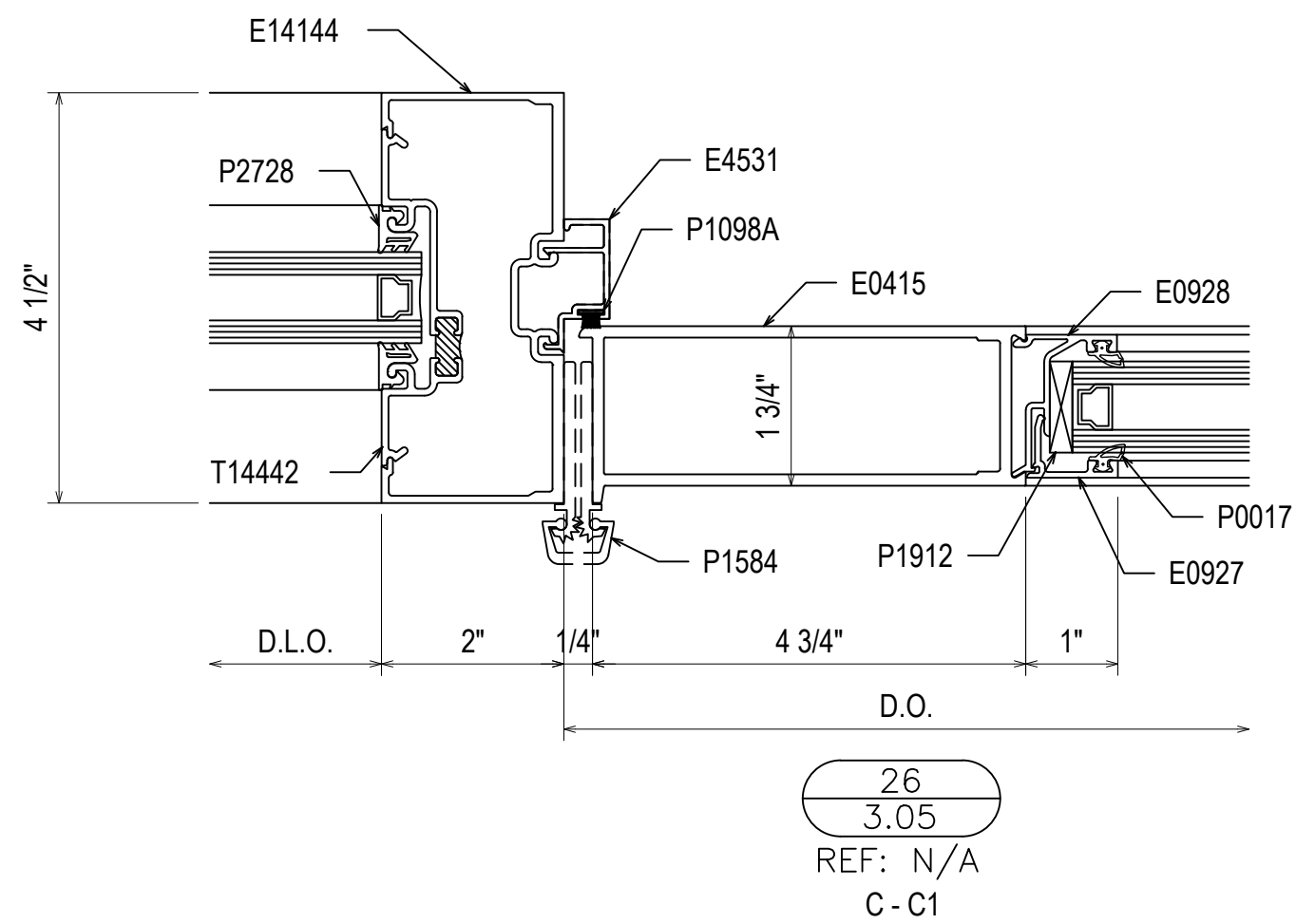
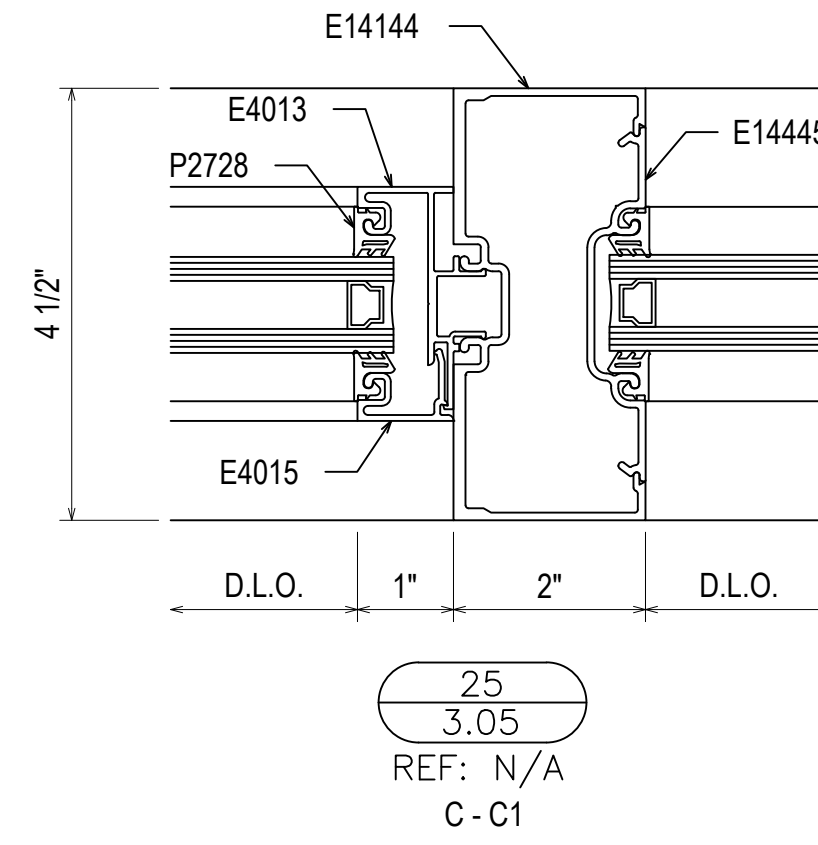
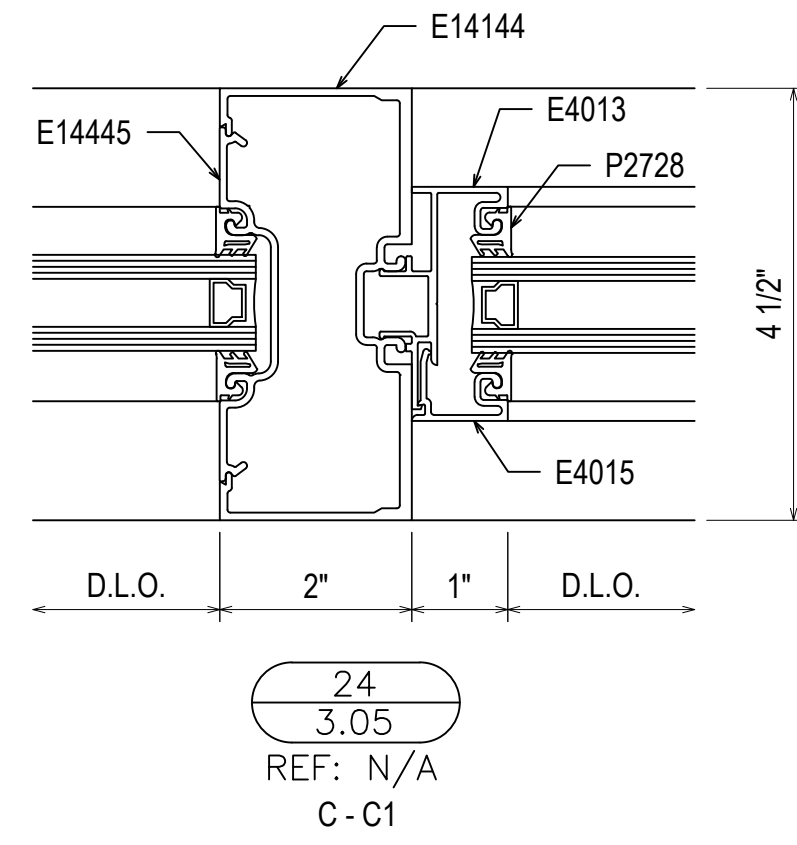
SIXTH CITY GLAZING
 11941 ABBEY ROAD, UNIT E
 NORTH ROYALTON, OH 44133

DRAWN BY:	DATE:
BG	03.07.23
CHECKED BY:	DATE:
RS	03.07.23

1/4-20 GRADE 5 SMS
 MINIMUM FULL PENETRATION + 1/2"
 MINIMUM 3/8" EDGE DISTANCE
 SPACED 3" FROM END AND 24" O.C. THEREAFTER



1/4-20 GRADE 5 SMS
 MINIMUM FULL PENETRATION + 1/2"
 MINIMUM 3/8" EDGE DISTANCE
 SPACED 3" FROM END AND 24" O.C. THEREAFTER



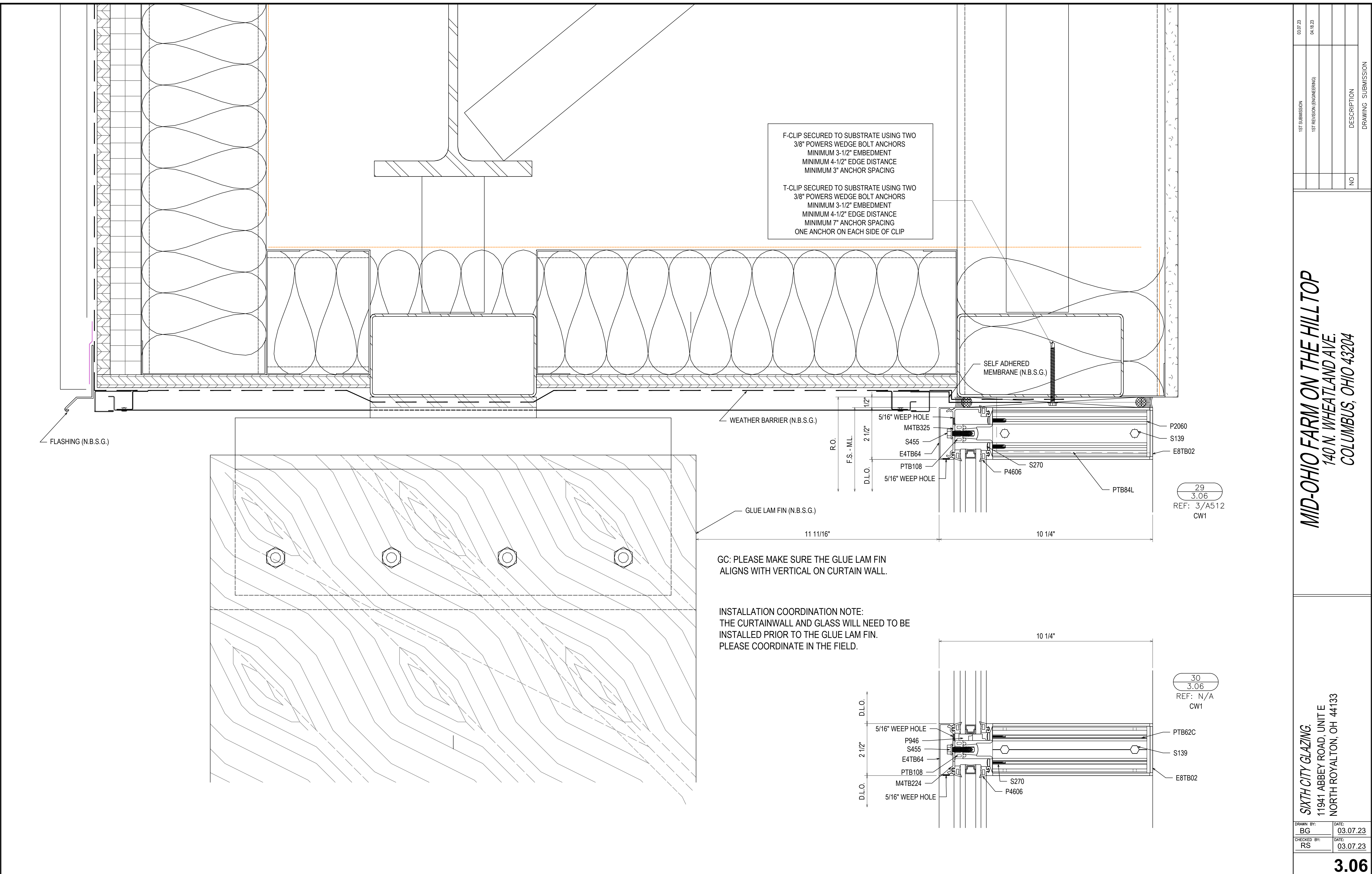
MID-OHIO FARM ON THE HILLTOP
 140 N. WHEATLAND AVE.
 COLUMBUS, OHIO 43204

SIXTH CITY GLAZING,
 11941 ABBEY ROAD, UNIT E
 NORTH ROYALTON, OH 44133

DRAWN BY: BG DATE: 03.07.23
 CHECKED BY: RS DATE: 03.07.23

3.05

03.07.23	04.18.23
1ST SUBMISSION	1ST REVISION (ENGINEERING)
NO	DESCRIPTION
	DRAWING SUBMISSION



F-CLIP SECURED TO SUBSTRATE USING TWO
 3/8" POWERS WEDGE BOLT ANCHORS
 MINIMUM 3-1/2" EMBEDMENT
 MINIMUM 4-1/2" EDGE DISTANCE
 MINIMUM 3" ANCHOR SPACING

T-CLIP SECURED TO SUBSTRATE USING TWO
 3/8" POWERS WEDGE BOLT ANCHORS
 MINIMUM 3-1/2" EMBEDMENT
 MINIMUM 4-1/2" EDGE DISTANCE
 MINIMUM 7" ANCHOR SPACING
 ONE ANCHOR ON EACH SIDE OF CLIP

29
 3.06
 REF: 3/A512
 CW1

GC: PLEASE MAKE SURE THE GLUE LAM FIN
 ALIGNS WITH VERTICAL ON CURTAIN WALL.

INSTALLATION COORDINATION NOTE:
 THE CURTAINWALL AND GLASS WILL NEED TO BE
 INSTALLED PRIOR TO THE GLUE LAM FIN.
 PLEASE COORDINATE IN THE FIELD.

30
 3.06
 REF: N/A
 CW1

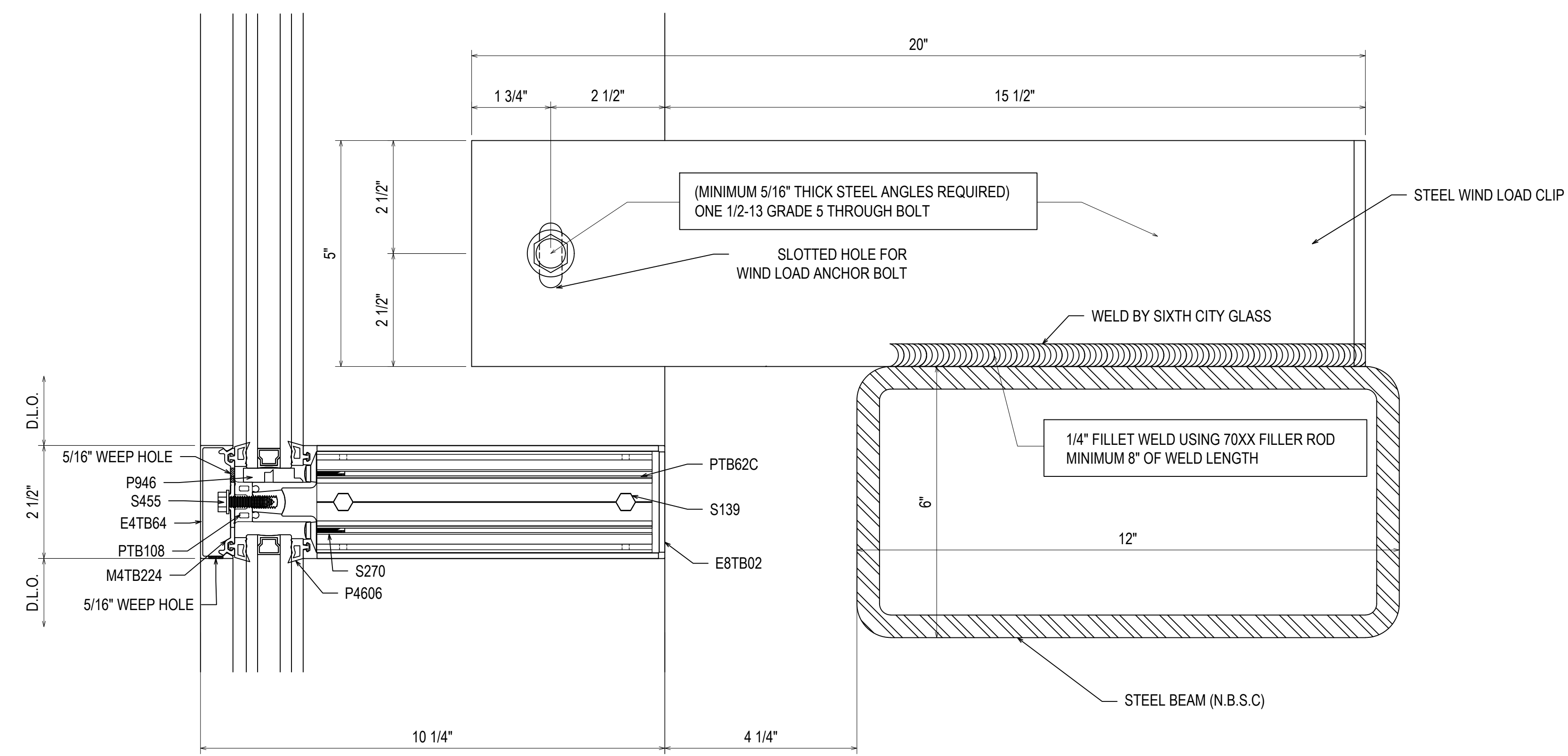
03.07.23	1ST SUBMISSION
04.18.23	1ST REVISION (ENGINEERING)
	NO
	DESCRIPTION
	DRAWING SUBMISSION

MID-OHIO FARM ON THE HILLTOP
 140 N. WHEATLAND AVE.
 COLUMBUS, OHIO 43204

SIXTH CITY GLAZING
 11941 ABBEY ROAD, UNIT E
 NORTH ROYALTON, OH 44133

DRAWN BY: BG	DATE: 03.07.23
CHECKED BY: RS	DATE: 03.07.23

03.07.23	
04.18.23	
1ST SUBMISSION	
1ST REVISION (ENGINEERING)	
NO	
DESCRIPTION	
DRAWING SUBMISSION	



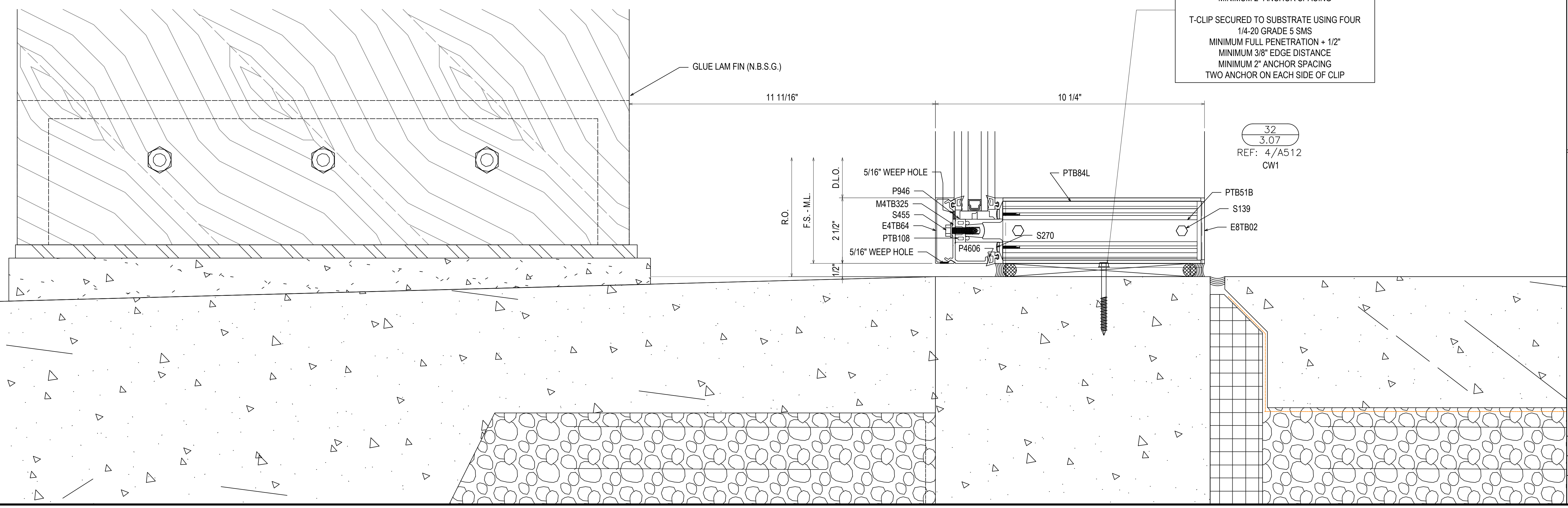
GC: PLEASE MAKE SURE THE GLUE LAM FIN ALIGNS WITH VERTICAL ON CURTAIN WALL.

INSTALLATION COORDINATION NOTE:
THE CURTAINWALL AND GLASS WILL NEED TO BE INSTALLED PRIOR TO THE GLUE LAM FIN. PLEASE COORDINATE IN THE FIELD.

31
3.07
REF: N/A
CW1

F-CLIP SECURED TO SUBSTRATE USING TWO 1/4-20 GRADE 5 SMS
MINIMUM FULL PENETRATION + 1/2"
MINIMUM 3/8" EDGE DISTANCE
MINIMUM 2" ANCHOR SPACING

T-CLIP SECURED TO SUBSTRATE USING FOUR 1/4-20 GRADE 5 SMS
MINIMUM FULL PENETRATION + 1/2"
MINIMUM 3/8" EDGE DISTANCE
MINIMUM 2" ANCHOR SPACING
TWO ANCHOR ON EACH SIDE OF CLIP



32
3.07
REF: 4/A512
CW1

MID-OHIO FARM ON THE HILLTOP
140 N. WHEATLAND AVE.
COLUMBUS, OHIO 43204

SIXTH CITY GLAZING
11941 ABBEY ROAD, UNIT E
NORTH ROYALTON, OH 44133

DRAWN BY:	DATE:
BG	03.07.23
CHECKED BY:	DATE:
RS	03.07.23

3.07

