

Customer Name: \_\_\_\_\_

Chassis style & Yr: \_\_\_\_\_

Do you need any parts?

Company: \_\_\_\_\_

OEM Part #: \_\_\_\_\_

Cap

Phone #: \_\_\_\_\_

Select Finish:  Milgrade  Polished

1/2" Plug

Fax #: \_\_\_\_\_

Do you need any mounting hardware?

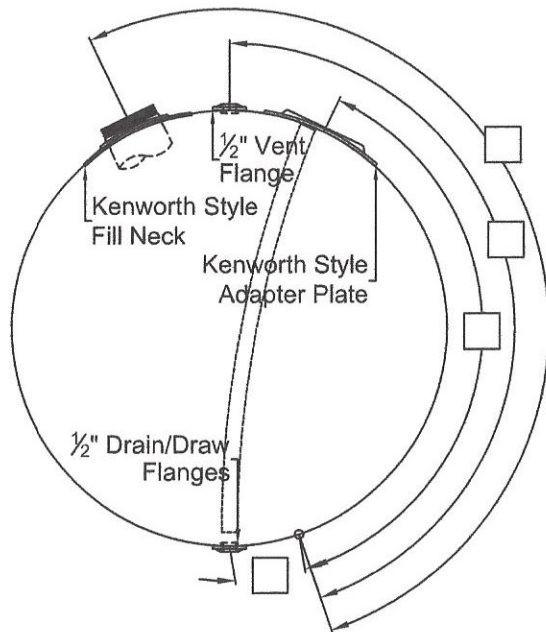
Vent

Straps  Mtg Kit  Combo Kit

Sending Unit

Please note parts and mounting are not included in the price of the tank.

Other

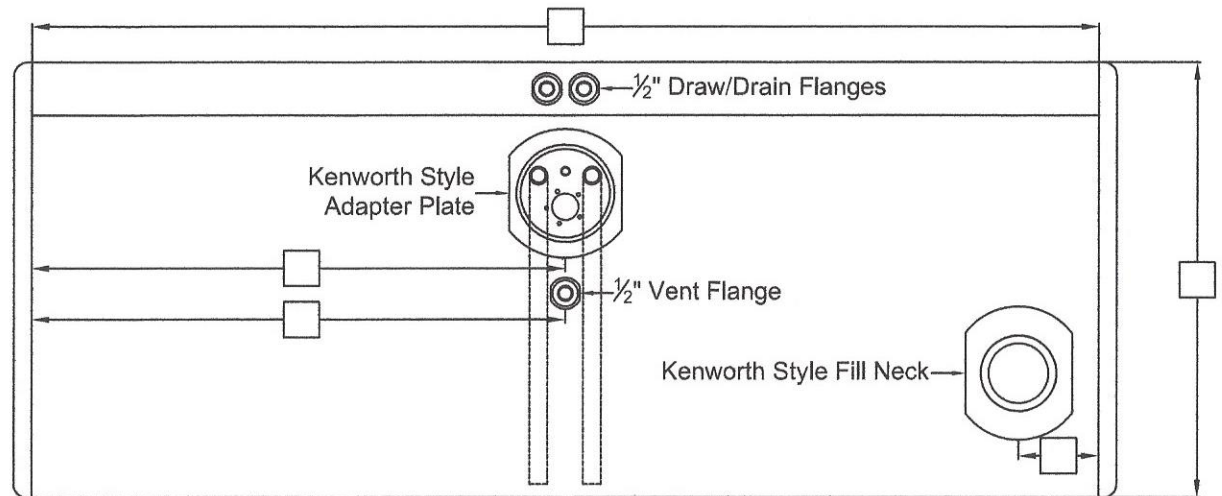


Viewed from rear of driver's side

← Truck Front  
Driver Side

## Kenworth Style

This configuration is typically found on tanks after to 2010.



Please note: All sizes are NPTF unless otherwise noted and reference all measurements from the lateral weld seam and the end cap weld seam to the center of the fittings.

**SouthTowns Specialties, LLC**

5651 Cole Road  
West Valley, NY 14171  
716-592-4993