

Radio Interface Cable

For NCS-C250 Mobile Multi-Switcher

NCS Model Number

NCS-250-BFA-XX

Compatible Radios:

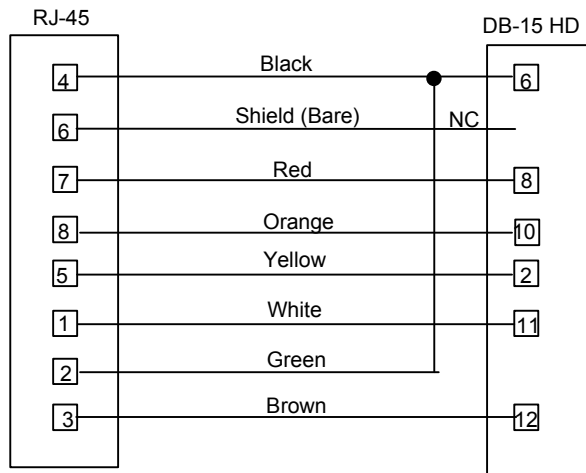
Bendix/King DMH



RJ-45

Pin #	Wire Color	Function
1	White	Mic Hi
2	Green	Mic Lo
3	Brown	PTT
4	Black	Ground
5	Yellow	Rx Audio
6	Shield	Ground
7	Red	Hook Sw*
8	Orange	COR*

* Works only on units with Hook Switch option and/or COR Option installed



Cable Wiring

Notes:

1. Radio must be modified to connect the COR signal to Option A on the accessory connector. Run a jumper wire from pin E10 of the Switch Board ribbon cable assembly to pin 14 of J15 located on the Accessory Board in the Control Head section.