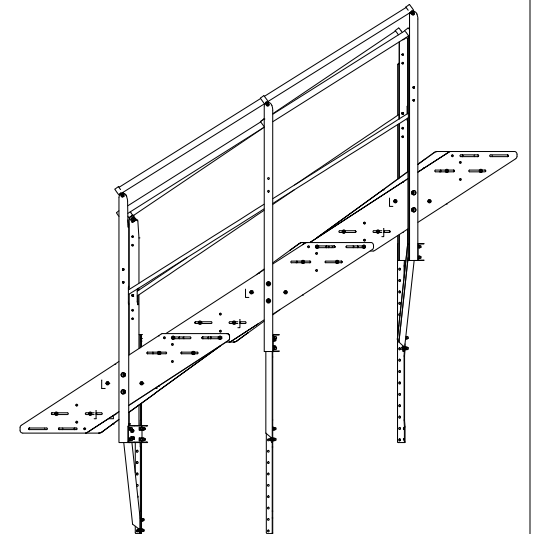
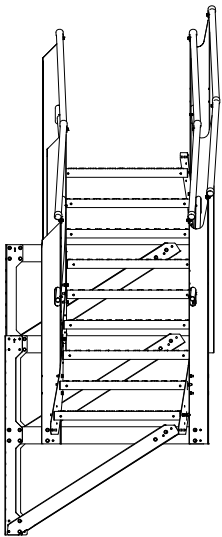


AWT0266 Assembly Instructions

Greene Galvanized Stairs

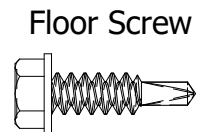
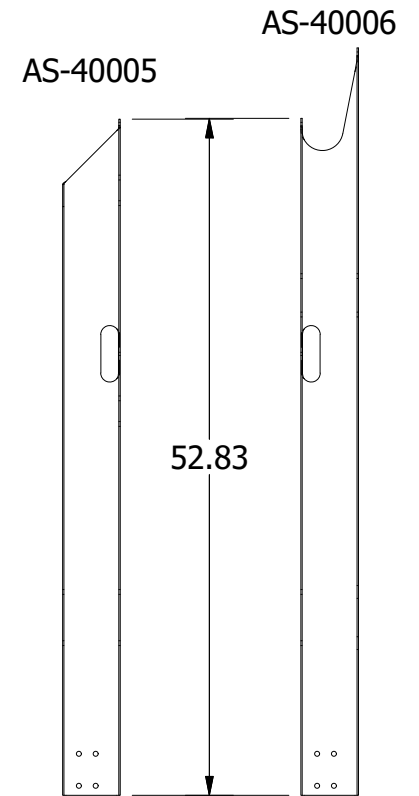
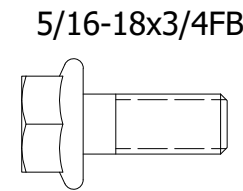
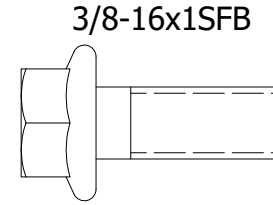
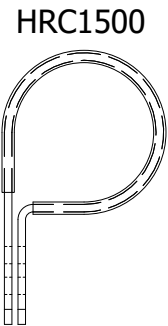
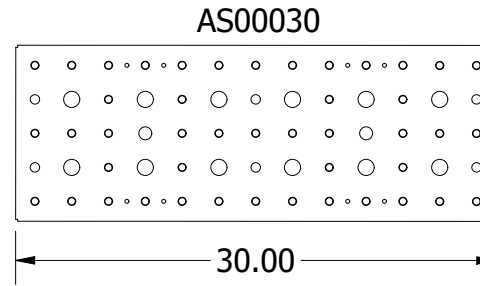
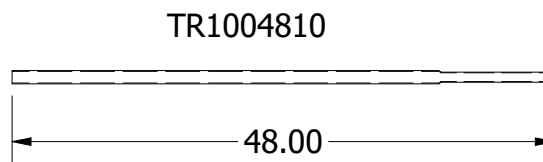
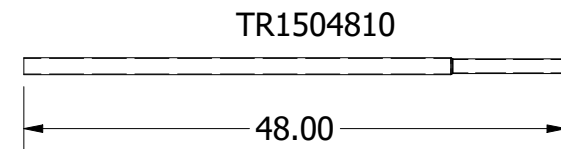
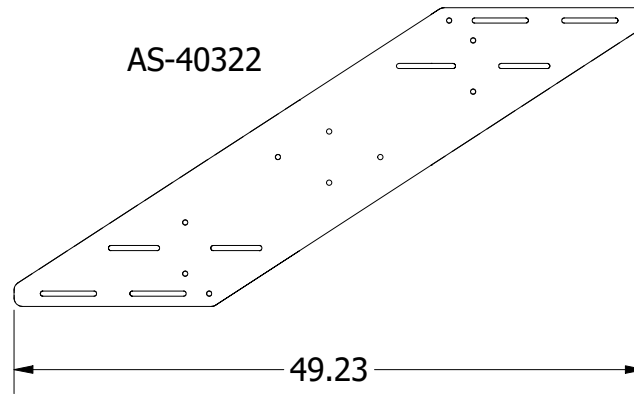
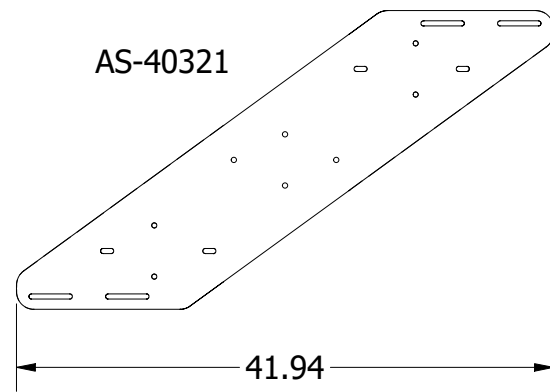
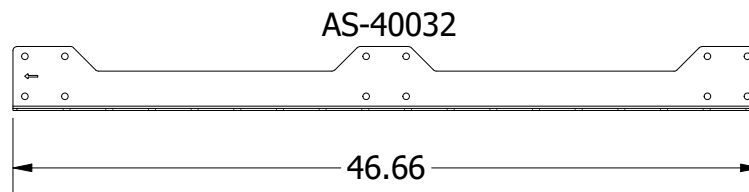
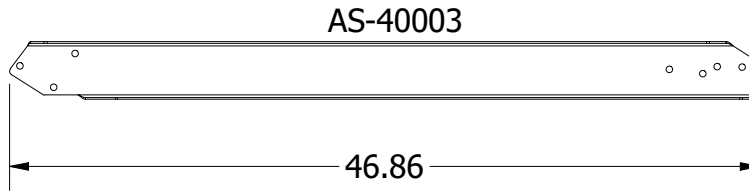
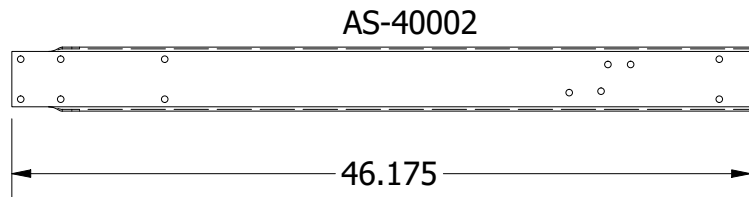


Parts List

| PARTS LIST | | |
|---------------|--------------------------------------|-----|
| PART NUMBER | DESCRIPTION | QTY |
| AS-40002 | Stair Channel Crossbar | 1 |
| AS-40003 | Kneebrace | 1 |
| AS-40032 | Stair Wall Bracket | 1 |
| 3/8-16x1SFB | 3/8"-16 x 1" Flange Bolt | 32 |
| 3/8-16SFN | 3/8"-16 Whiz Lock Nut | 32 |
| AS-40321 | Inside Siderail | 1 |
| AS-40322 | Outside Siderail | 1 |
| AS-00030 | 30" x 11" Stair Tread | 3 |
| AS-40005 | Inside Stair Post | 1 |
| AS-40006 | Outside Stair Post w/Guardrail | 1 |
| HRC1500 | Handrail Clamp for 1.5 in Handrail | 3 |
| Floor Screw | Self-Tapping Screw | 5 |
| 5/16-18x3/4FB | 5/16"-18 x 3/4" Flange Bolt | 3 |
| 5/16-18SFN | 5/16"-18 Whiz Lock Nut | 3 |
| TR1504810 | 1.5" Handrail, 48" Length, 10" Swage | 3 |
| TR1004810 | 1.1" Handrail, 48" Length, 10" Swage | 2 |

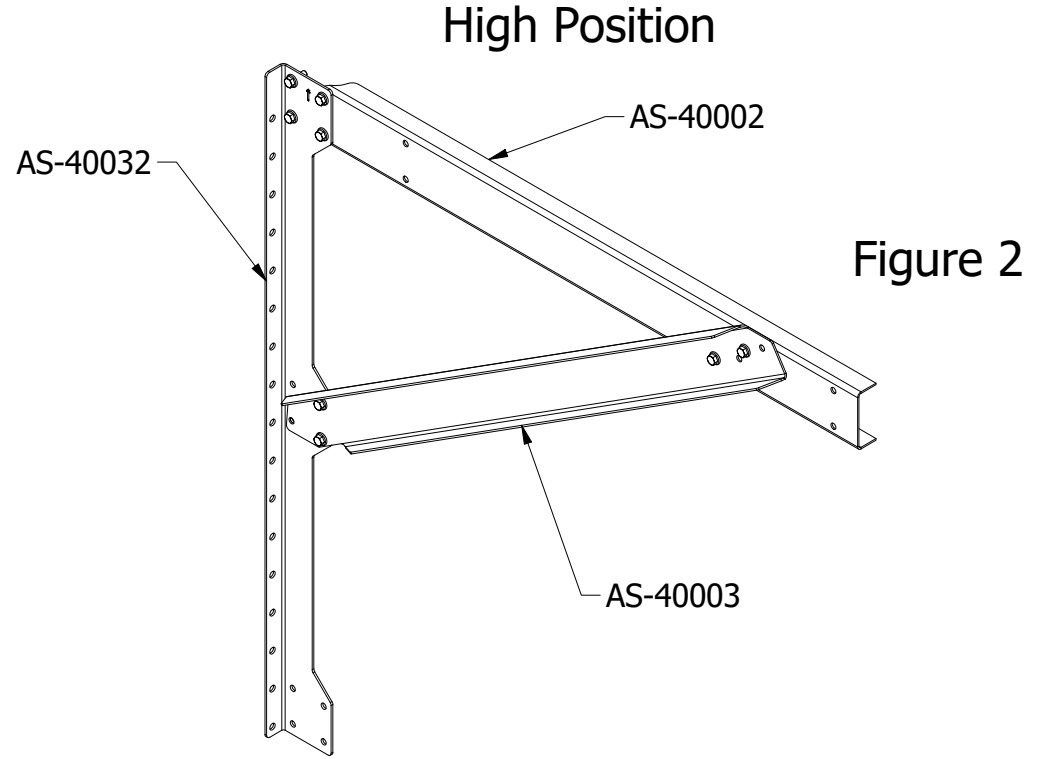
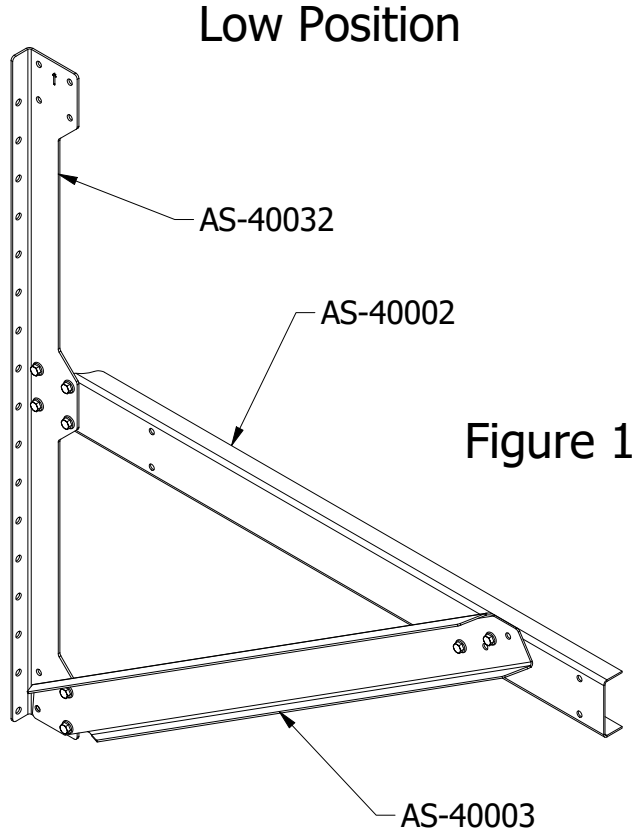
| | | | |
|----------------------------|-----------|---|-----------------------------|
| DRAWN Marcus Wilmsmeyer | 5/17/2019 | Greene Galvanized Stairs East Lynn, IL 217.375.4244 www.greenebinstairs.com | |
| CHECKED | | TITLE A-Series 32" Sidewall Stair Assembly Instructions | |
| QA | | SIZE A | DWG NO IN-AWT0266 |
| MFG | | SCALE | REV 1 |
| APPROVED | | SHEET 2 OF 8 | |

Parts List (Continued)



| | | | |
|----------------------------|-----------|---|----------------------|
| DRAWN Marcus Wilmsmeyer | 5/17/2019 | Greene Galvanized Stairs East Lynn, IL 217.375.4244 www.greenebinstairs.com | |
| CHECKED | | TITLE A-Series 32" Sidewall Stair Assembly Instructions | |
| QA | | SIZE A | DWG NO IN-AWT0266 |
| MFG | | SCALE 1/12 | REV 1 |
| APPROVED | | SHEET 3 OF 8 | |

Step 1



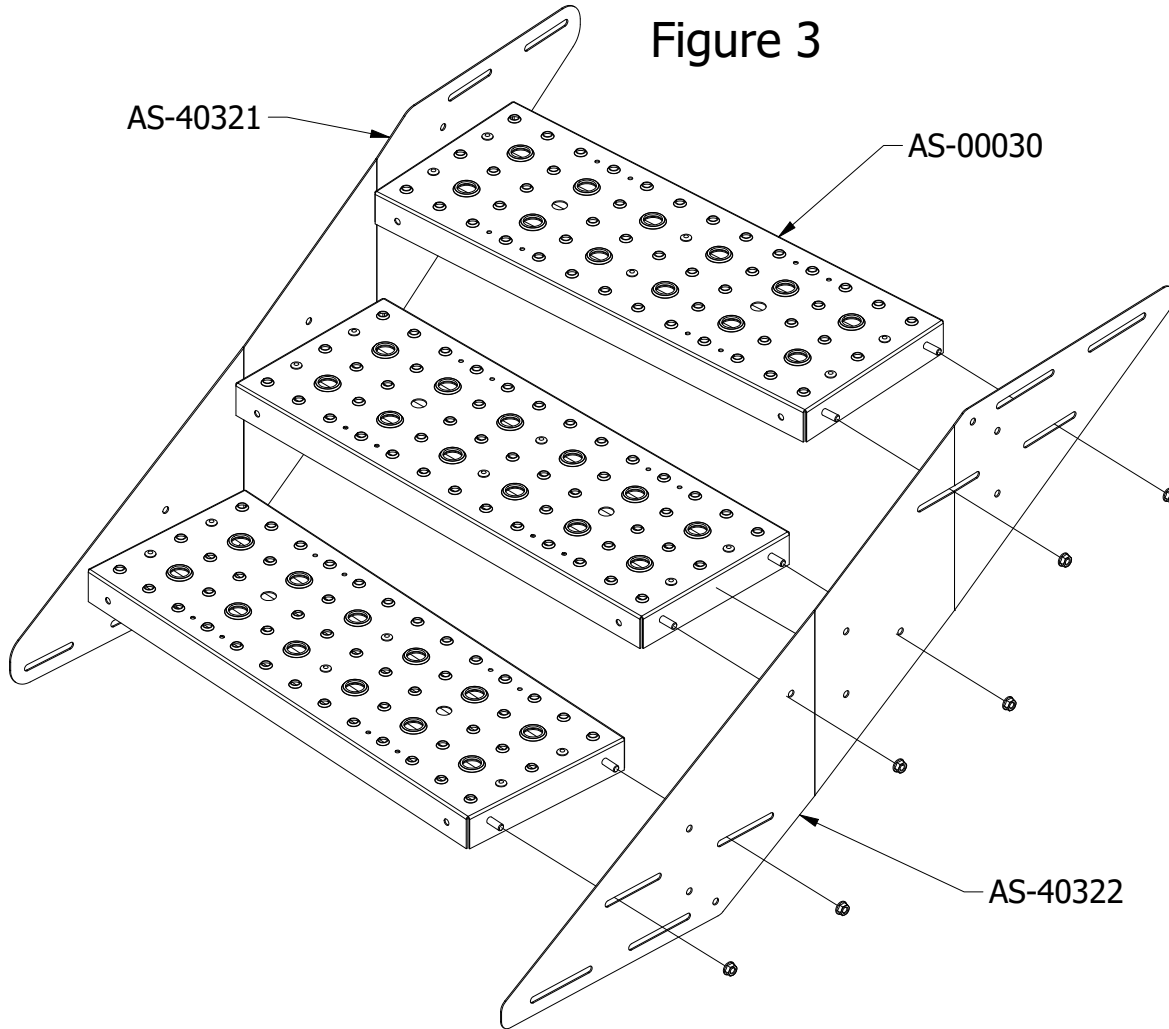
- A. To assemble the wall brackets, take one (1) AS-40032 Wall Bracket, one (1) AS-40002 Crossbrace, and one (1) AS-40003 Kneebrace, and assemble them as shown in either the Low Position or High Position.
- B. As a general rule, for every Low brace, there will be two (2) High braces assembled.
- C. Secure the parts together using eight (8) 3/16" Flange Bolts and eight (8) 3/16" Lock Nuts.

| PARTS USED IN STEP 1 | | |
|----------------------|------------------------------------|-----|
| PART NUMBER | DESCRIPTION | QTY |
| AS-40002 | Stair Crossbar Channel | 1 |
| AS-40003 | Kneebrace | 1 |
| AS-40032 | Wall Stair Bracket, 32"/42.6" ring | 1 |
| 3/8-16x1SFB | 3/8"-16 x 1" Flange Bolt | 8 |
| 3/8-16SFN | 3/8"-16 Whiz Lock Nut | 8 |

| | | | |
|----------------------------|-----------|---|----------------------|
| DRAWN Marcus Wilmsmeyer | 5/17/2019 | Greene Galvanized Stairs East Lynn, IL 217.375.4244 www.greenebinstairs.com | |
| CHECKED | | TITLE A-Series 32" Sidewall Stair Assembly Instructions | |
| QA | | SIZE A | DWG NO IN-AWT0266 |
| MFG | | SCALE 1/11 | REV 1 |
| APPROVED | | SHEET 4 OF 8 | |

Step 2

Figure 3



- A. Place three (3) AS00030 Stair Treads to the Inside Siderail (AS-40321), as shown in Figure 3.
- B. Secure in place using six (6) 3/8" Flange Bolts and six (6) 3/8" Lock Nuts.
- C. Place the AS-40322 Outside Siderail against the three stair treads.
- D. Secure in place using six (6) 3/8" Flange Bolts and six (6) 3/8" Lock Nuts.

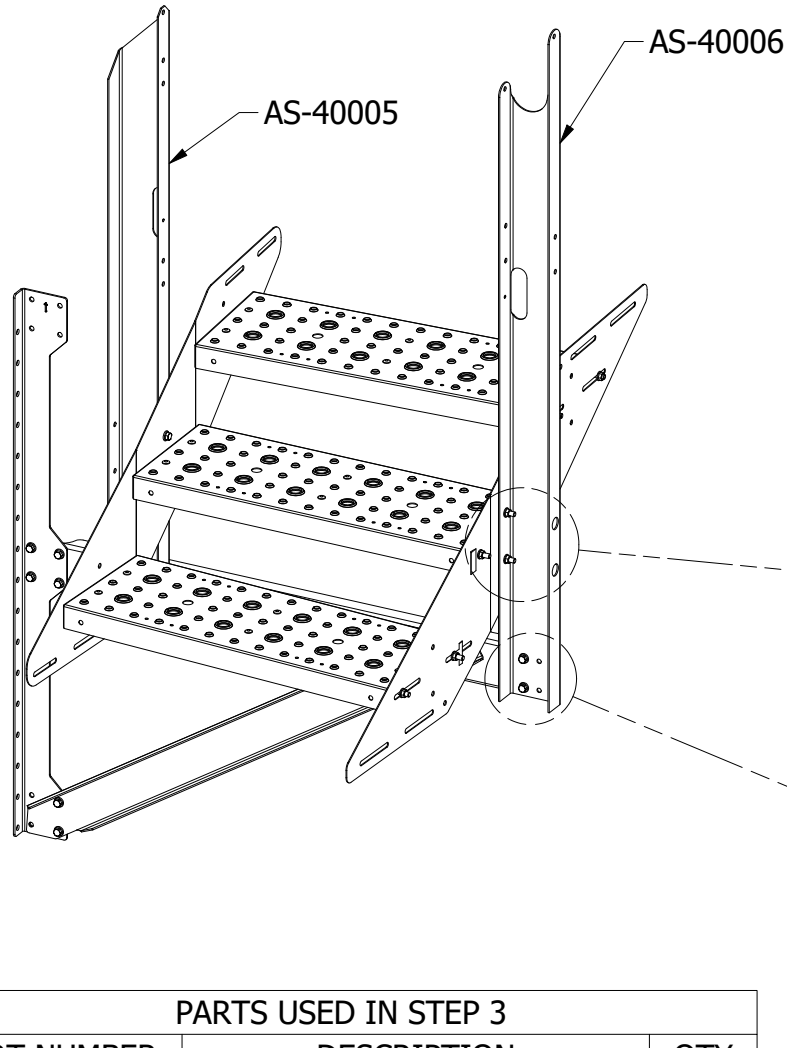
PARTS USED IN STEP 2

| PART NUMBER | DESCRIPTION | QTY |
|-------------|-----------------------------|-----|
| AS-40321 | Inside Siderail | 1 |
| AS-40322 | Outside Siderail | 1 |
| AS00030 | Tread 30 x 11 Step Assembly | 3 |
| 3/8-16x1SFB | 3/8"-16 x 1" Flange Bolt | 12 |
| 3/8-16SFN | 3/8"-16 Whiz Lock Nut | 12 |

| | | | |
|----------------------------|-----------|---|----------------------|
| DRAWN Marcus Wilmsmeyer | 5/17/2019 | Greene Galvanized Stairs East Lynn, IL 217.375.4244 www.greenebinstairs.com | |
| CHECKED | | TITLE A-Series 32" Sidewall Stair Assembly Instructions | |
| QA | | SIZE A | DWG NO IN-AWT0266 |
| MFG | | SCALE 1/10 | REV 1 |
| APPROVED | | SHEET 5 OF 8 | |

Step 3

Figure 4



- A. Attach the Inside Stair Post AS-40005 to the wall bracket using two (2) 3/8" Flange Bolts and two (2) 3/8" Lock Nuts. The left-two bolt holes will be used.
- B. Set the stair section onto the Inside Stair Post using two (2) 3/8" Flange Bolts and two (2) 3/8" Lock Nuts.
- C. Attach the Outside Stair Post AS-40006 to the wall bracket using two (2) 3/8" Flange Bolts and two (2) 3/8" Lock Nuts. The left-two bolt holes will be used.
- D. Attach the Outside Stair Post to the stair section using two (2) 3/8" Flange Bolts and two (2) 3/8" Lock Nuts.

| PARTS USED IN STEP 3 | | |
|----------------------|---------------------------------|-----|
| PART NUMBER | DESCRIPTION | QTY |
| AS-40005 | Inside Stair Post | 1 |
| AS-40006 | Outside Stair Post w/ Guardrail | 1 |
| 3/8-16x1SFB | 3/8"-16 x 1" Flange Bolt | 8 |
| 3/8-16SFN | 3/8"-16 Whiz Lock Nut | 8 |

| | | | |
|----------------------------|-----------|---|------------|
| DRAWN Marcus Wilmsmeyer | 5/17/2019 | Greene Galvanized Stairs East Lynn, IL 217.375.4244 www.greenebinstairs.com | |
| CHECKED | | TITLE | |
| QA | | A-Series 32" Sidewall Stair | |
| MFG | | Assembly Instructions | |
| APPROVED | | SIZE | DWG NO |
| | | A | IN-AWT0266 |
| | | SCALE | REV |
| | | 1/15 | 1 |
| | | SHEET 6 OF 8 | |

Step 4

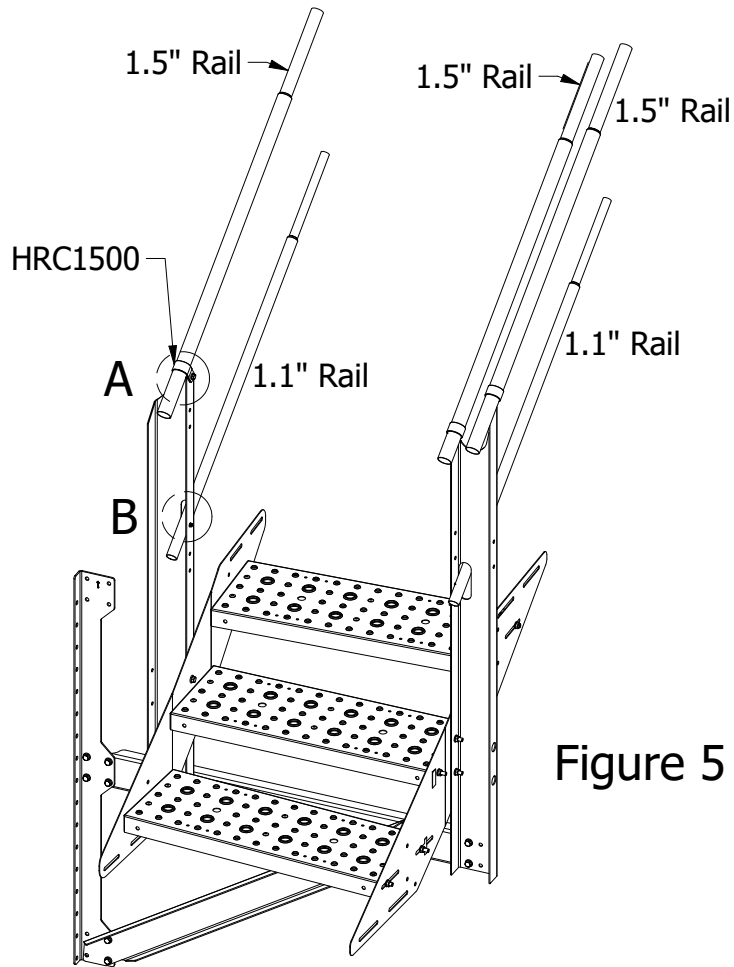
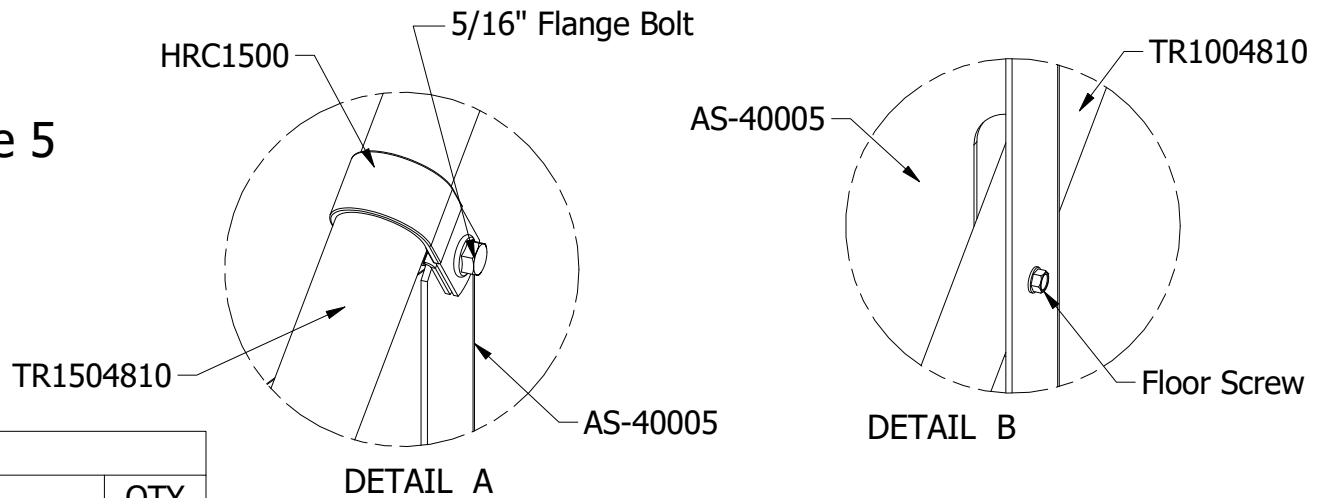


Figure 5

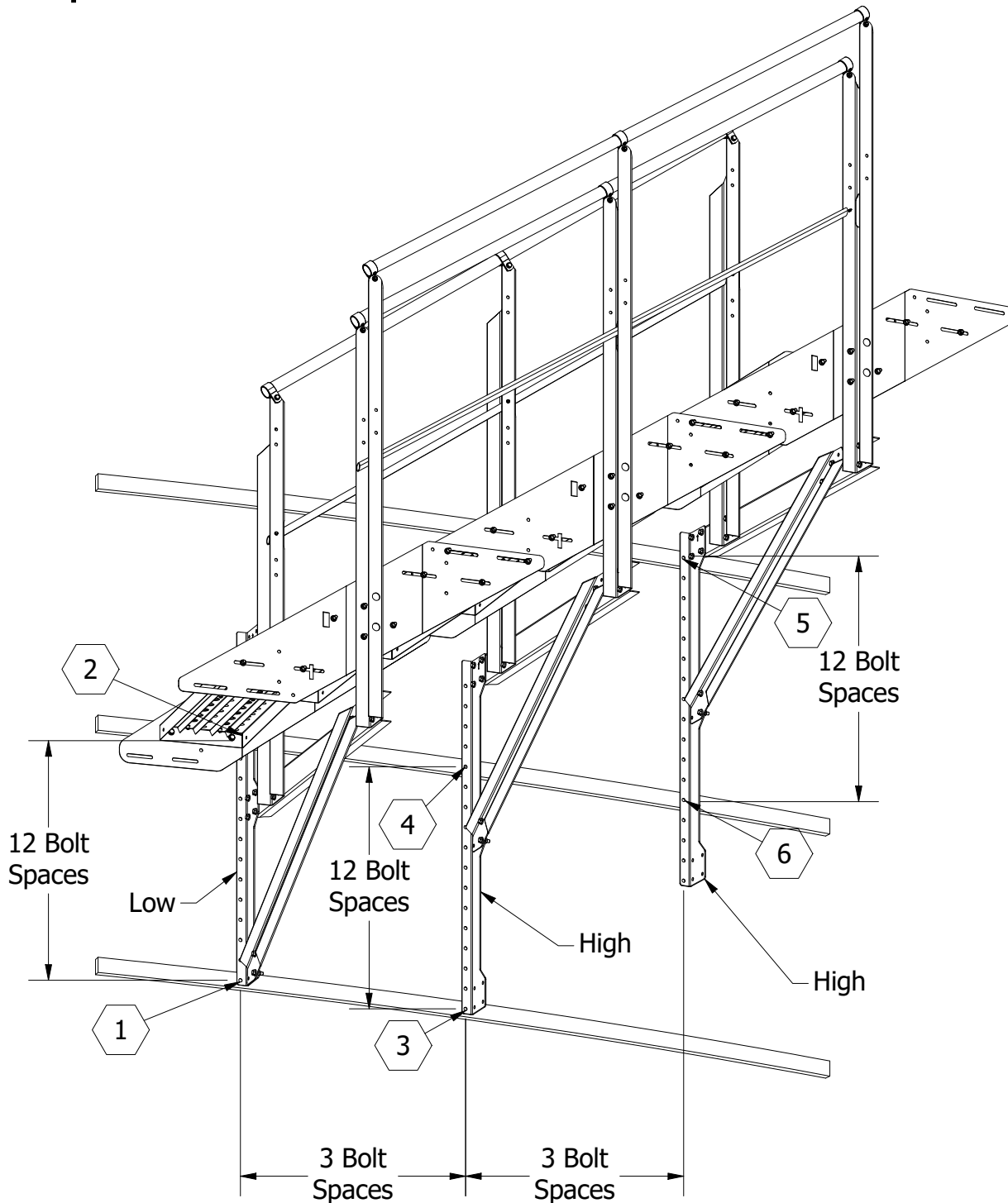
- A. Using three (3) HRC1500 Handrail P-Clamps, secure the three (3) TR1504810 1.5" Handrails to the posts as shown in Figure 5. The P-Clamps should be facing away from the posts; refer to Detail A.
- B. Secure the P-Clamps using three (3) 5/16" Flange Bolts and three (3) 5/16" Lock Nuts. The bolts should be facing outwards, away from the stairs.
- C. Secure the two (2) TR1004810 1.1" Handrails to the inside of the posts using two (2) Floor Screws. Refer to Detail B.
- D. Using three (3) Floor Screws, secure the 1.5" Handrails to the 1.5" P-Clamps, drilling through the underside of the P-Clamp.



| PARTS USED IN STEP 4 | | |
|----------------------|------------------------------------|-----|
| PART NUMBER | DESCRIPTION | QTY |
| 5/16-18x3/4FB | 5/16"-18 x 3/4" Flange Bolt | 3 |
| 5/16-18SFN | 5/16"-18 Whiz Lock Nut | 3 |
| HRC1500 | 1.5" Handrail P-Clamp | 3 |
| Floor Screw | Self-Tapping Screw | 5 |
| TR1504810 | 1.5" Handrail, 48" Long, 10" Swage | 3 |
| TR1004810 | 1.1" Handrail, 48" Long, 10" Swage | 2 |

| | | | |
|----------------------------|-----------|---|----------------------|
| DRAWN Marcus Wilmsmeyer | 5/17/2019 | Greene Galvanized Stairs East Lynn, IL 217.375.4244 www.greenebinstairs.com | |
| CHECKED | | TITLE A-Series 32" Sidewall Stair Assembly Instructions | |
| QA | | SIZE A | DWG NO IN-AWT0266 |
| MFG | | SCALE 1/20 | REV 1 |
| APPROVED | | SHEET 7 OF 8 | |

Step 5



Three AWT0266 stair sections will be used over the course of two 32" bin sheets: Two (2) high-mounted stair sections, and one (1) low-mounted stair section.

- A. The low section (Low Bracket) will be mounted with Bolt 1 on the bottom hole of the lower bin sheet. Bolt 2 will line up with the top hole of the lower bin sheet. Bolt 2 is twelve (12) bolt spaces away from Bolt 1 on the bracket.
- B. The middle section (High Bracket) will be mounted with Bolt 3 on the bottom hole of the lower bin sheet. Bolt 4 will line up with the top hole of the lower bin sheet. Bolt 4 is twelve (12) bolt spaces away from Bolt 3 on the bracket.
- C. The high section (High Bracket) will be mounted with Bolt 5 on the top hole of the upper bin sheet. Bolt 6 will line up with the bottom hole of the lower bin sheet. Bolt 6 is twelve (12) bolt spaces away from Bolt 5 on the bracket.

Going up, the next stair section will be a Low Bracket in the low position (Step A).

Each bracket is three horizontal bolt spaces (28.12 in.) from the next bracket.

| | | | |
|----------------------------|-----------|---|----------------------|
| DRAWN Marcus Wilmsmeyer | 5/17/2019 | Greene Galvanized Stairs East Lynn, IL 217.375.4244 www.greenebinstairs.com | |
| CHECKED | | TITLE A-Series 32" Sidewall Stair Assembly Instructions | |
| QA | | SIZE A | DWG NO IN-AWT0266 |
| MFG | | SCALE 1/20 | REV 1 |
| APPROVED | | SHEET 8 OF 8 | |