

APPROVED BY: _____

DATE: _____ DATE APPROVED: _____

STANDARD FEATURES

CUSTOMER INFORMATION

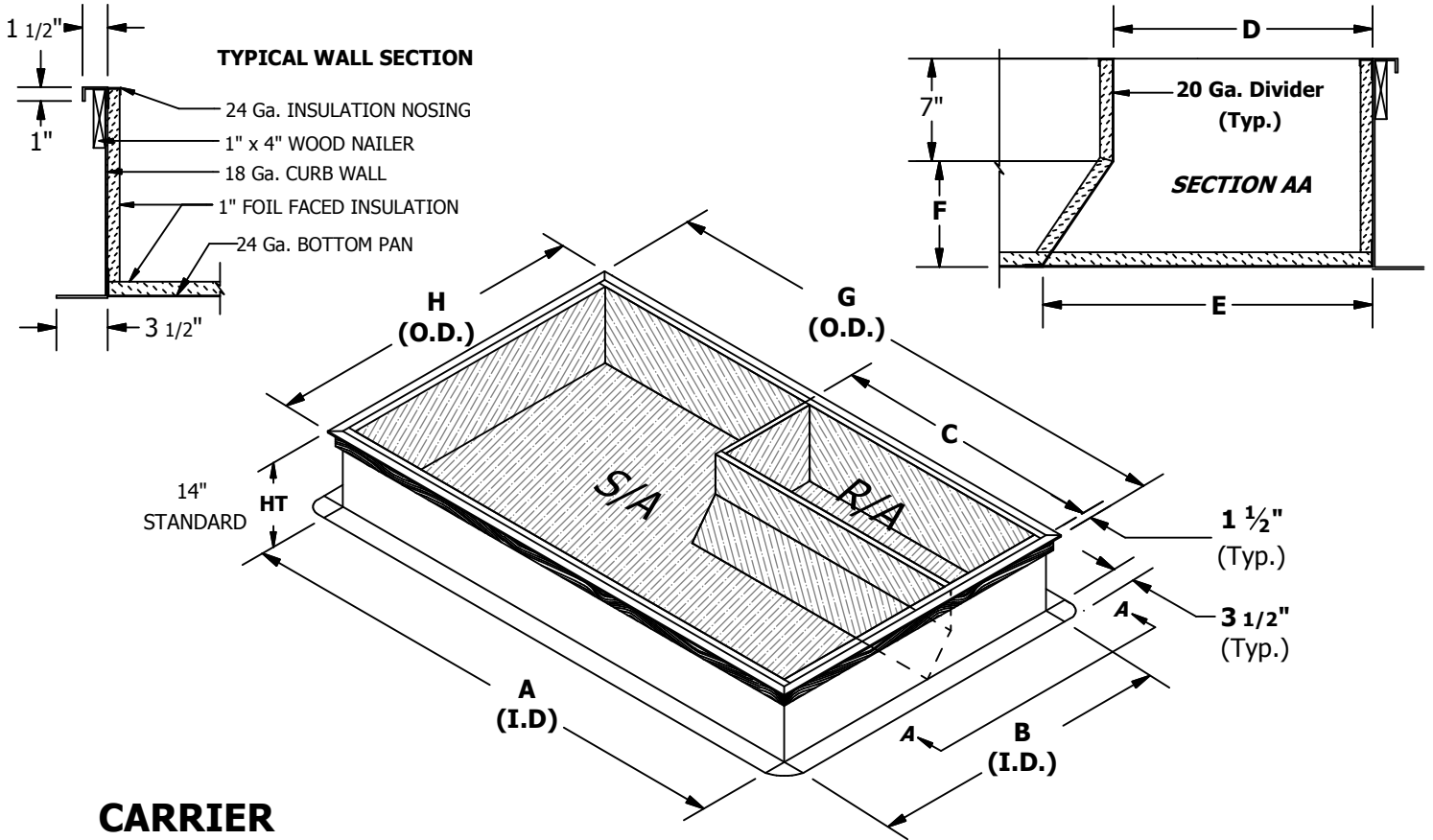
- 18 Ga. Galvanized Steel Fully Welded One-Piece Construction
- 24 Ga. Solid bottom • 20 Ga. Divider • Coated Welds
- 1" Foil Faced Insulation, Taped & Caulked • 1 x 4 Wood Nailer

PROJECT NAME: _____

CITY, STATE: _____

JOB NUMBER: _____

COMPANY: _____



**CARRIER
PLENUMIZED CURBS
300 Series
12.5(HE) & 15 ton Units**

HVAC CURBS		Curb I.D. / R/A Opening / S/A Opening / Curb O.D.								CARRIER UNIT MODEL NUMBER				
Qty.	Model	Ht	A	B	C	D	E	F	G	H				
	PLC 314-S	14"						7"						
	PLC 318-S	18"	105 3/4"	54"	54"	15 1/2"	24"	11"	108 3/4"	57"	48/50 HC 14			
	PLC 324-S	24"						17"						
	PLC 314-L	14"						7"						
	PLC 318-L	18"	105 3/4"	54"	70 1/2"	15 1/2"	24"	11"	108 3/4"	57"			48/50 TC 16	
	PLC 324-L	24"						17"						