

LEGENDS/SYMBOLS

	FINISHED WOOD		PLYWOOD
	DIMENSION LUMBER		BATT INSULATION
	FACE BRICK		GROUT
	RIGID INSULATION		GLAZED TILE
	CUT STONE		MARBLE
	CONCRETE		ACOUSTICAL CEILING
	CONCRETE BLOCK		SHIM PACK
	STEEL IN SECTION		ALUMINUM
	DENOTES BLOCKING OR SHIM, NOT CONTINUOUS, NOT NECESSARILY ONE PIECE		
	DENOTES BACKER ROD OR CAULK ROPE		
	ANCHOR LOCATION		
	FASTENER LOCATION		
	DIMENSIONAL REFERENCE / ELEVATION		
	WORKING POINT		
	FIELD APPLIED SEALANT		
	SHOP DRILL		
	FIELD DRILL		
	GLAZING INDICATION NUMBER		
	DETAIL NUMBER		
	SHEET NUMBER		
	DETAIL NUMBER SHEET NUMBER		
	ARCHITECTURAL REFERENCE		
	ELEVATION TITLE (LARGE HEXAGON)		
	REVISION NO. (SMALL TRIANGLE)		
	DOOR NUMBER		
	ELEVATION LOCATION-VIEW POINT ELEVATION MARK/TITLE ELEVATION SHEET NUMBER		
	PLAN NORTH		
	DENOTES NORTH DIRECTION		

# NHA5/6 DATA CENTER HUNTSVILLE, ALABAMA EXTERIOR SUBMITTAL

**ARCHITECT:**  
 BURNS MCDONNELL  
 9400 WARD PARKWAY  
 KANSAS CITY, MO 64114  
 P: 816.333.9400  
 WWW.BURNSMCD.COM

**ERECTOR**



3221-A WESTWOOD INDUSTRIAL DRIVE  
 MONROE, NC 28110  
 704-291-7711  
 WWW.GLASS1ST.NET

**ABBREVIATIONS**

A/C = ACCESS CONTROLLED	N.I.C. = NOT IN CONTRACT
A.F.F. = ABOVE FINISHED FLOOR	N.T.S. = NOT TO SCALE
B.O. = BY OTHERS	O.D. = OPENING DIMENSION
B.O.H. = BOTTOM OF HORIZONTAL	O.F.D. = OVERALL FRAME DIMENSION
C.L. = CENTER LINE	REF. = REFERENCE
DIM. = DIMENSION	R.O. = ROUGH OPENING
D.L.O. = DAYLIGHT OPENING	T.O.F.F. = TOP OF FINISHED FLOOR
D.L. = DEAD LOAD (ANCHOR)	T.O.H. = TOP OF HORIZONTAL
D.O. = DOOR OPENING	T.O.S. = TOP OF SLAB
EL. = ELEVATION	T.O.STL. = TOP OF STEEL
F.S. = FRAME SIZE	U.N.O. = UNLESS NOTED OTHERWISE
F.F. = FINISH FLOOR	W.C. = WEB CENTER
G.C. = GENERAL CONTRACTOR	W.D. = WINDOW DIMENSION
M.O. = MASONRY OPENING	W.L. = WIND LOAD (ANCHOR)
M.L. = MULLION LENGTH	W.P. = WORKING POINT
N.B.F.C. = NOT BY 1ST CHOICE GLASS	

THE FOLLOWING DOCUMENTS WERE USED TO APPLY MANUFACTURERS CONFIRMED QUOTED JOB SCOPE TO THE JOB CONDITIONS.

ARCHITECTURAL DRAWINGS: DATED 12/18/2020

CUSTOMER TAKEOFF: YES \_\_\_\_\_

SPECIFICATIONS: YES \_\_\_\_\_

ADDENDUM: YES \_\_\_\_\_

OTHER: NA \_\_\_\_\_

**INDEX**

SHEET NUMBER	DESCRIPTION
.01	COVER SHEET
.02	GENERAL INFORMATION / DOOR SCHEDULE
1.01 - 1.04	FLOOR PLANS
2.01 - 2.20	ELEVATIONS
3.01 - 3.13	DETAILS
4.01 - 4.02	SUNSHADE DETAILS

16TH REVISION BY CW	9/27/22
15TH REVISION BY CW	7/25/22
14TH REVISION BY CW	5/11/22
13TH REVISION BY CW	2/01/22
NO DESCRIPTION	DATE
DRAWING SUBMISSION	
PROJECT: NHA5/6 DATA CENTER (EXTERIOR)	
LOCATION: HUNTSVILLE, ALABAMA	
ERECTOR: 1ST CHOICE GLASS	
DRAWN BY: Du	DATE: 6/17/21
CHECKED BY: TH	DATE: 6/17/21
JOB NO.:	
SHEET NO.: .01	

PRODUCT TYPES

CURTAINWALL:  
KAWNEER 1600IR SYSTEM 1 - 2 1/2" X 10 13/16" FRONT SET TO ACCEPT 1 5/16" GLASS

(CW01) (CW02A) (CW02B) (CW02C) (CW03) (CW04) (CW05) (CW06) (CW07) (CW08) (CW09) "WEST PEWTER METALLIC"

EXTERIOR STOREFRONT:  
KAWNEER IR501UT - 2 3/4" X 5" THERMAL CENTER SET TO ACCEPT 1 5/16" GLASS

(CW10) (CW11) (CW12) (CW13) "WEST PEWTER METALLIC"

EXTERIOR STOREFRONT:  
KAWNEER IR501UT - 2 3/4" X 5" THERMAL CENTER SET TO ACCEPT 1 5/16" GLASS

(W.IN.01) (W.IN.04) (W.IN.05) (W.IN.06) (W.IN.07) (W.IN.10) (W.IN.13) (W.IN.14) "MEDIUM GRAY"

FINISH

AWF-1 = WEST PEWTER METALLIC - UC141331XL  
3 COAT - 70% KYNAR CUSTOM METALLIC

AWF-2 = MEDIUM GRAY - UC141330XL  
3 COAT - 70% KYNAR CUSTOM METALLIC

SPECIAL NOTES:

- SEE SEPARATE SAMPLES FOR GLASS MAKE UP.
- ALL BLOCKING AND STRUCTURAL SUPPORT IS SUPPLIED AND INSTALLED BY OTHERS. CONTRACTOR TO COORDINATE.
- THE MAIN STRUCTURE MUST BE CAPABLE OF WITHSTANDING THE LOADS IMPOSED BY THE KAWNEER GLAZING SYSTEMS. STRUCTURE MUST PROVIDE SUITABLE ANCHORAGE FOR THESE GLAZING SYSTEMS. AND MUST BE ERECTED WITH IN SPECIFIED BUILDING TOLERANCES.
- U.N.O. ALL BRAKE METAL IS TO MATCH WINDOW SYSTEM FINISH
- ALL GLAZING WILL BE REVIEWED AND APPROVED UNDER THE SEPARATE SUBMITTAL FOR GLAZING.

EXCLUSIONS:

- THE FOLLOWING ITEMS ARE NOT SUPPLIED BY 1ST CHOICE UNLESS STATED OTHERWISE.
- STRUCTURAL SUPPORT OR BLOCKING.
  - FINAL CLEANING OF GLASS OR METAL.
  - PROTECTION OF WORK IN PLACE.
  - FIRE PROOFING
  - FLASHING - CONTRACTOR TO ENSURE THAT DOCUMENTS ARE FOLLOWED.

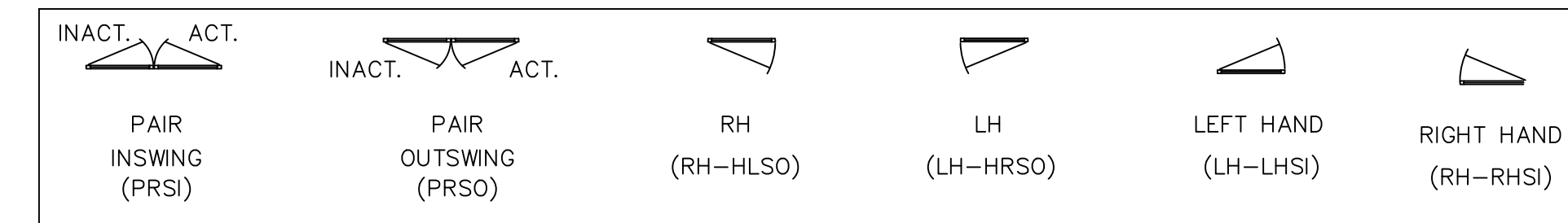
GLASS SCHEDULE

GLAZING TYPE	DESCRIPTION
GL10	1 5/16" VNE1-63 INULATED LAMINATED GLASS - 1/4" CLEAR TEMPERED W/ VNE1-63 ON #2 SURFACE - 1/2" MILL SPACER - 1/4" CLEAR TEMPERED - .090 PVB SENTRY GLASS INTERLAYER - 1/4" CLEAR TEMPERED
GL10A	9/16" VE1-48 INULATED LAMINATED GLASS - 1/4" CLEAR TEMPERED W/ VLE1-70 ON #2 SURFACE - .060 PVB SENTRY GLASS INTERLAYER - 1/4" CLEAR TEMPERED
GL11	1 5/16" VNE1-63 INULATED LAMINATED GLASS - 1/4" CLEAR TEMPERED W/ VNE1-63 ON #2 SURFACE - 1/2" MILL SPACER - 1/4" CLEAR TEMPERED - .090 PVB SENTRY GLASS INTERLAYER - 1/4" CLEAR TEMPERED W/ SILKSCREEN ON #6 SURFACE
GL13	1 5/16" VNE1-63 INULATED LAMINATED GLASS - 1/4" CLEAR TEMPERED W/ VNE1-63 ON #2 SURFACE - 1/2" SPACER - 1/4" CLEAR TEMPERED - .090 PVB SENTRY GLASS INTERLAYER - 1/4" CLEAR TEMPERED W/ INTERNAL SHADOW BOX

SEE SAMPLES AND SEPARATE SUBMITTAL FOR MAKE UP OF GLASS

DOOR SCHEDULE (STOREFRONT DOORS AND FRAMES)

DOOR #	OPENING SIZE	HW SET	DOOR TYPE	HAND	FRAME	FRAMING	AREA
5.01.H.17B	3'-2" X 8'-0"	SE2A	ALUM/GLASS	LH-HRSO	CW02B	1600IR	ENTRY VESTIBULE
5.01.J.02C	3'-1 1/2" X 7'-10 3/4"	SE6A	ALUM/GLASS	LH-HRSO	CW03	1600IR	MULTI-PURPOSE
5.02.G.02	3'-1 1/2" X 7'-10 3/4"	SE6A	ALUM/GLASS	RH-HRSI	CW09	1600IR	BREAK OUT
5.02.G.24	3'-0" X 7'-10 3/4"	SE6A	ALUM/GLASS	RH-HRSI	CW08	1600IR	FOCUS AREA



DOOR NOTES:

- EXTERIOR STOREFRONT DOORS TO BE KAWNEER IR500 WIDE STILE DOORS WITH A 5" TOP RAIL AND 10" BOTTOM RAIL. TO ACCEPT 9/16" LAMINATED GLASS.

DOOR HARDWARE NOTES:

- ALL STOREFRONT DOOR HARDWARE IS SUPPLIED BY KAWNEER AND FIRST CHOICE GLASS.
- SEE HARDWARE SETS BELOW.
- KAWNEER HAS SUBSTITUTED THE PANIC DEVICE HARDWARE IN ORDER TO MAKE THE PANIC HARDWARE IMPACT RESISTANT.

HDWE SET # SE2A

- 1 ea Roton 780-112HD continuous hinge x clear finish
- 1 ea Von Duprin QEL E9847L-NL 996L-NL-M FSE hurricane electrified concealed rod panic x US32D
- 1 ea Securitron EPT power transfer
- 1 ea Kawneer cylinder x clear finish (temporary use only)
- 1 ea Kawneer door sweep x door finish
- 1 ea Kawneer 1/2" x 4" mill finish threshold
- 1 ea LCN 4040XP SCUSH parallel arm surface closer with drop plate & blade stop spacer x 689
- 1 ea Von Duprin PS900 power supply

NOTE: The balance of the access control hardware is by others.

HDWE SET # SE6A

- 1 ea Roton 780-112HD continuous hinge x clear finish
- 1 ea Von Duprin RX E9847L E996L-M FSE hurricane electrified concealed rod panic x US32D
- 1 ea Securitron EPT power transfer
- 1 ea Kawneer cylinder x clear finish (temporary use only)
- 1 ea Kawneer door sweep x door finish
- 1 ea Kawneer 1/2" x 4" mill finish threshold
- 1 ea LCN 4040XP SCUSH parallel arm surface closer with drop plate & blade stop spacer x 689

NOTE: The balance of the access control hardware is by others.

DATE	DESCRIPTION
9/27/22	16TH REVISION BY CW
7/25/22	15TH REVISION BY CW
5/11/22	14TH REVISION BY CW
2/01/22	13TH REVISION BY CW
	NO

DRAWING SUBMISSION

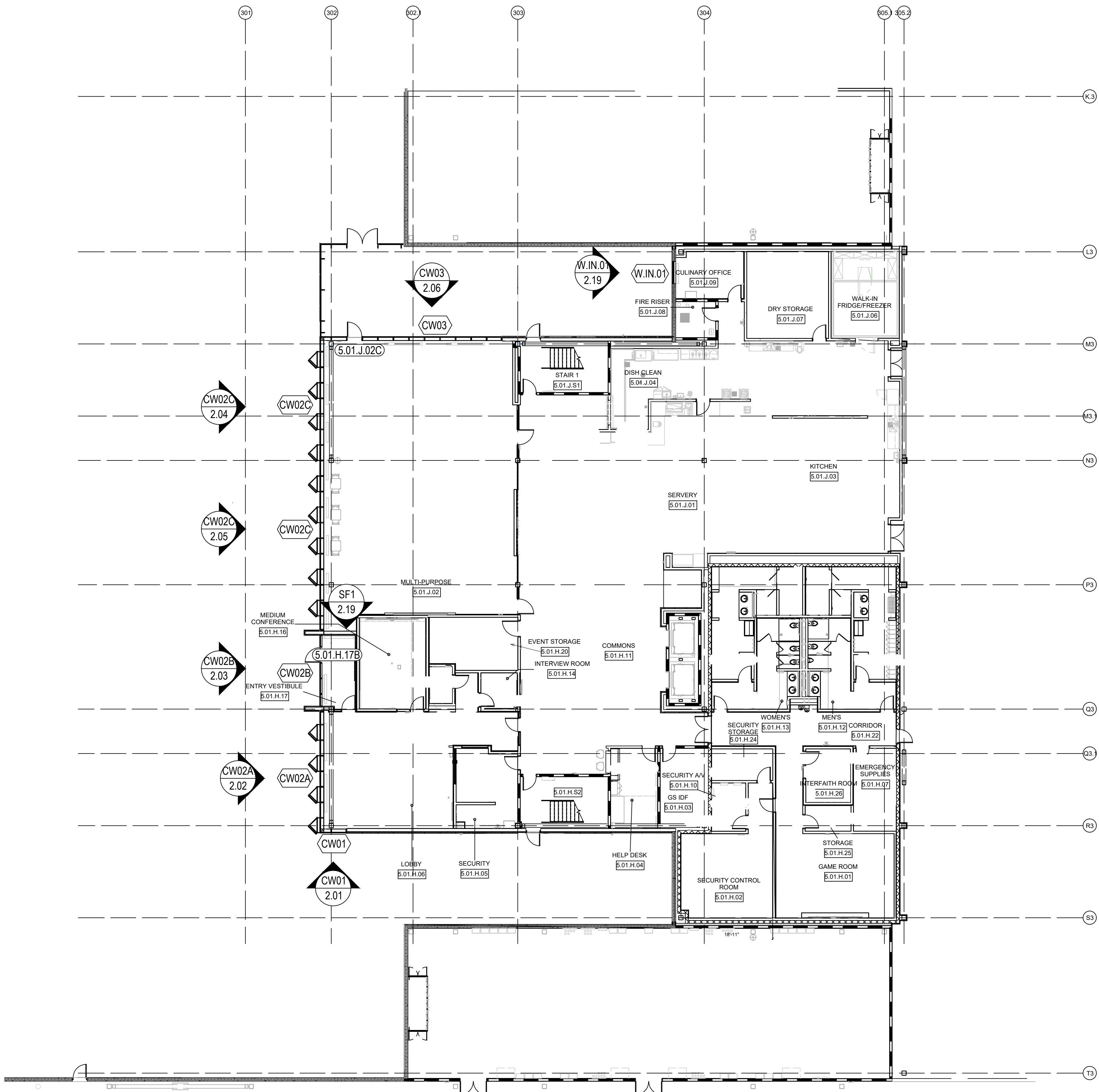
PROJECT: NHA5/6 DATA CENTER (EXTERIOR)  
LOCATION: HUNTSVILLE, ALABAMA  
ERECTOR: 1ST CHOICE GLASS



DRAWN BY: DU	DATE: 6/17/21
CHECKED BY: TH	DATE: 6/17/21

JOB NO.:

SHEET NO.: .02



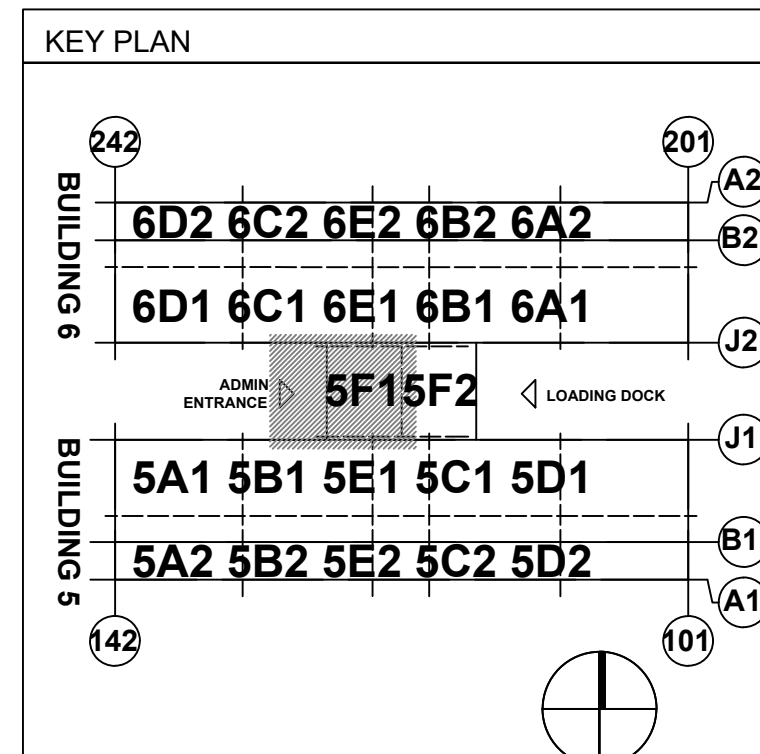
**ARCH / G.C. NOTE:**

FLOOR PLANS ARE PROVIDED FOR OPENING TYPE LOCATION ONLY. REFER TO SPECIFIC MARK ELEVATIONS FOR SIZE REFERENCE DIMENSIONING, MULLION SPACING, ETC.

**FLOOR PLAN - LEVEL 1 - AREA 5F1**

NTS

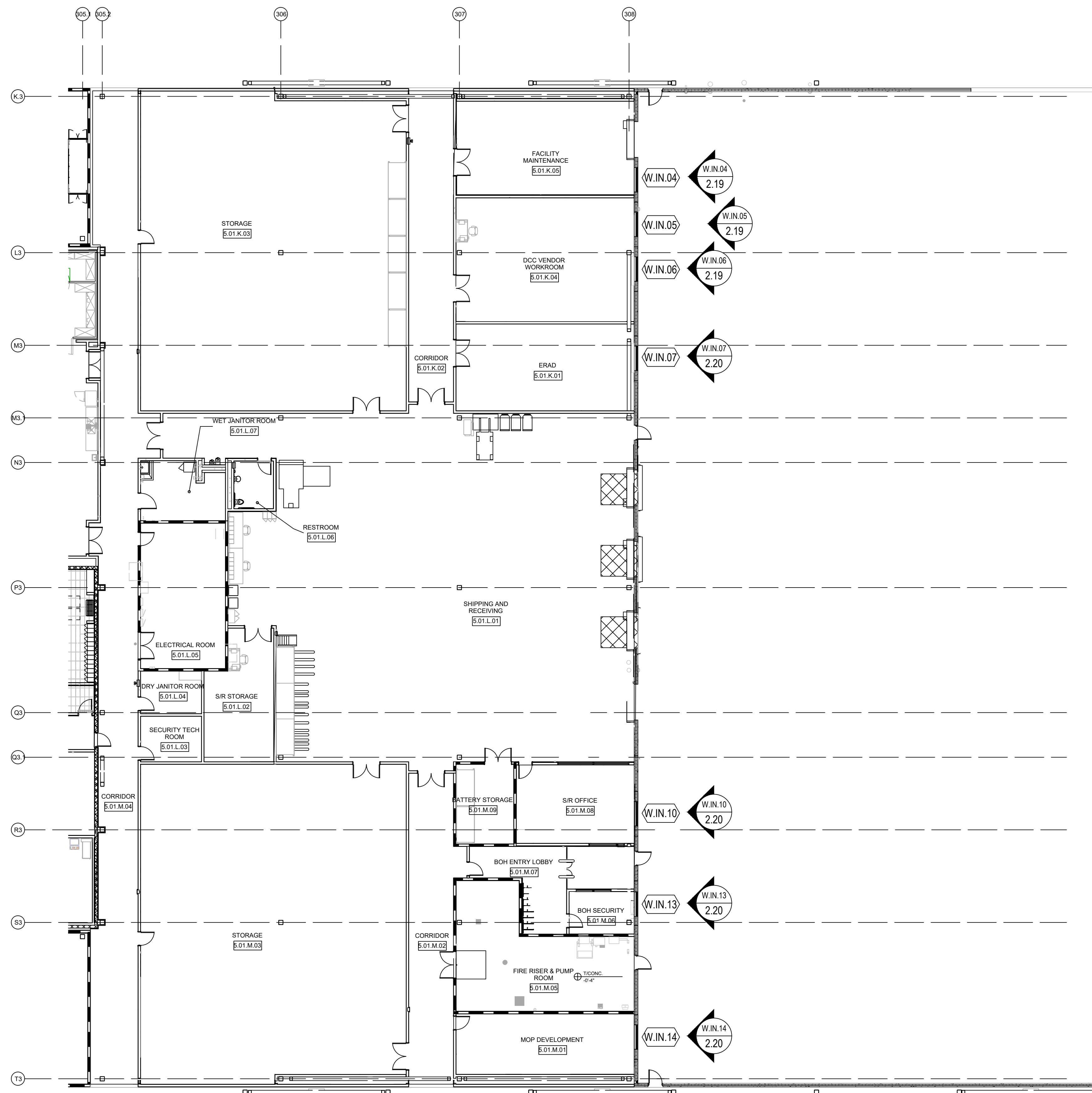
ARCH. REF.: A110.1-5F1



16TH REVISION BY CW	9/27/22
15TH REVISION BY CW	7/25/22
14TH REVISION BY CW	5/11/22
13TH REVISION BY CW	2/01/22
NO	DATE
DRAWING SUBMISSION	

PROJECT: NHA5/6 DATA CENTER (EXTERIOR)  
 LOCATION: HUNTSVILLE, ALABAMA  
 ERECTOR: 1ST CHOICE GLASS

DRAWN BY: DJ DATE: 6/17/21  
 CHECKED BY: TH DATE: 6/17/21  
 JOB NO.:  
 SHEET NO.: **1.01**



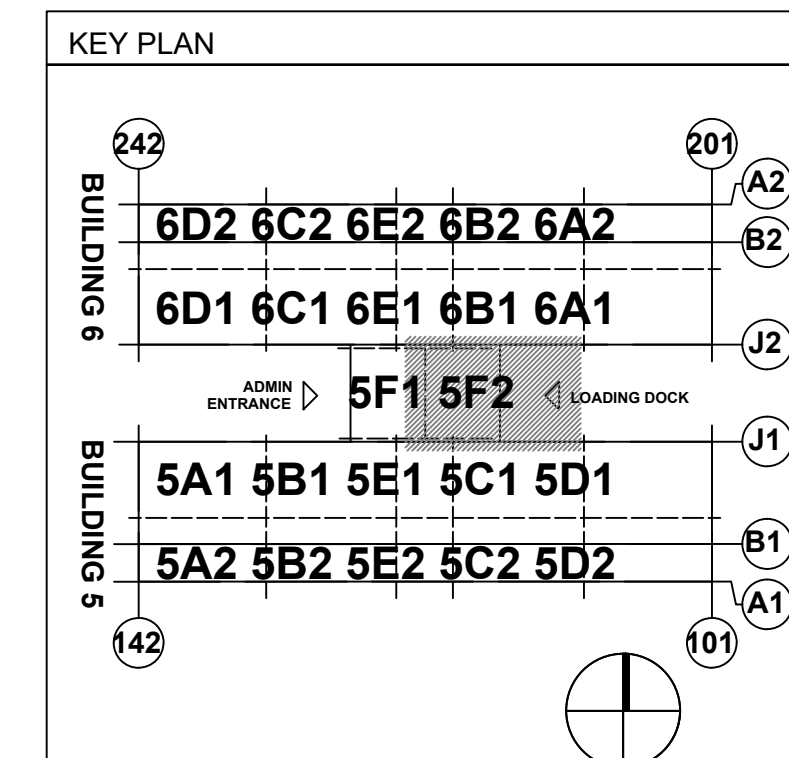
**ARCH / G.C. NOTE:**

FLOOR PLANS ARE PROVIDED FOR OPENING TYPE LOCATION ONLY. REFER TO SPECIFIC MARK ELEVATIONS FOR SIZE REFERENCE DIMENSIONING, MULLION SPACING, ETC.

**FLOOR PLAN - LEVEL 1 - AREA 5F2**

NTS

ARCH. REF.: A110.1-5F2



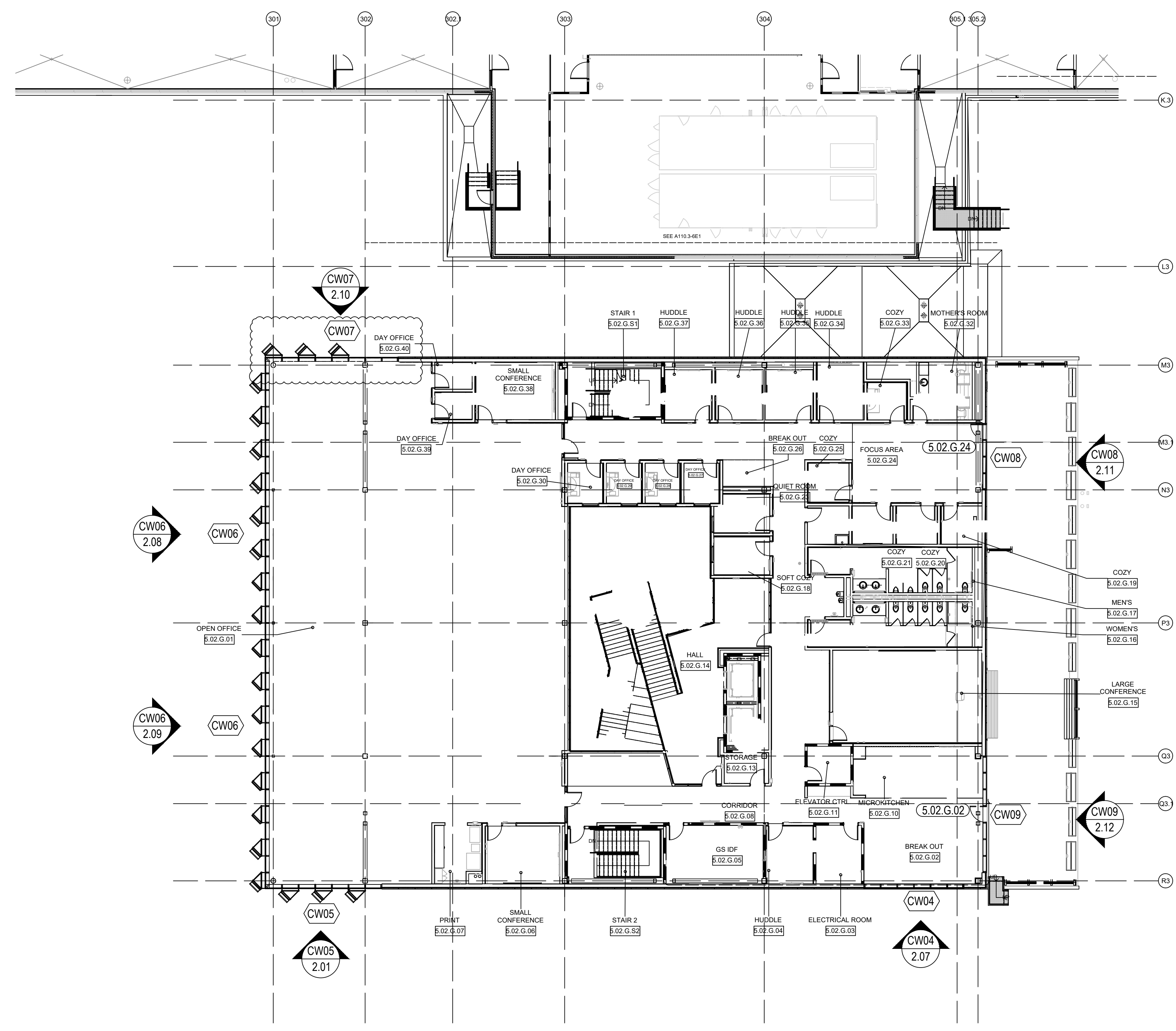
16TH REVISION BY CW	9/27/22
15TH REVISION BY CW	7/25/22
14TH REVISION BY CW	5/11/22
13TH REVISION BY CW	2/01/22
NO	DATE
DRAWING SUBMISSION	

PROJECT: NHA5/6 DATA CENTER (EXTERIOR)	
LOCATION: HUNTSVILLE, ALABAMA	
ERECTOR: 1ST CHOICE GLASS	

PROJECT:	NHA5/6 DATA CENTER (EXTERIOR)
LOCATION:	HUNTSVILLE, ALABAMA
ERECTOR:	1ST CHOICE GLASS

DRAWN BY:	DATE:
DJ	6/17/21
CHECKED BY:	DATE:
TH	6/17/21
JOB NO.:	
SHEET NO.:	1.02

16TH REVISION BY CW	9/27/22
15TH REVISION BY CW	7/25/22
14TH REVISION BY CW	5/11/22
13TH REVISION BY CW	2/01/22
NO	DATE
DRAWING SUBMISSION	



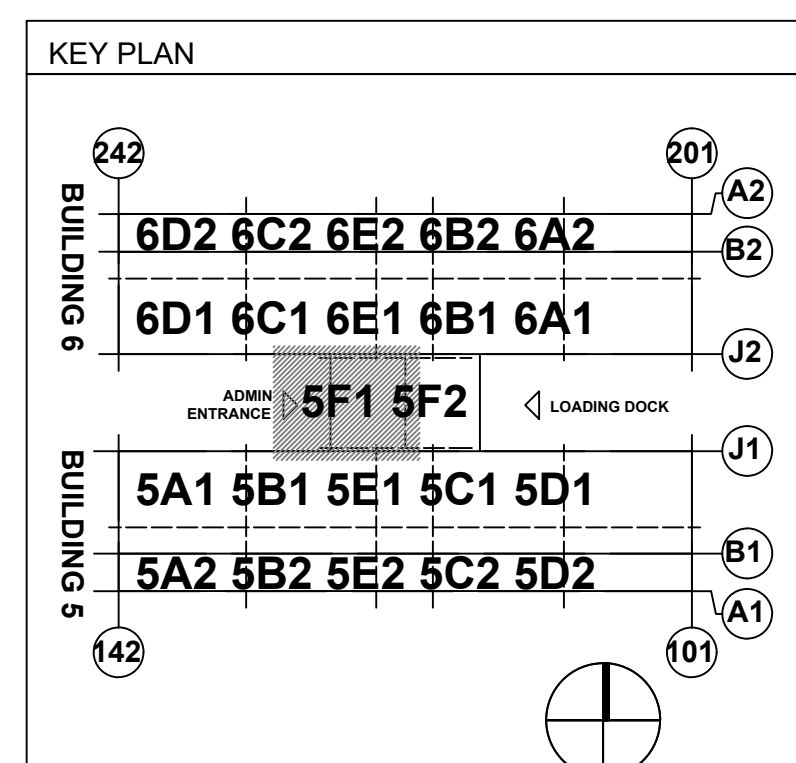
PROJECT: NHA5/6 DATA CENTER (EXTERIOR)	
LOCATION: HUNTSVILLE, ALABAMA	
ERECTOR: 1ST CHOICE GLASS	

**ARCH / G.C. NOTE:**

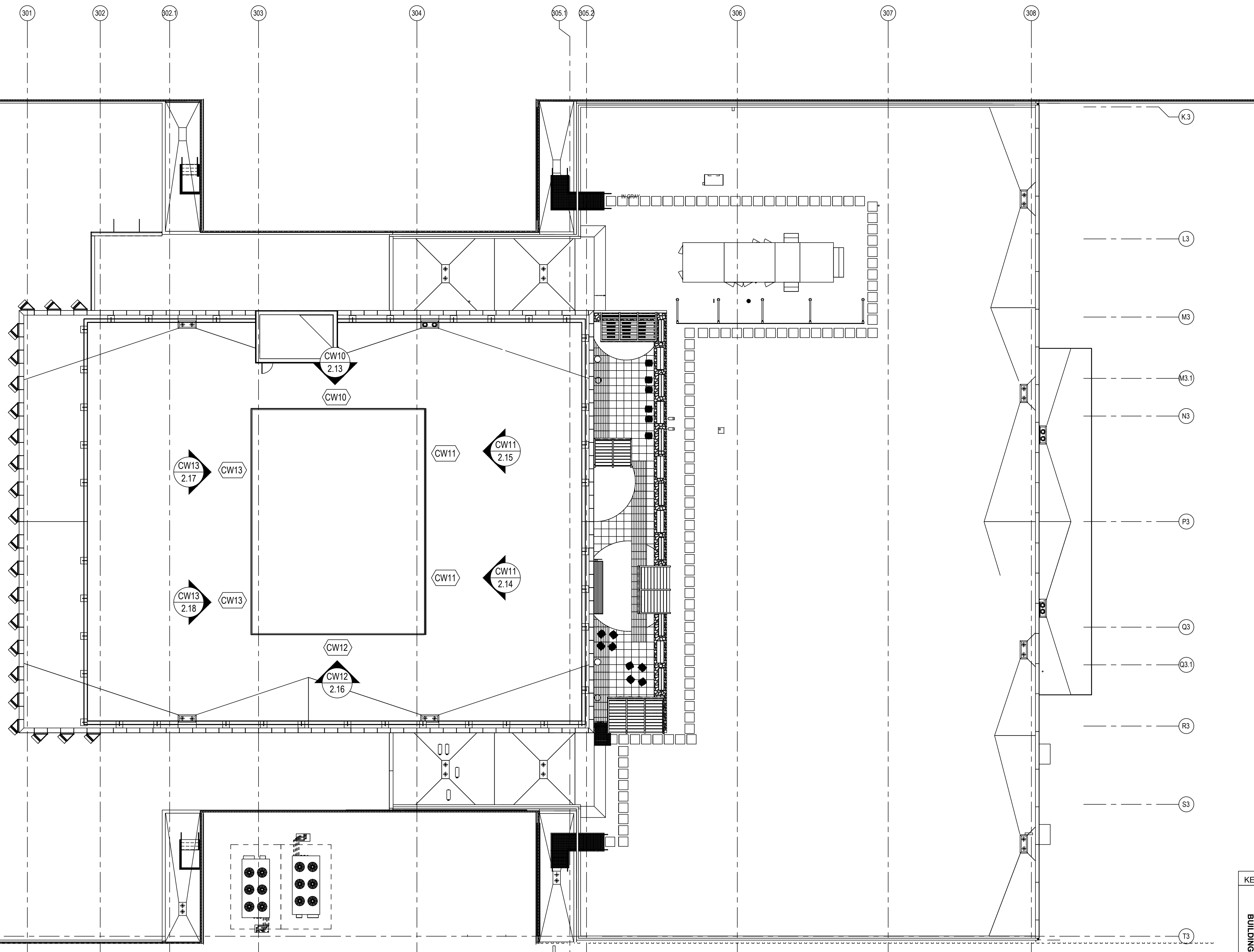
FLOOR PLANS ARE PROVIDED FOR OPENING TYPE LOCATION ONLY. REFER TO SPECIFIC MARK ELEVATIONS FOR SIZE REFERENCE DIMENSIONING, MULLION SPACING, ETC.

**FLOOR PLAN - LEVEL 2 - AREA 5F1**

NTS ARCH. REF.: A110.2-5F1



DRAWN BY: DU	DATE: 6/17/21
CHECKED BY: TH	DATE: 6/17/21
JOB NO.:	
SHEET NO.:	<b>1.03</b>



**ARCH / G.C. NOTE:**

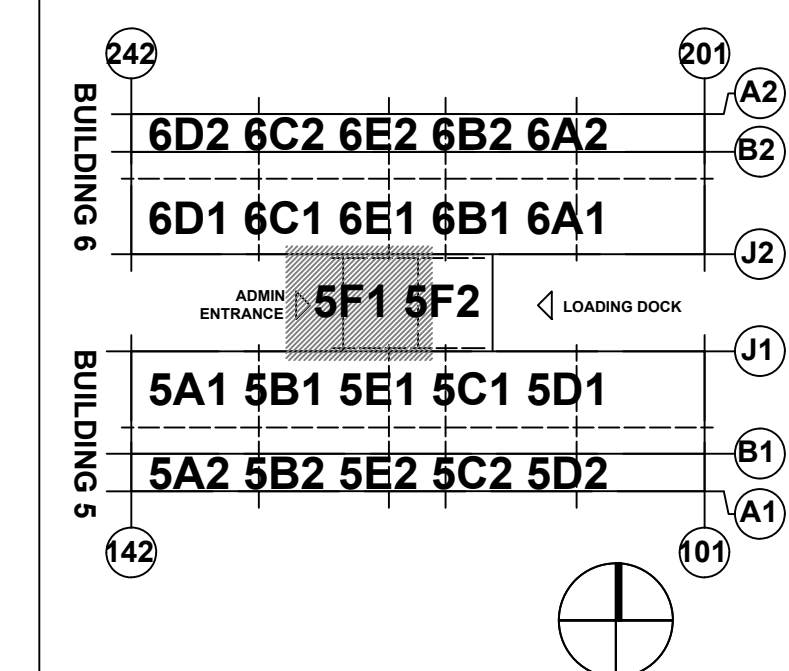
FLOOR PLANS ARE PROVIDED FOR OPENING TYPE LOCATION ONLY. REFER TO SPECIFIC MARK ELEVATIONS FOR SIZE REFERENCE DIMENSIONING, MULLION SPACING, ETC.

**ROOF PLAN OVERALL - AREA 5F1**

NTS

ARCH. REF.: A110.3-5F0

KEY PLAN



16TH REVISION BY CW	9/27/22
15TH REVISION BY CW	7/25/22
14TH REVISION BY CW	5/11/22
13TH REVISION BY CW	2/01/22
NO	DATE
DRAWING SUBMISSION	

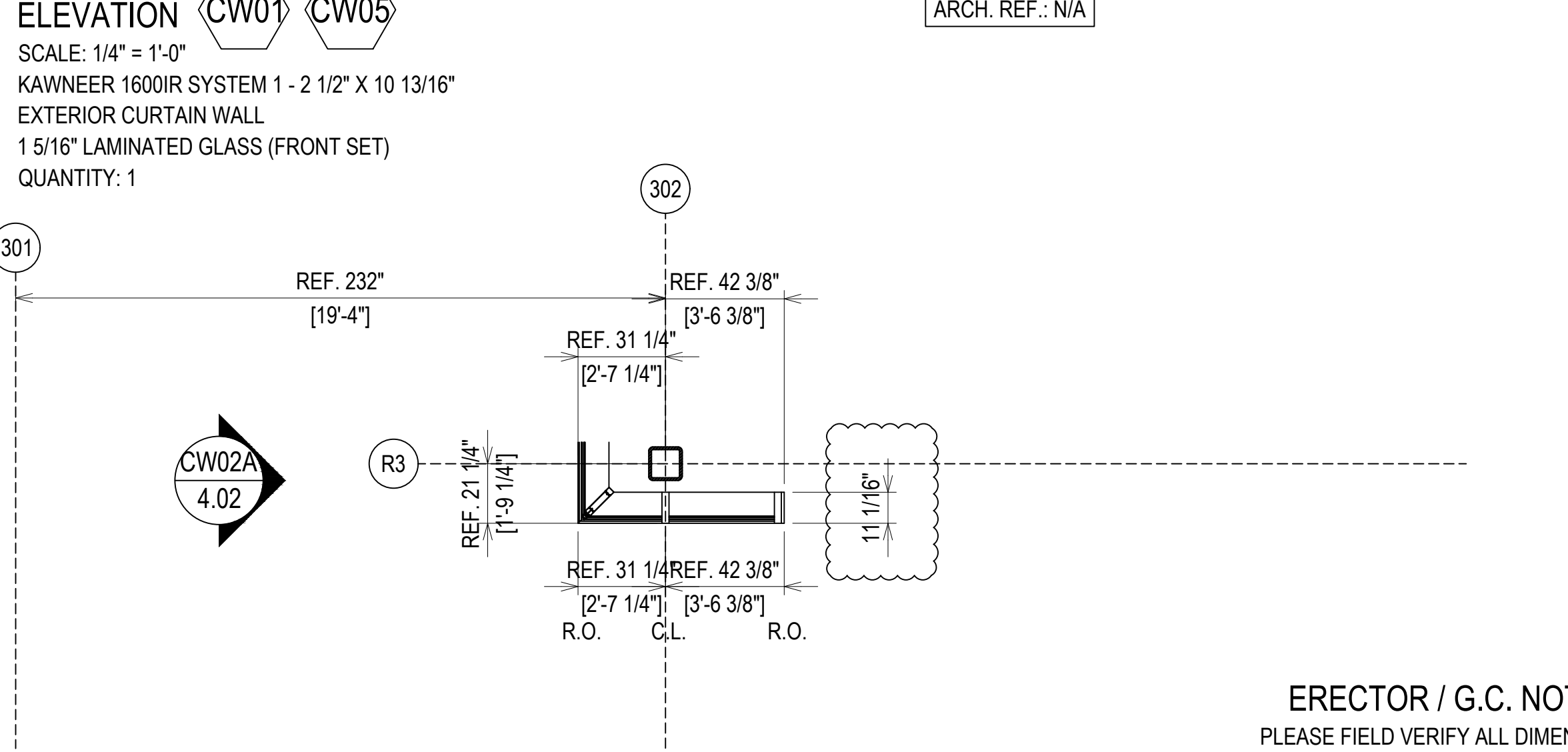
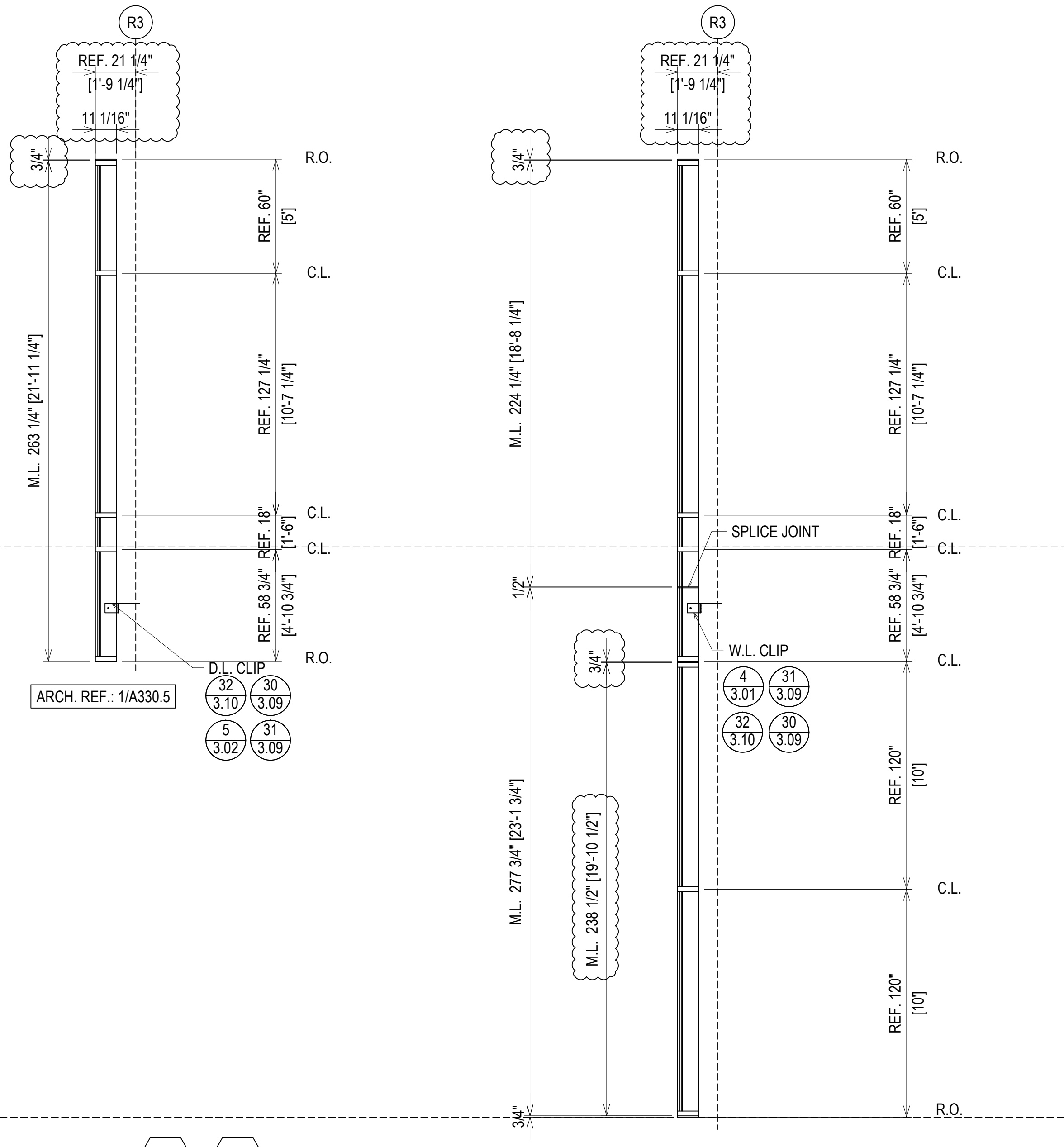
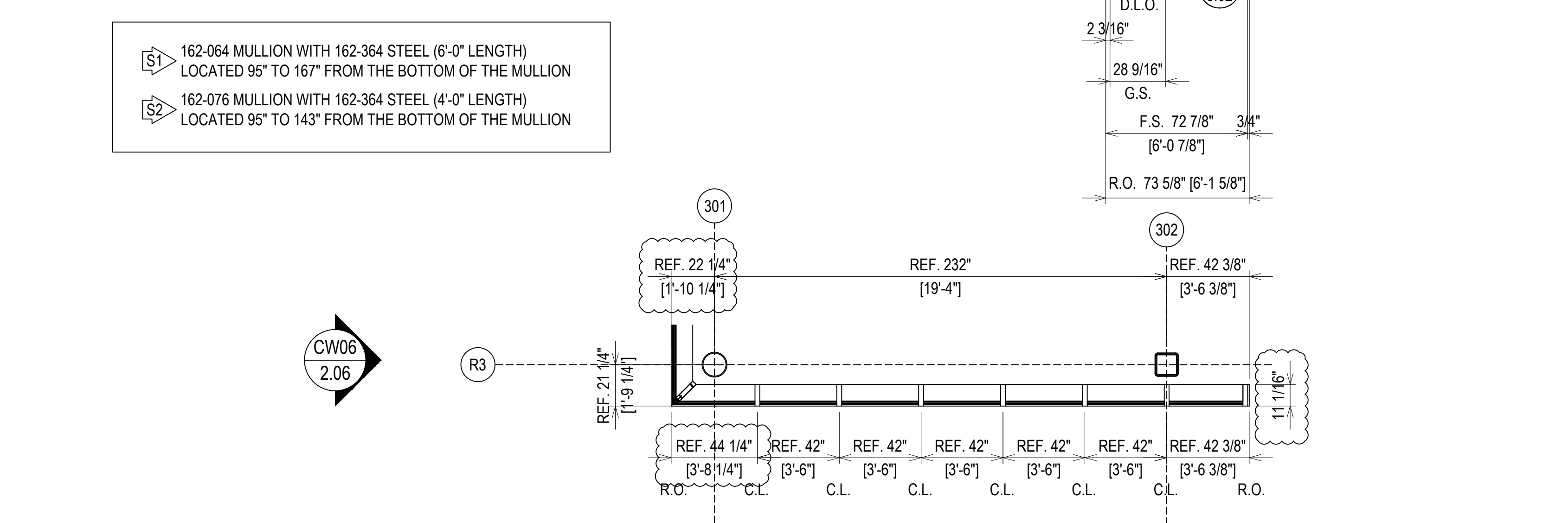
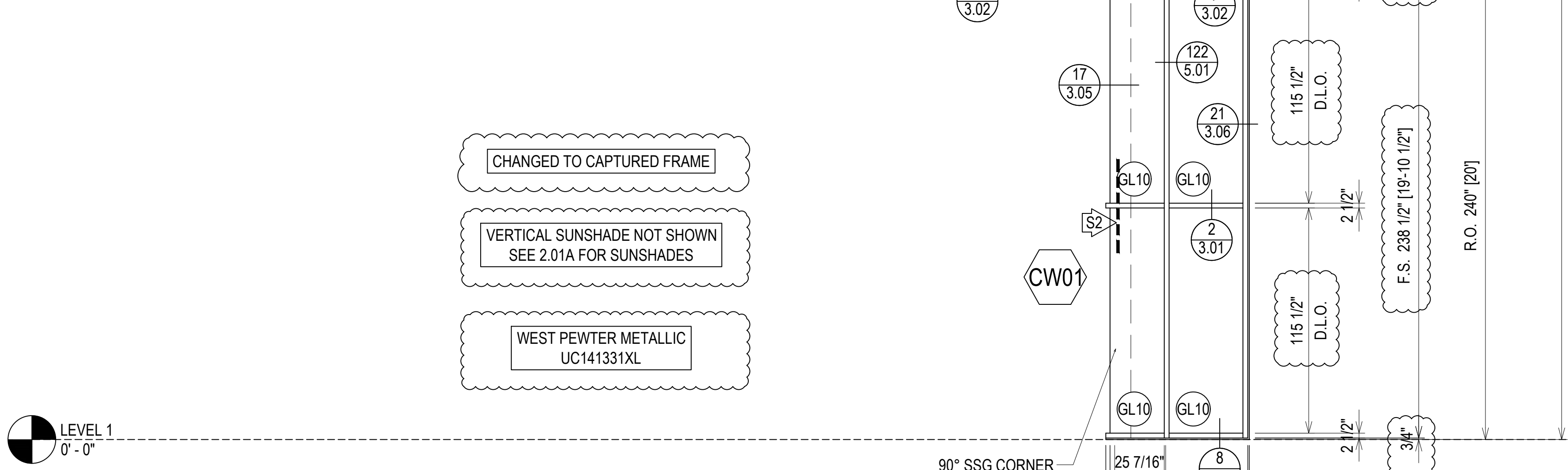
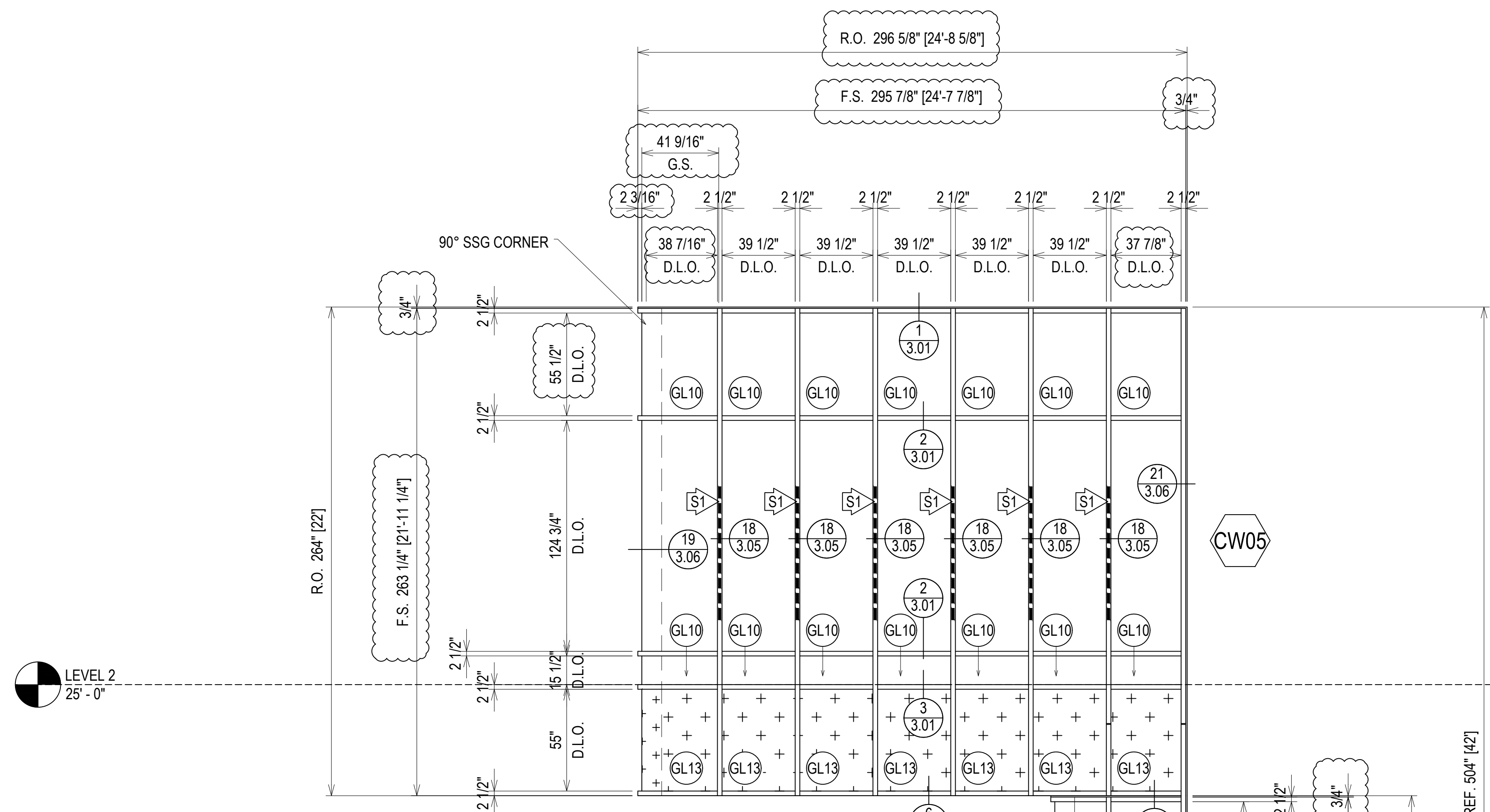
PROJECT:	NHA5/6 DATA CENTER (EXTERIOR)
LOCATION:	HUNTSVILLE, ALABAMA
ERECTOR:	1ST CHOICE GLASS

PROJECT:	NHA5/6 DATA CENTER (EXTERIOR)
LOCATION:	HUNTSVILLE, ALABAMA
ERECTOR:	1ST CHOICE GLASS



DRAWN BY:	DATE:
DJ	6/17/21
CHECKED BY:	DATE:
TH	6/17/21
JOB NO.:	

SHEET NO.: **1.04**



CHANGED TO CAPTURED FRAME

VERTICAL SUNSHADE NOT SHOWN  
SEE 2.01A FOR SUNSHADES

WEST PEWTER METALLIC  
UC141331XL

- 162-064 MULLION WITH 162-364 STEEL (6'-0" LENGTH)  
LOCATED 95" TO 167" FROM THE BOTTOM OF THE MULLION
- 162-076 MULLION WITH 162-364 STEEL (4'-0" LENGTH)  
LOCATED 95" TO 143" FROM THE BOTTOM OF THE MULLION

ELEVATION CW01 CW05

SCALE: 1/4" = 1'-0"

KAWNEER 1600IR SYSTEM 1 - 2 1/2" X 10 13/16"

EXTERIOR CURTAIN WALL

1 5/16" LAMINATED GLASS (FRONT SET)

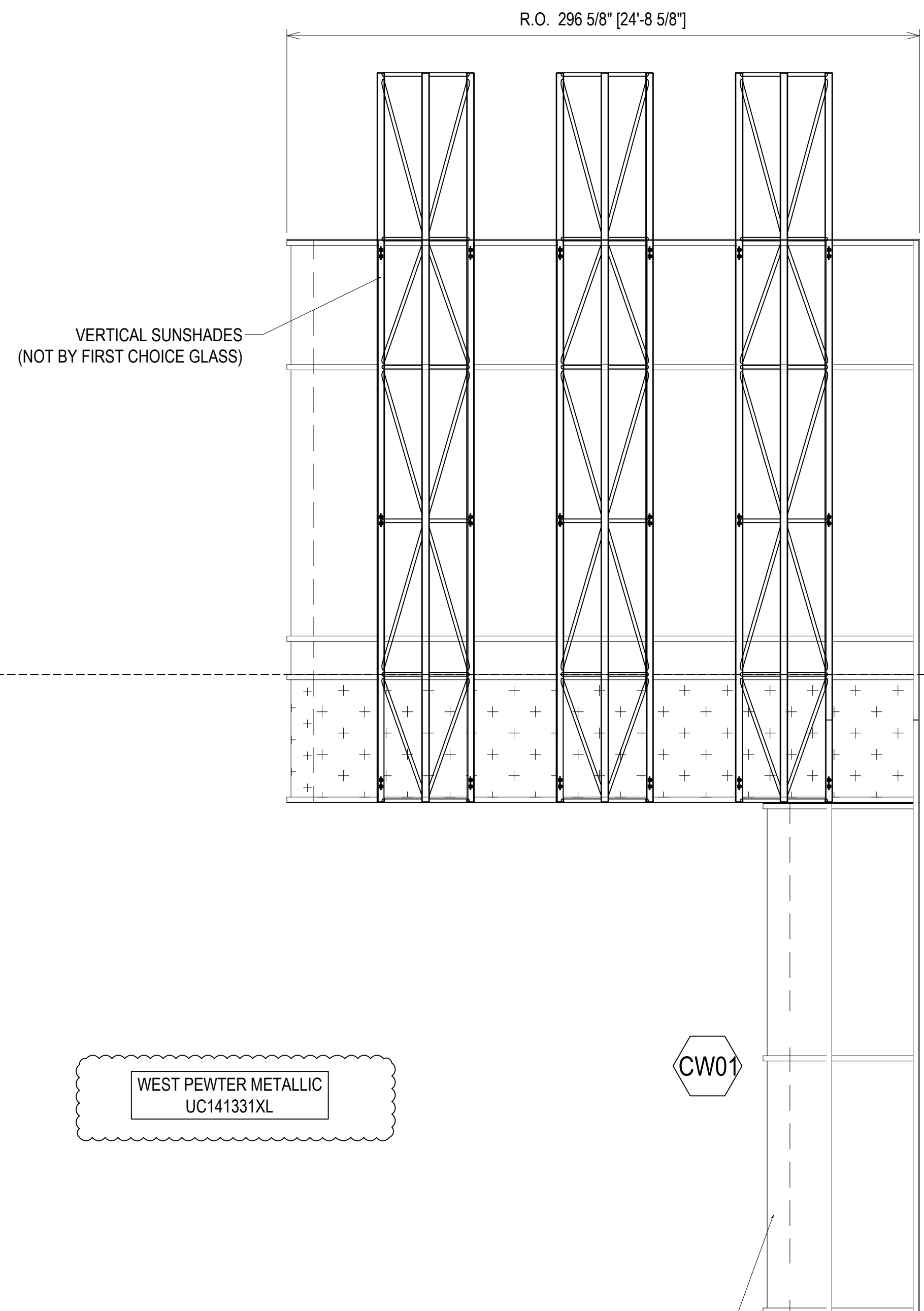
QUANTITY: 1

ERECTOR / G.C. NOTE:  
PLEASE FIELD VERIFY ALL DIMENSIONS

PROJECT:	NHA5/6 DATA CENTER (EXTERIOR)	
LOCATION:	HUNTSVILLE, ALABAMA	
ERECTOR:	1ST CHOICE GLASS	
DATE:	6/17/21	
DATE:	6/17/21	
JOB NO.:		
SHEET NO.:	2.01	
16TH REVISION BY:	CW	9/27/22
15TH REVISION BY:	CW	7/25/22
14TH REVISION BY:	CW	5/11/22
13TH REVISION BY:	CW	2/01/22
NO	DESCRIPTION	DATE
DRAWING SUBMISSION		

LEVEL 2  
25'-0"

LEVEL 1  
0'-0"

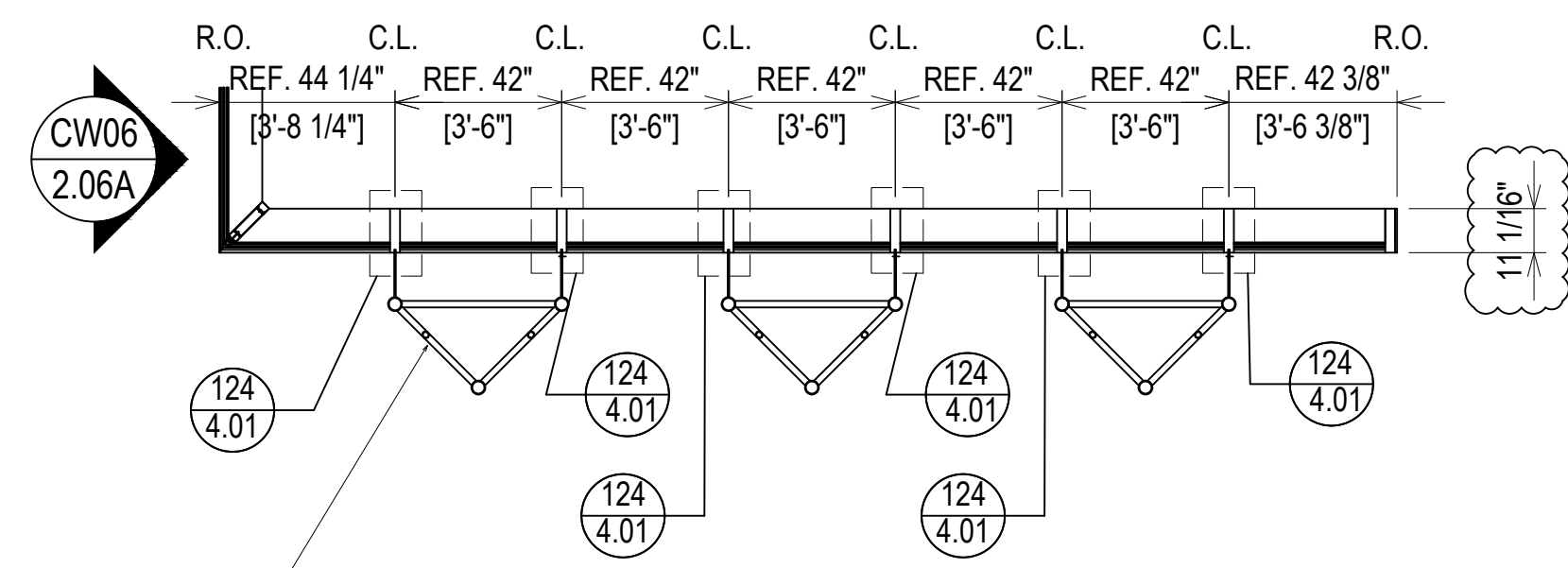


CW05

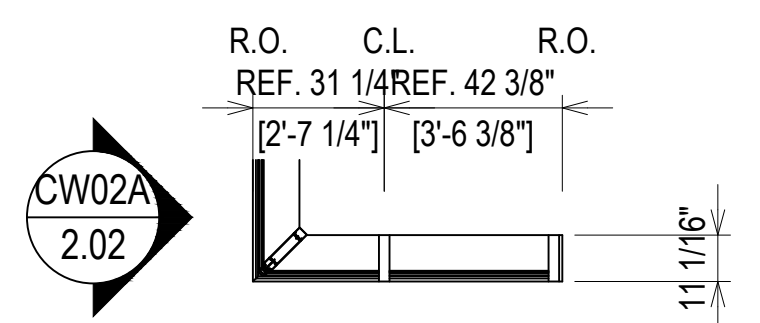
WEST PEWTER METALLIC  
UC141331XL

CW01

90° SSG CORNER



VERTICAL SUNSHADES  
(NOT BY FIRST CHOICE GLASS)



CW02A  
2.02

VERTICAL SUNSHADES  
(NOT BY FIRST CHOICE GLASS)

VERTICAL SUNSHADES  
(NOT BY FIRST CHOICE GLASS)

THE ANCHOR CLIPS DESIGN WILL BE DETERMINED DURING ENGINEERING REVIEW. SIZE, TYPE, LOCATION AND FREQUENCY WILL BE UNDER REVIEW. STEEL REINFORCING MAY ALSO BE REQUIRED INSIDE THE CURTAINWALL MULLION TO SUPPORT THE VERTICAL SUNSHADES.

ELEVATION CW01 CW05  
SCALE: 1/4" = 1'-0"  
KAWNEER 1600IR SYSTEM 1 - 2 1/2" X 10 13/16"  
EXTERIOR CURTAIN WALL  
1 5/16" LAMINATED GLASS (FRONT SET)  
QUANTITY: 1

16TH REVISION BY CW	9/27/22
15TH REVISION BY CW	7/25/22
14TH REVISION BY CW	5/11/22
13TH REVISION BY CW	2/01/22
NO	DATE
DRAWING SUBMISSION	

PROJECT: NHA5/6 DATA CENTER (EXTERIOR)  
LOCATION: HUNTSVILLE, ALABAMA  
ERECTOR: 1ST CHOICE GLASS

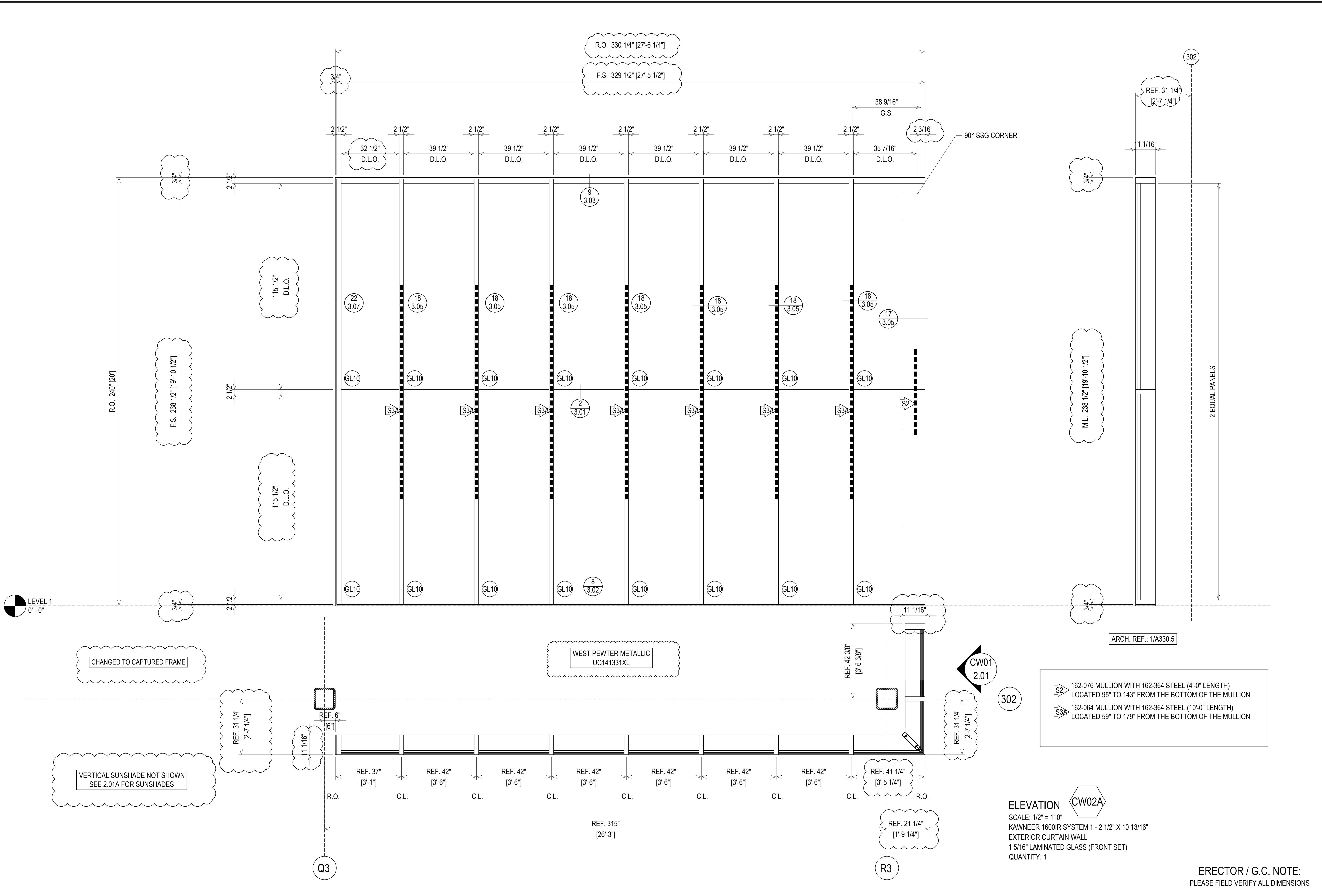


DRAWN BY: DU DATE: 6/17/21  
CHECKED BY: TH DATE: 6/17/21  
JOB NO.:

ERECTOR / G.C. NOTE:  
PLEASE FIELD VERIFY ALL DIMENSIONS

SHEET NO.: 2.01A





S2 162-076 MULLION WITH 162-364 STEEL (4'-0\"/>

**ELEVATION CW02A**  
 SCALE: 1/2\"/>

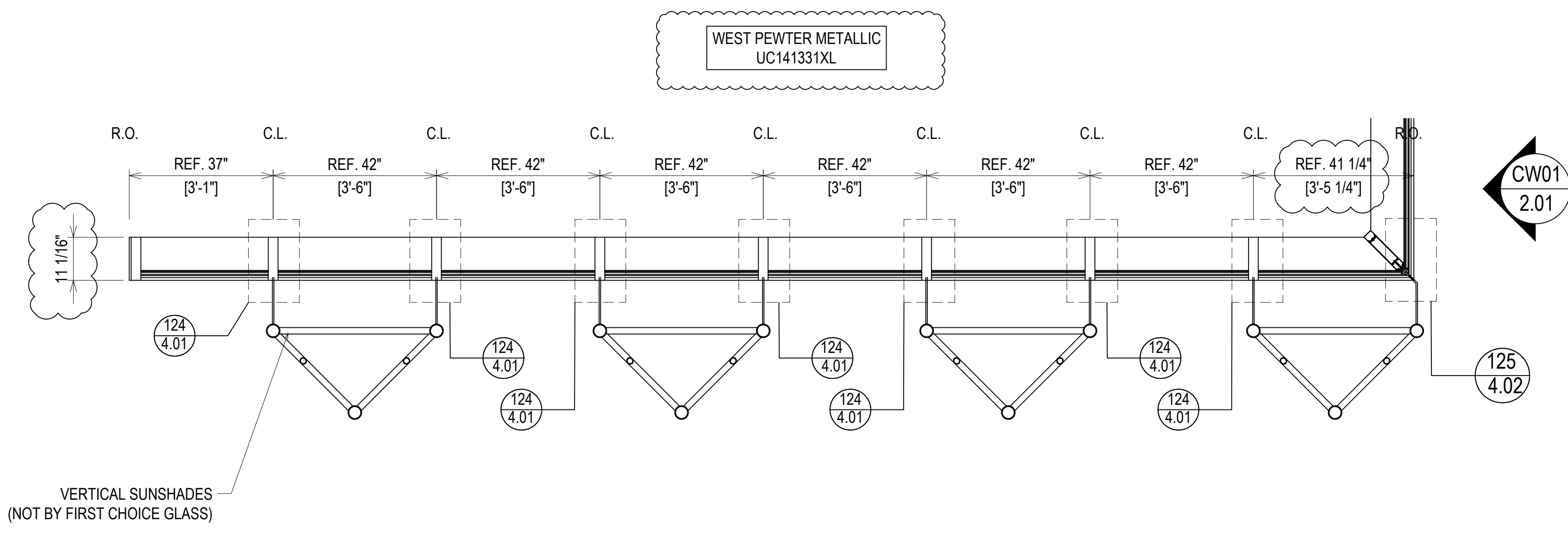
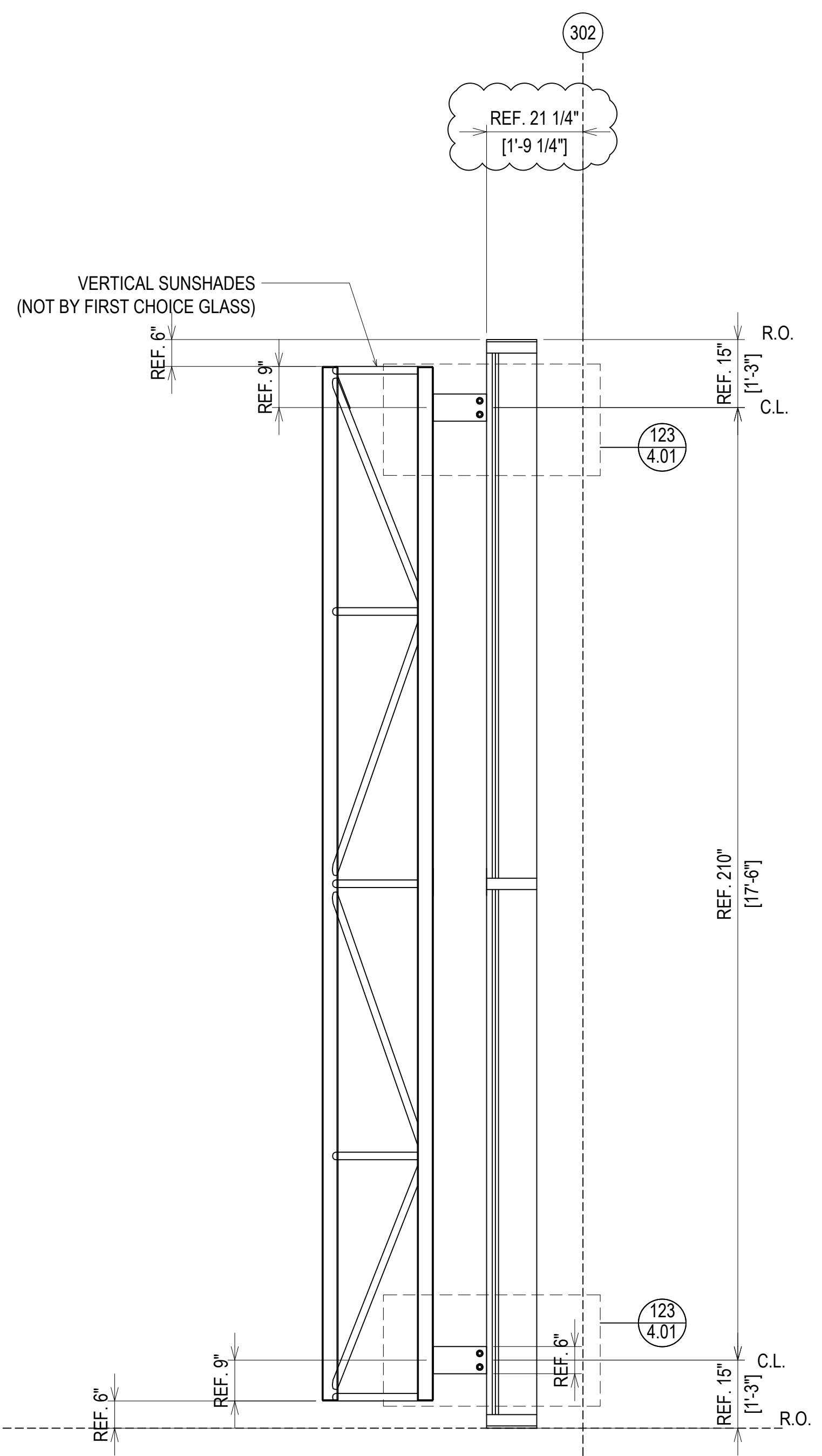
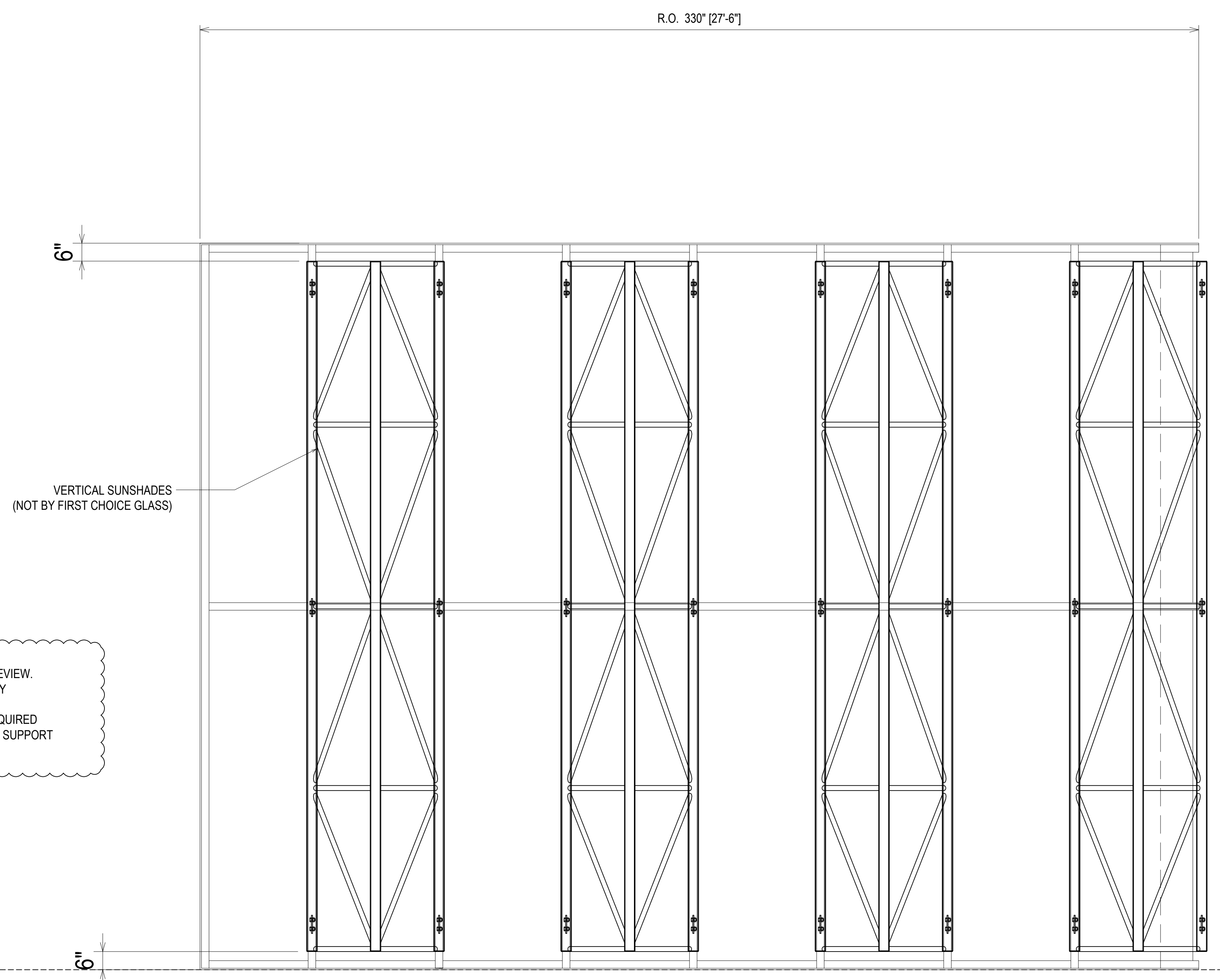
**ERECTOR / G.C. NOTE:**  
 PLEASE FIELD VERIFY ALL DIMENSIONS

PROJECT:	NHA5/6 DATA CENTER (EXTERIOR)
LOCATION:	HUNTSVILLE, ALABAMA
ERECTOR:	1ST CHOICE GLASS
DATE:	6/17/21
SCALE:	1/2\"/>
QUANTITY:	1
SHEET NO.:	<b>2.02</b>

16TH REVISION BY	CW	9/27/22
15TH REVISION BY	CW	7/25/22
14TH REVISION BY	CW	5/11/22
13TH REVISION BY	CW	2/01/22
NO	DESCRIPTION	DATE
DRAWING SUBMISSION		



THE ANCHOR CLIPS DESIGN WILL BE DETERMINED DURING ENGINEERING REVIEW. SIZE, TYPE, LOCATION AND FREQUENCY WILL BE UNDER REVIEW. STEEL REINFORCING MAY ALSO BE REQUIRED INSIDE THE CURTAINWALL MULLION TO SUPPORT THE VERTICAL SUNSHADES.



**ELEVATION CW02A**  
 SCALE: 1/2" = 1'-0"  
 KAWNEER 1600IR SYSTEM 1 - 2 1/2" X 10 13/16"  
 EXTERIOR CURTAIN WALL  
 1 5/16" LAMINATED GLASS (FRONT SET)  
 QUANTITY: 1

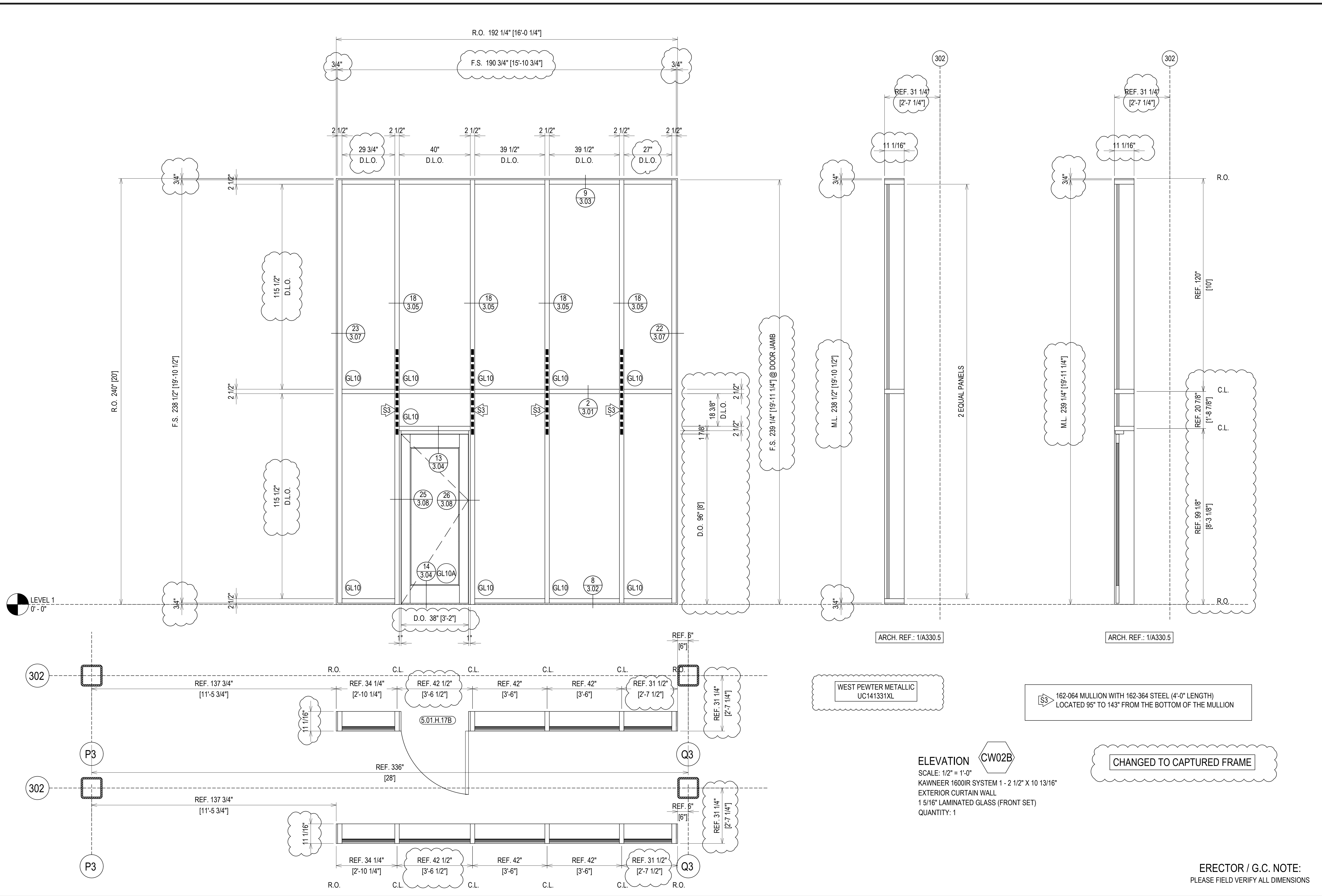
ERECTOR / G.C. NOTE:  
 PLEASE FIELD VERIFY ALL DIMENSIONS

PROJECT:	NHA5/6 DATA CENTER (EXTERIOR)
LOCATION:	HUNTSVILLE, ALABAMA
ERECTOR:	1ST CHOICE GLASS
DATE:	6/17/21
CHECKED BY:	TH
JOB NO.:	
SHEET NO.:	2.02A

16TH REVISION BY CW	9/27/22
15TH REVISION BY CW	7/25/22
14TH REVISION BY CW	5/11/22
13TH REVISION BY CW	2/01/22
NO	DATE
DESCRIPTION	
DRAWING SUBMISSION	

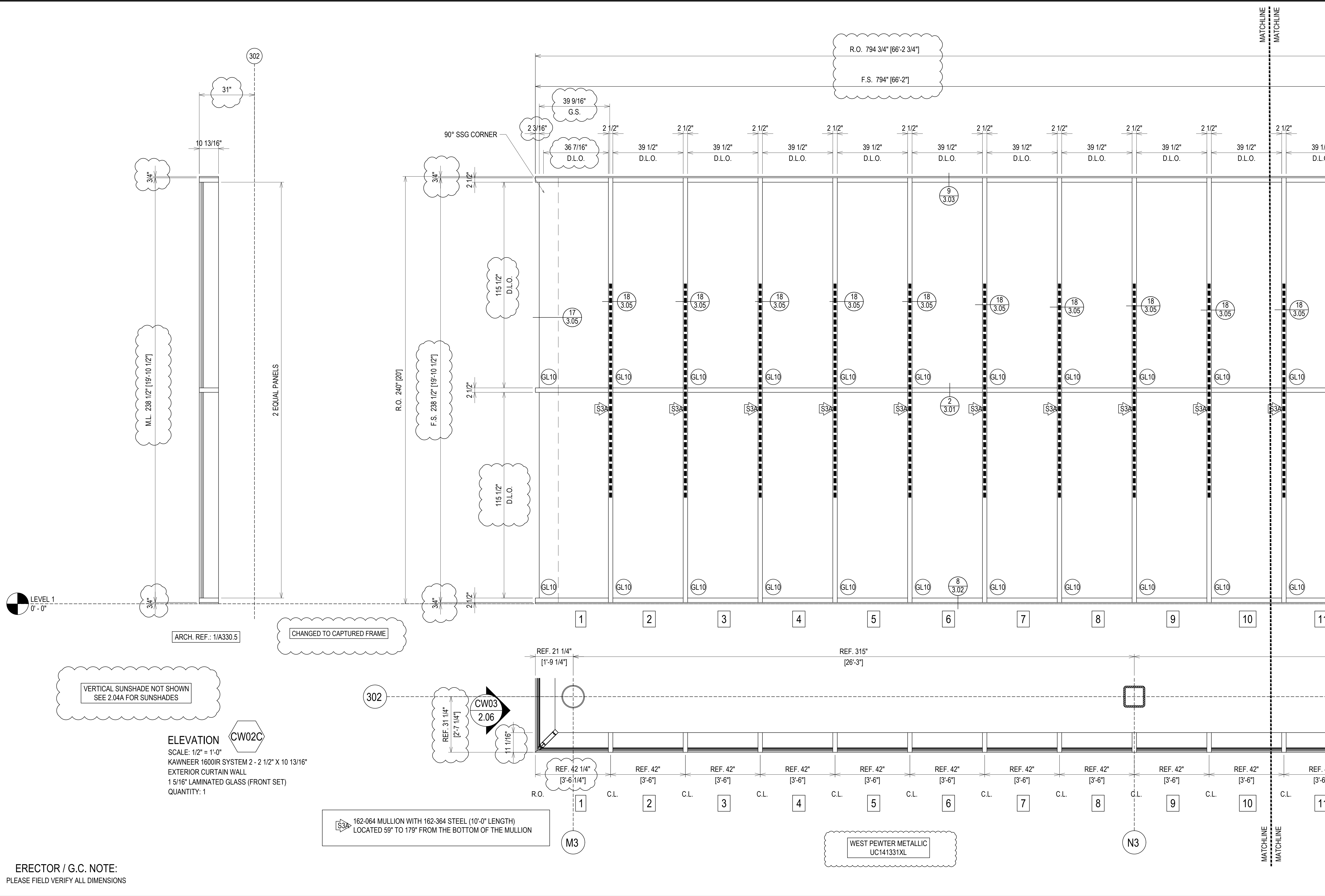




PROJECT:	NHA5/6 DATA CENTER (EXTERIOR)
LOCATION:	HUNTSVILLE, ALABAMA
ERECTOR:	1ST CHOICE GLASS
DATE:	6/17/21
CHECKED BY:	TH
JOB NO.:	
SHEET NO.:	2.03

16TH REVISION BY	CW	9/27/22
15TH REVISION BY	CW	7/25/22
14TH REVISION BY	CW	5/11/22
13TH REVISION BY	CW	2/01/22
NO	DESCRIPTION	DATE
	DRAWING SUBMISSION	



VERTICAL SUNSHADE NOT SHOWN  
SEE 2.04A FOR SUNSHADES

**ELEVATION** CW02C  
SCALE: 1/2" = 1'-0"  
KAWNEER 1600IR SYSTEM 2 - 2 1/2" X 10 13/16"  
EXTERIOR CURTAIN WALL  
1 5/16" LAMINATED GLASS (FRONT SET)  
QUANTITY: 1

162-064 MULLION WITH 162-364 STEEL (10'-0" LENGTH)  
LOCATED 59" TO 179" FROM THE BOTTOM OF THE MULLION

WEST PEWTER METALLIC  
UC141331XL

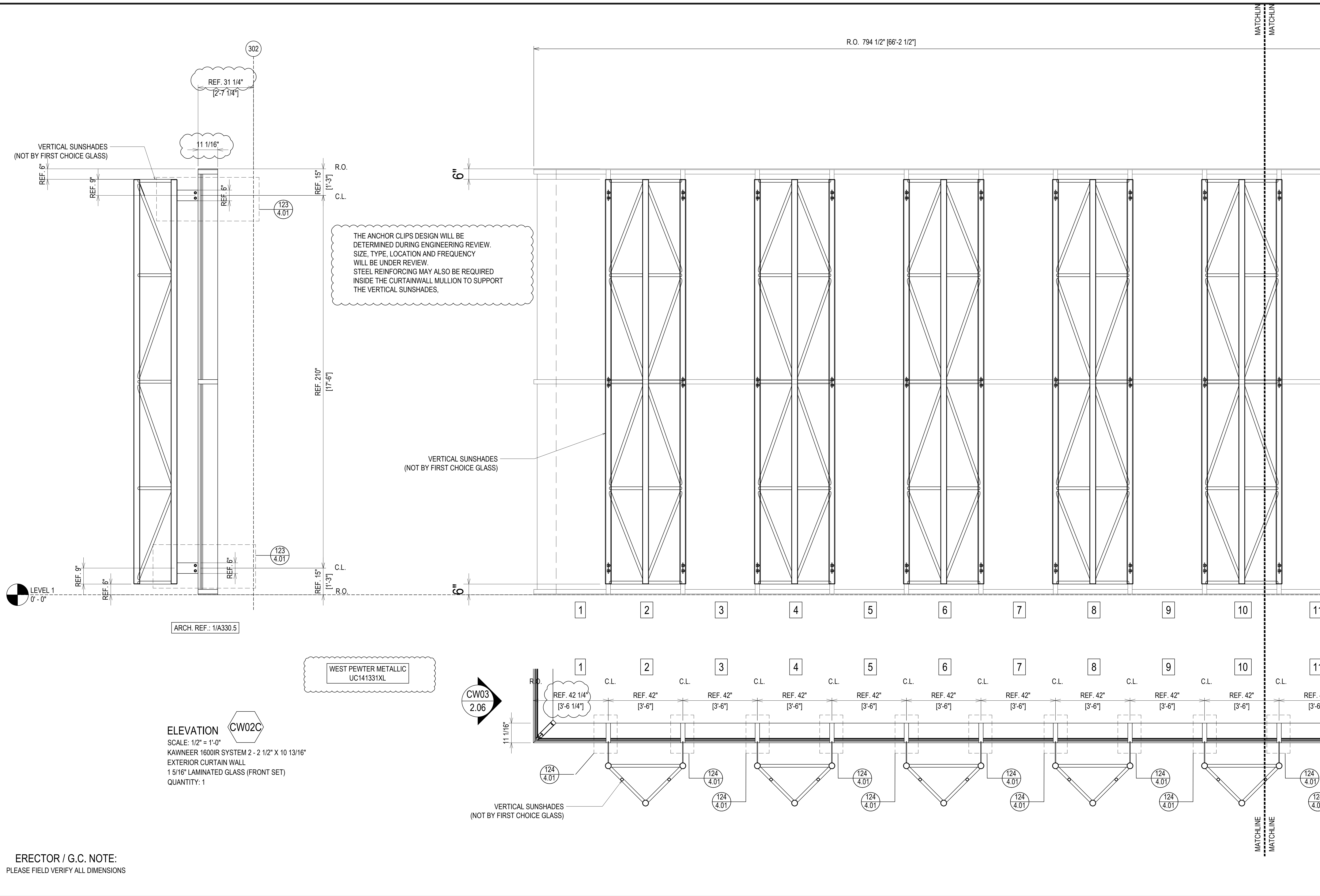
ERECTOR / G.C. NOTE:  
PLEASE FIELD VERIFY ALL DIMENSIONS

PROJECT:	NHA5/6 DATA CENTER (EXTERIOR)
LOCATION:	HUNTSVILLE, ALABAMA
ERECTOR:	1ST CHOICE GLASS
DATE:	6/17/21
CHECKED BY:	TH
DATE:	6/17/21
JOB NO.:	
SHEET NO.:	2.04

NO	DESCRIPTION	DATE
16TH	REVISION BY CW	9/27/22
15TH	REVISION BY CW	7/25/22
14TH	REVISION BY CW	5/11/22
13TH	REVISION BY CW	2/01/22





THE ANCHOR CLIPS DESIGN WILL BE DETERMINED DURING ENGINEERING REVIEW. SIZE, TYPE, LOCATION AND FREQUENCY WILL BE UNDER REVIEW. STEEL REINFORCING MAY ALSO BE REQUIRED INSIDE THE CURTAINWALL MULLION TO SUPPORT THE VERTICAL SUNSHADES.

WEST PEWTER METALLIC UC141331XL

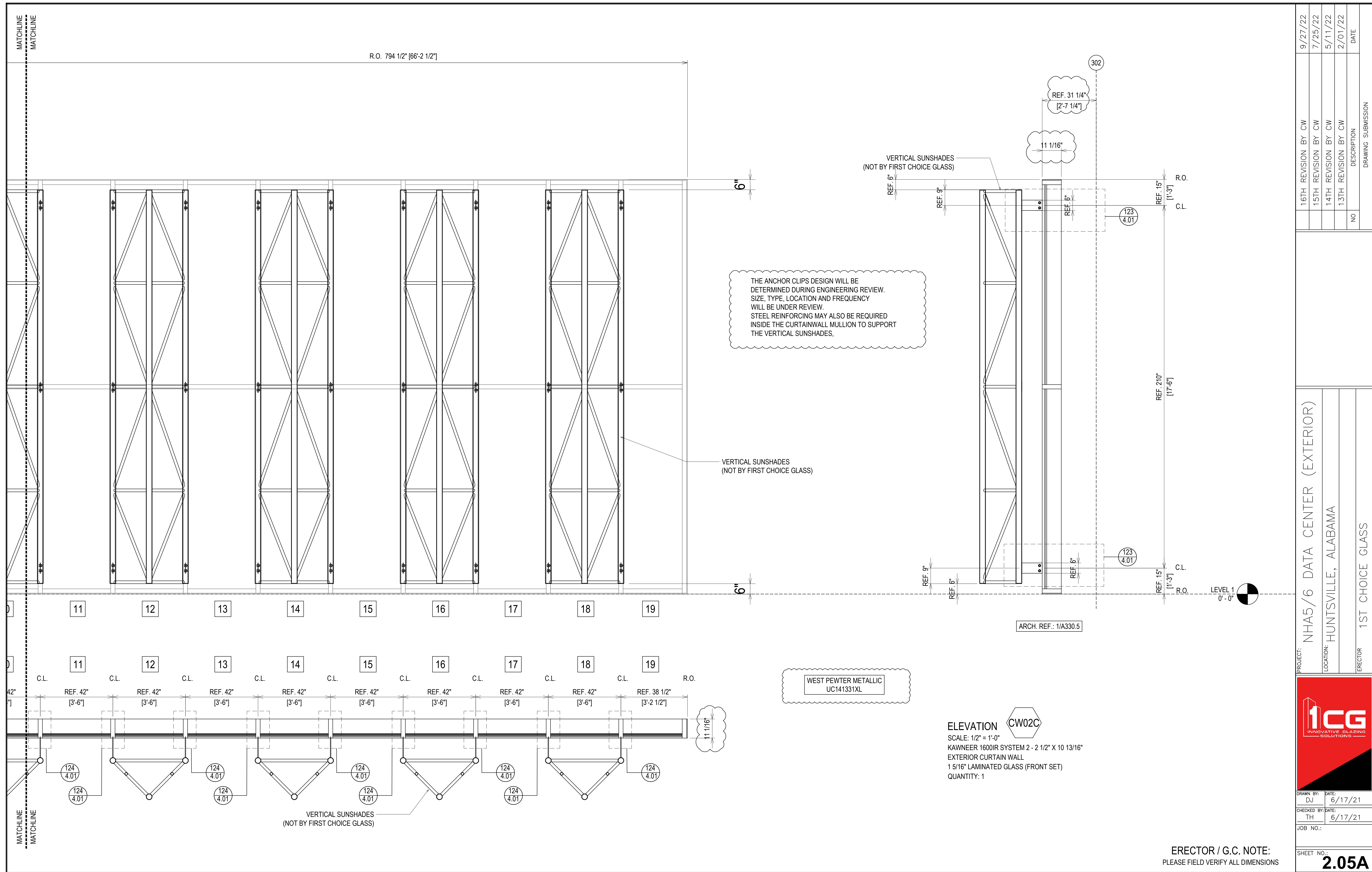
ELEVATION CW02C  
 SCALE: 1/2" = 1'-0"  
 KAWNEER 1600IR SYSTEM 2 - 2 1/2" X 10 13/16"  
 EXTERIOR CURTAIN WALL  
 1 5/16" LAMINATED GLASS (FRONT SET)  
 QUANTITY: 1

ERECTOR / G.C. NOTE:  
 PLEASE FIELD VERIFY ALL DIMENSIONS

PROJECT:	NHA5/6 DATA CENTER (EXTERIOR)
LOCATION:	HUNTSVILLE, ALABAMA
ERECTOR:	1ST CHOICE GLASS
DATE:	6/17/21
CHECKED BY:	TH
JOB NO.:	
SHEET NO.:	2.04A

16TH REVISION BY	CW	9/27/22
15TH REVISION BY	CW	7/25/22
14TH REVISION BY	CW	5/11/22
13TH REVISION BY	CW	2/01/22
NO		
DESCRIPTION		DATE
DRAWING SUBMISSION		



16TH REVISION BY CW	9/27/22
15TH REVISION BY CW	7/25/22
14TH REVISION BY CW	5/11/22
13TH REVISION BY CW	2/01/22
NO	DATE
DESCRIPTION	
DRAWING SUBMISSION	

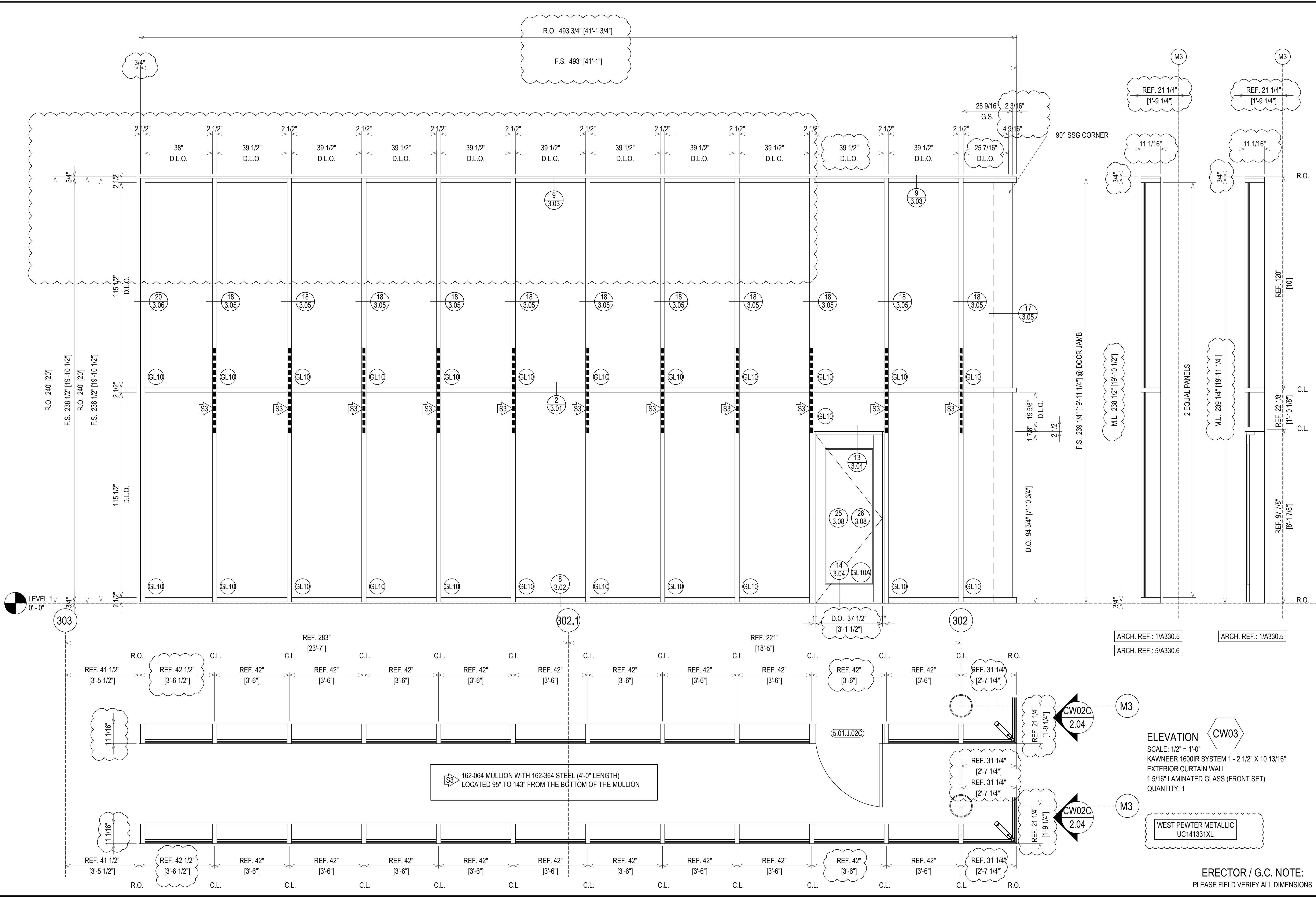
PROJECT: NHA5/6 DATA CENTER (EXTERIOR)  
 LOCATION: HUNTSVILLE, ALABAMA  
 ERECTOR: 1ST CHOICE GLASS

DRAWN BY:	DATE:
DJ	6/17/21
CHECKED BY:	DATE:
TH	6/17/21
JOB NO.:	
SHEET NO.:	



ERECTOR / G.C. NOTE:  
 PLEASE FIELD VERIFY ALL DIMENSIONS

**2.05A**



NO	DESCRIPTION	DATE
16TH	REVISION BY CW	9/27/22
15TH	REVISION BY CW	7/25/22
14TH	REVISION BY CW	5/11/22
13TH	REVISION BY CW	2/01/22

PROJECT: NHA5/6 DATA CENTER (EXTERIOR)  
 LOCATION: HUNTSVILLE, ALABAMA  
 ERECTOR: 1ST CHOICE GLASS

ARCH. REF.: 1/A330.5  
 ARCH. REF.: 5/A330.6



DRAWN BY: DU	DATE: 6/17/21
CHECKED BY: TH	DATE: 6/17/21
JOB NO.:	
SHEET NO.:	2.06

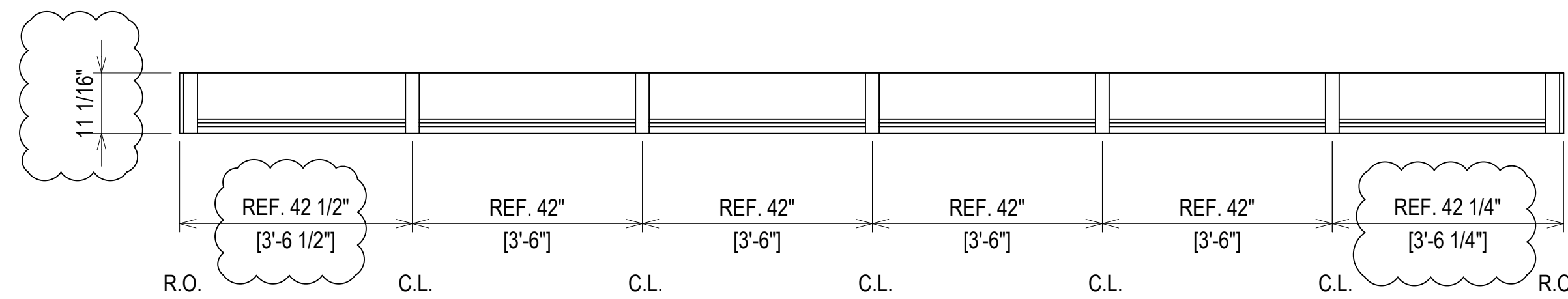
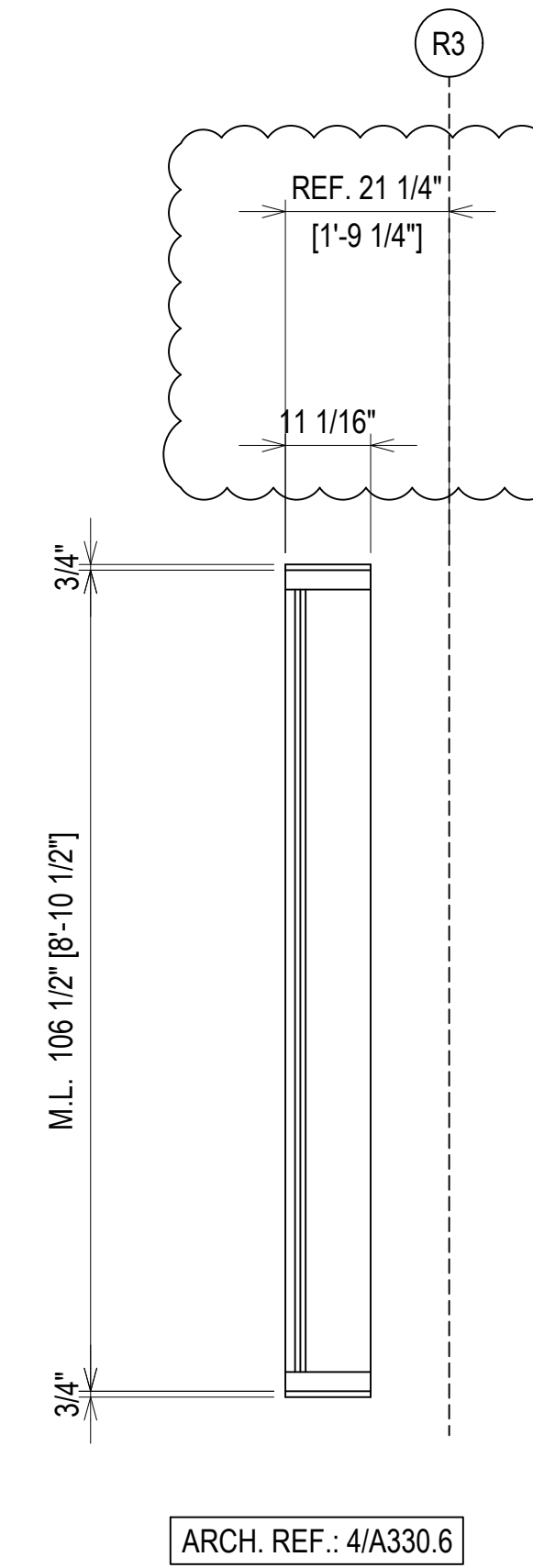
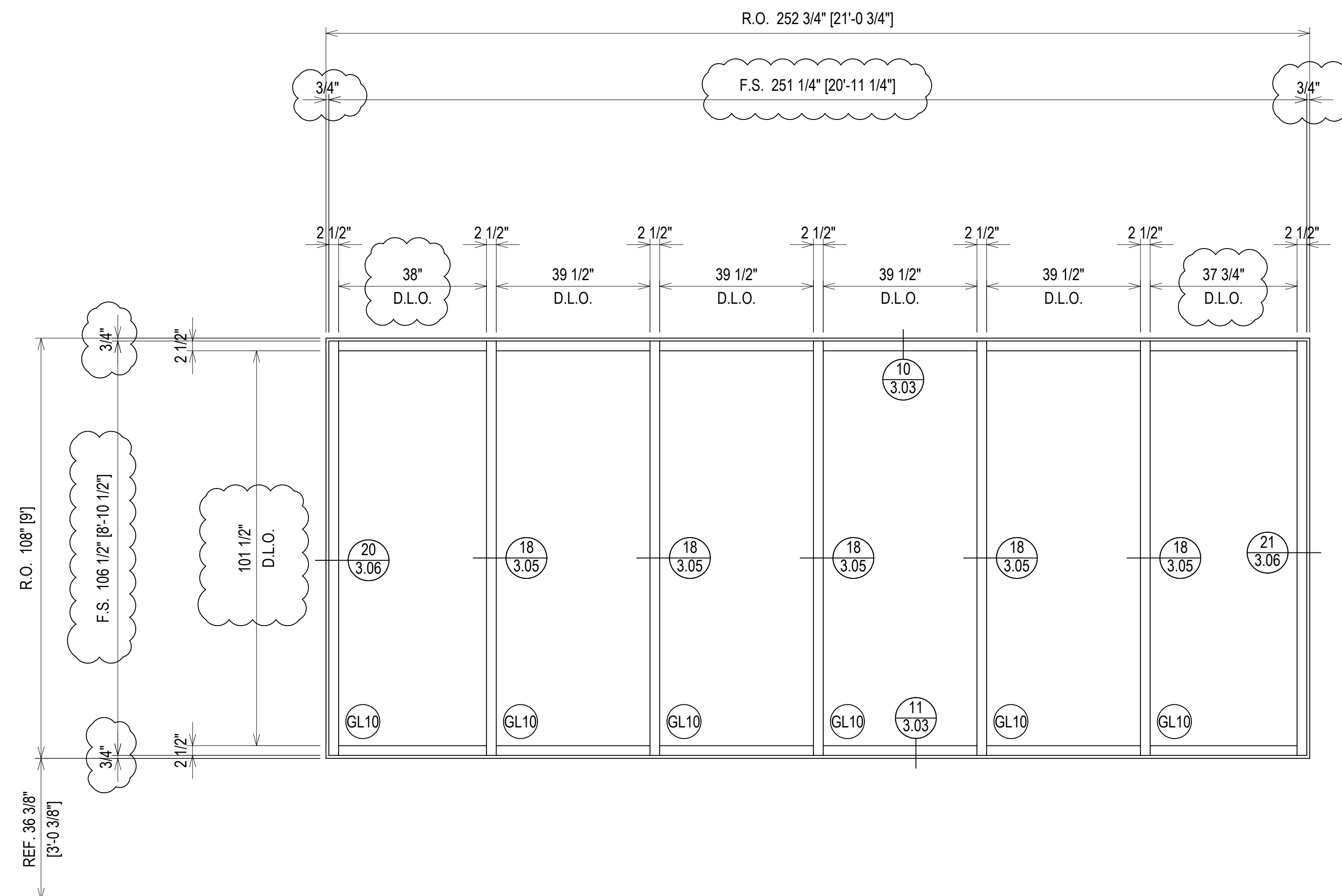
**ELEVATION CW03**  
 SCALE: 1/2" = 1'-0"  
 KAWNEER 1600IR SYSTEM 1 - 2 1/2" X 10 13/16"  
 EXTERIOR CURTAIN WALL  
 1 5/16" LAMINATED GLASS (FRONT SET)  
 QUANTITY: 1

WEST PEWTER METALLIC UC141331XL

**ERECTOR / G.C. NOTE:**  
 PLEASE FIELD VERIFY ALL DIMENSIONS



LEVEL 2  
25'-0"



WEST PEWTER METALLIC  
UC141331XL

ELEVATION **CW04**  
SCALE: 1/2" = 1'-0"  
KAWNEER 1600IR SYSTEM 1 - 2 1/2" X 10 13/16"  
EXTERIOR CURTAIN WALL  
1 5/16" LAMINATED GLASS (FRONT SET)  
QUANTITY: 1

ERECTOR / G.C. NOTE:  
PLEASE FIELD VERIFY ALL DIMENSIONS

PROJECT:	NHA5/6 DATA CENTER (EXTERIOR)		
LOCATION:	HUNTSVILLE, ALABAMA		
ERECTOR:	1ST CHOICE GLASS		
16TH REVISION BY:	CW	DATE:	9/27/22
15TH REVISION BY:	CW	DATE:	7/25/22
14TH REVISION BY:	CW	DATE:	5/11/22
13TH REVISION BY:	CW	DATE:	2/01/22
NO.		DESCRIPTION	
			DRAWING SUBMISSION



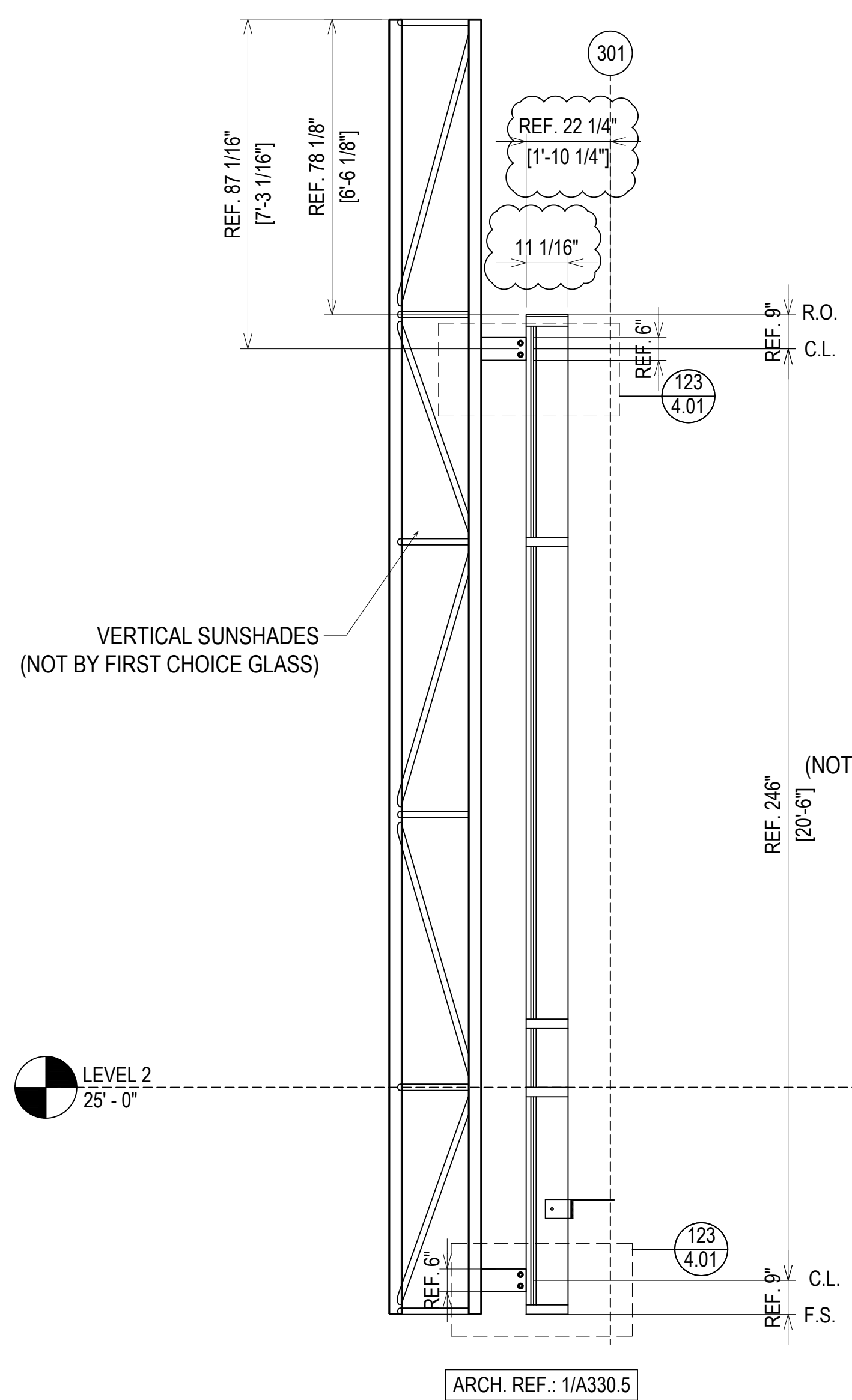
DRAWN BY:	DJ	DATE:	6/17/21
CHECKED BY:	TH	DATE:	6/17/21
JOB NO.:			
SHEET NO.:	<b>2.07</b>		



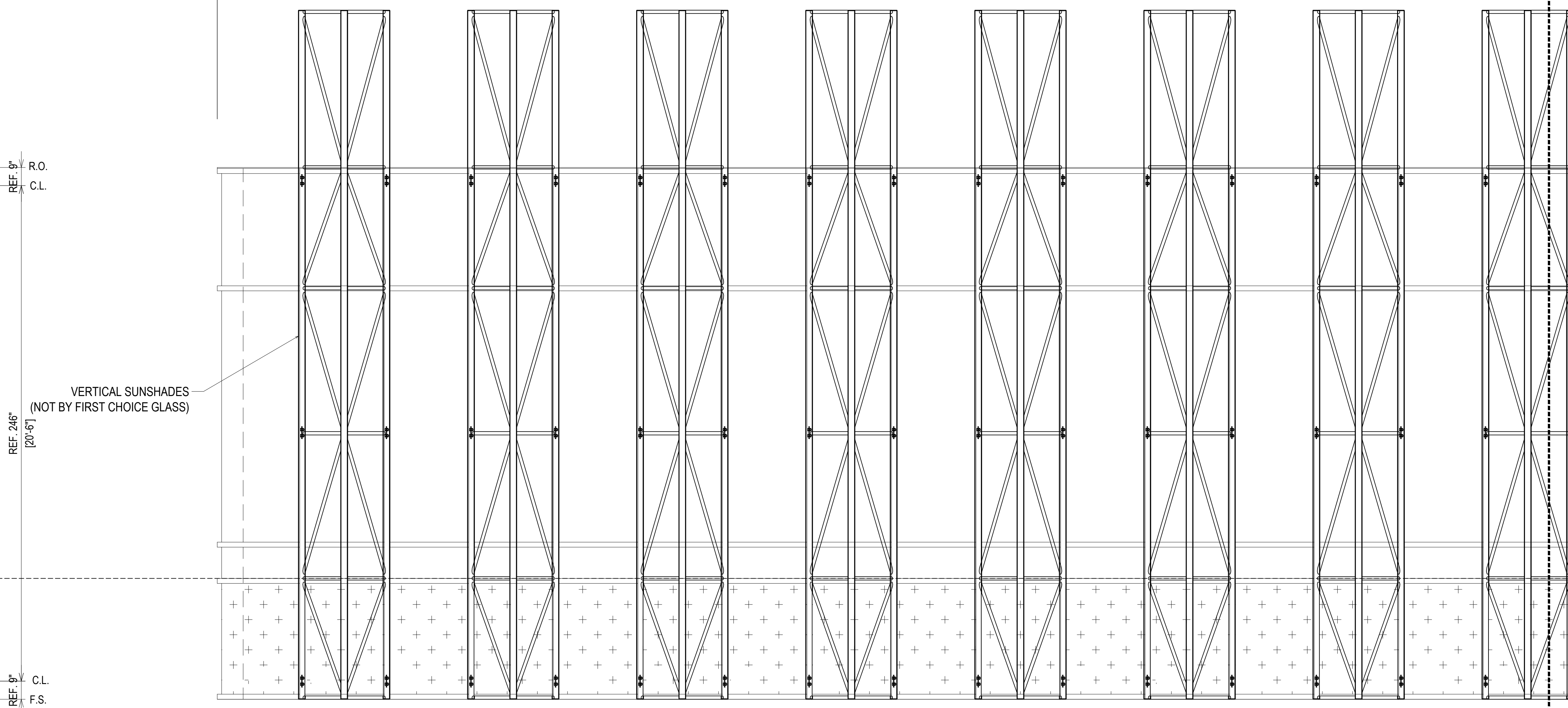


THE ANCHOR CLIPS DESIGN WILL BE DETERMINED DURING ENGINEERING REVIEW. SIZE, TYPE, LOCATION AND FREQUENCY WILL BE UNDER REVIEW. STEEL REINFORCING MAY ALSO BE REQUIRED INSIDE THE CURTAINWALL MULLION TO SUPPORT THE VERTICAL SUNSHADES.

R.O. - F.S. 1344 1/4" [112'-0 1/4"]

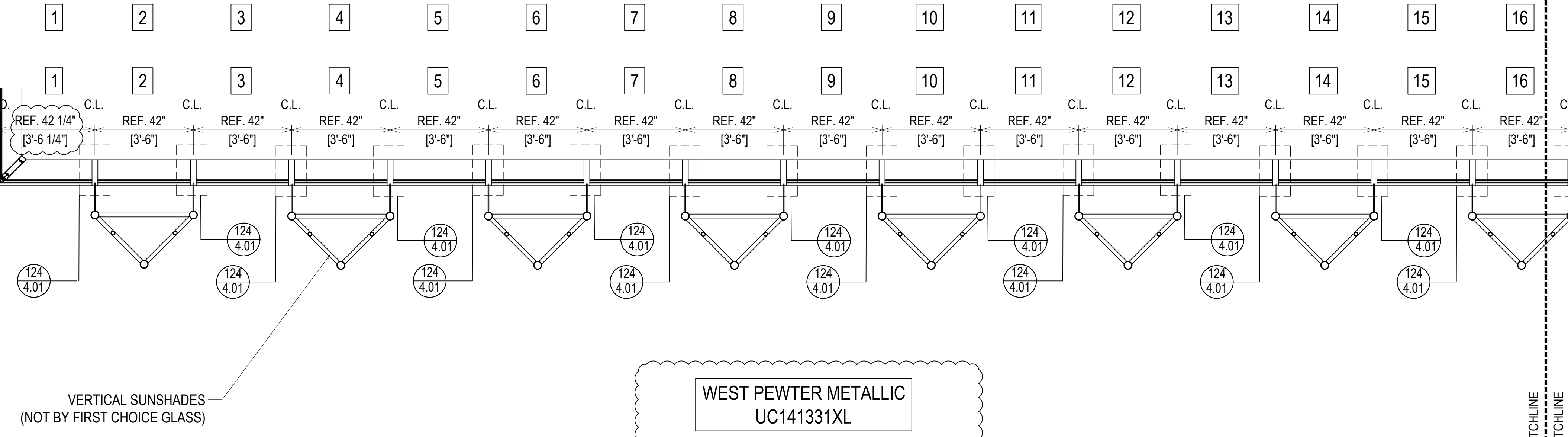


LEVEL 2  
25'-0"



**ELEVATION** CW06  
SCALE: 3/8" = 1'-0"  
KAWNEER 1600IR SYSTEM 2 - 2 1/2" X 10 13/16"  
EXTERIOR CURTAIN WALL  
1 5/16" LAMINATED GLASS (FRONT SET)  
QUANTITY: 1

CW07  
2.07



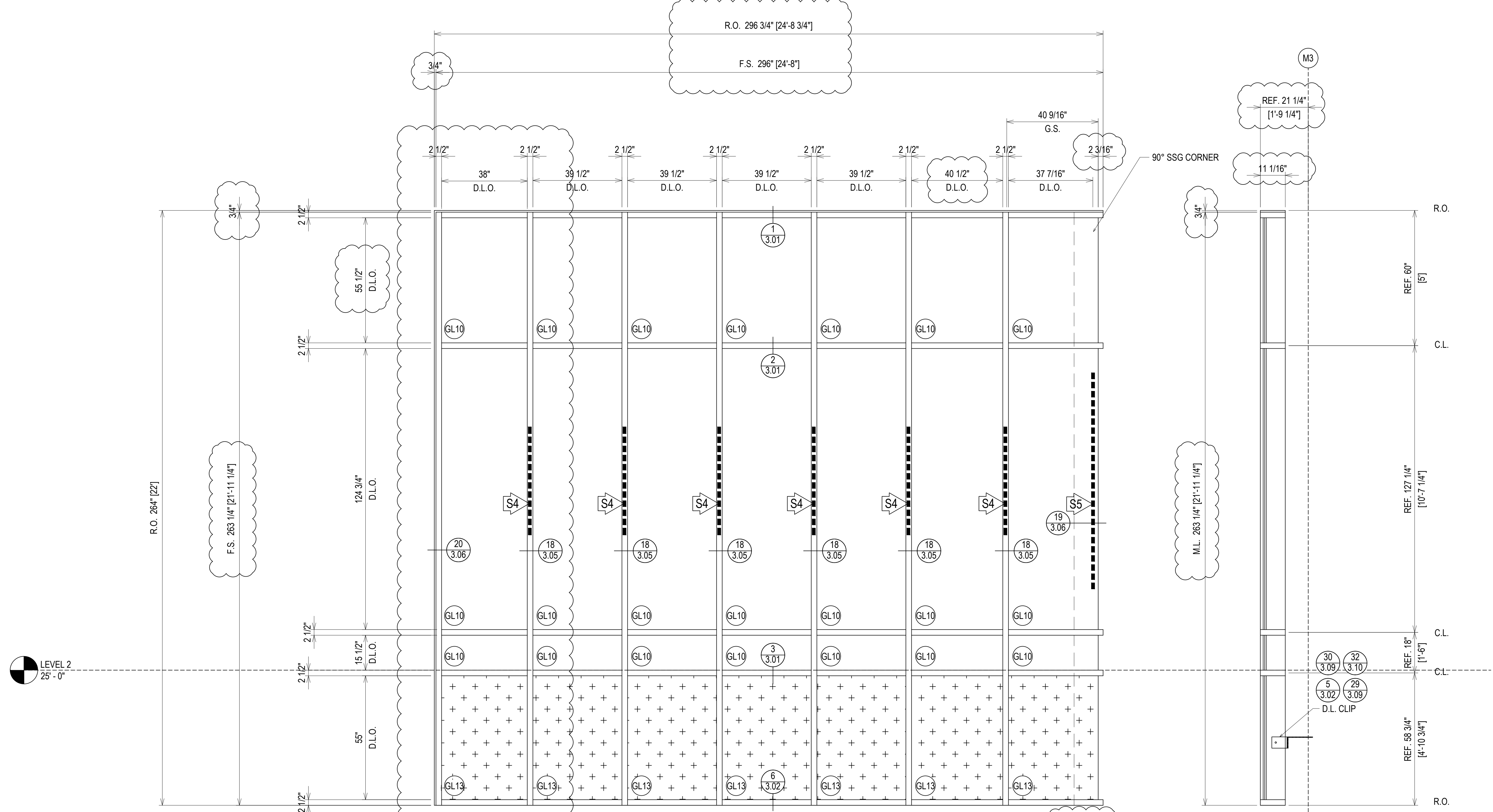
WEST PEWTER METALLIC  
UC141331XL

PROJECT:	NHA5/6 DATA CENTER (EXTERIOR)
LOCATION:	HUNTSVILLE, ALABAMA
ERECTOR:	1ST CHOICE GLASS
DATE:	9/27/22
DATE:	7/25/22
DATE:	5/11/22
DATE:	2/01/22
DESCRIPTION:	NO
DRAWING SUBMISSION:	

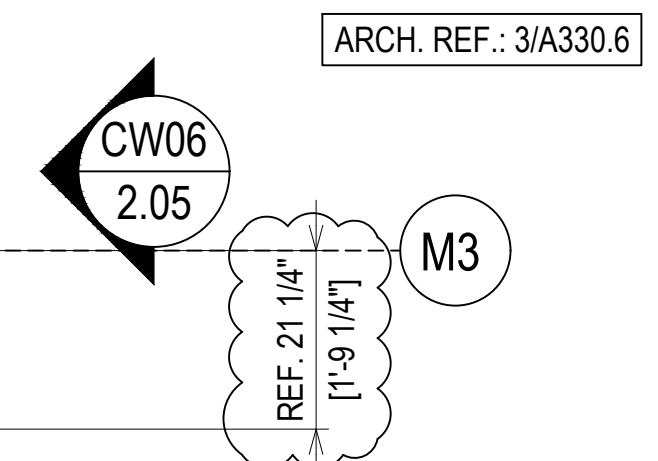
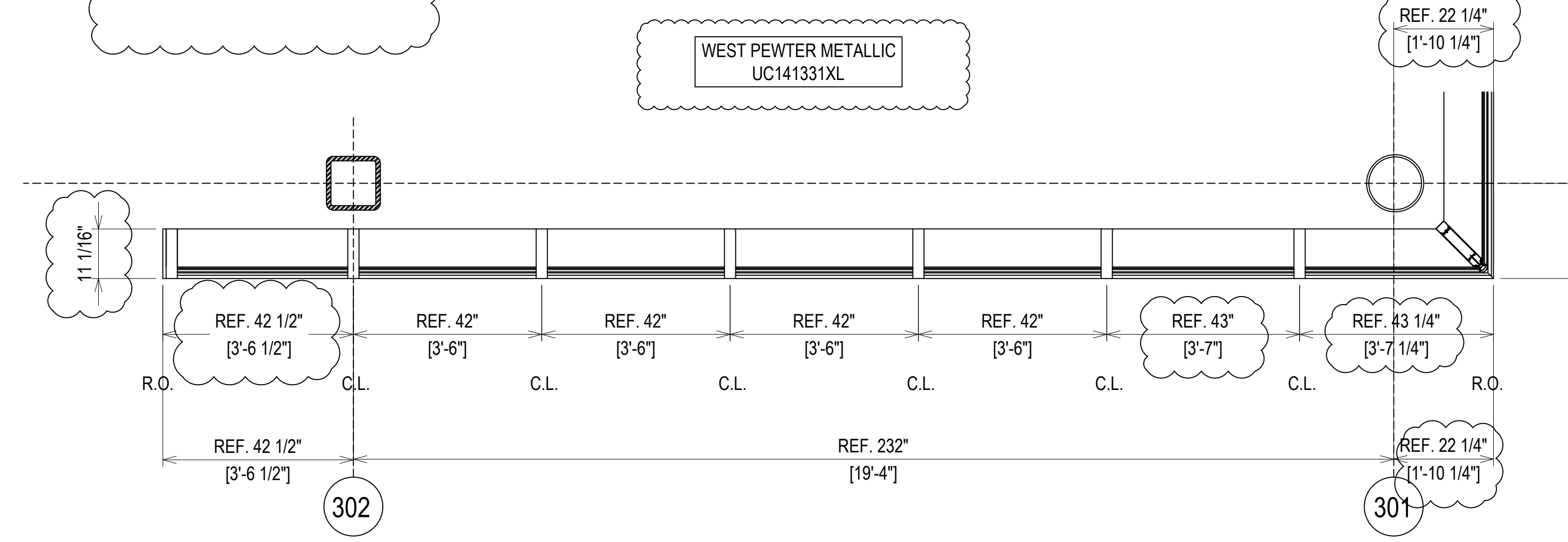


DRAWN BY: DU  
DATE: 6/17/21  
CHECKED BY: TH  
DATE: 6/17/21  
JOB NO.:  
SHEET NO.: **2.08A**





- 162-064 MULLION WITH 162-364 STEEL (4'-0" LENGTH)  
LOCATED 120" TO 168" FROM THE BOTTOM OF THE MULLION
- 162-064 MULLION WITH 162-364 STEEL (8'-0" LENGTH)  
LOCATED 96" TO 192" FROM THE BOTTOM OF THE MULLION



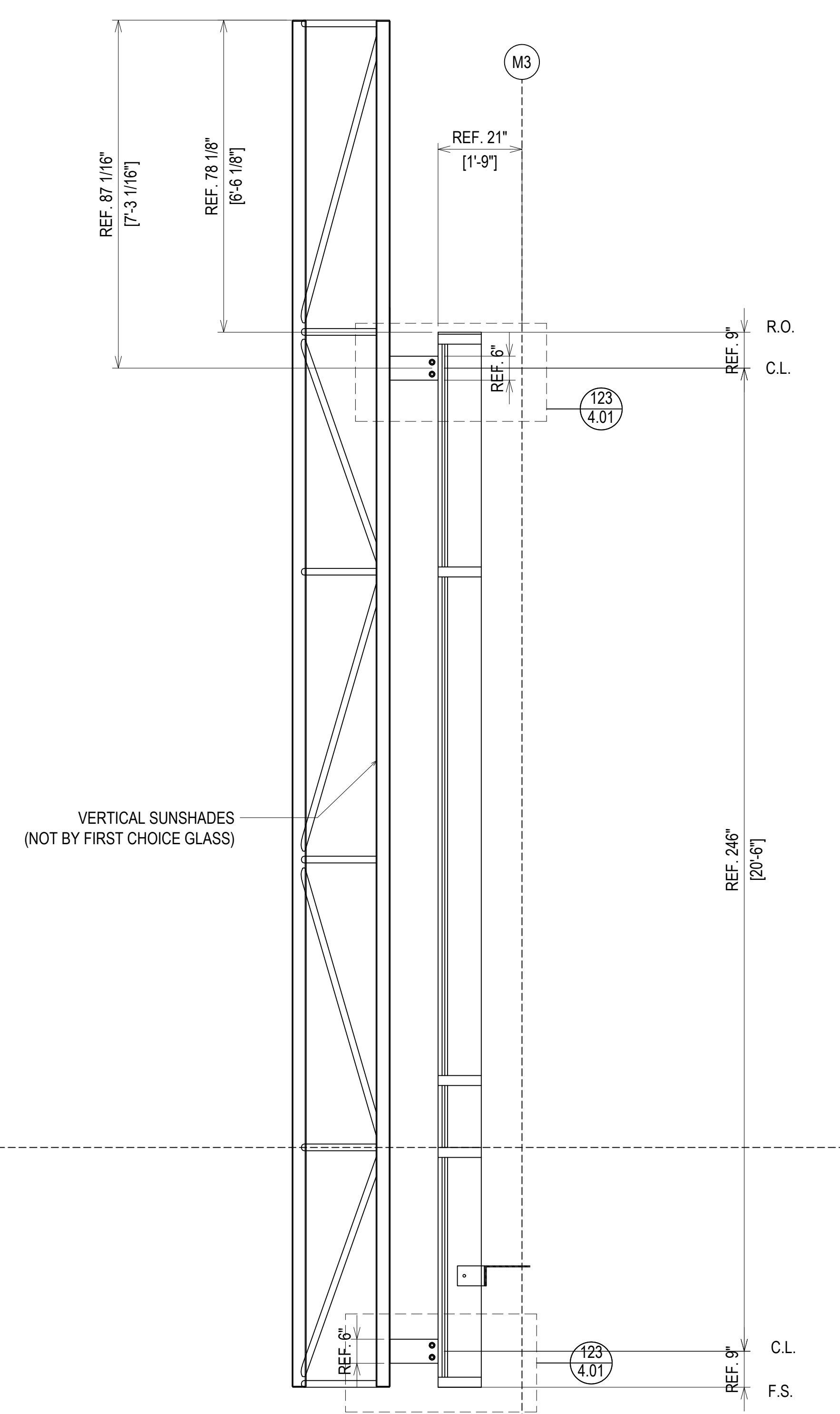
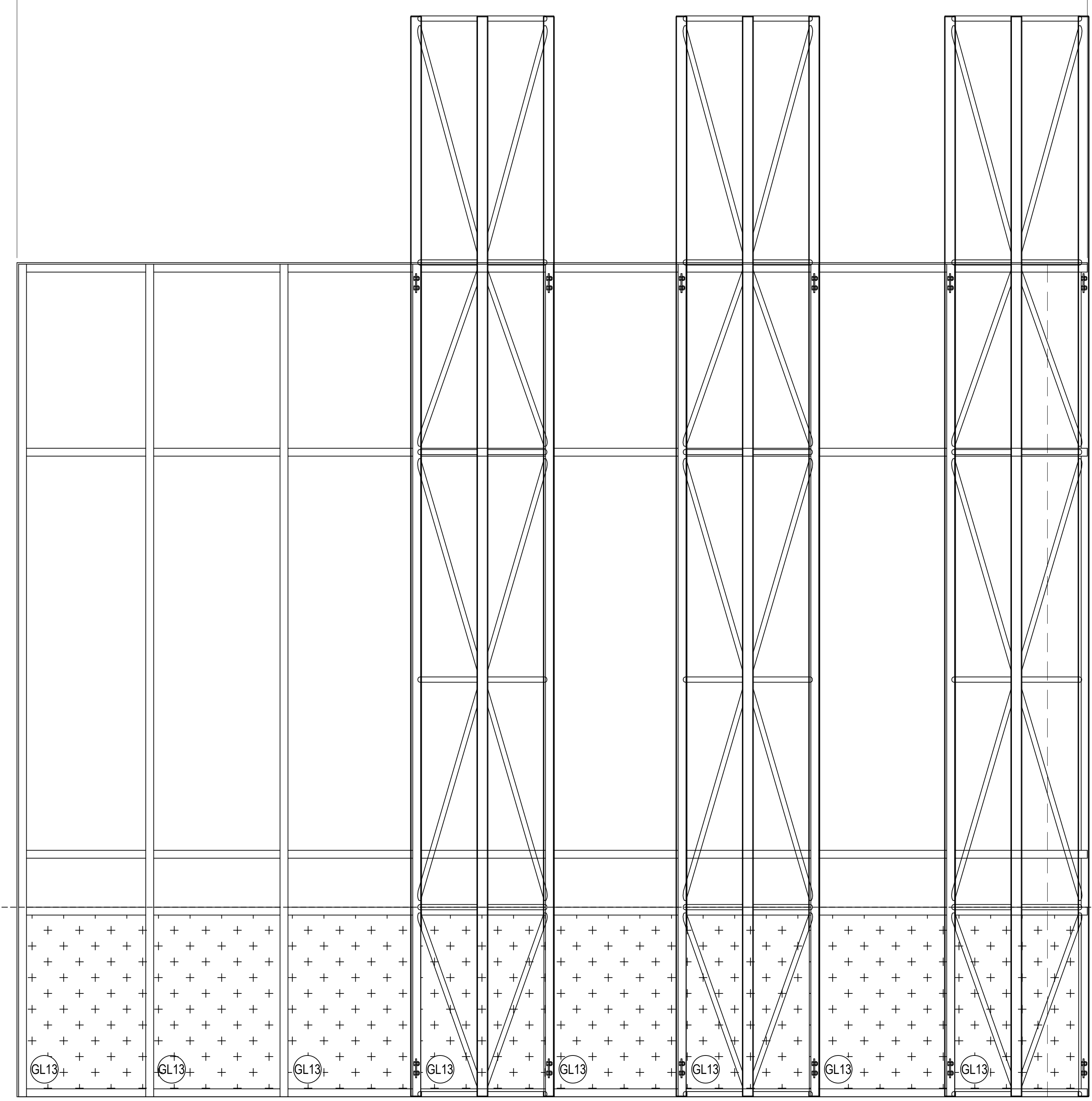
**ELEVATION CW07**  
 SCALE: 1/2" = 1'-0"  
 KAWNEER 1600IR SYSTEM 1 - 2 1/2" X 10 13/16"  
 EXTERIOR CURTAIN WALL  
 1 5/16" LAMINATED GLASS (FRONT SET)  
 QUANTITY: 1

**ERECTOR / G.C. NOTE:**  
 PLEASE FIELD VERIFY ALL DIMENSIONS

<b>PROJECT:</b> NHA5/6 DATA CENTER (EXTERIOR)	<b>16TH REVISION BY:</b> CW	<b>DATE:</b> 9/27/22	<b>DRAWING SUBMISSION</b>
<b>LOCATION:</b> HUNTSVILLE, ALABAMA	<b>15TH REVISION BY:</b> CW	<b>DATE:</b> 7/25/22	
<b>ERECTOR:</b> 1ST CHOICE GLASS	<b>14TH REVISION BY:</b> CW	<b>DATE:</b> 5/11/22	
	<b>13TH REVISION BY:</b> CW	<b>DATE:</b> 2/01/22	
	<b>DESCRIPTION:</b>	<b>NO:</b>	<b>DATE:</b>

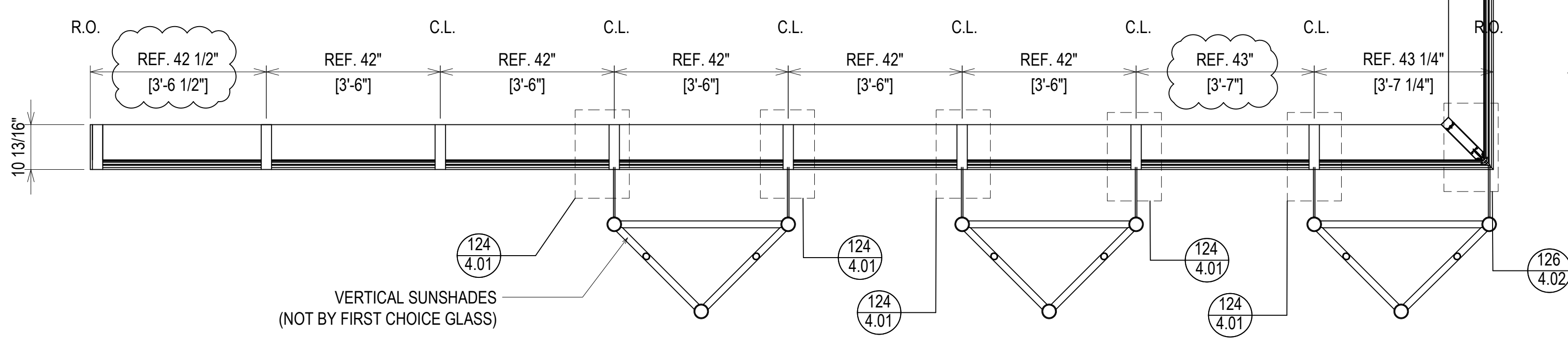
<b>DRAWN BY:</b> DU	<b>DATE:</b> 6/17/21
<b>CHECKED BY:</b> TH	<b>DATE:</b> 6/17/21
<b>JOB NO.:</b>	
<b>SHEET NO.:</b>	2.10

R.O. 338 3/4" [28'-2 3/4"]



THE ANCHOR CLIPS DESIGN WILL BE DETERMINED DURING ENGINEERING REVIEW. SIZE, TYPE, LOCATION AND FREQUENCY WILL BE UNDER REVIEW. STEEL REINFORCING MAY ALSO BE REQUIRED INSIDE THE CURTAINWALL MULLION TO SUPPORT THE VERTICAL SUNSHADES.

LEVEL 2  
25' - 0"



CW06  
2.05

ELEVATION CW07  
SCALE: 1/2" = 1'-0"  
KAWNEER 1600IR SYSTEM 1 - 2 1/2" X 10 13/16"  
EXTERIOR CURTAIN WALL  
1 5/16" LAMINATED GLASS (FRONT SET)  
QUANTITY: 1

ERECTOR / G.C. NOTE:  
PLEASE FIELD VERIFY ALL DIMENSIONS

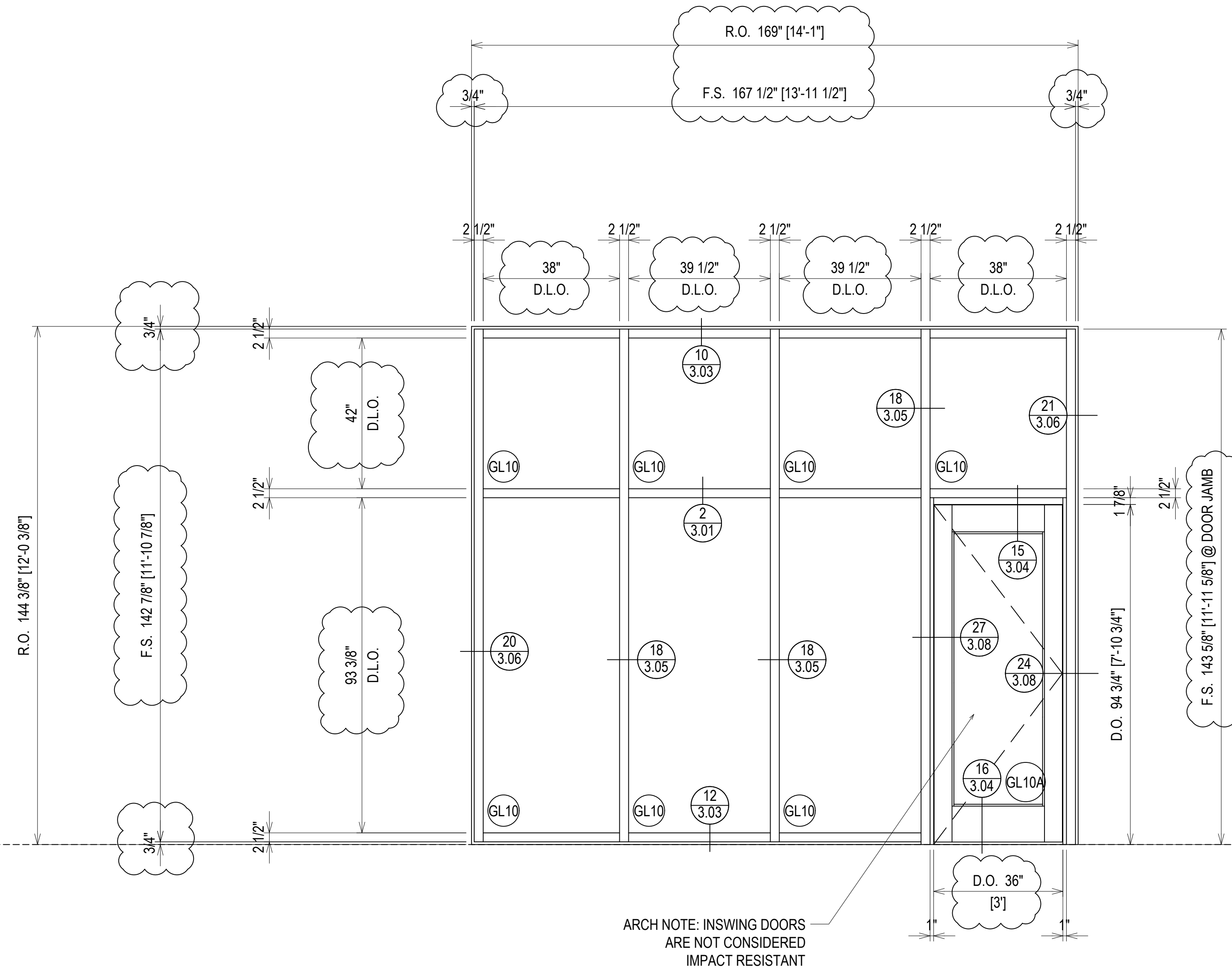
9/27/22	16TH REVISION BY CW	DESCRIPTION	DATE
7/25/22	15TH REVISION BY CW		
5/11/22	14TH REVISION BY CW		
2/01/22	13TH REVISION BY CW		
	NO		

PROJECT: NHA5/6 DATA CENTER (EXTERIOR)  
LOCATION: HUNTSVILLE, ALABAMA  
ERECTOR: 1ST CHOICE GLASS

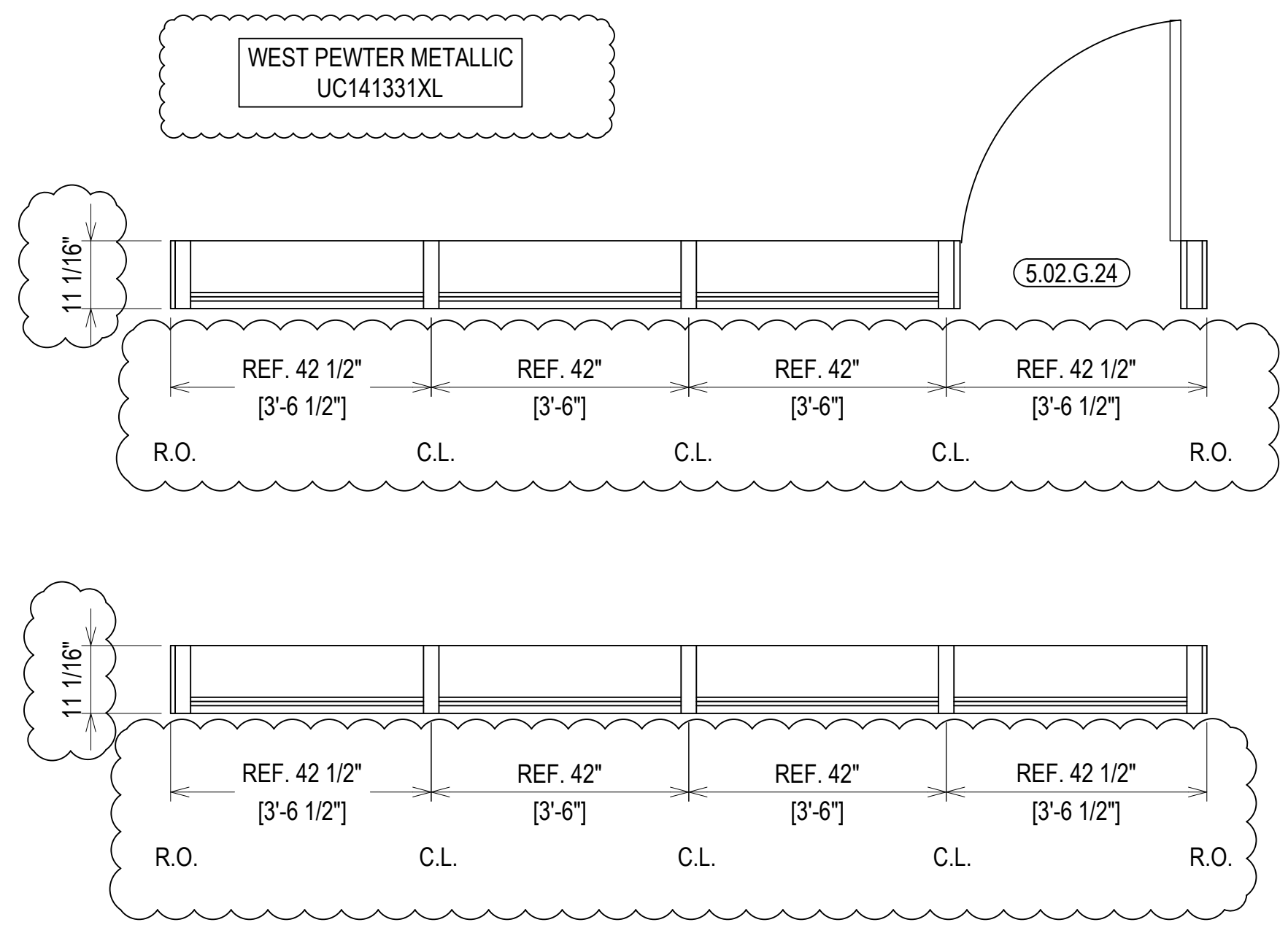
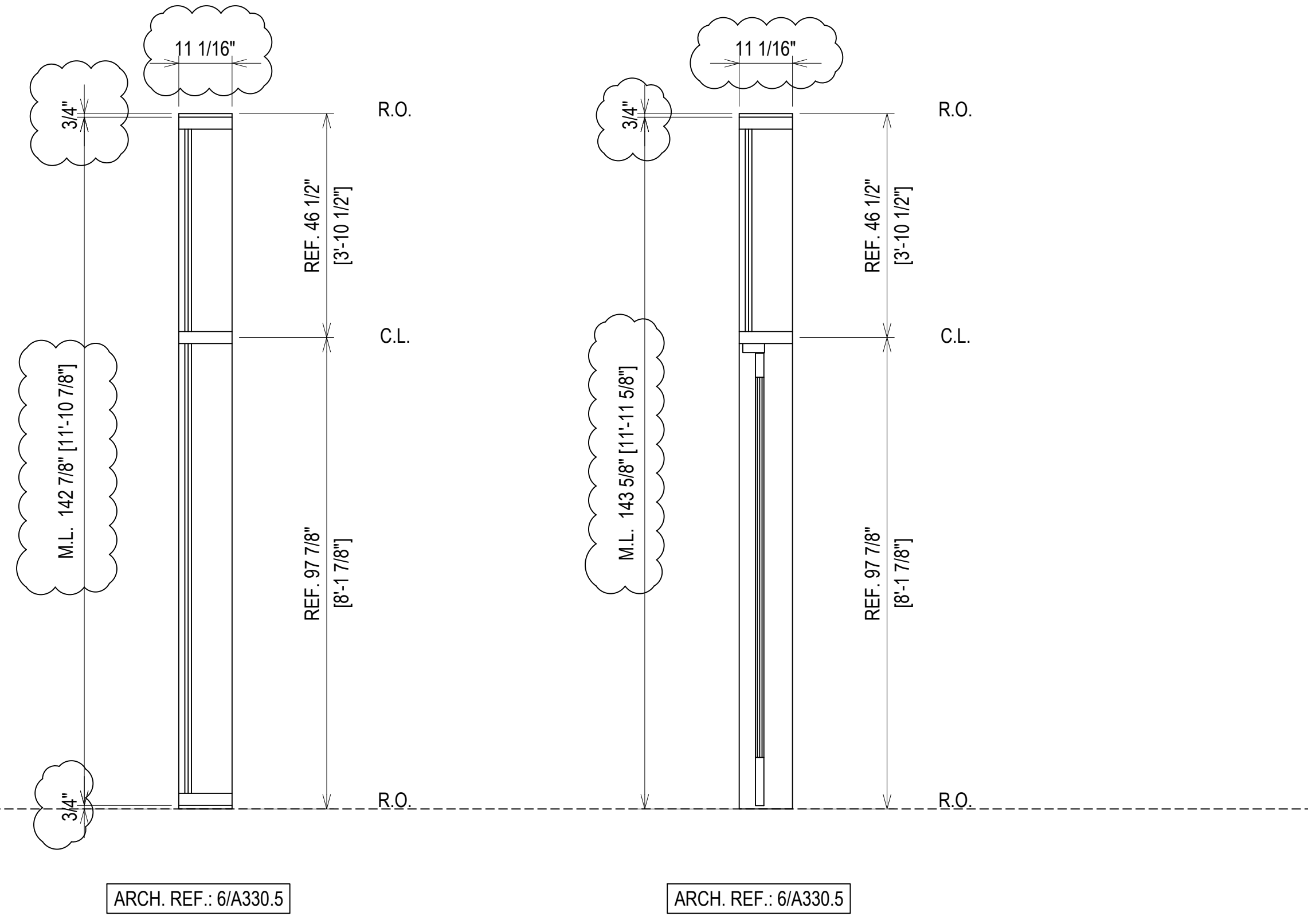


DRAWN BY: DU DATE: 6/17/21  
CHECKED BY: TH DATE: 6/17/21  
JOB NO.:

SHEET NO.: 2.10A



ARCH NOTE: INSWING DOORS ARE NOT CONSIDERED IMPACT RESISTANT



**ELEVATION CW08**  
 SCALE: 1/2" = 1'-0"  
 KAWNEER 1600IR SYSTEM 1 - 2 1/2" X 10 13/16"  
 EXTERIOR CURTAIN WALL  
 1 5/16" LAMINATED GLASS (FRONT SET)  
 QUANTITY: 1

ERECTOR / G.C. NOTE:  
 PLEASE FIELD VERIFY ALL DIMENSIONS

PROJECT:	NHA5/6 DATA CENTER (EXTERIOR)	
LOCATION:	HUNTSVILLE, ALABAMA	
ERECTOR:	1ST CHOICE GLASS	
16TH REVISION BY	CW	9/27/22
15TH REVISION BY	CW	7/25/22
14TH REVISION BY	CW	5/11/22
13TH REVISION BY	CW	2/01/22
NO	DESCRIPTION	DATE
DRAWING SUBMISSION		

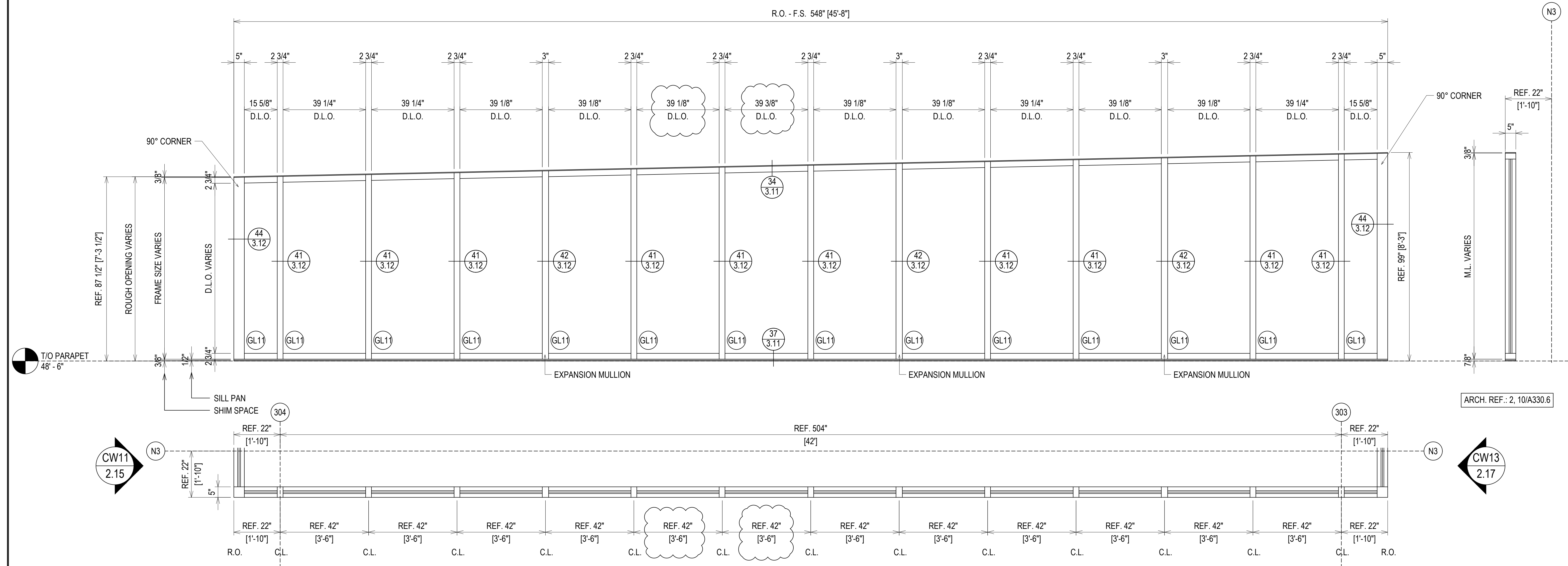


DRAWN BY: DJ DATE: 6/17/21  
 CHECKED BY: TH DATE: 6/17/21  
 JOB NO.:  
 SHEET NO.: **2.11**





16TH REVISION BY CW	9/27/22
15TH REVISION BY CW	7/25/22
14TH REVISION BY CW	5/11/22
13TH REVISION BY CW	2/01/22
NO	DATE
DRAWING SUBMISSION	



R.O. - F.S. 548" [45'-8"]

REF. 504" [42']

WEST PEWTER METALLIC UC141331XL

ELEVATION CW10  
 SCALE: 1/2" = 1'-0"  
 KAWNEER IR501UT - 2 3/4" X 5"  
 EXTERIOR STOREFRONT  
 1 5/16" LAMINATED GLASS (CENTER SET)  
 QUANTITY: 1

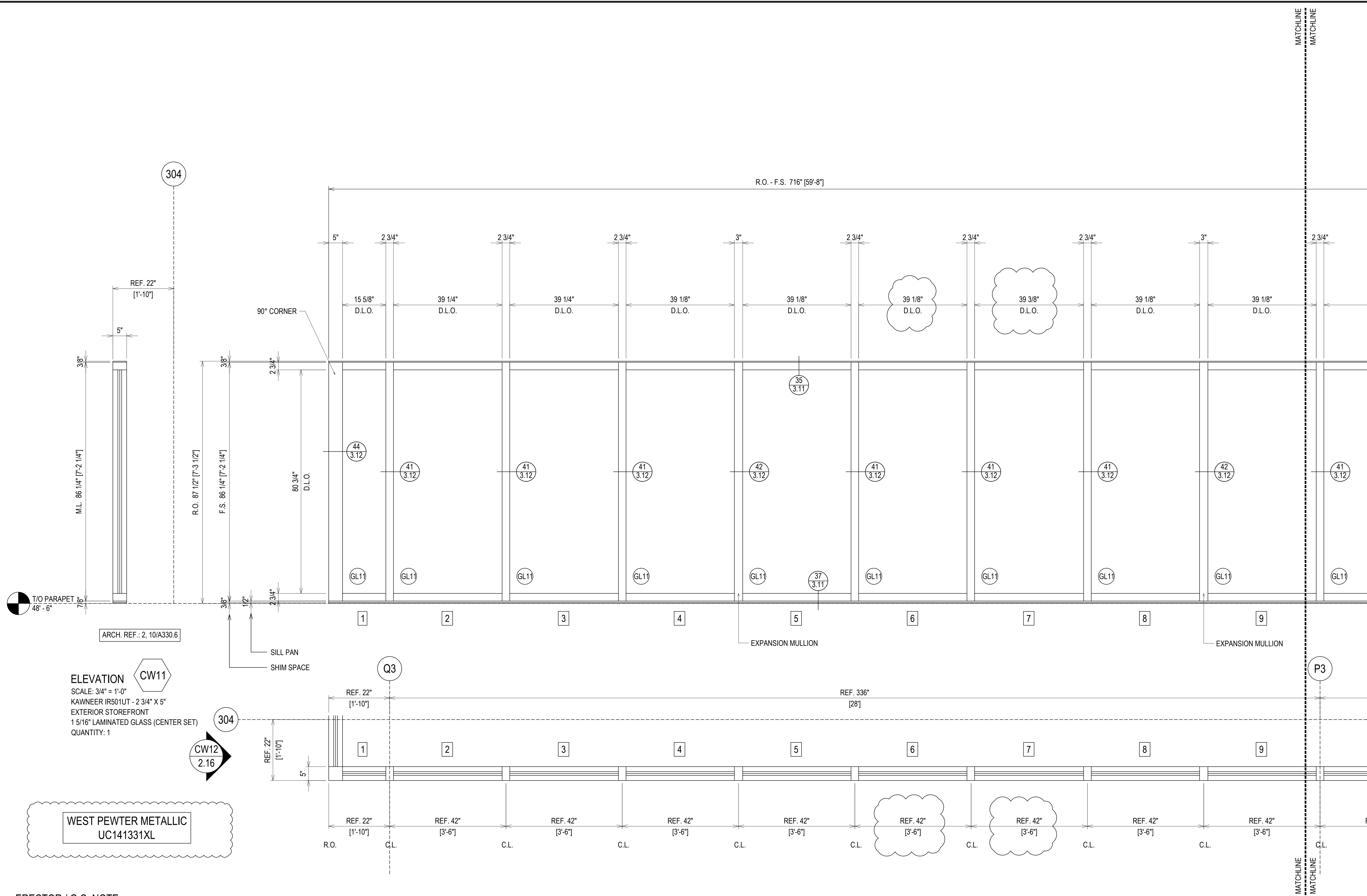
ERECTOR / G.C. NOTE:  
 PLEASE FIELD VERIFY ALL DIMENSIONS

PROJECT: NHA5/6 DATA CENTER (EXTERIOR)  
 LOCATION: HUNTSVILLE, ALABAMA  
 ERECTOR: 1ST CHOICE GLASS



DRAWN BY: DU DATE: 6/17/21  
 CHECKED BY: TH DATE: 6/17/21  
 JOB NO.:

SHEET NO.: 2.13



304

R.O. - F.S. 716" [59'-8"]

MATCHLINE  
MATCHLINE

16TH REVISION BY CW	9/27/22
15TH REVISION BY CW	7/25/22
14TH REVISION BY CW	5/11/22
13TH REVISION BY CW	2/01/22
NO	DATE
DESCRIPTION	
DRAWING SUBMISSION	

PROJECT: NHA5/6 DATA CENTER (EXTERIOR)  
 LOCATION: HUNTSVILLE, ALABAMA  
 ERECTOR: 1ST CHOICE GLASS



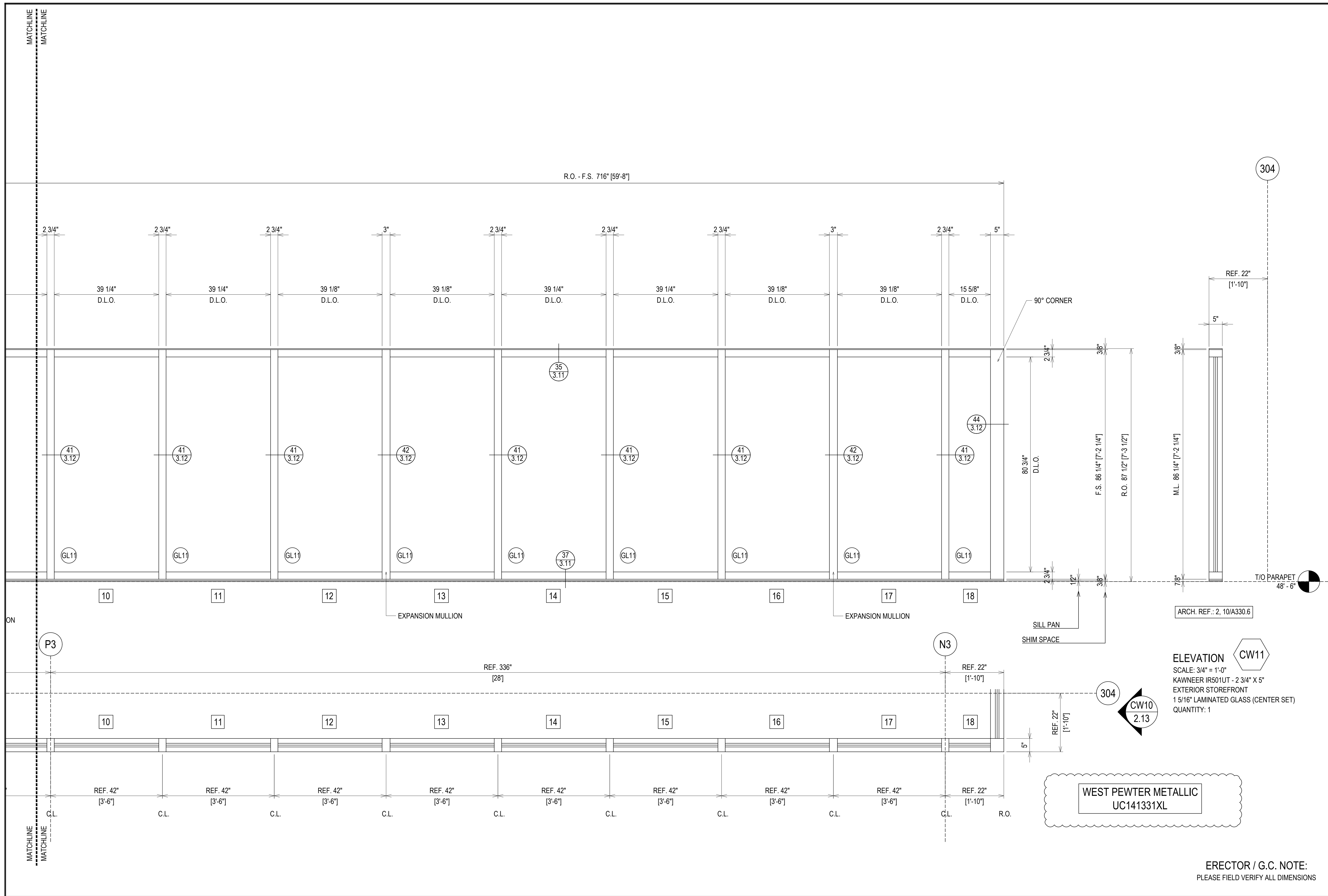
DRAWN BY: DU	DATE: 6/17/21
CHECKED BY: TH	DATE: 6/17/21
JOB NO.:	
SHEET NO.:	

2.14

ELEVATION CW11  
 SCALE: 3/4" = 1'-0"  
 KAWNEER IR501UT - 2 3/4" X 5"  
 EXTERIOR STOREFRONT  
 1 5/16" LAMINATED GLASS (CENTER SET)  
 QUANTITY: 1

WEST PEWTER METALLIC  
 UC141331XL

ERECTOR / G.C. NOTE:  
 PLEASE FIELD VERIFY ALL DIMENSIONS



304

**ELEVATION CW11**  
 SCALE: 3/4" = 1'-0"  
 KAWNEER IR501UT - 2 3/4" X 5"  
 EXTERIOR STOREFRONT  
 1 5/16" LAMINATED GLASS (CENTER SET)  
 QUANTITY: 1

**WEST PEWTER METALLIC UC141331XL**

**ERECTOR / G.C. NOTE:**  
 PLEASE FIELD VERIFY ALL DIMENSIONS

16TH REVISION BY CW	9/27/22
15TH REVISION BY CW	7/25/22
14TH REVISION BY CW	5/11/22
13TH REVISION BY CW	2/01/22
NO	DATE
DESCRIPTION	
DRAWING SUBMISSION	

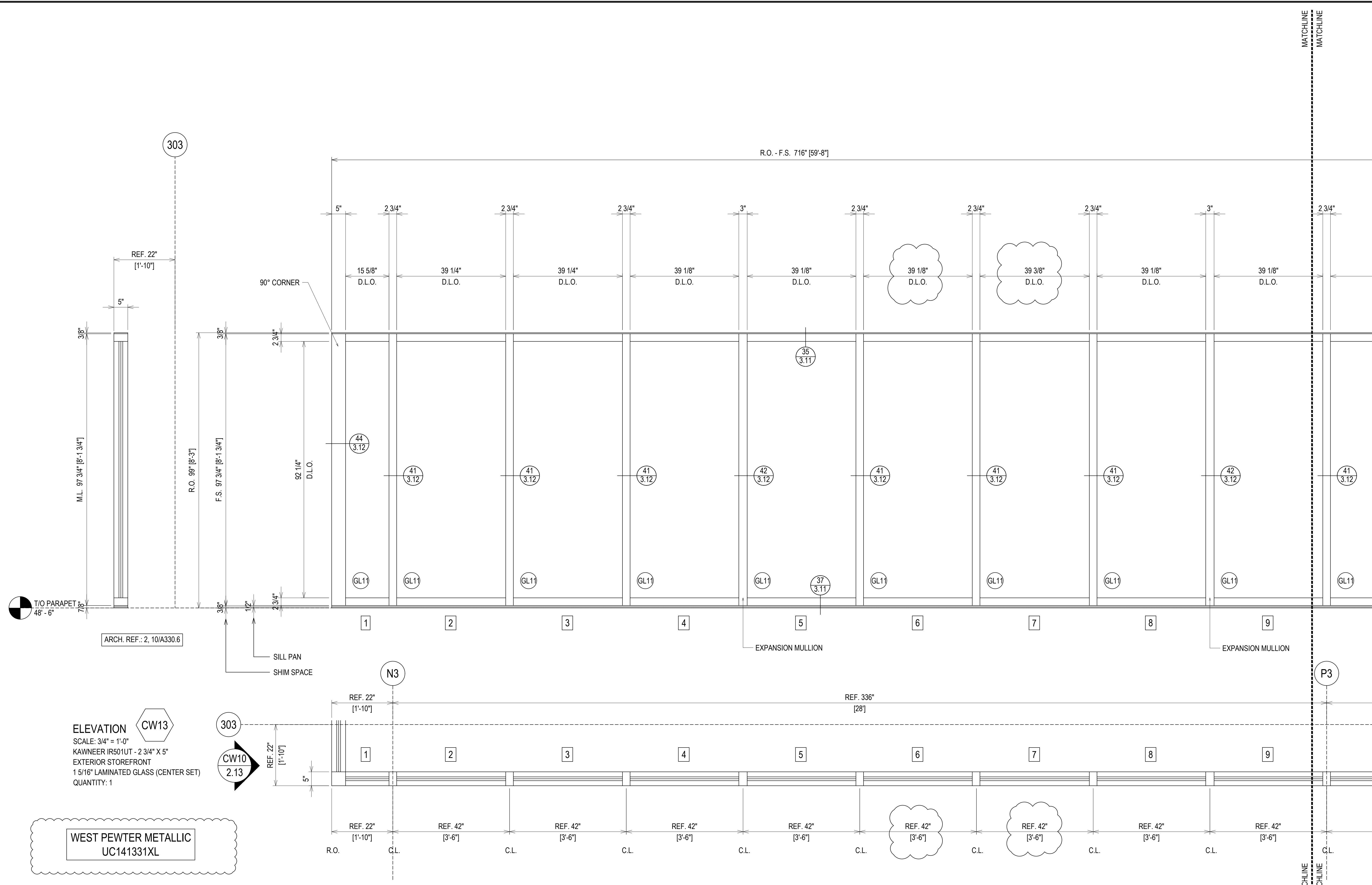
PROJECT: NHA5/6 DATA CENTER (EXTERIOR)  
 LOCATION: HUNTSVILLE, ALABAMA  
 ERECTOR: 1ST CHOICE GLASS



DRAWN BY: DU	DATE: 6/17/21
CHECKED BY: TH	DATE: 6/17/21
JOB NO.:	

SHEET NO.: **2.15**





16TH REVISION BY CW	9/27/22
15TH REVISION BY CW	7/25/22
14TH REVISION BY CW	5/11/22
13TH REVISION BY CW	2/01/22
NO	DATE
DESCRIPTION	
DRAWING SUBMISSION	

PROJECT: NHA5/6 DATA CENTER (EXTERIOR)  
 LOCATION: HUNTSVILLE, ALABAMA  
 ERECTOR: 1ST CHOICE GLASS

PROJECT: NHA5/6 DATA CENTER (EXTERIOR)
LOCATION: HUNTSVILLE, ALABAMA
ERECTOR: 1ST CHOICE GLASS



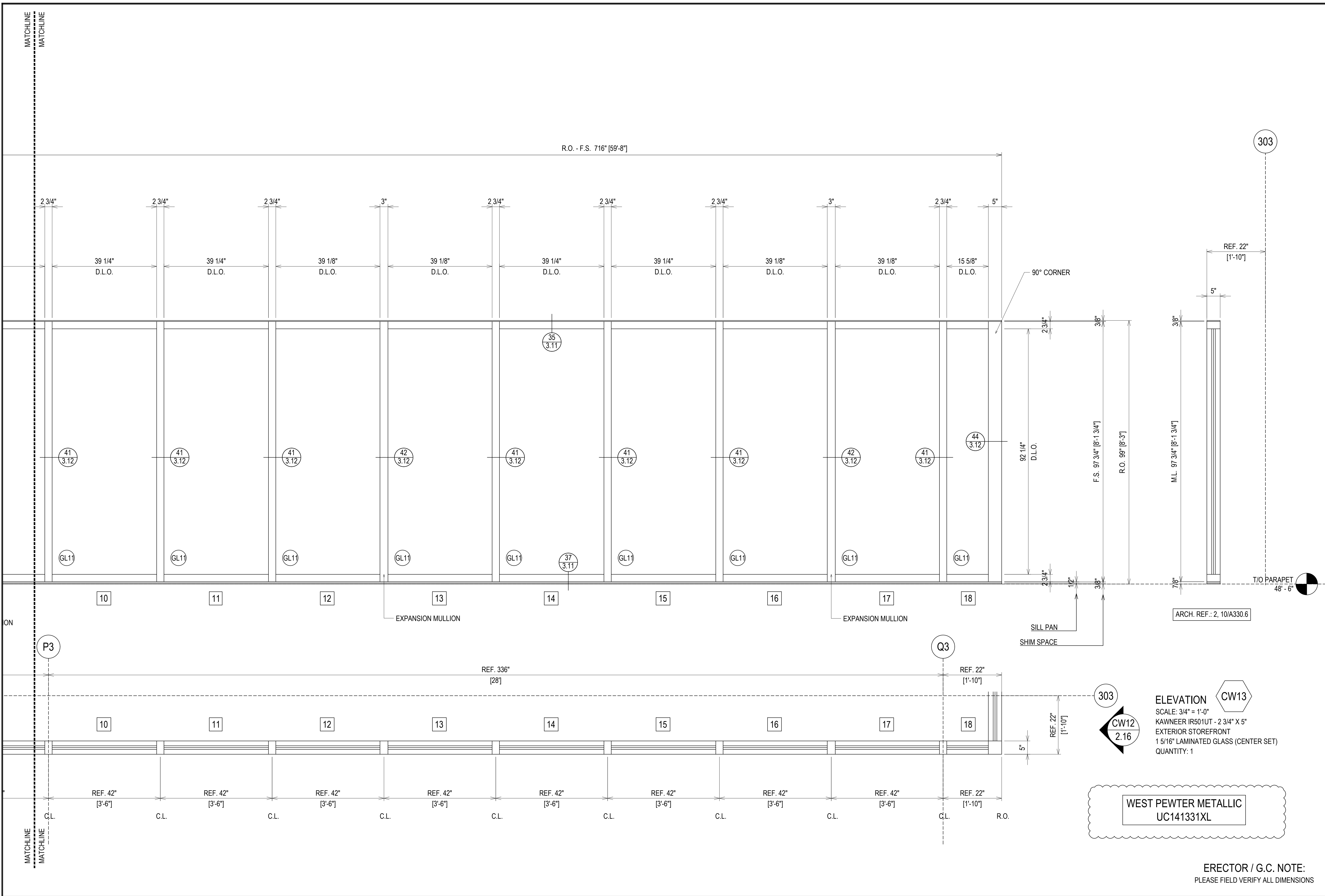
DRAWN BY: DU	DATE: 6/17/21
CHECKED BY: TH	DATE: 6/17/21
JOB NO.:	

SHEET NO.: **2.17**

**ELEVATION CW13**  
 SCALE: 3/4" = 1'-0"  
 KAWNEER IR501UT - 2 3/4" X 5"  
 EXTERIOR STOREFRONT  
 1 5/16" LAMINATED GLASS (CENTER SET)  
 QUANTITY: 1

**WEST PEWTER METALLIC UC141331XL**

**ERECTOR / G.C. NOTE:**  
 PLEASE FIELD VERIFY ALL DIMENSIONS



16TH REVISION BY CW	9/27/22
15TH REVISION BY CW	7/25/22
14TH REVISION BY CW	5/11/22
13TH REVISION BY CW	2/01/22
NO	DATE
DESCRIPTION	
DRAWING SUBMISSION	

PROJECT: NHA5/6 DATA CENTER (EXTERIOR)	
LOCATION: HUNTSVILLE, ALABAMA	
ERECTOR: 1ST CHOICE GLASS	

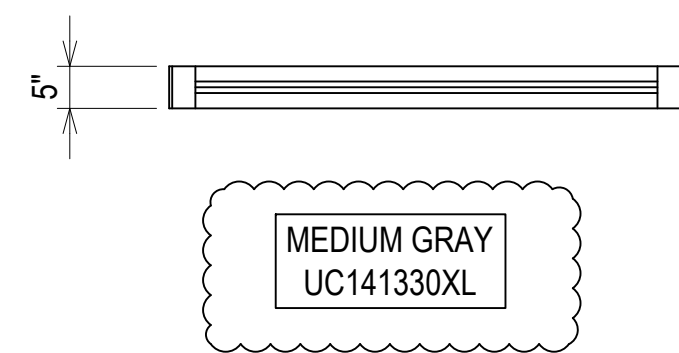
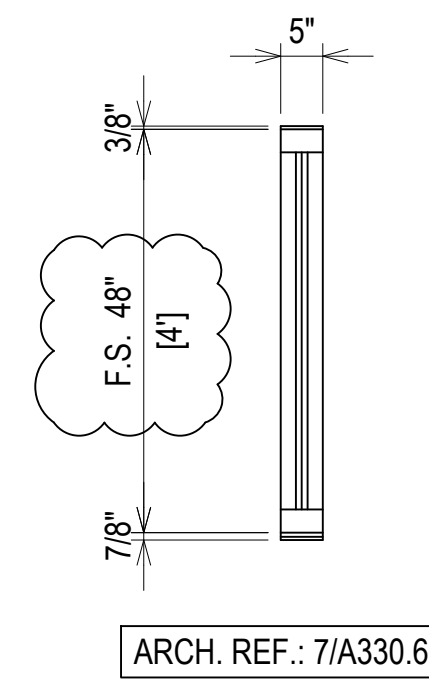
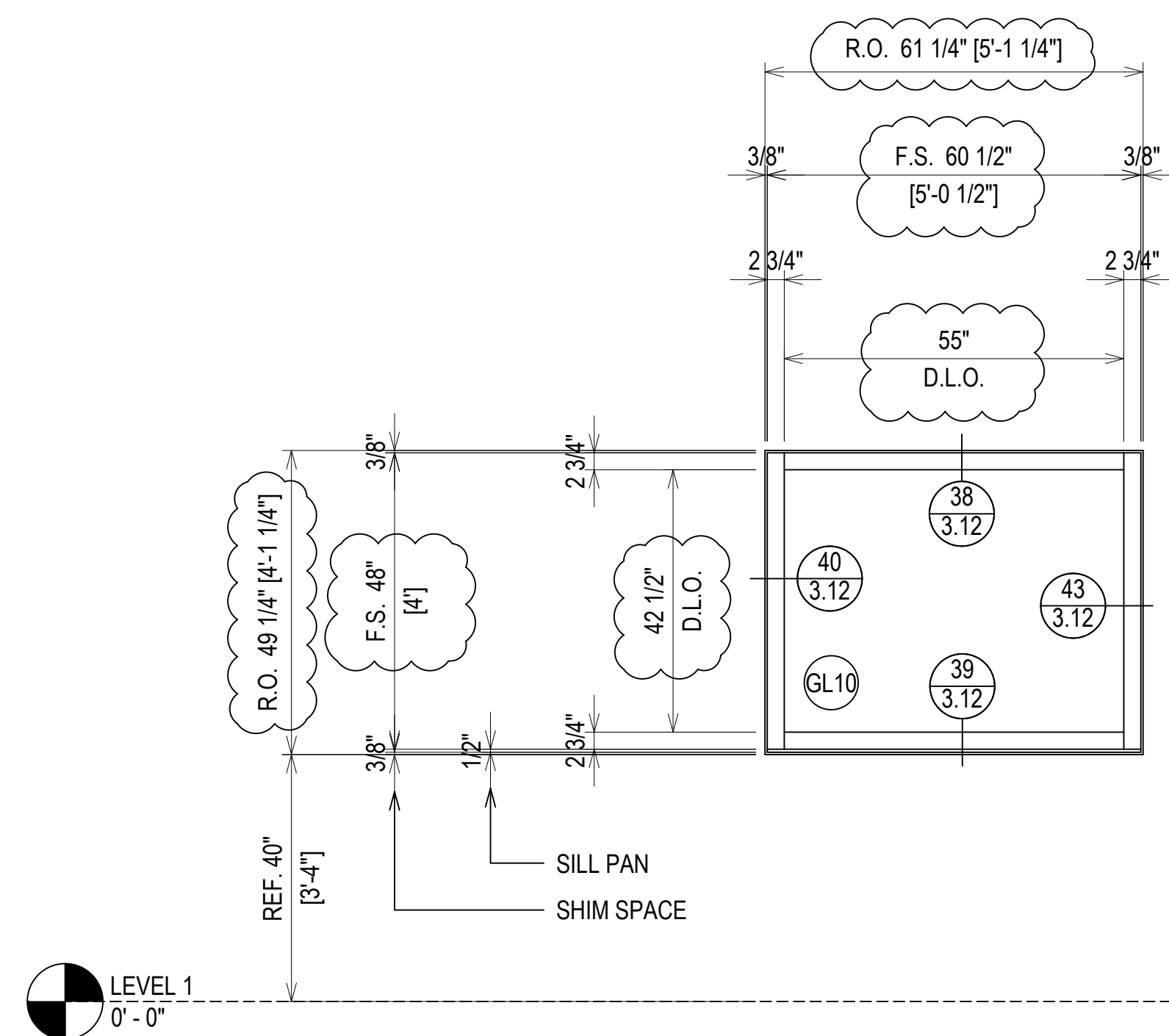
PROJECT: NHA5/6 DATA CENTER (EXTERIOR)
LOCATION: HUNTSVILLE, ALABAMA
ERECTOR: 1ST CHOICE GLASS

**ELEVATION CW13**  
 SCALE: 3/4" = 1'-0"  
 KAWNEER IR501UT - 2 3/4" X 5"  
 EXTERIOR STOREFRONT  
 1 5/16" LAMINATED GLASS (CENTER SET)  
 QUANTITY: 1

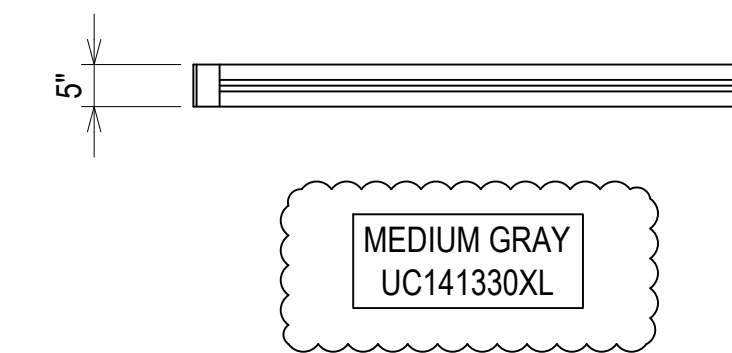
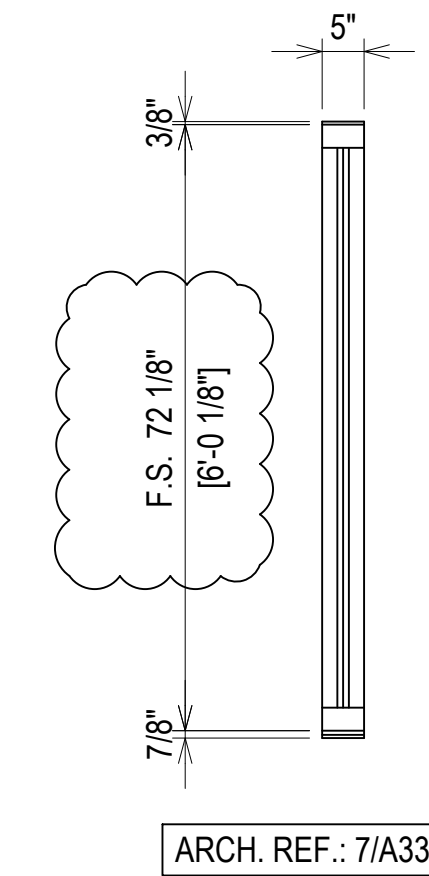
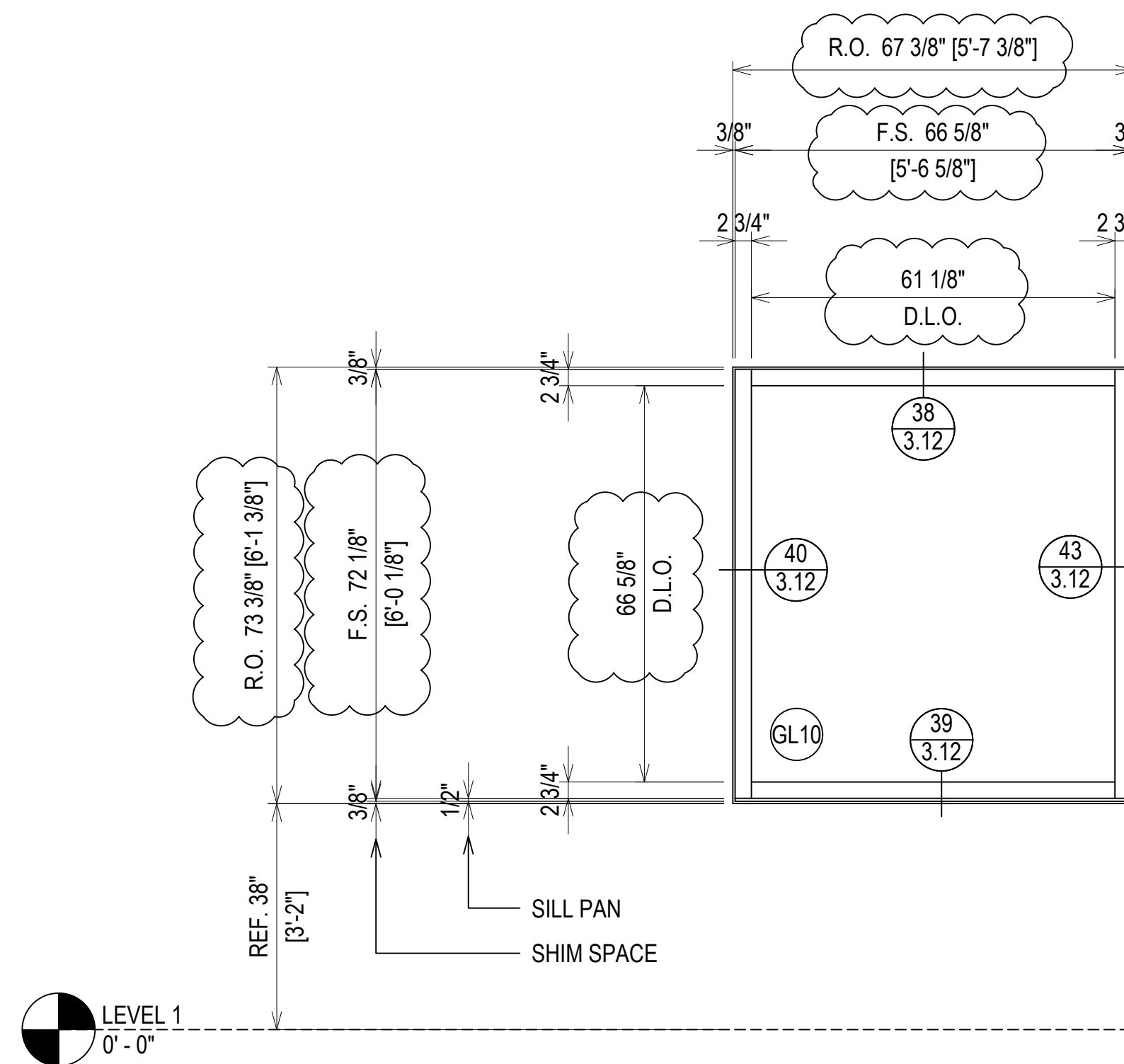
**WEST PEWTER METALLIC UC141331XL**

ERECTOR / G.C. NOTE:  
 PLEASE FIELD VERIFY ALL DIMENSIONS

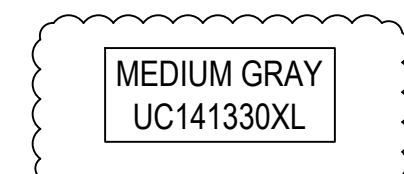
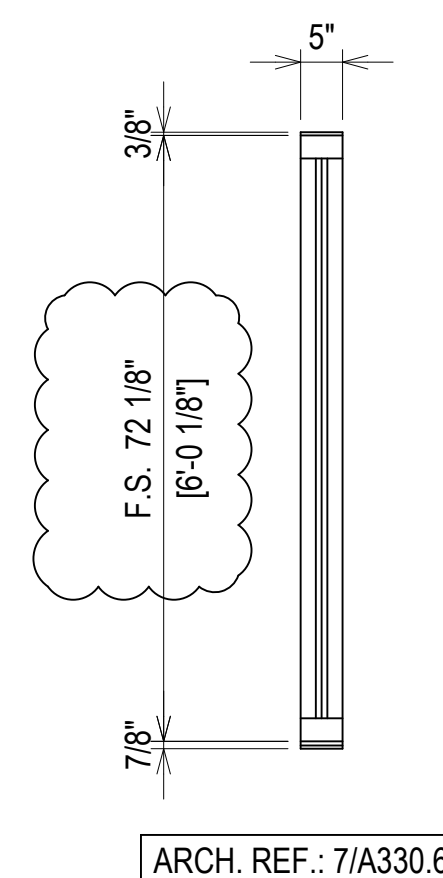
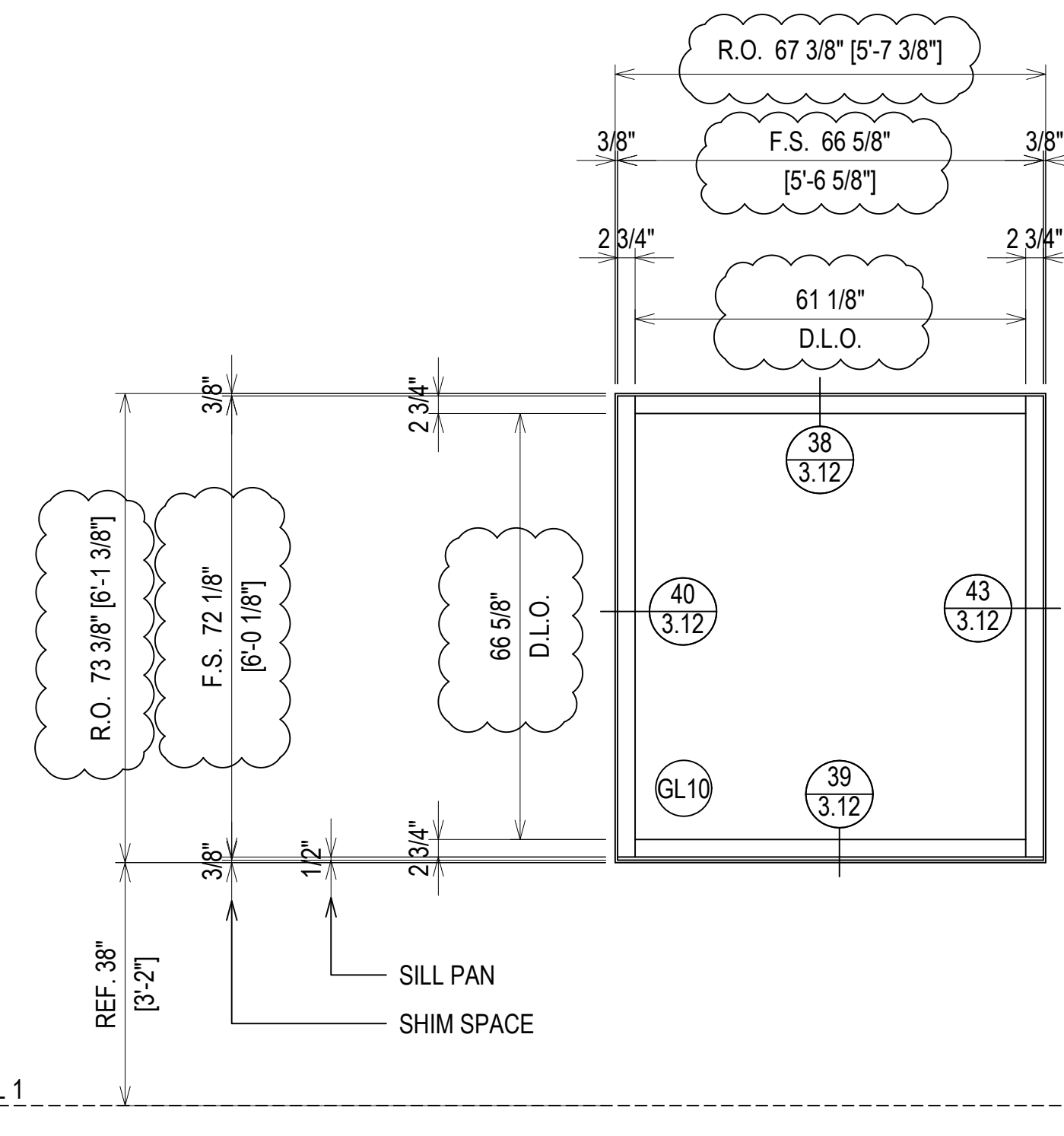
DRAWN BY: DU	DATE: 6/17/21
CHECKED BY: TH	DATE: 6/17/21
JOB NO.:	
SHEET NO.:	



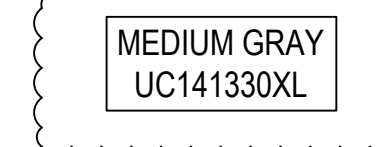
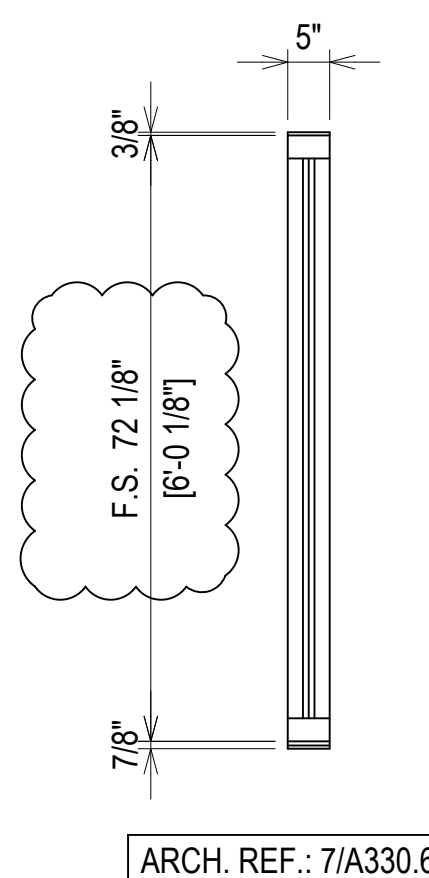
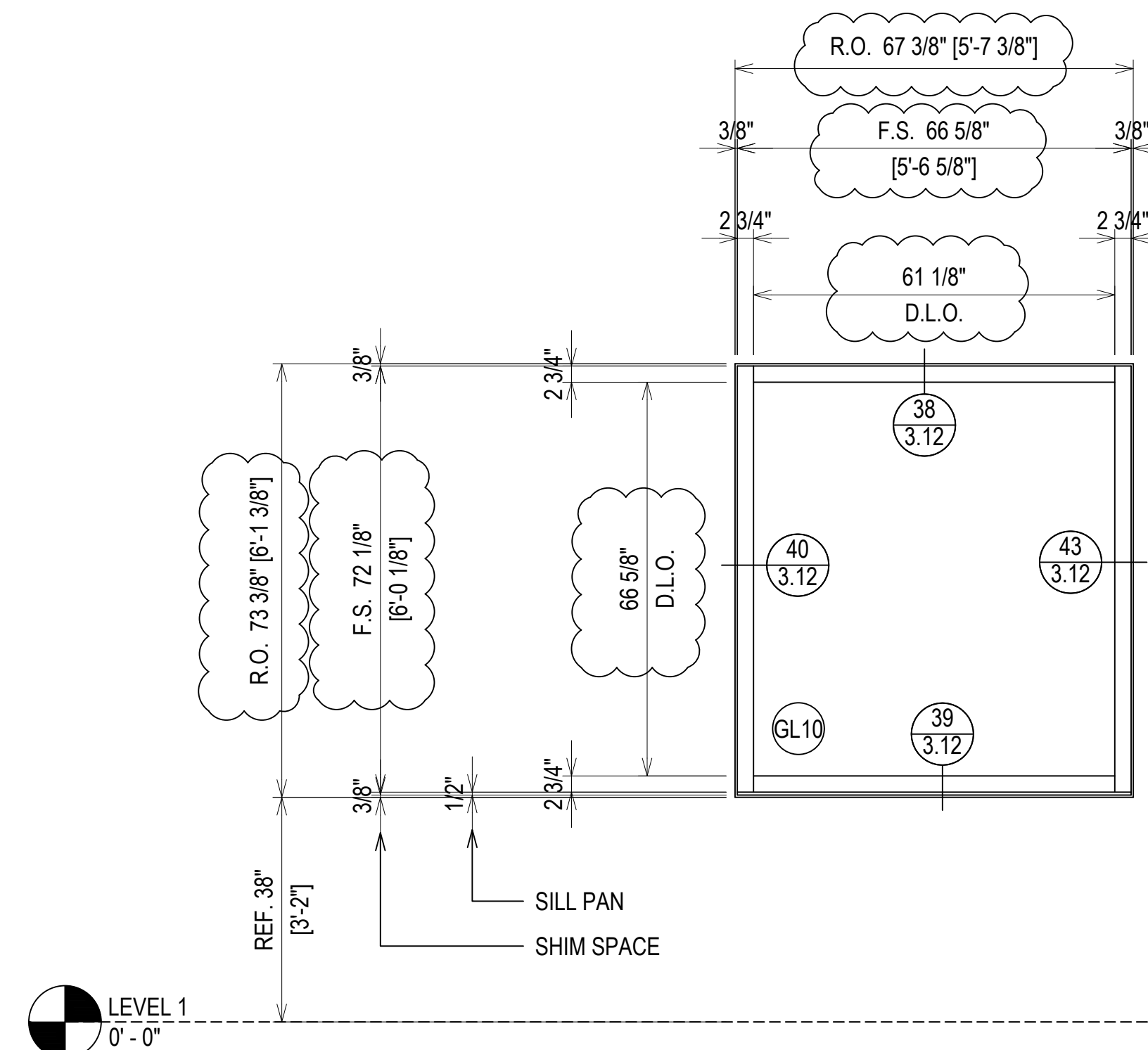
**ELEVATION W.IN.01**  
 SCALE: 1/2" = 1'-0"  
 KAWNEER IR501UT - 2 3/4" X 5"  
 EXTERIOR STOREFRONT  
 1 5/16" LAMINATED GLASS (CENTER SET)  
 QUANTITY: 1



**ELEVATION W.IN.04**  
 SCALE: 1/2" = 1'-0"  
 KAWNEER IR501UT - 2 3/4" X 5"  
 EXTERIOR STOREFRONT  
 1 5/16" LAMINATED GLASS (CENTER SET)  
 QUANTITY: 1



**ELEVATION W.IN.05**  
 SCALE: 1/2" = 1'-0"  
 KAWNEER IR501UT - 2 3/4" X 5"  
 EXTERIOR STOREFRONT  
 1 5/16" LAMINATED GLASS (CENTER SET)  
 QUANTITY: 1



**ELEVATION W.IN.06**  
 SCALE: 1/2" = 1'-0"  
 KAWNEER IR501UT - 2 3/4" X 5"  
 EXTERIOR STOREFRONT  
 1 5/16" LAMINATED GLASS (CENTER SET)  
 QUANTITY: 1

ERECTOR / G.C. NOTE:  
 PLEASE FIELD VERIFY ALL DIMENSIONS

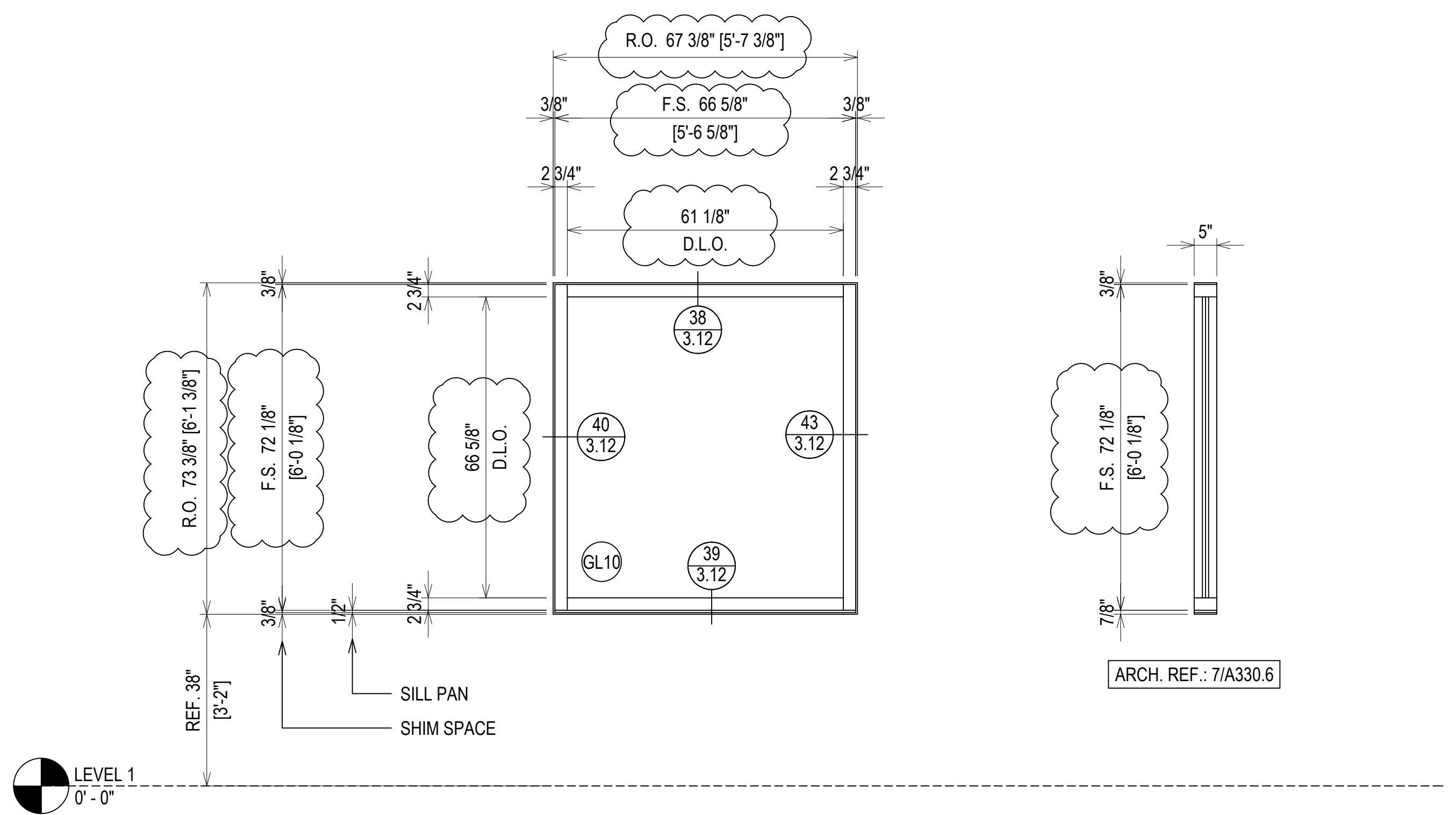
PROJECT:	NHA5/6 DATA CENTER (EXTERIOR)
LOCATION:	HUNTSVILLE, ALABAMA
ERECTOR:	1ST CHOICE GLASS
DATE:	9/27/22
REVISION BY:	CW
REVISION BY:	CW
REVISION BY:	CW
REVISION BY:	CW
NO.	DESCRIPTION
DATE	DRAWING SUBMISSION



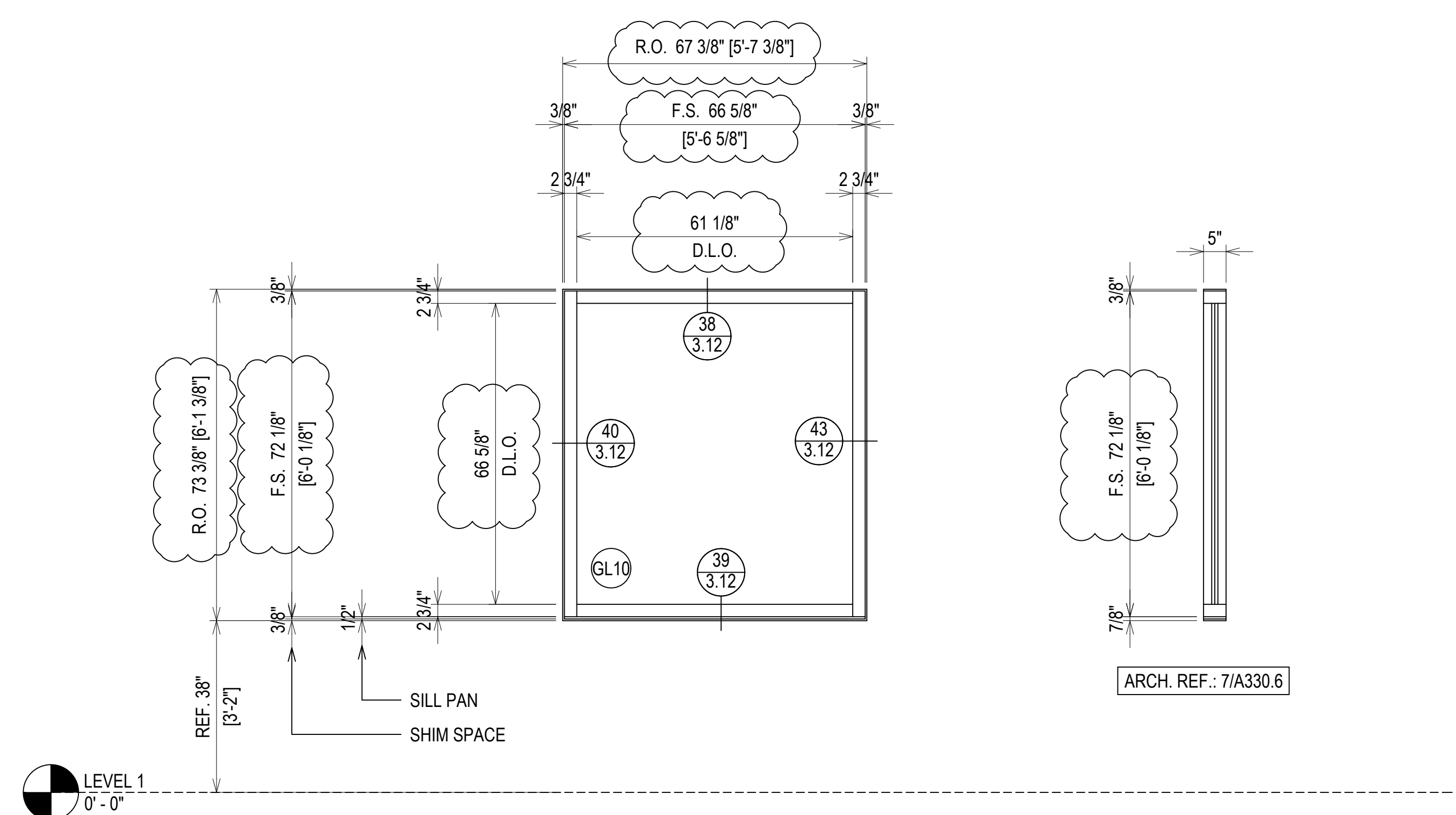
DRAWN BY:	DATE:
DJ	6/17/21
CHECKED BY:	DATE:
TH	6/17/21
JOB NO.:	

SHEET NO.: **2.19**

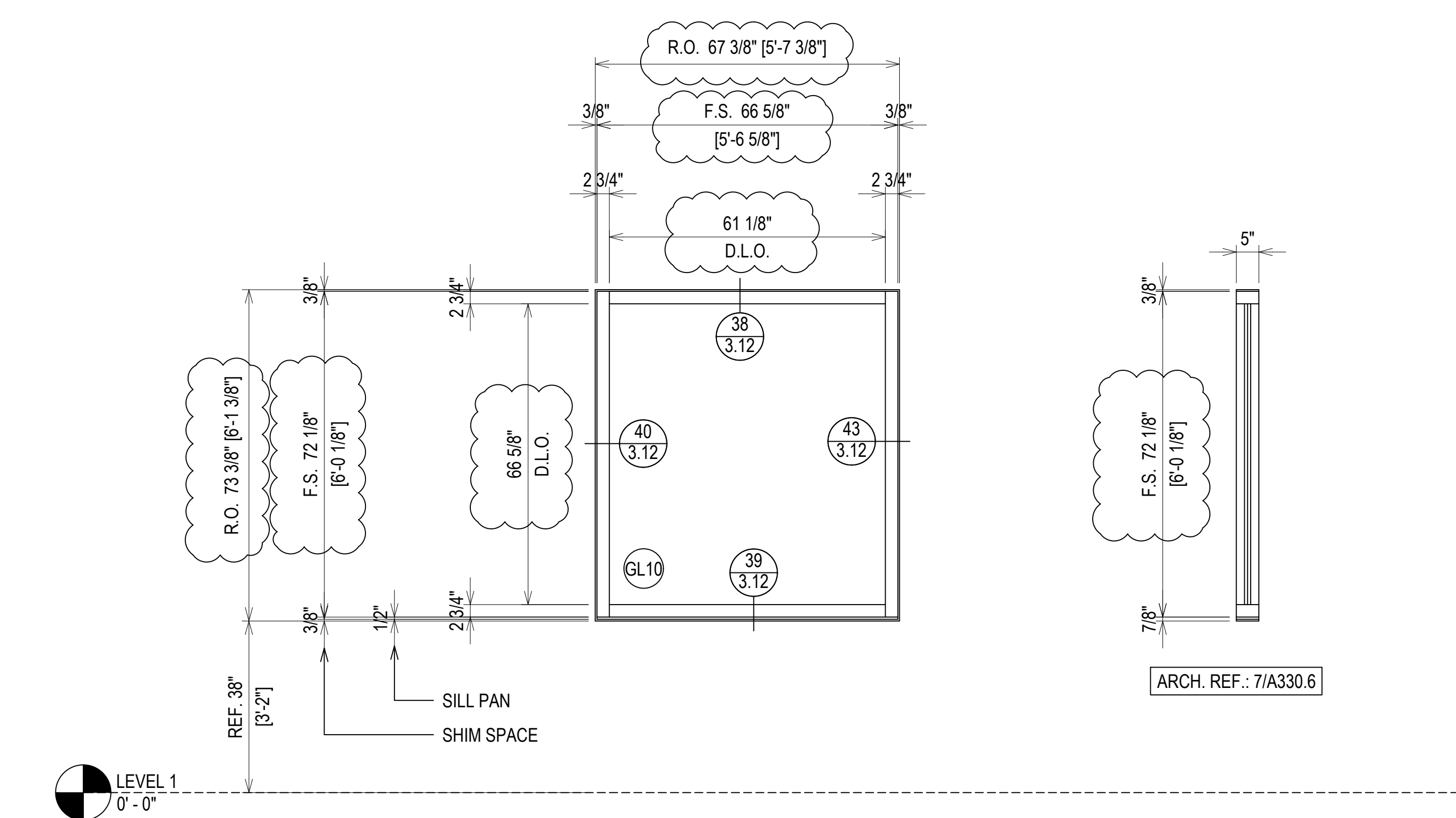




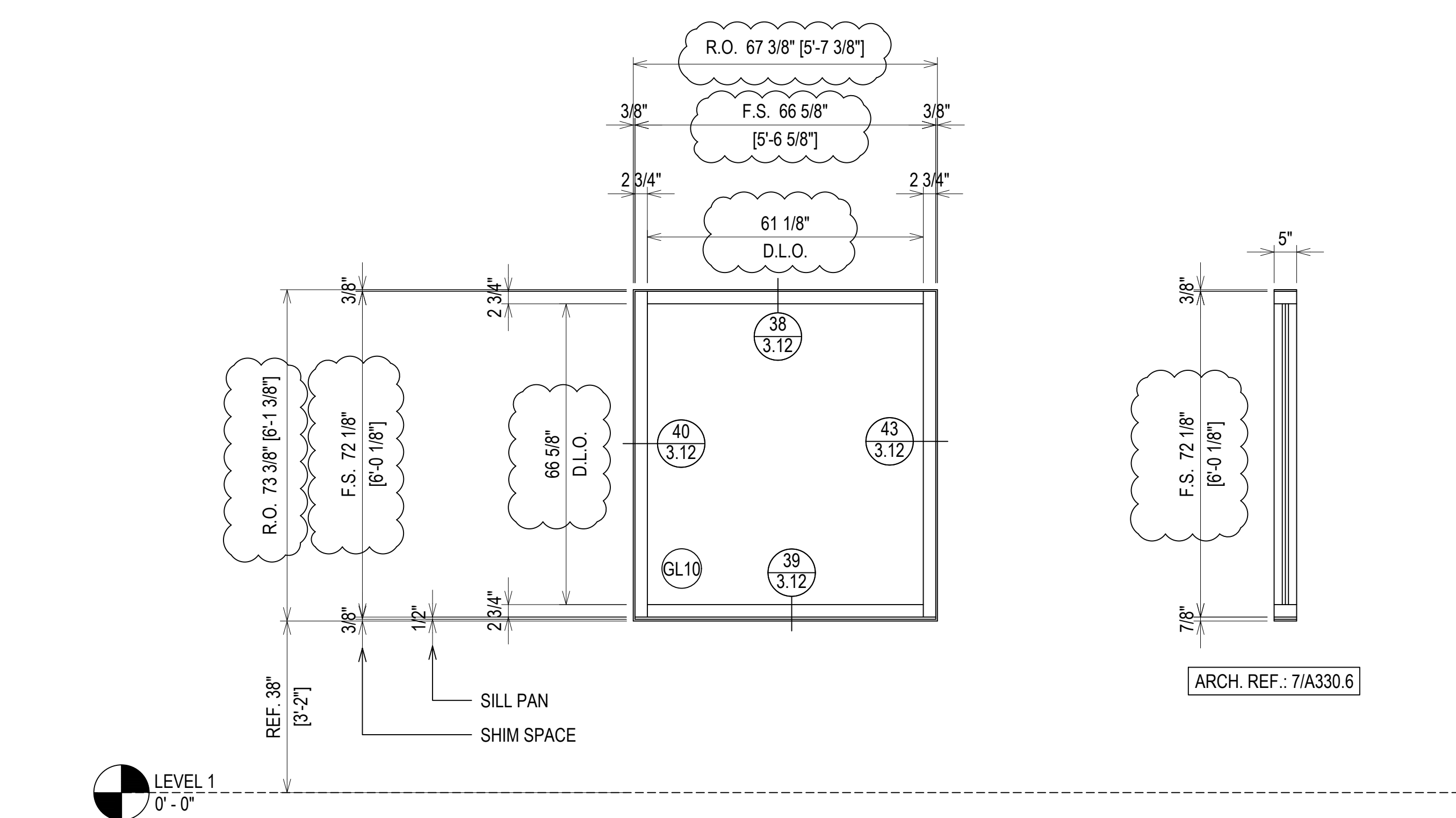
**ELEVATION W.IN.07**  
 SCALE: 1/2" = 1'-0"  
 KAWNEER IR501UT - 2 3/4" X 5"  
 EXTERIOR STOREFRONT  
 1 5/16" LAMINATED GLASS (CENTER SET)  
 QUANTITY: 1



**ELEVATION W.IN.10**  
 SCALE: 1/2" = 1'-0"  
 KAWNEER IR501UT - 2 3/4" X 5"  
 EXTERIOR STOREFRONT  
 1 5/16" LAMINATED GLASS (CENTER SET)  
 QUANTITY: 1



**ELEVATION W.IN.13**  
 SCALE: 1/2" = 1'-0"  
 KAWNEER IR501UT - 2 3/4" X 5"  
 EXTERIOR STOREFRONT  
 1 5/16" LAMINATED GLASS (CENTER SET)  
 QUANTITY: 1



**ELEVATION W.IN.14**  
 SCALE: 1/2" = 1'-0"  
 KAWNEER IR501UT - 2 3/4" X 5"  
 EXTERIOR STOREFRONT  
 1 5/16" LAMINATED GLASS (CENTER SET)  
 QUANTITY: 1

16TH REVISION BY CW	9/27/22
15TH REVISION BY CW	7/25/22
14TH REVISION BY CW	5/11/22
13TH REVISION BY CW	2/01/22
NO	DATE
DESCRIPTION	
DRAWING SUBMISSION	

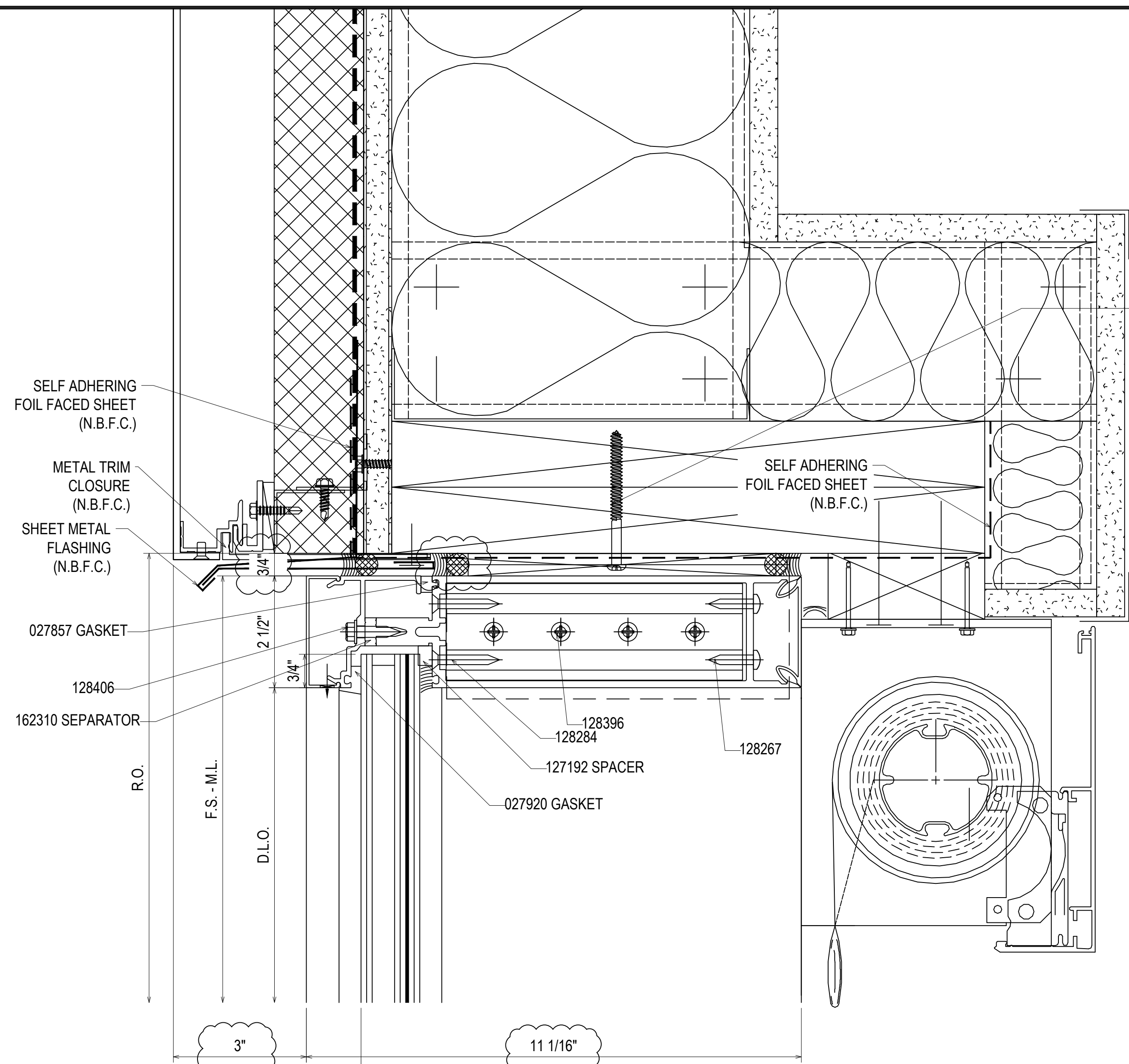
PROJECT: NHA5/6 DATA CENTER (EXTERIOR)	
LOCATION: HUNTSVILLE, ALABAMA	
ERECTOR: 1ST CHOICE GLASS	

PROJECT: NHA5/6 DATA CENTER (EXTERIOR)
LOCATION: HUNTSVILLE, ALABAMA
ERECTOR: 1ST CHOICE GLASS



DRAWN BY: DU	DATE: 6/17/21
CHECKED BY: TH	DATE: 6/17/21
JOB NO.:	

ERECTOR / G.C. NOTE:  
 PLEASE FIELD VERIFY ALL DIMENSIONS

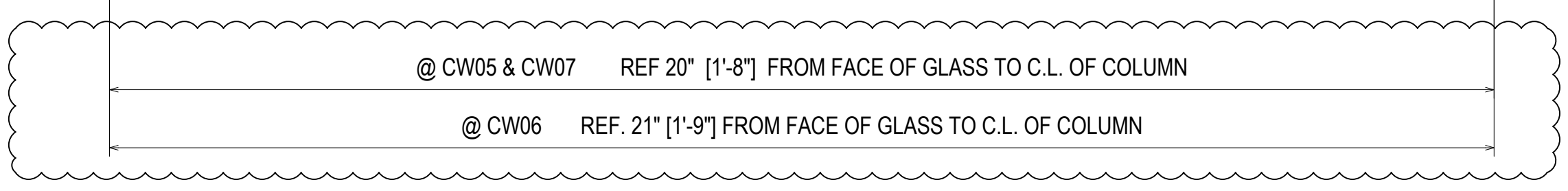


F-CLIP SECURED USING TWO 1/4-20 GRADE 5 SMS  
 MINIMUM FULL PENETRATION + 1/2"  
 MINIMUM 3/8" EDGE DISTANCE  
 MINIMUM 2" ANCHOR SPACING

T-CLIP SECURED USING EIGHT 1/4-20 GRADE 5 SMS  
 MINIMUM FULL PENETRATION + 1/2"  
 MINIMUM 3/8" EDGE DISTANCE  
 MINIMUM 2" ANCHOR SPACING  
 FOUR ANCHORS ON EACH SIDE OF MULLION

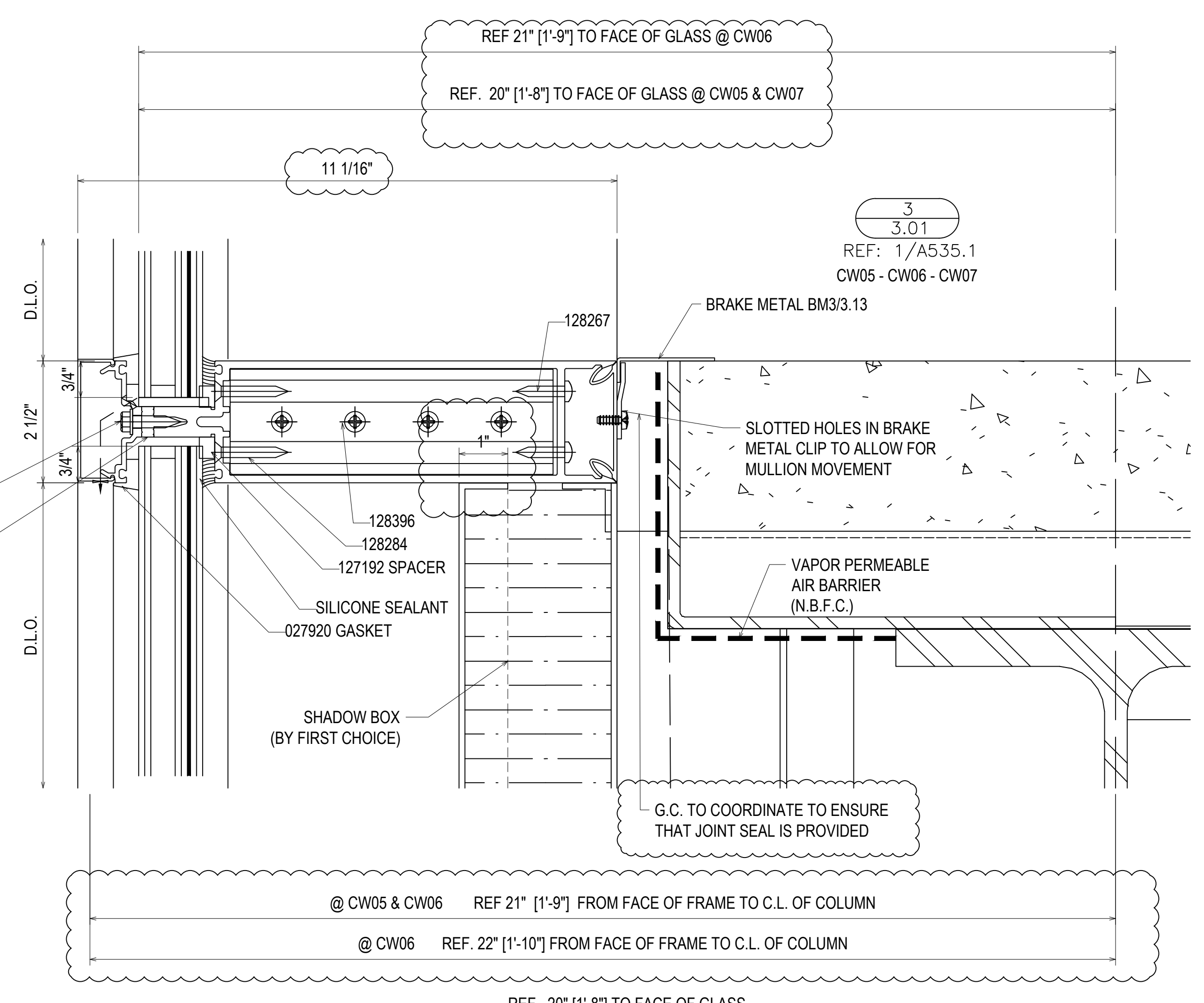
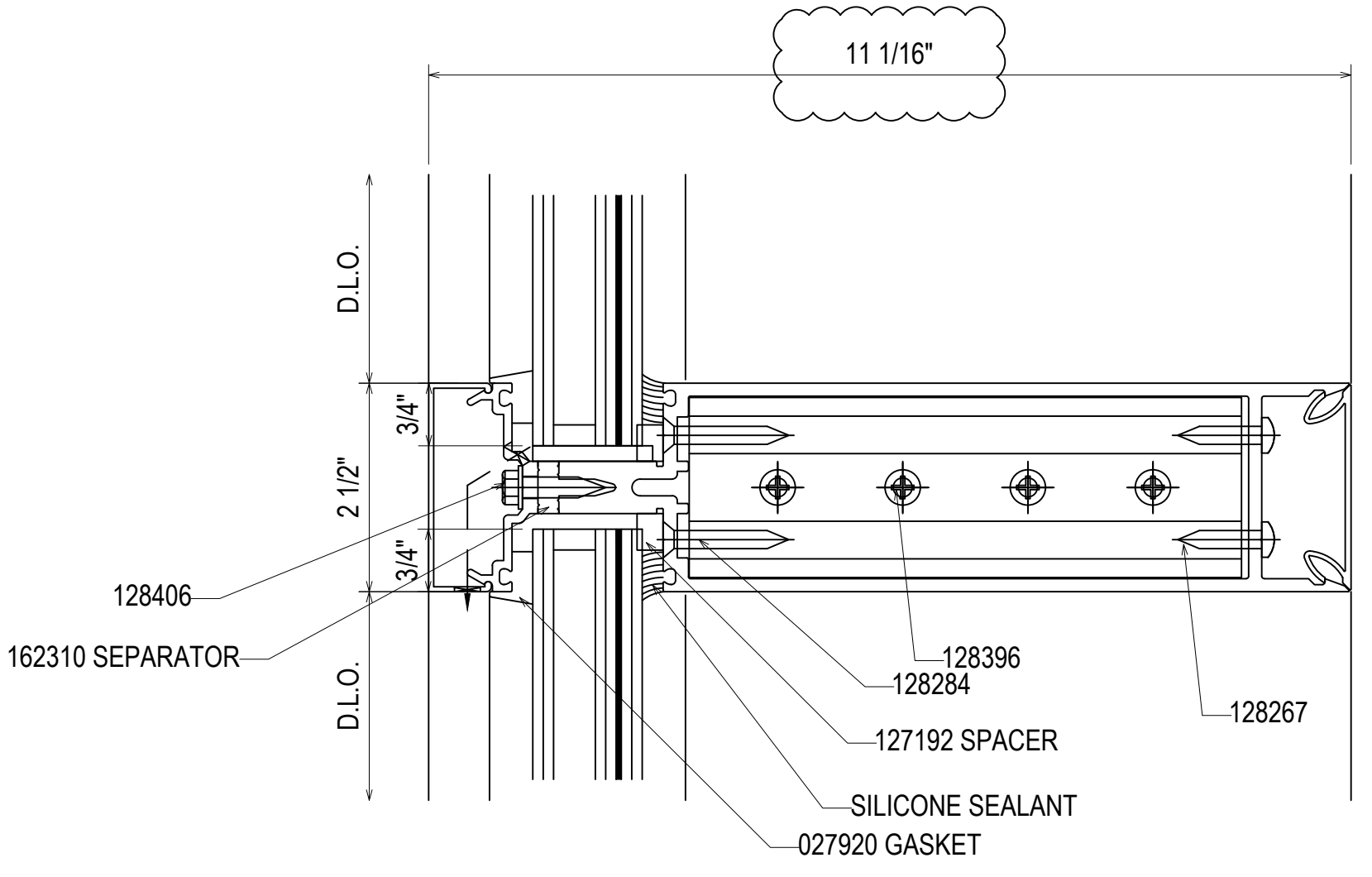
1  
 3.01  
 REF: 2/A535.4  
 CW05 - CW06 - CW07

- 162187 COVER
- 162528 PERIMETER OFFSET PRESSURE PLATE
- 162065 MULLION
- 128284 #12 X 1 1/2" AB FHTF
- 128396 #12 X 7/16" P.H.S.T.
- 162347 SHEAR BLOCK
- 128267 #12 X 1" P.H.S.T.
- 162071 COVER
- 162355 "T" ANCHOR
- 162354 "F" ANCHOR

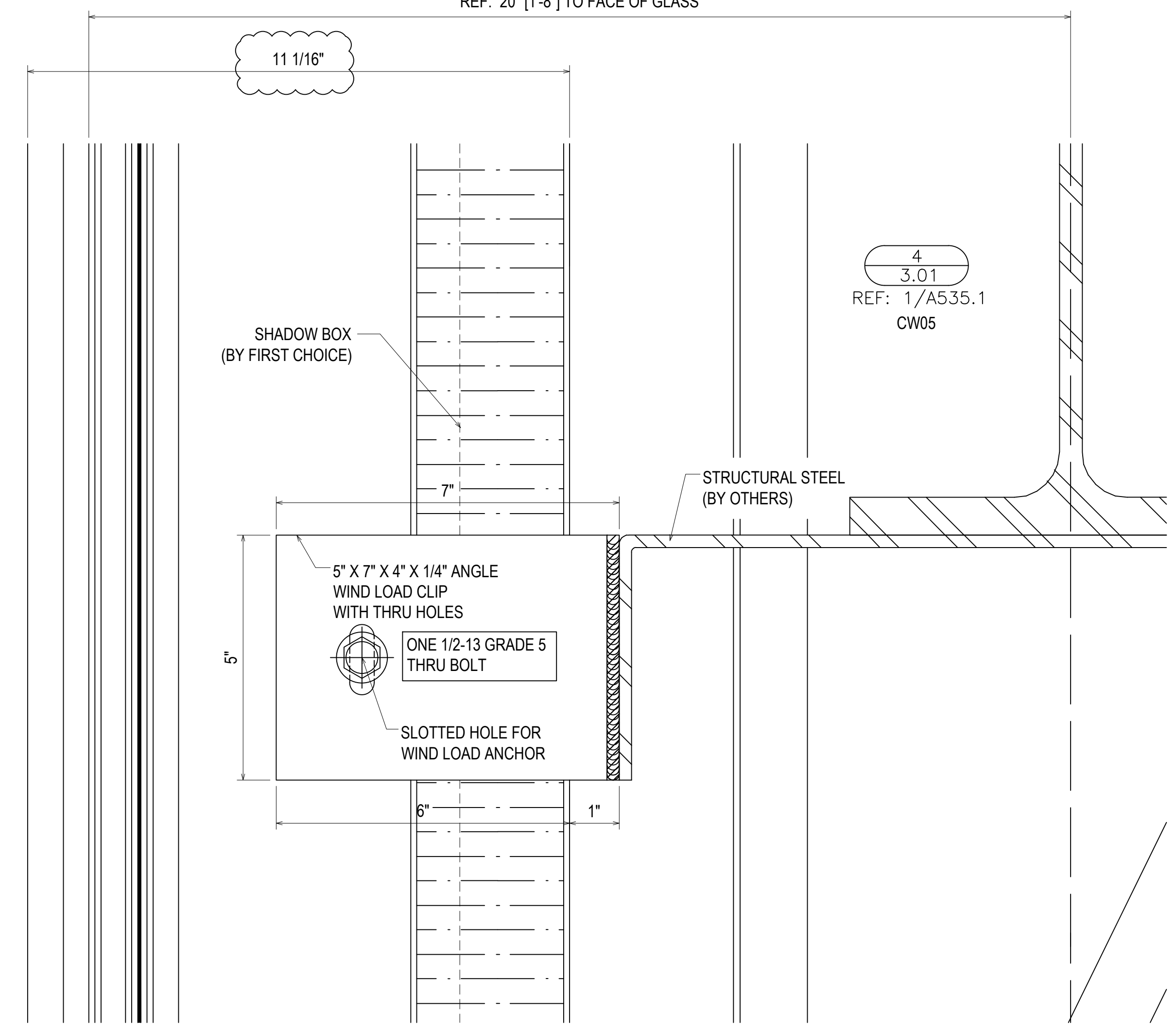
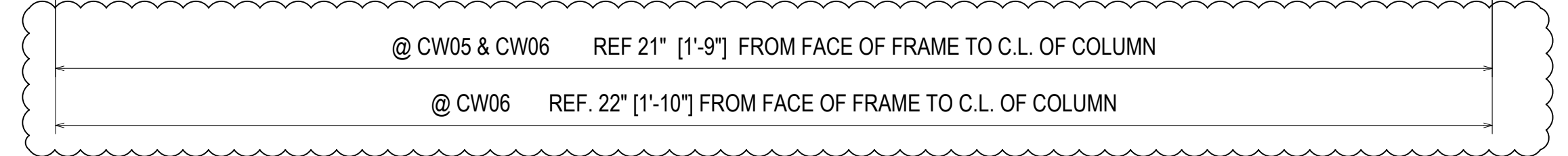


2  
 3.01  
 REF: N/A  
 TYPICAL HORIZONTAL

- 162187 COVER
- 162517 OFFSET PRESSURE PLATE
- 162065 MULLION
- 128284 #12 X 1 1/2" AB FHTF
- 128396 #12 X 7/16" P.H.S.T.
- 162347 SHEAR BLOCK
- 128267 #12 X 1" P.H.S.T.
- 162071 COVER



3  
 3.01  
 REF: 1/A535.1  
 CW05 - CW06 - CW07



4  
 3.01  
 REF: 1/A535.1  
 CW05

16TH REVISION BY CW	9/27/22
15TH REVISION BY CW	7/25/22
14TH REVISION BY CW	5/11/22
13TH REVISION BY CW	2/01/22
NO	DATE

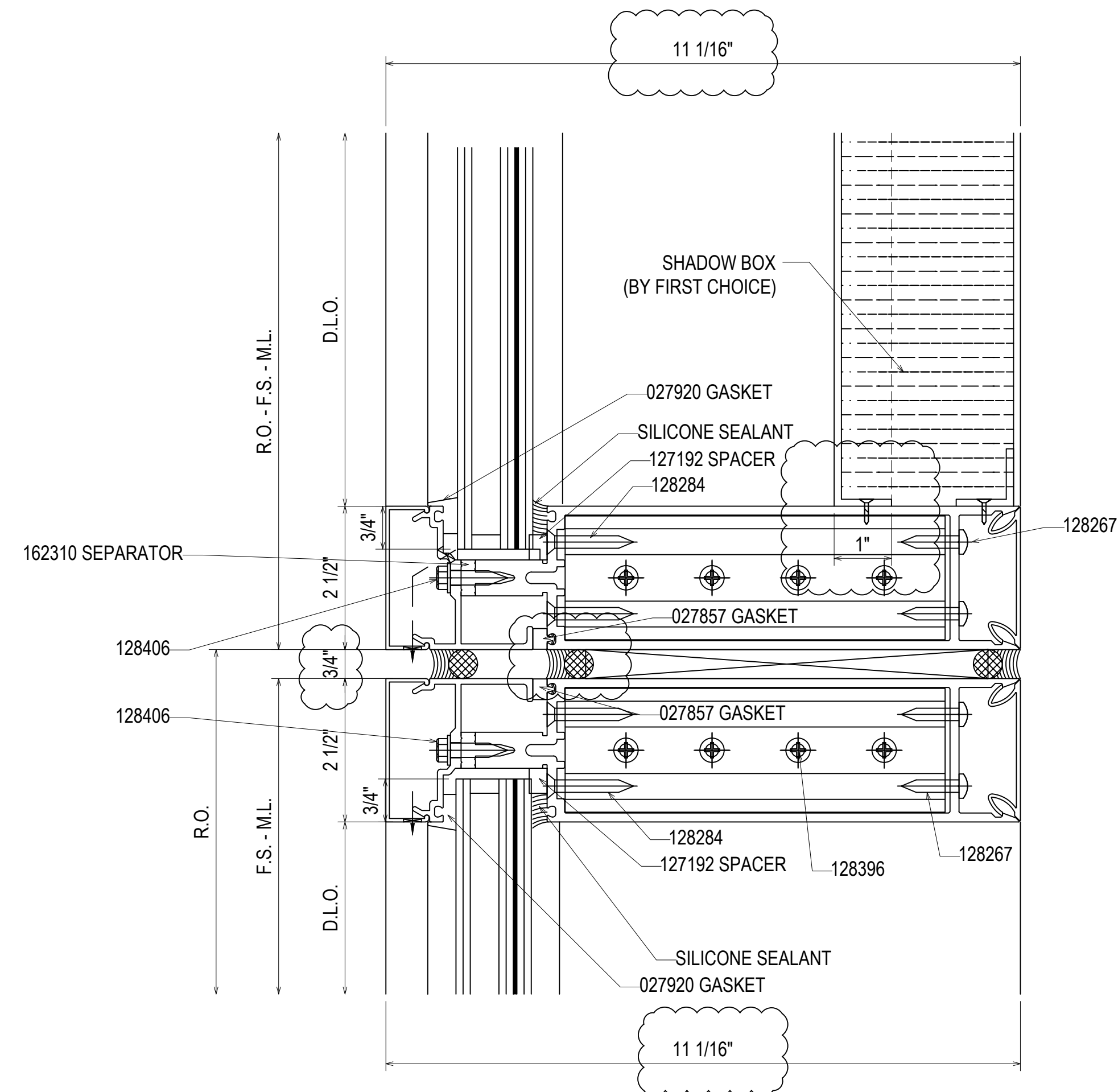
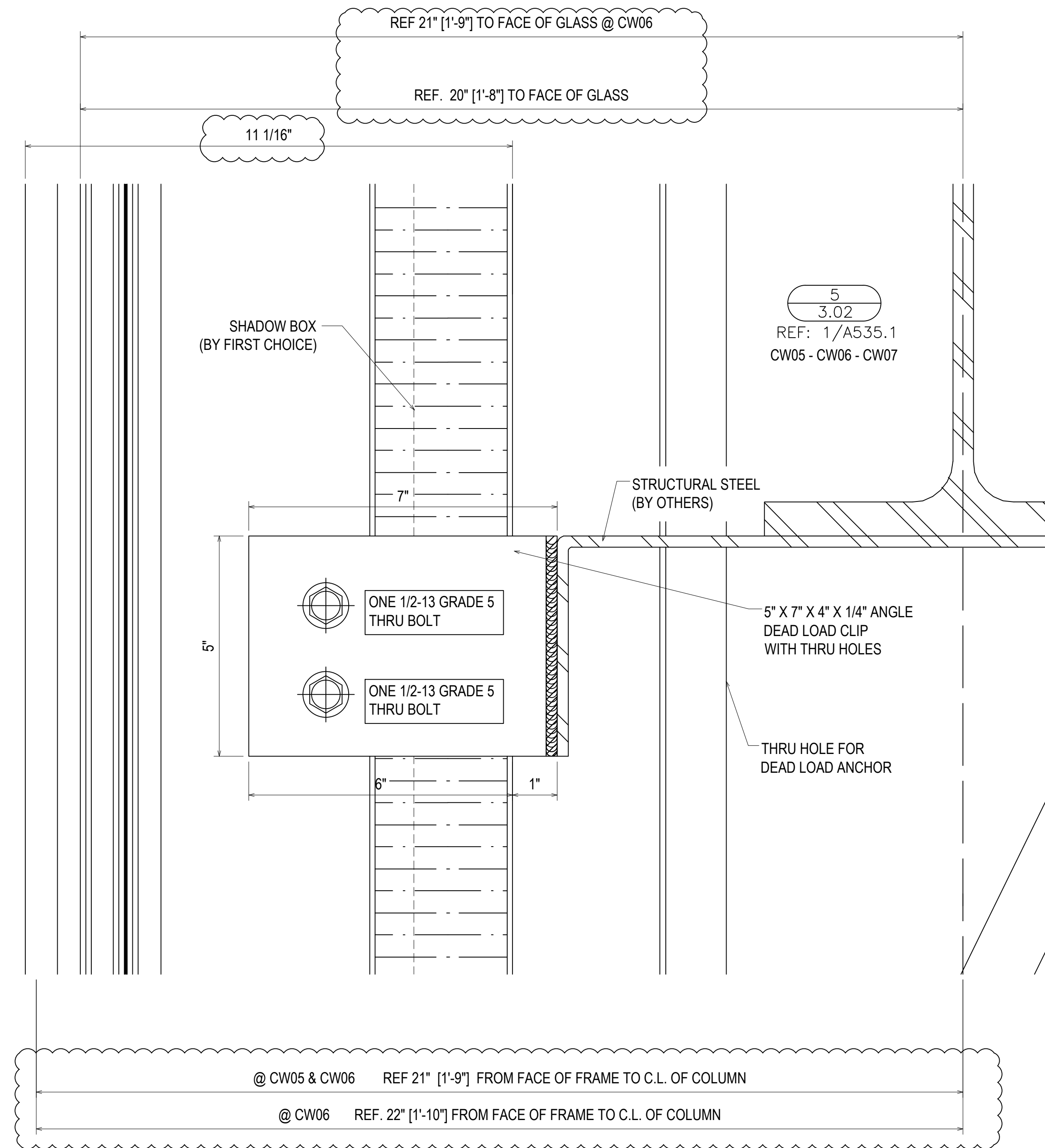
DRAWING SUBMISSION	
--------------------	--

PROJECT: NHA5/6 DATA CENTER (EXTERIOR)  
 LOCATION: HUNTSVILLE, ALABAMA  
 ERECTOR: 1ST CHOICE GLASS



DRAWN BY: DU	DATE: 6/17/21
CHECKED BY: TH	DATE: 6/17/21
JOB NO.:	

SHEET NO.: 3.01



7  
3.02  
REF: N/A  
CW01 - CW05

- 162187 COVER
- 162528 PERIMETER OFFSET PRESSURE PLATE
- 162065 MULLION
- 128284 #12 X 1 1/2" AB FHTF
- 128396 #12 X 7/16" P.H.S.T.
- 162347 SHEAR BLOCK
- 128267 #12 X 1" P.H.S.T.
- 162071 COVER

8  
3.02  
REF: 4/A535.4  
CW01 - CW02A - CW02B  
CW02C - CW03

- 162187 COVER
- 162528 PERIMETER OFFSET PRESSURE PLATE
- 162065 MULLION
- 128284 #12 X 1 1/2" AB FHTF
- 128396 #12 X 7/16" P.H.S.T.
- 162347 SHEAR BLOCK
- 128267 #12 X 1" P.H.S.T.
- 162071 COVER
- 162355 "T" ANCHOR
- 162354 "F" ANCHOR

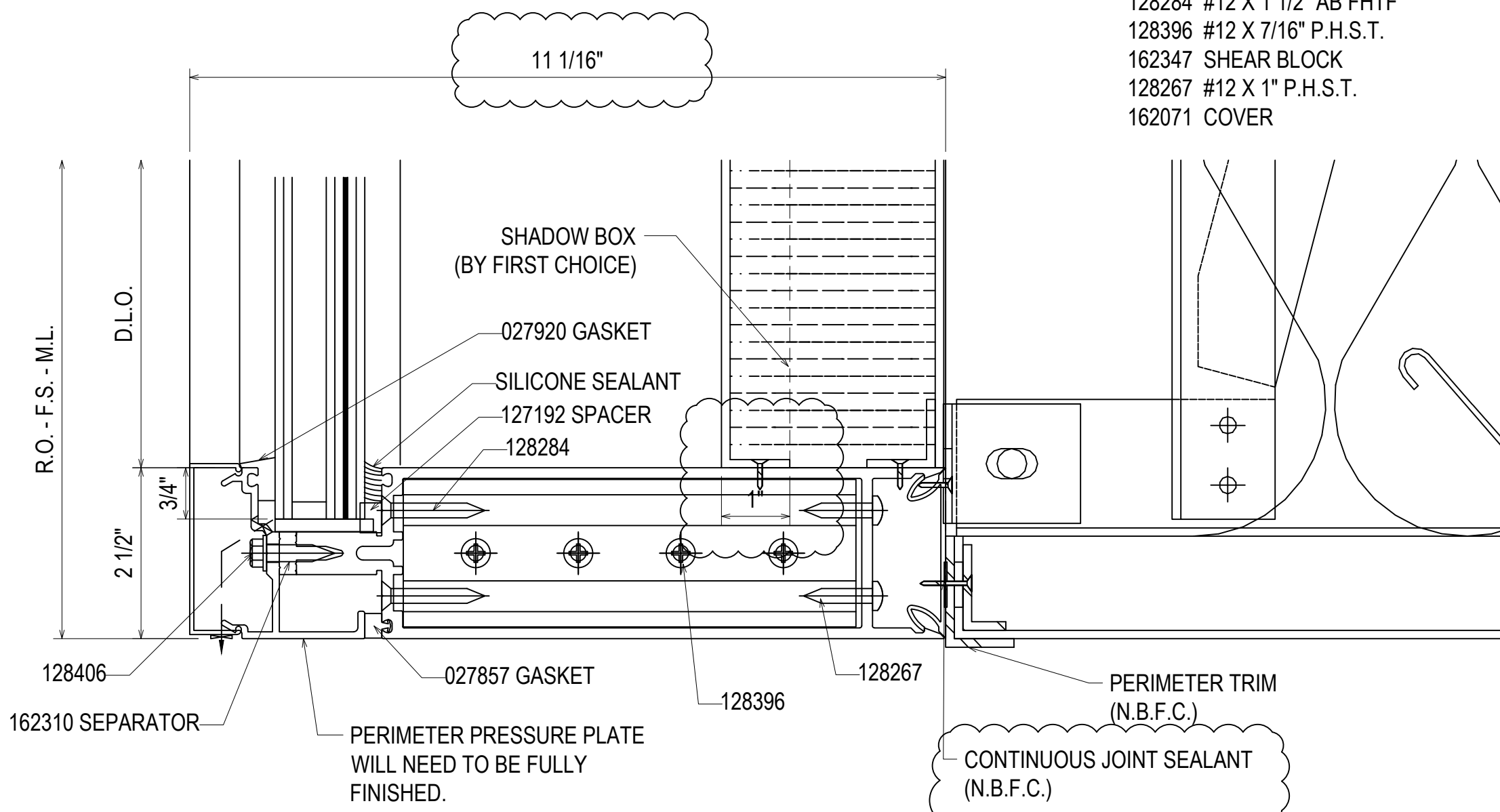
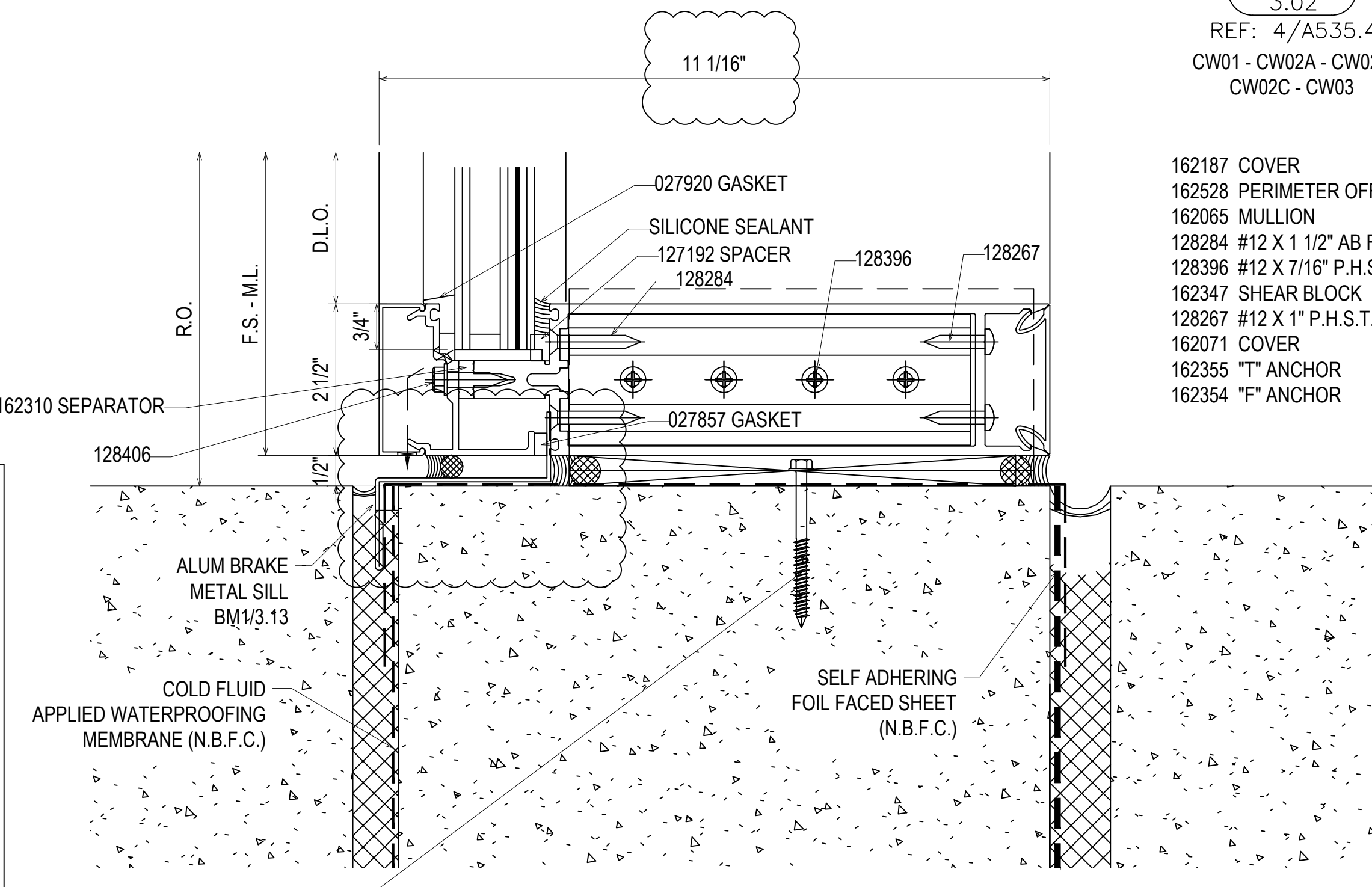
6  
3.02  
REF: 1/A535.4  
CW05 - CW06 - CW07

- 162187 COVER
- 162528 PERIMETER OFFSET PRESSURE PLATE
- 162065 MULLION
- 128284 #12 X 1 1/2" AB FHTF
- 128396 #12 X 7/16" P.H.S.T.
- 162347 SHEAR BLOCK
- 128267 #12 X 1" P.H.S.T.
- 162071 COVER

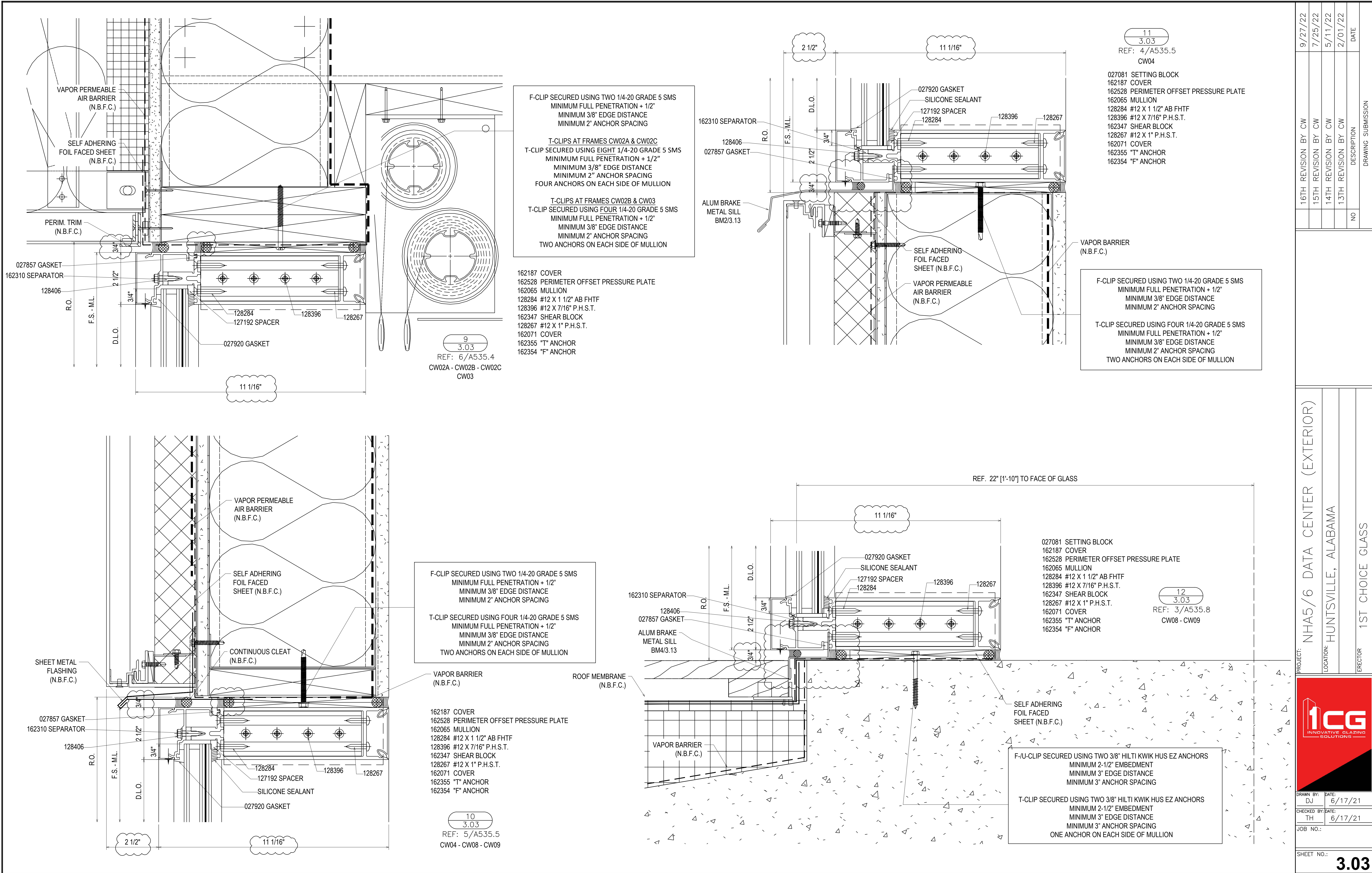
F-U-CLIP SECURED USING TWO 3/8" HILTI KWIK HUS EZ ANCHORS  
MINIMUM 2-1/2" EMBEDMENT  
MINIMUM 3" EDGE DISTANCE  
MINIMUM 3" ANCHOR SPACING

T CLIPS @ FRAMES CW01, CW02A & CW02C  
T-CLIP SECURED USING FOUR 3/8" HILTI KWIK HUS EZ ANCHORS  
MINIMUM 2-1/2" EMBEDMENT  
MINIMUM 3" EDGE DISTANCE  
MINIMUM 3" ANCHOR SPACING  
TWO ANCHORS ON EACH SIDE OF MULLION

T CLIPS @ FRAME CW02B & CW03  
T-CLIP SECURED USING TWO 3/8" HILTI KWIK HUS EZ ANCHORS  
MINIMUM 2-1/2" EMBEDMENT  
MINIMUM 3" EDGE DISTANCE  
MINIMUM 3" ANCHOR SPACING  
ONE ANCHOR ON EACH SIDE OF MULLION



PROJECT:	NHA5/6 DATA CENTER (EXTERIOR)
LOCATION:	HUNTSVILLE, ALABAMA
ERECTOR:	1ST CHOICE GLASS
16TH REVISION BY CW	9/27/22
15TH REVISION BY CW	7/25/22
14TH REVISION BY CW	5/11/22
13TH REVISION BY CW	2/01/22
NO	DATE
DRAWING SUBMISSION	
SHEET NO.: <b>3.02</b>	



F-CLIP SECURED USING TWO 1/4-20 GRADE 5 SMS  
 MINIMUM FULL PENETRATION + 1/2"  
 MINIMUM 3/8" EDGE DISTANCE  
 MINIMUM 2" ANCHOR SPACING

T-CLIPS AT FRAMES CW02A & CW02C  
 T-CLIP SECURED USING EIGHT 1/4-20 GRADE 5 SMS  
 MINIMUM FULL PENETRATION + 1/2"  
 MINIMUM 3/8" EDGE DISTANCE  
 MINIMUM 2" ANCHOR SPACING  
 FOUR ANCHORS ON EACH SIDE OF MULLION

T-CLIPS AT FRAMES CW02B & CW03  
 T-CLIP SECURED USING FOUR 1/4-20 GRADE 5 SMS  
 MINIMUM FULL PENETRATION + 1/2"  
 MINIMUM 3/8" EDGE DISTANCE  
 MINIMUM 2" ANCHOR SPACING  
 TWO ANCHORS ON EACH SIDE OF MULLION

162187 COVER  
 162528 PERIMETER OFFSET PRESSURE PLATE  
 162065 MULLION  
 128284 #12 X 1 1/2" AB FHTF  
 128396 #12 X 7/16" P.H.S.T.  
 162347 SHEAR BLOCK  
 128267 #12 X 1" P.H.S.T.  
 162071 COVER  
 162355 "T" ANCHOR  
 162354 "F" ANCHOR

9  
 3.03  
 REF: 6/A535.4  
 CW02A - CW02B - CW02C  
 CW03

11  
 3.03  
 REF: 4/A535.5  
 CW04

027081 SETTING BLOCK  
 162187 COVER  
 162528 PERIMETER OFFSET PRESSURE PLATE  
 162065 MULLION  
 128284 #12 X 1 1/2" AB FHTF  
 128396 #12 X 7/16" P.H.S.T.  
 162347 SHEAR BLOCK  
 128267 #12 X 1" P.H.S.T.  
 162071 COVER  
 162355 "T" ANCHOR  
 162354 "F" ANCHOR

F-CLIP SECURED USING TWO 1/4-20 GRADE 5 SMS  
 MINIMUM FULL PENETRATION + 1/2"  
 MINIMUM 3/8" EDGE DISTANCE  
 MINIMUM 2" ANCHOR SPACING

T-CLIP SECURED USING FOUR 1/4-20 GRADE 5 SMS  
 MINIMUM FULL PENETRATION + 1/2"  
 MINIMUM 3/8" EDGE DISTANCE  
 MINIMUM 2" ANCHOR SPACING  
 TWO ANCHORS ON EACH SIDE OF MULLION

F-CLIP SECURED USING TWO 1/4-20 GRADE 5 SMS  
 MINIMUM FULL PENETRATION + 1/2"  
 MINIMUM 3/8" EDGE DISTANCE  
 MINIMUM 2" ANCHOR SPACING

T-CLIP SECURED USING FOUR 1/4-20 GRADE 5 SMS  
 MINIMUM FULL PENETRATION + 1/2"  
 MINIMUM 3/8" EDGE DISTANCE  
 MINIMUM 2" ANCHOR SPACING  
 TWO ANCHORS ON EACH SIDE OF MULLION

162187 COVER  
 162528 PERIMETER OFFSET PRESSURE PLATE  
 162065 MULLION  
 128284 #12 X 1 1/2" AB FHTF  
 128396 #12 X 7/16" P.H.S.T.  
 162347 SHEAR BLOCK  
 128267 #12 X 1" P.H.S.T.  
 162071 COVER  
 162355 "T" ANCHOR  
 162354 "F" ANCHOR

10  
 3.03  
 REF: 5/A535.5  
 CW04 - CW08 - CW09

027081 SETTING BLOCK  
 162187 COVER  
 162528 PERIMETER OFFSET PRESSURE PLATE  
 162065 MULLION  
 128284 #12 X 1 1/2" AB FHTF  
 128396 #12 X 7/16" P.H.S.T.  
 162347 SHEAR BLOCK  
 128267 #12 X 1" P.H.S.T.  
 162071 COVER  
 162355 "T" ANCHOR  
 162354 "F" ANCHOR

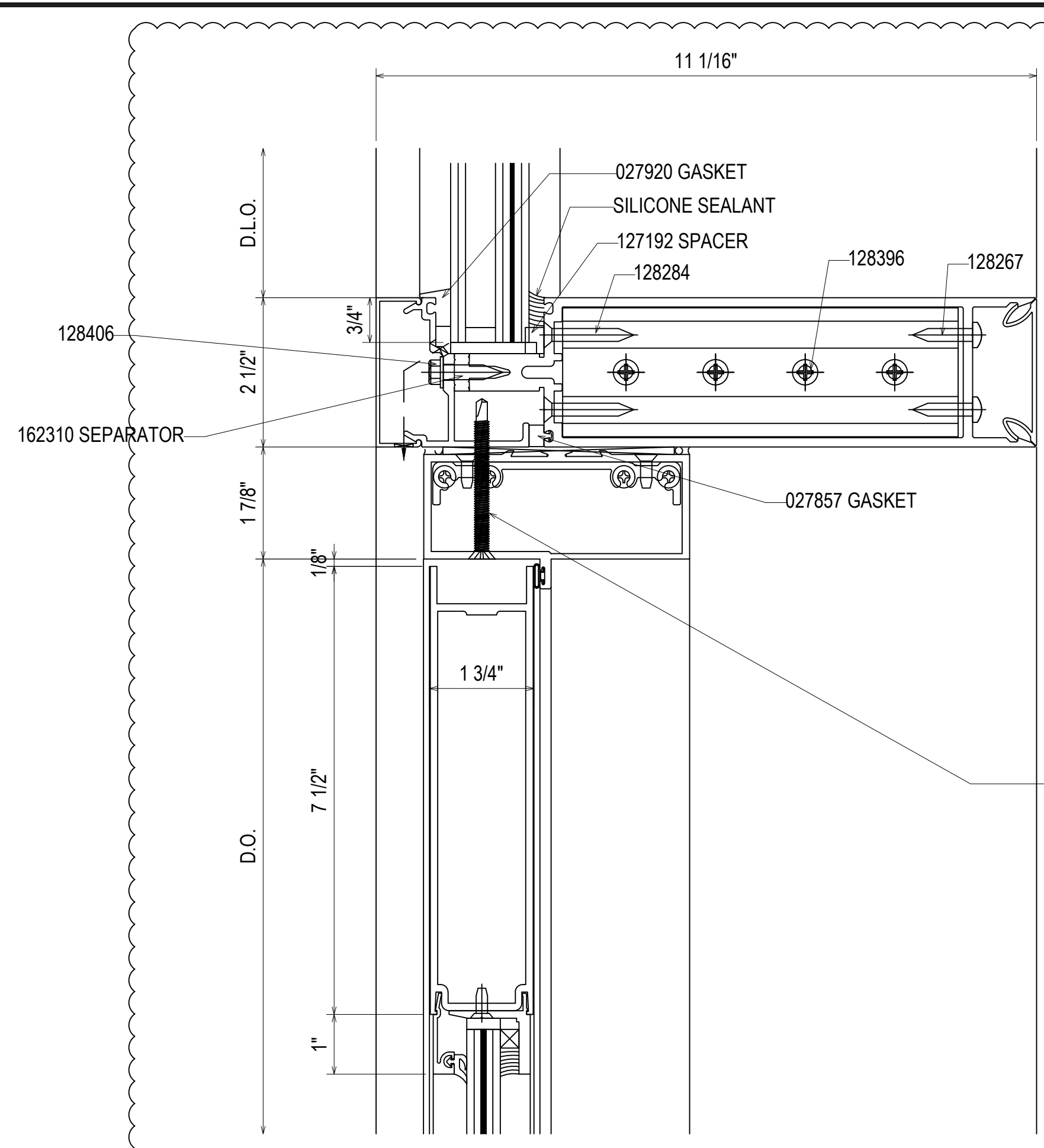
F-U-CLIP SECURED USING TWO 3/8" HILTI KWIK HUS EZ ANCHORS  
 MINIMUM 2-1/2" EMBEDMENT  
 MINIMUM 3" EDGE DISTANCE  
 MINIMUM 3" ANCHOR SPACING

T-CLIP SECURED USING TWO 3/8" HILTI KWIK HUS EZ ANCHORS  
 MINIMUM 2-1/2" EMBEDMENT  
 MINIMUM 3" EDGE DISTANCE  
 MINIMUM 3" ANCHOR SPACING  
 ONE ANCHOR ON EACH SIDE OF MULLION

PROJECT:	NHA5/6 DATA CENTER (EXTERIOR)
LOCATION:	HUNTSVILLE, ALABAMA
ERECTOR:	1ST CHOICE GLASS
DATE:	9/27/22
REVISION:	16TH REVISION BY CW
REVISION:	15TH REVISION BY CW
REVISION:	14TH REVISION BY CW
REVISION:	13TH REVISION BY CW
NO.	NO
DESCRIPTION:	DATE
DRAWING SUBMISSION	
SHEET NO.: 3.03	



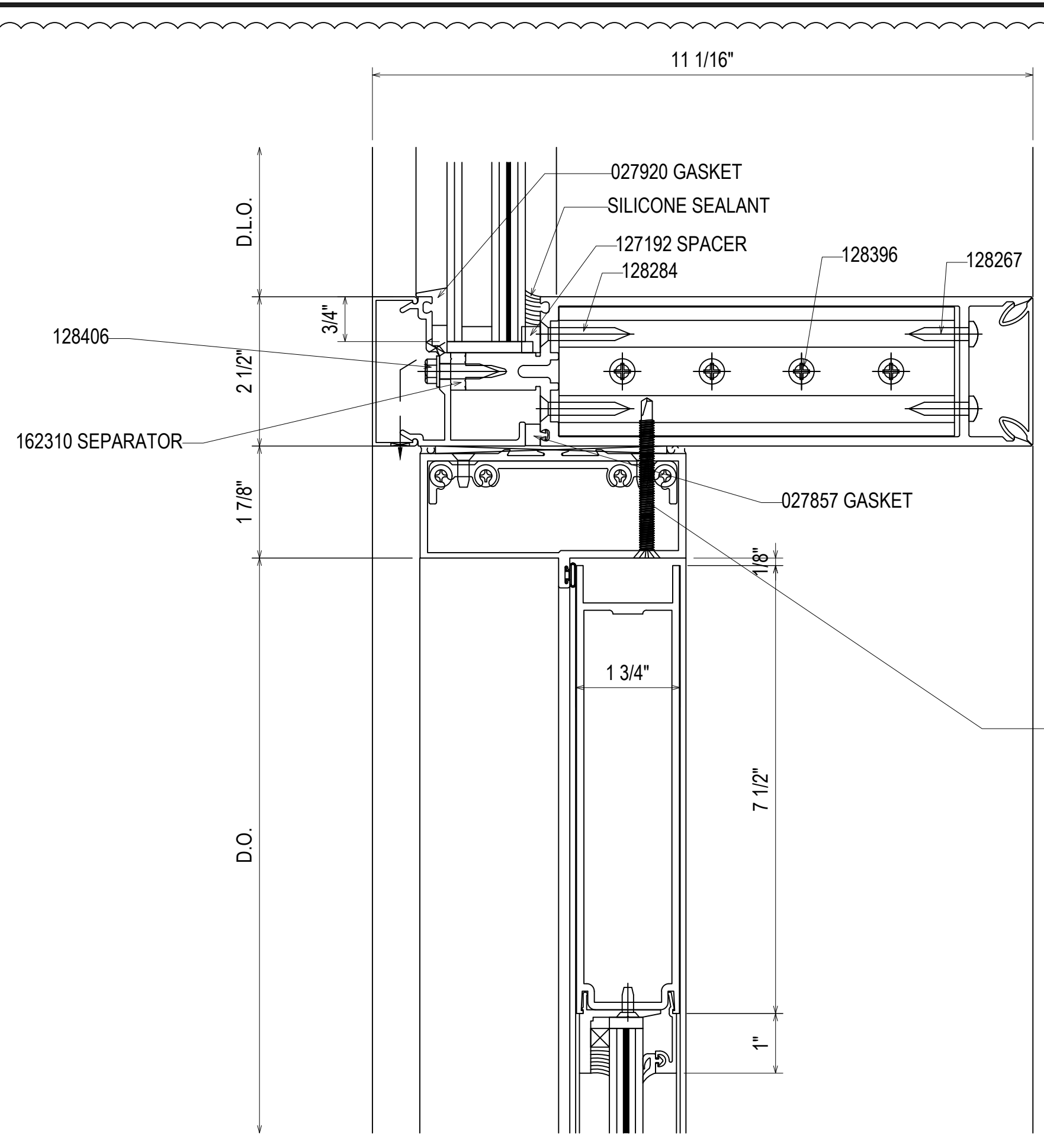
DRAWN BY: DU DATE: 6/17/21  
 CHECKED BY: TH DATE: 6/17/21  
 JOB NO.:



- 027081 SETTING BLOCK
- 162187 COVER
- 162528 PERIMETER OFFSET PRESSURE PLATE
- 162065 MULLION
- 128284 #12 X 1 1/2" AB FHTF
- 128396 #12 X 7/16" P.H.S.T.
- 162347 SHEAR BLOCK
- 128267 #12 X 1" P.H.S.T.
- 162071 COVER
- 450502 T-BAR W/ 027078 WEATHERING
- 450506 SHEAR BLOCK
- 200034 7 1/2 TOP DOOR RAIL

13  
3.04  
REF: N/A  
CW02B - CW03

#12-24 GRADE 5 SMS WITH A MINIMUM FULL PENETRATION + 1/2"  
MINIMUM 1" EDGE DISTANCE  
SPACED 3" FROM END AND 24" O.C. THEREAFTER

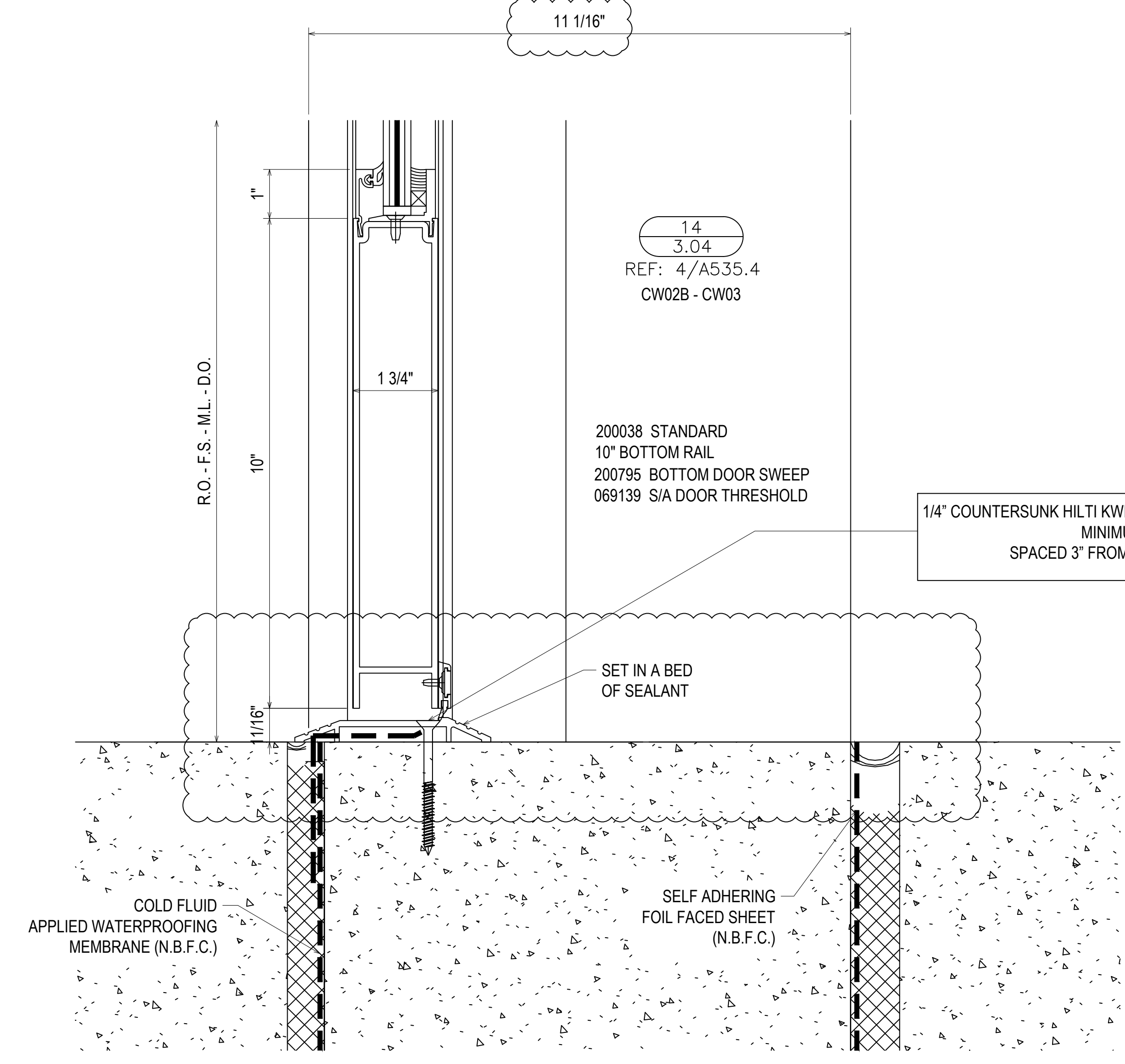


- 027081 SETTING BLOCK
- 162187 COVER
- 162528 PERIMETER OFFSET PRESSURE PLATE
- 162065 MULLION
- 128284 #12 X 1 1/2" AB FHTF
- 128396 #12 X 7/16" P.H.S.T.
- 162347 SHEAR BLOCK
- 128267 #12 X 1" P.H.S.T.
- 162071 COVER
- 450502 T-BAR W/ 027078 WEATHERING
- 450506 SHEAR BLOCK
- 200034 7 1/2 TOP DOOR RAIL

15  
3.04  
REF: N/A  
CW08 - CW09

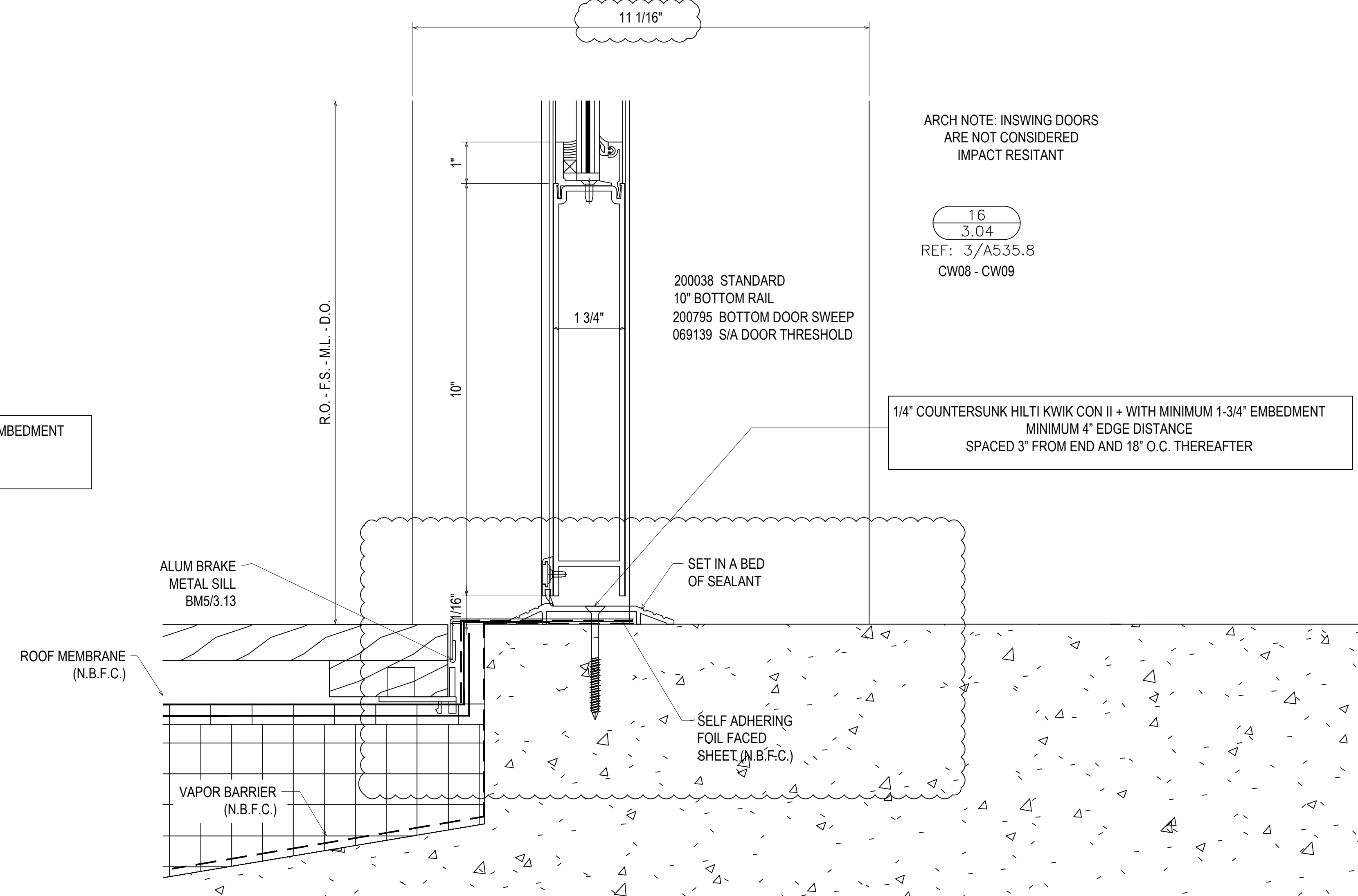
#12-24 GRADE 5 SMS WITH A MINIMUM FULL PENETRATION + 1/2"  
MINIMUM 1" EDGE DISTANCE  
SPACED 3" FROM END AND 24" O.C. THEREAFTER

ARCH NOTE: INSWING DOORS  
ARE NOT CONSIDERED  
IMPACT RESISTANT



14  
3.04  
REF: 4/A535.4  
CW02B - CW03

1/4" COUNTERSUNK HILTI KWIK CON II - WITH MINIMUM 1-3/4" EMBEDMENT  
MINIMUM 4" EDGE DISTANCE  
SPACED 3" FROM END AND 18" O.C. THEREAFTER

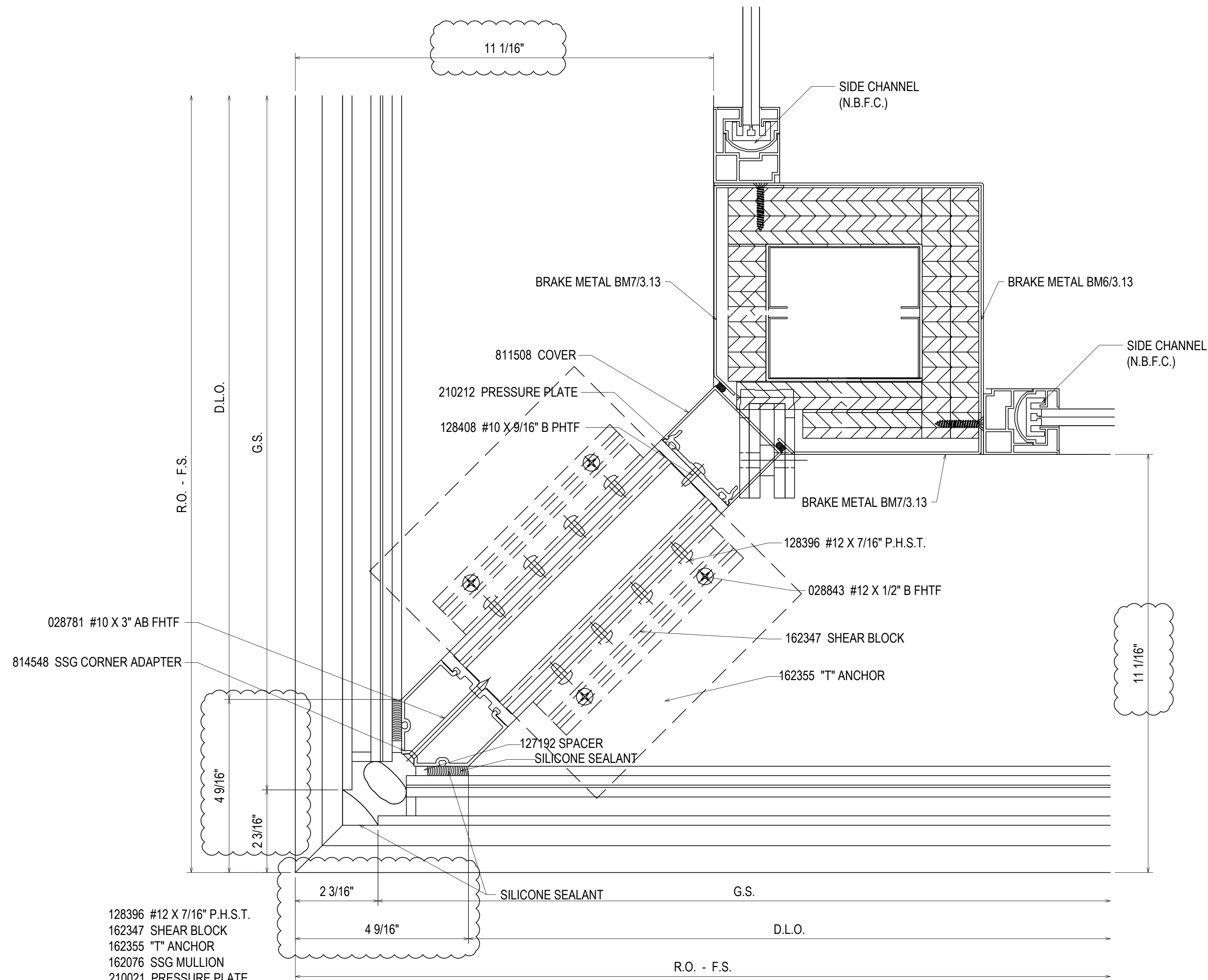


16  
3.04  
REF: 3/A535.8  
CW08 - CW09

1/4" COUNTERSUNK HILTI KWIK CON II - WITH MINIMUM 1-3/4" EMBEDMENT  
MINIMUM 4" EDGE DISTANCE  
SPACED 3" FROM END AND 18" O.C. THEREAFTER

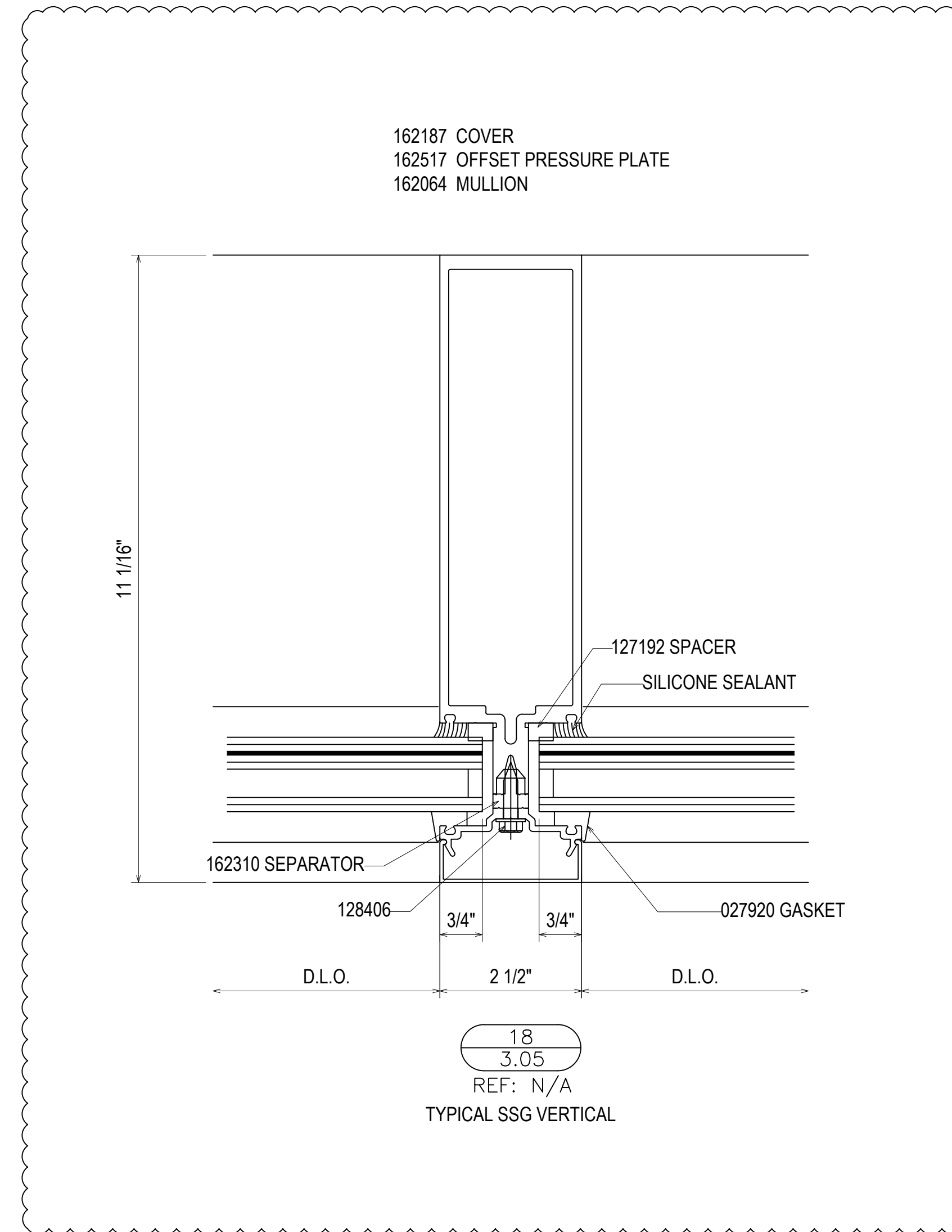
ARCH NOTE: INSWING DOORS  
ARE NOT CONSIDERED  
IMPACT RESISTANT

9/27/22	16TH REVISION BY CW	DESCRIPTION	DATE
7/25/22	15TH REVISION BY CW		
5/11/22	14TH REVISION BY CW		
2/01/22	13TH REVISION BY CW		
	NO		
DRAWING SUBMISSION			
PROJECT: NHA5/6 DATA CENTER (EXTERIOR)			
LOCATION: HUNTSVILLE, ALABAMA			
ERECTOR: 1ST CHOICE GLASS			
DRAWN BY:	DATE:		
DJ	6/17/21		
CHECKED BY:	DATE:		
TH	6/17/21		
JOB NO.:			
SHEET NO.:	<b>3.04</b>		



- 128396 #12 X 7/16\"/>

17  
 3.05  
 REF: 11/A535.4  
 CW01 - CW02A - CW02C - CW03



18  
 3.05  
 REF: N/A  
 TYPICAL SSG VERTICAL

	16TH REVISION BY CW	9/27/22
	15TH REVISION BY CW	7/25/22
	14TH REVISION BY CW	5/11/22
	13TH REVISION BY CW	2/01/22
NO	DESCRIPTION	DATE
DRAWING SUBMISSION		

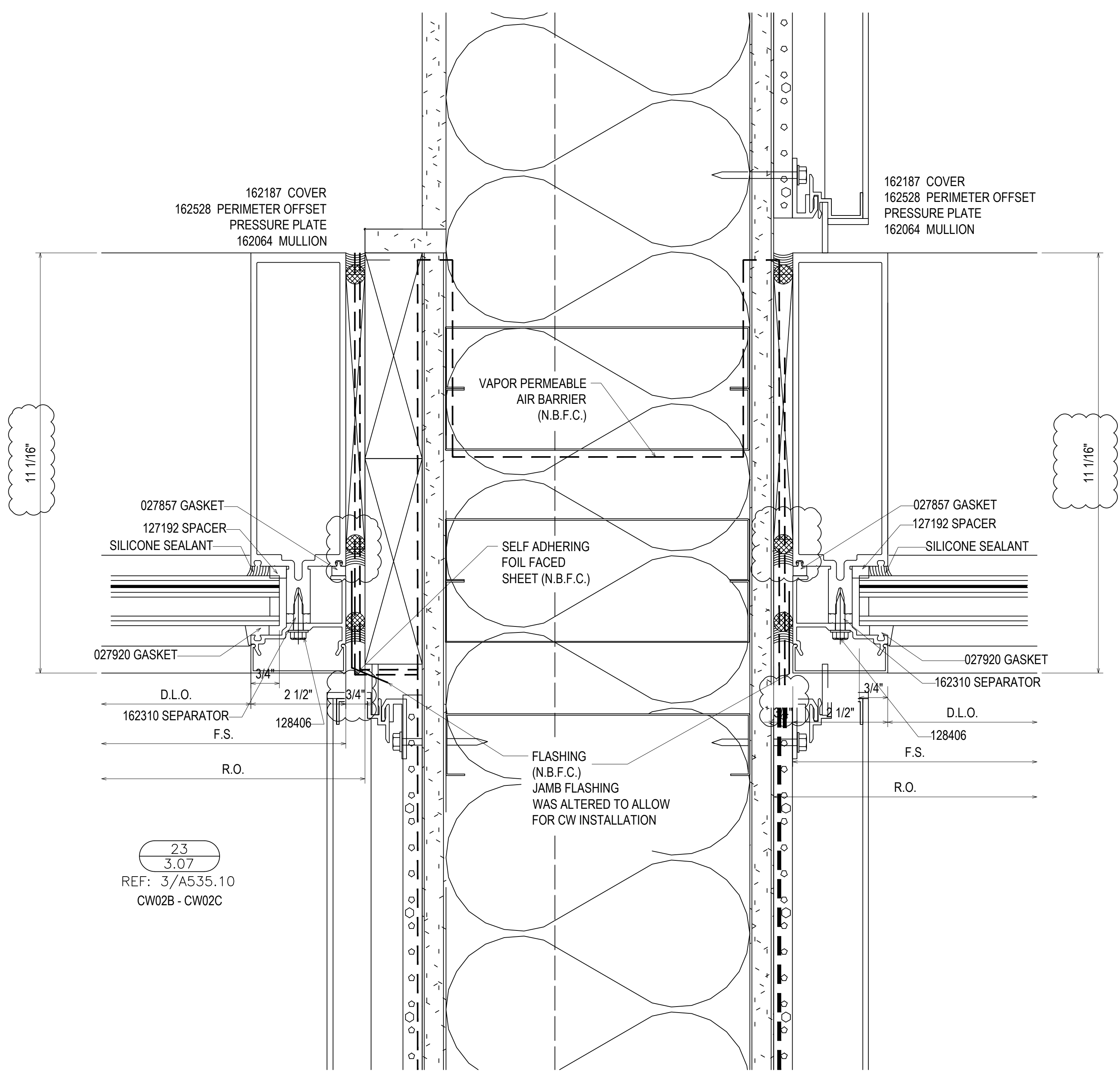
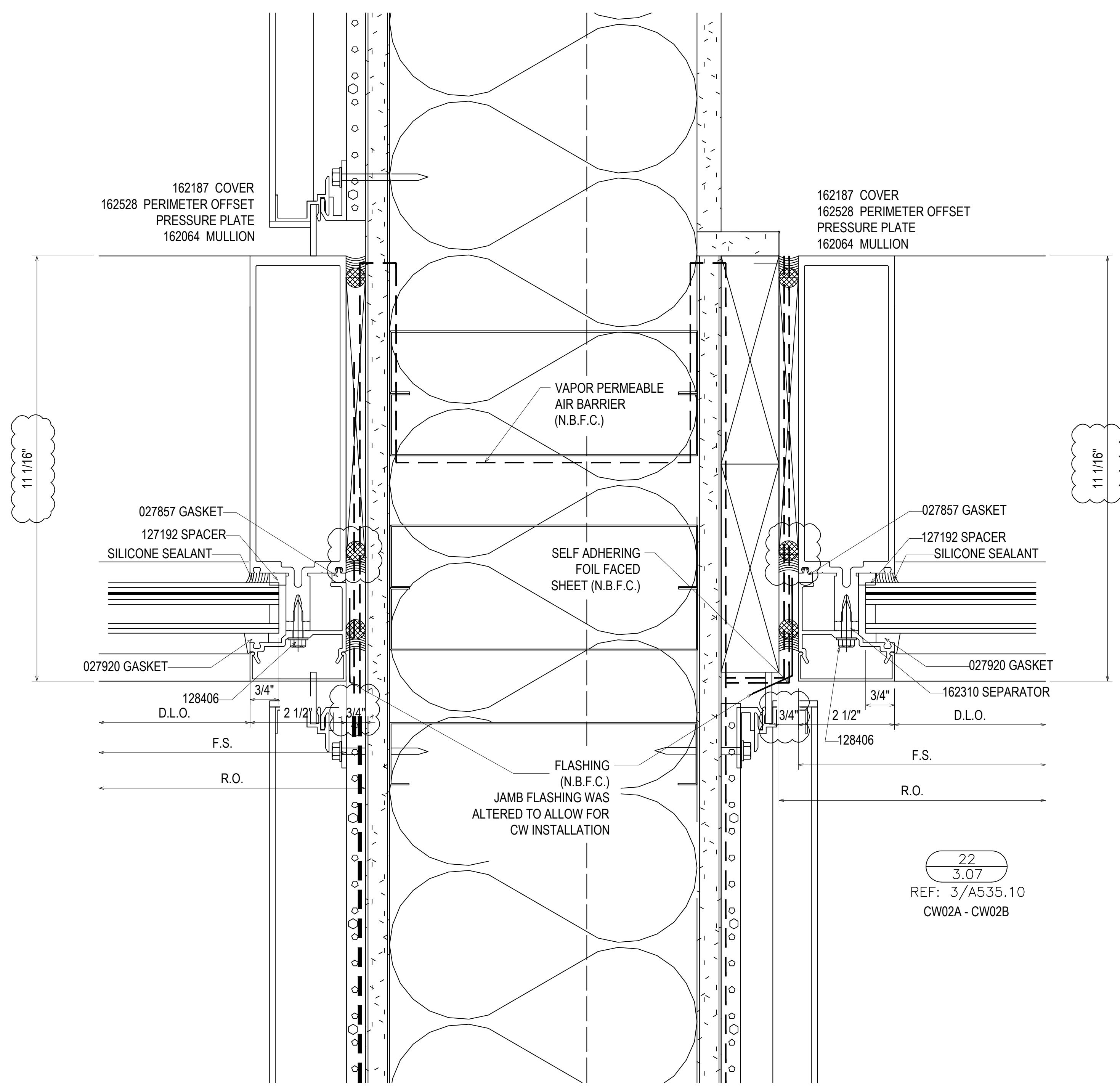
PROJECT: NHA5/6 DATA CENTER (EXTERIOR)  
 LOCATION: HUNTSVILLE, ALABAMA  
 ERECTOR: 1ST CHOICE GLASS



DRAWN BY: DJ	DATE: 6/17/21
CHECKED BY: TH	DATE: 6/17/21

JOB NO.:  
SHEET NO.: **3.05**





16TH REVISION BY CW	9/27/22
15TH REVISION BY CW	7/25/22
14TH REVISION BY CW	5/11/22
13TH REVISION BY CW	2/01/22
NO	DATE
DRAWING SUBMISSION	

PROJECT: NHA5/6 DATA CENTER (EXTERIOR)  
 LOCATION: HUNTSVILLE, ALABAMA  
 ERECTOR: 1ST CHOICE GLASS

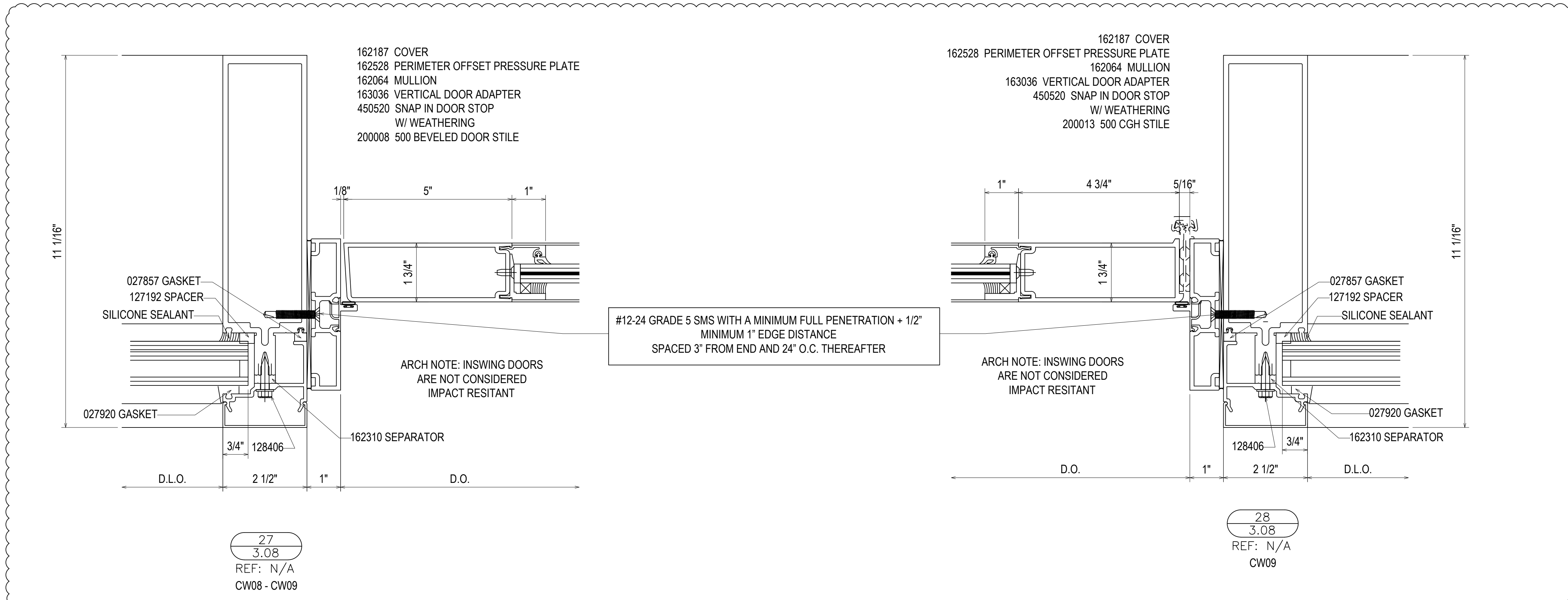
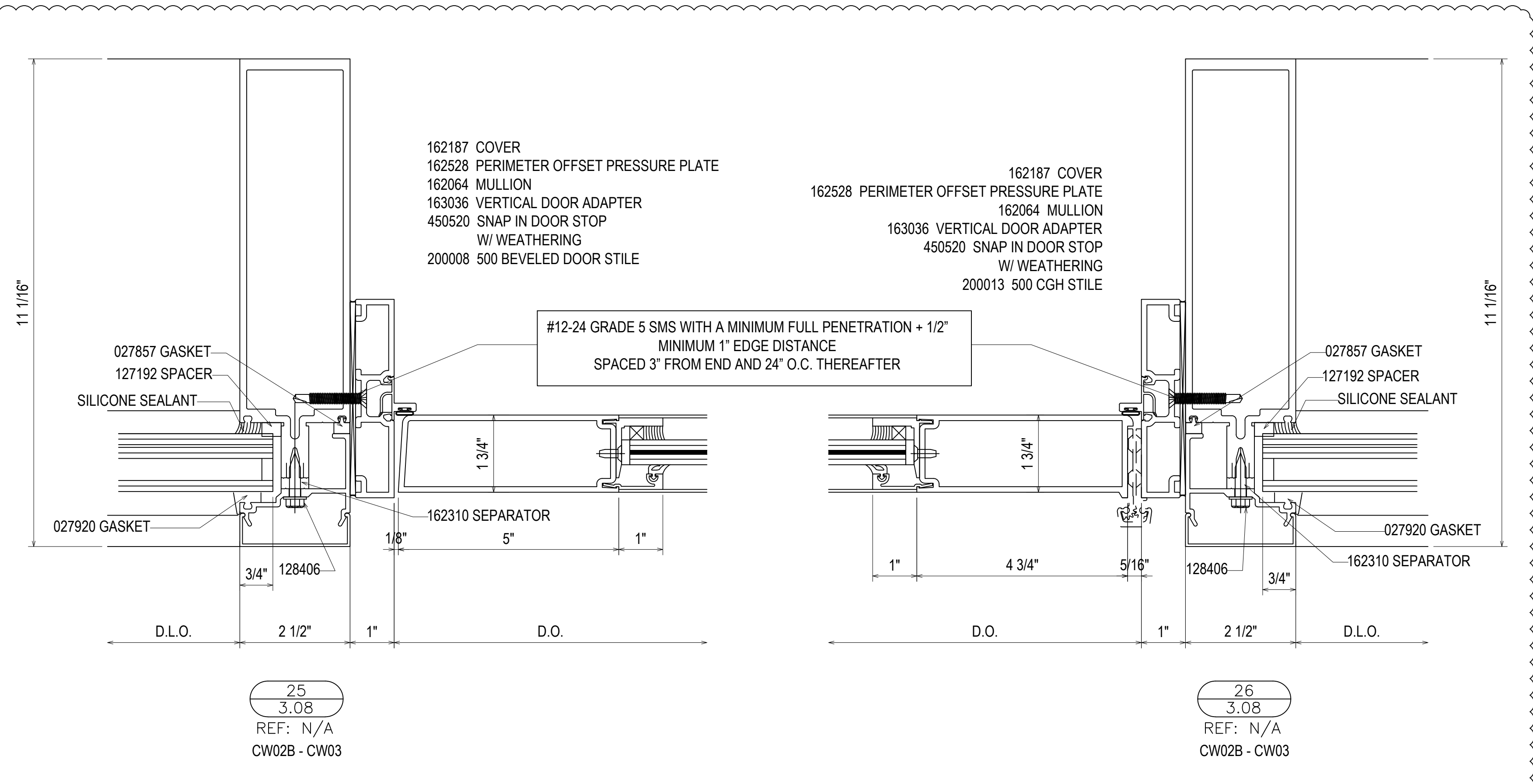
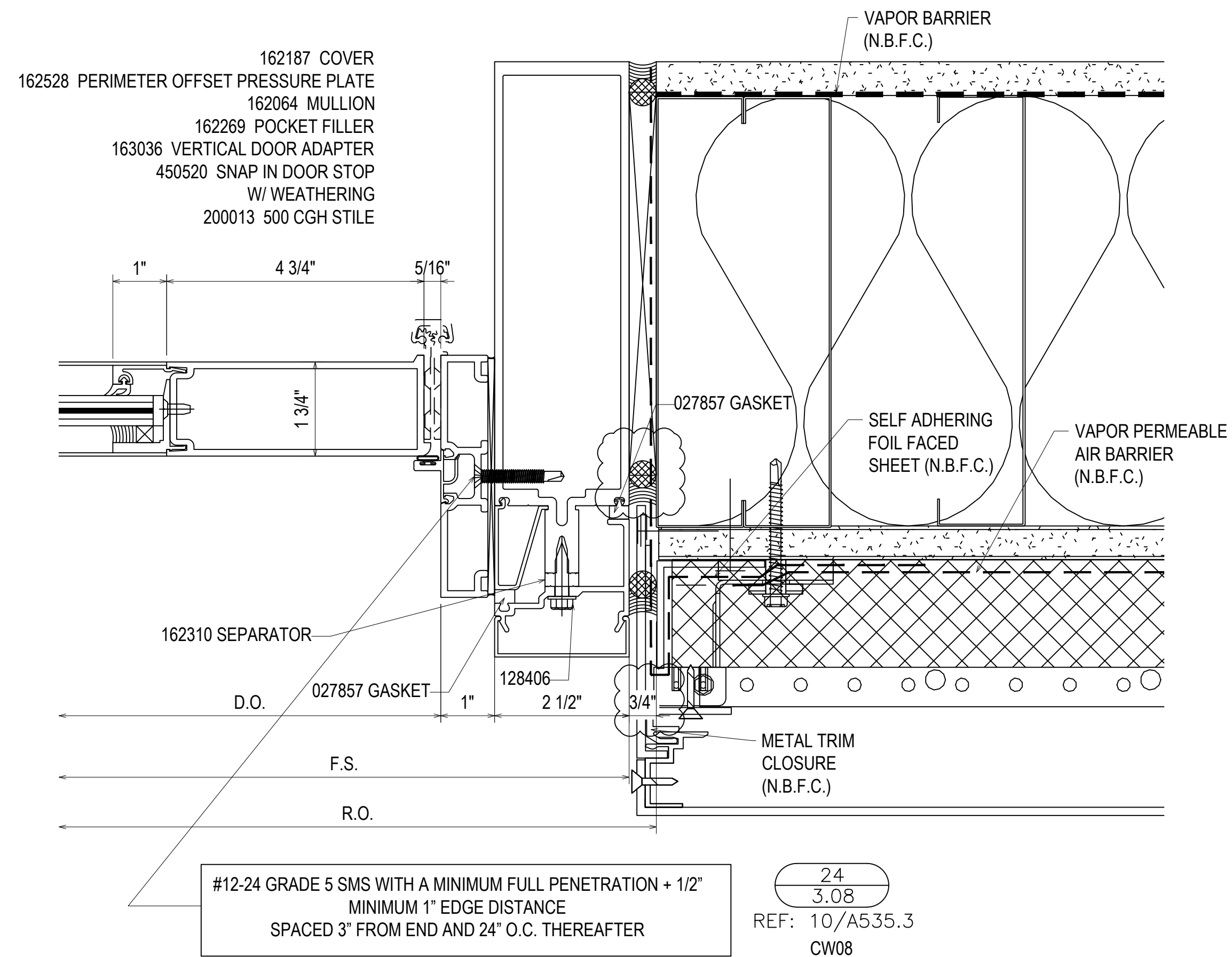
PROJECT:	NHA5/6 DATA CENTER (EXTERIOR)
LOCATION:	HUNTSVILLE, ALABAMA
ERECTOR:	1ST CHOICE GLASS



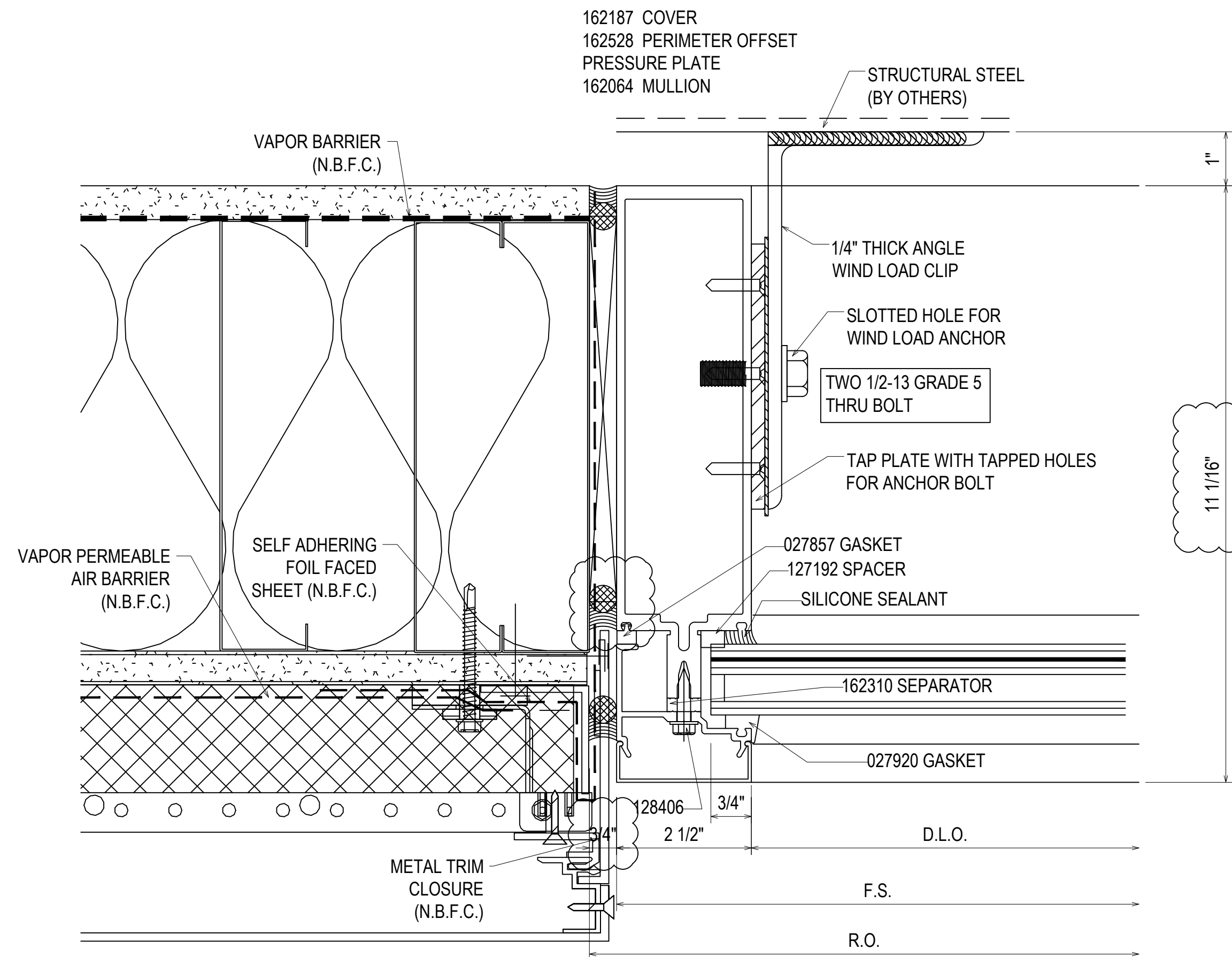
DRAWN BY:	DATE:
DJ	6/17/21
CHECKED BY:	DATE:
TH	6/17/21
JOB NO.:	

SHEET NO.: **3.07**

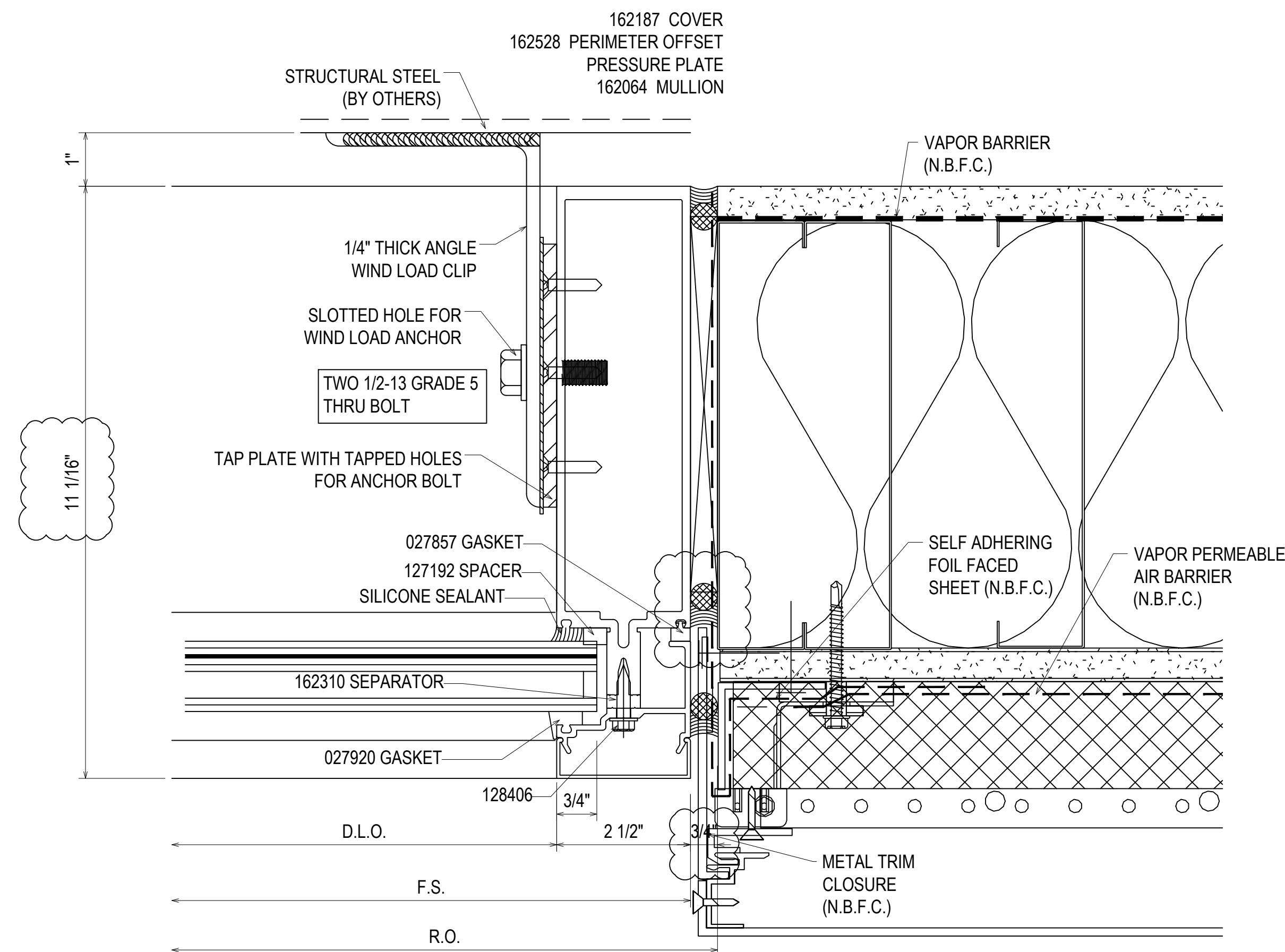
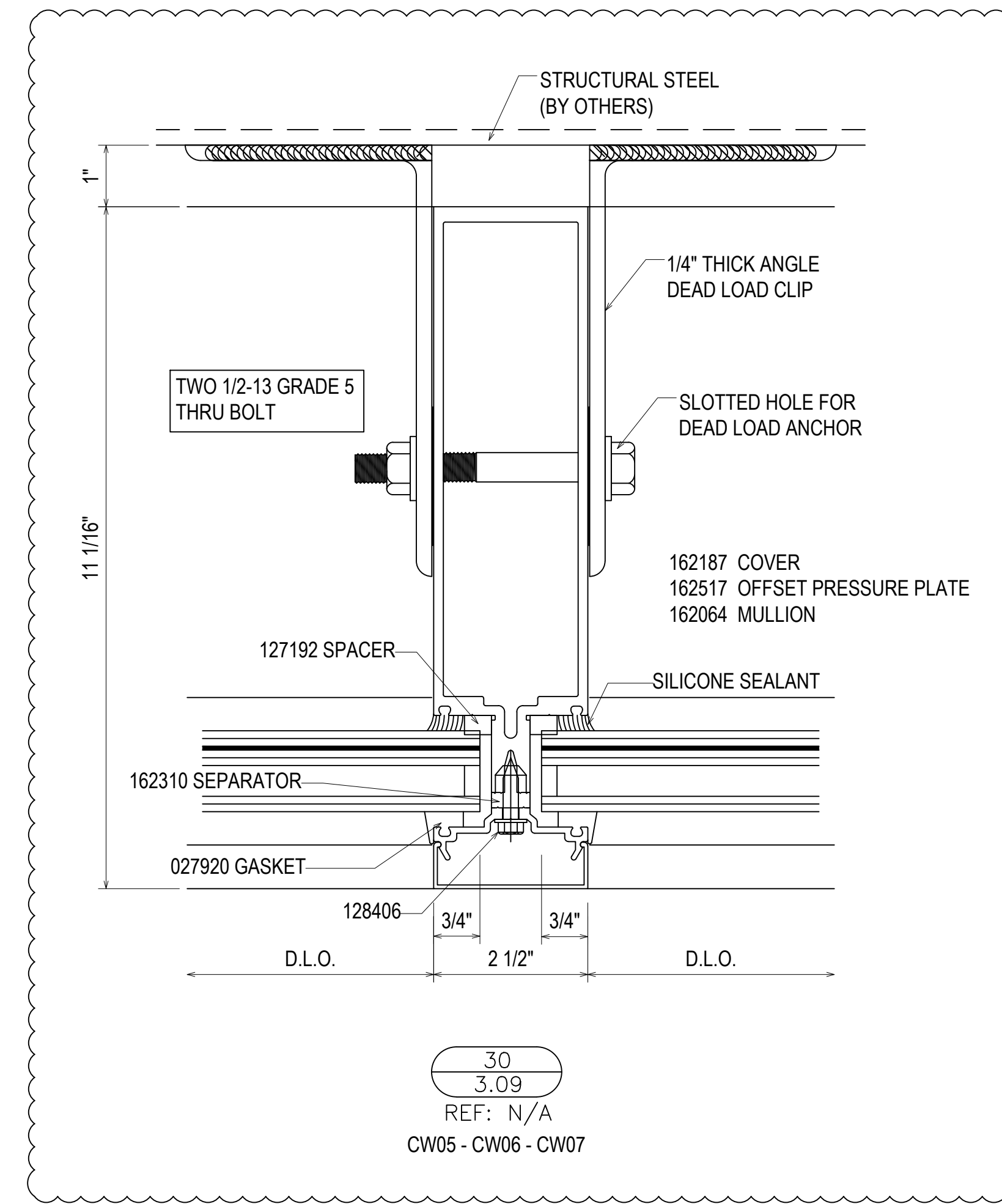




9/27/22	16TH REVISION BY CW	DESCRIPTION	DATE
7/25/22	15TH REVISION BY CW		
5/11/22	14TH REVISION BY CW		
2/01/22	13TH REVISION BY CW		
	NO		
DRAWING SUBMISSION			
PROJECT: NHA5/6 DATA CENTER (EXTERIOR)			
LOCATION: HUNTSVILLE, ALABAMA			
ERECTOR: 1ST CHOICE GLASS			
DRAWN BY:	DATE:		
DJ	6/17/21		
CHECKED BY:	DATE:		
TH	6/17/21		
JOB NO.:			
SHEET NO.:	<b>3.08</b>		



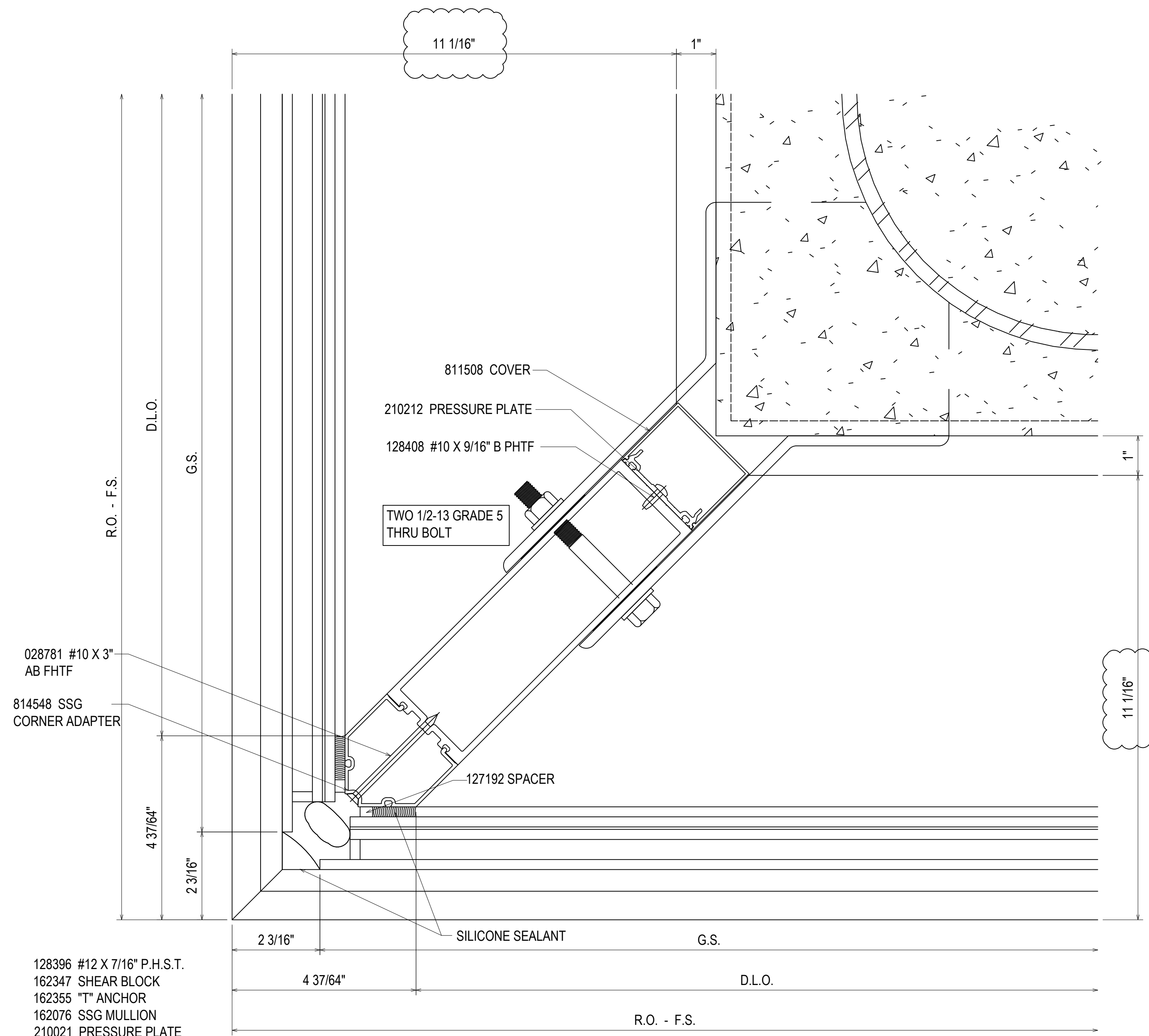
29  
3.09  
REF: 10/A535.3  
CW07



31  
3.09  
REF: 10/A535.3  
CW05

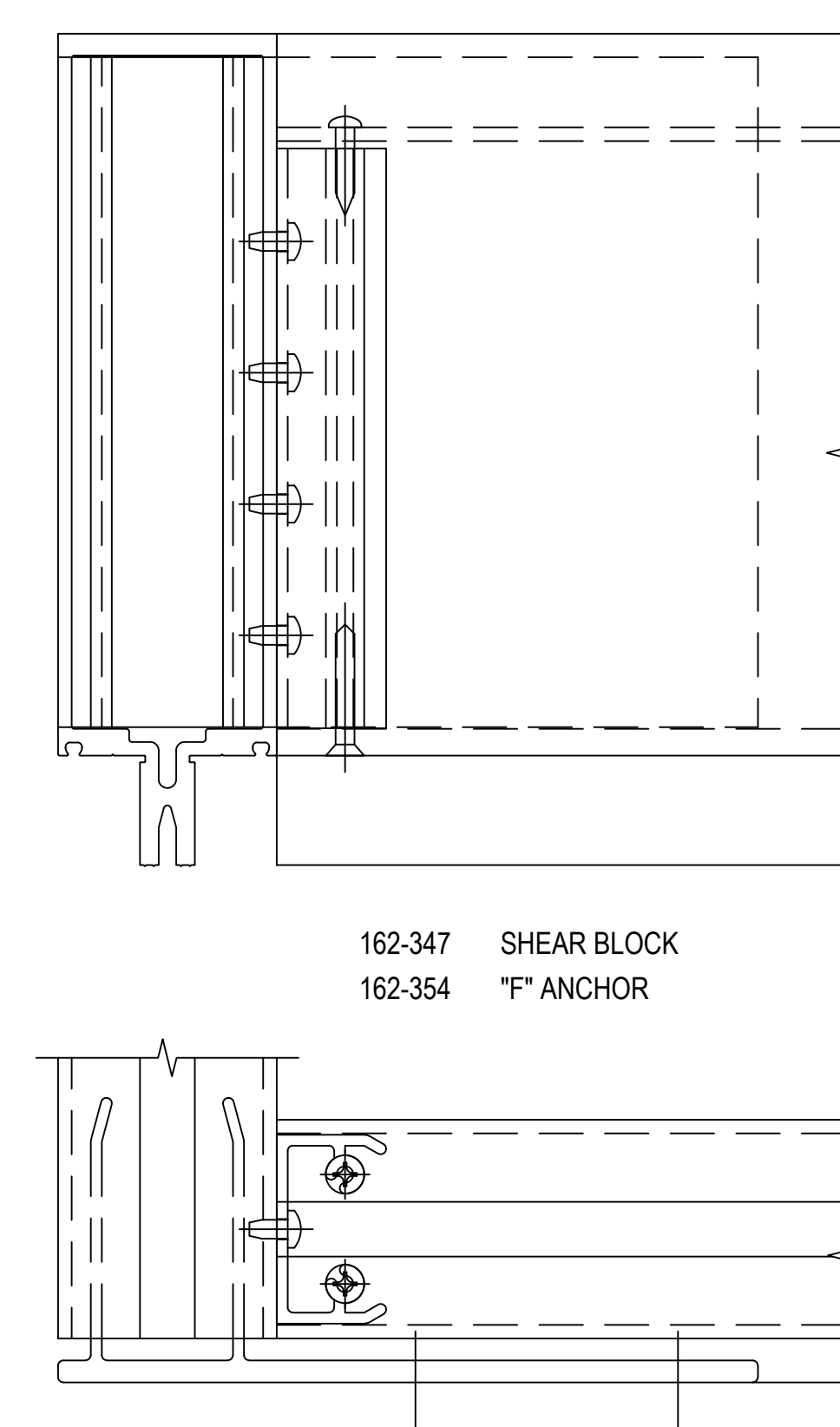
9/27/22	16TH REVISION BY CW	DESCRIPTION	DATE
7/25/22	15TH REVISION BY CW		
5/11/22	14TH REVISION BY CW		
2/01/22	13TH REVISION BY CW		
	NO		
DRAWING SUBMISSION			
PROJECT: NHA5/6 DATA CENTER (EXTERIOR)			
LOCATION: HUNTSVILLE, ALABAMA			
ERECTOR: 1ST CHOICE GLASS			
DRAWN BY: DU	DATE: 6/17/21		
CHECKED BY: TH	DATE: 6/17/21		
JOB NO.:			
SHEET NO.:			





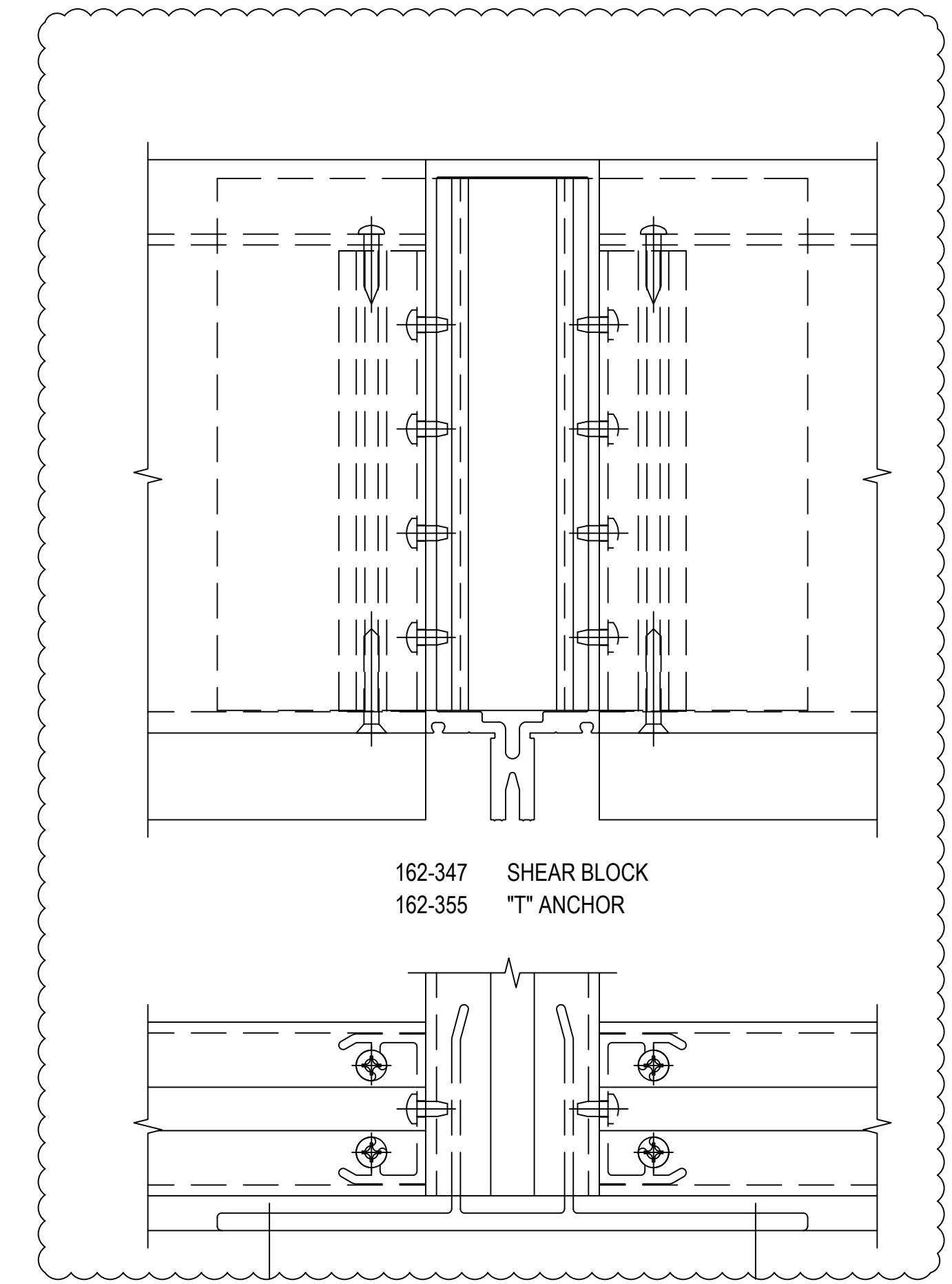
- 128396 #12 X 7/16\"/>

32  
 3.10  
 REF: 12/A535.4  
 CW05 - CW06 - CW07



162-347 SHEAR BLOCK  
162-354 "F" ANCHOR

33  
 3.10  
 REF: N/A  
 TYPICAL "T" & "F" ANCHORS



162-347 SHEAR BLOCK  
162-355 "T" ANCHOR

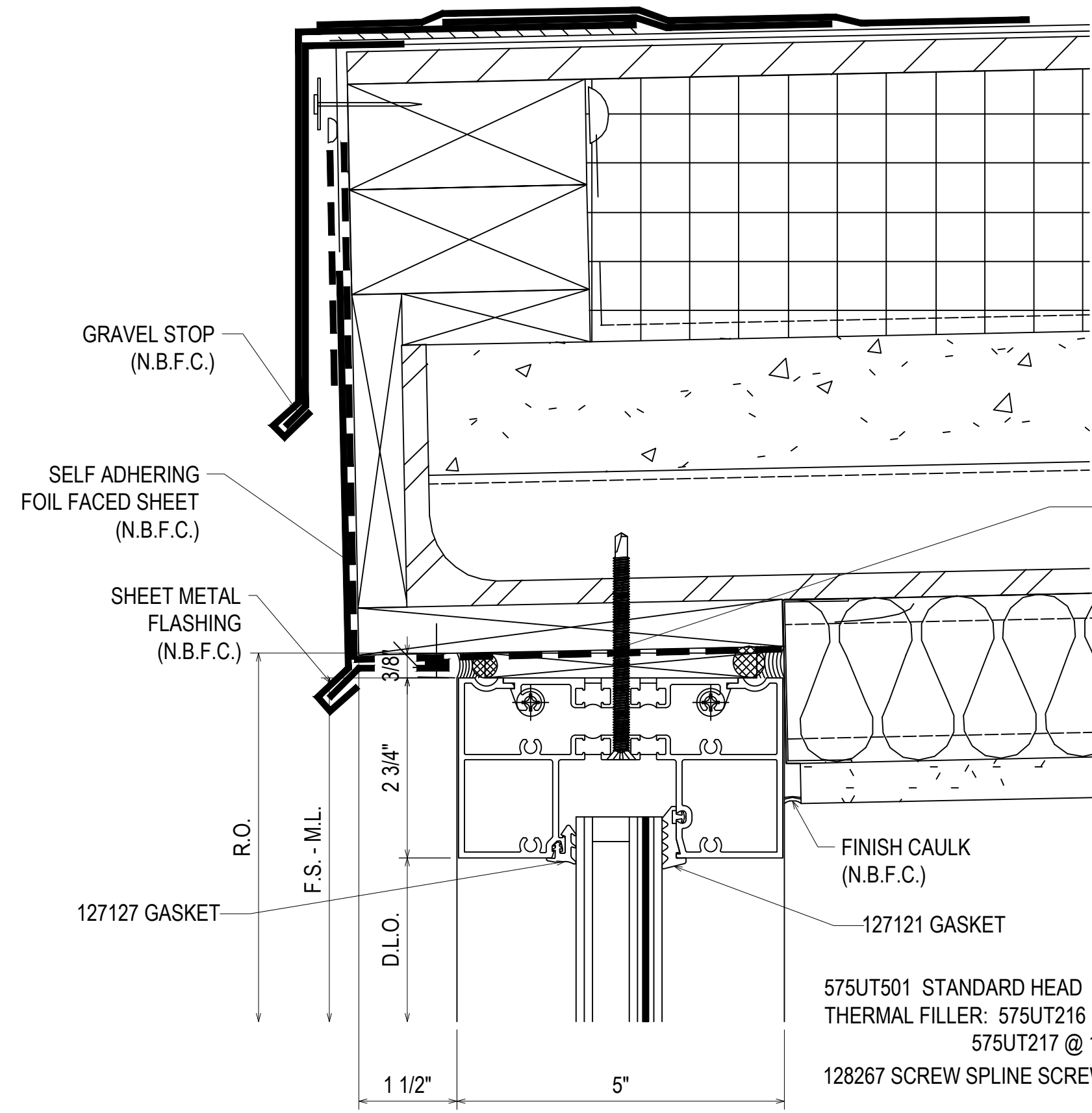
16TH REVISION BY	CW	9/27/22
15TH REVISION BY	CW	7/25/22
14TH REVISION BY	CW	5/11/22
13TH REVISION BY	CW	2/01/22
NO	DESCRIPTION	DATE
DRAWING SUBMISSION		

PROJECT: NHA5/6 DATA CENTER (EXTERIOR)  
 LOCATION: HUNTSVILLE, ALABAMA  
 ERECTOR: 1ST CHOICE GLASS



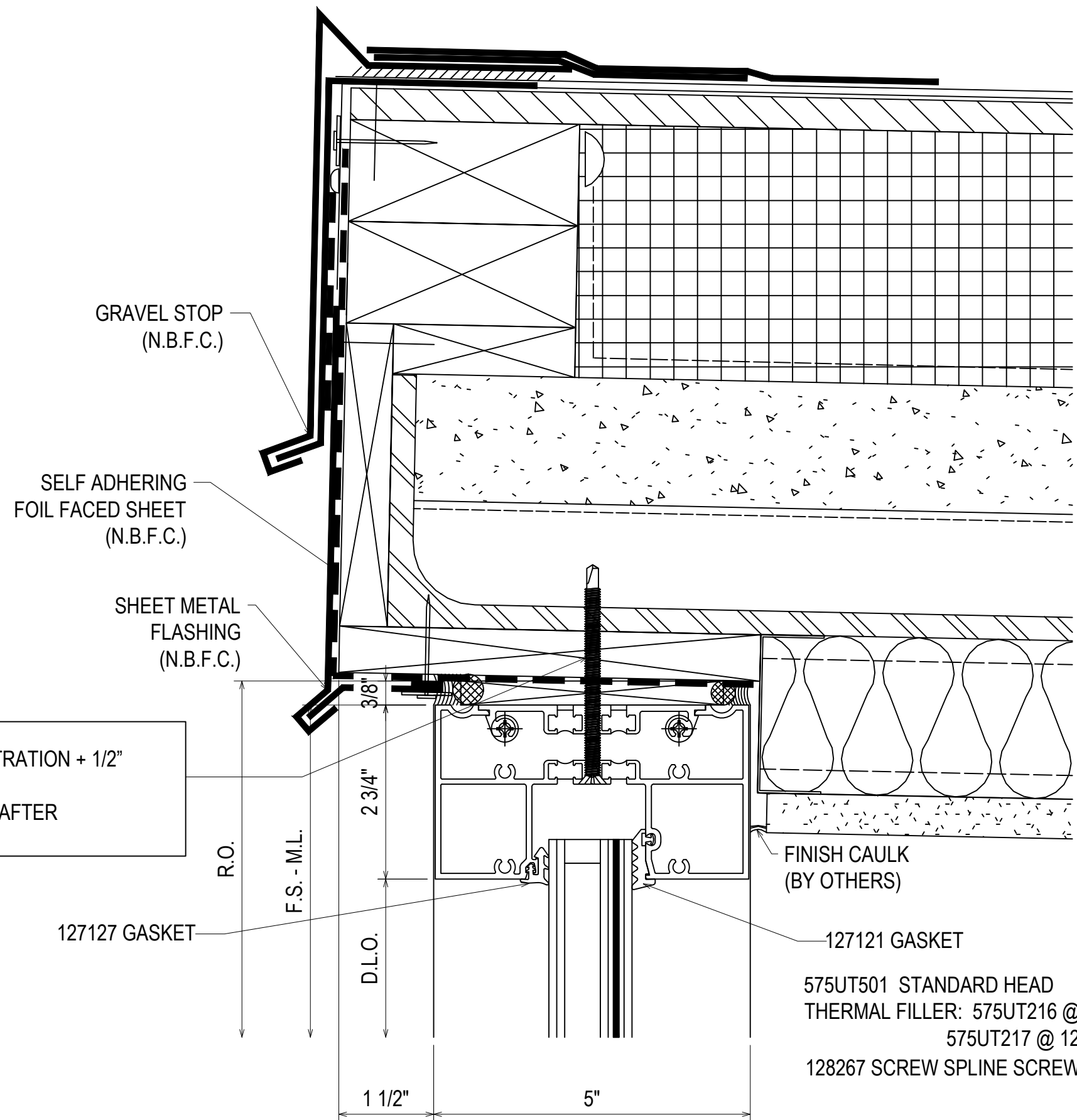
DRAWN BY: DU	DATE: 6/17/21
CHECKED BY: TH	DATE: 6/17/21
JOB NO.:	

SHEET NO.: **3.10**



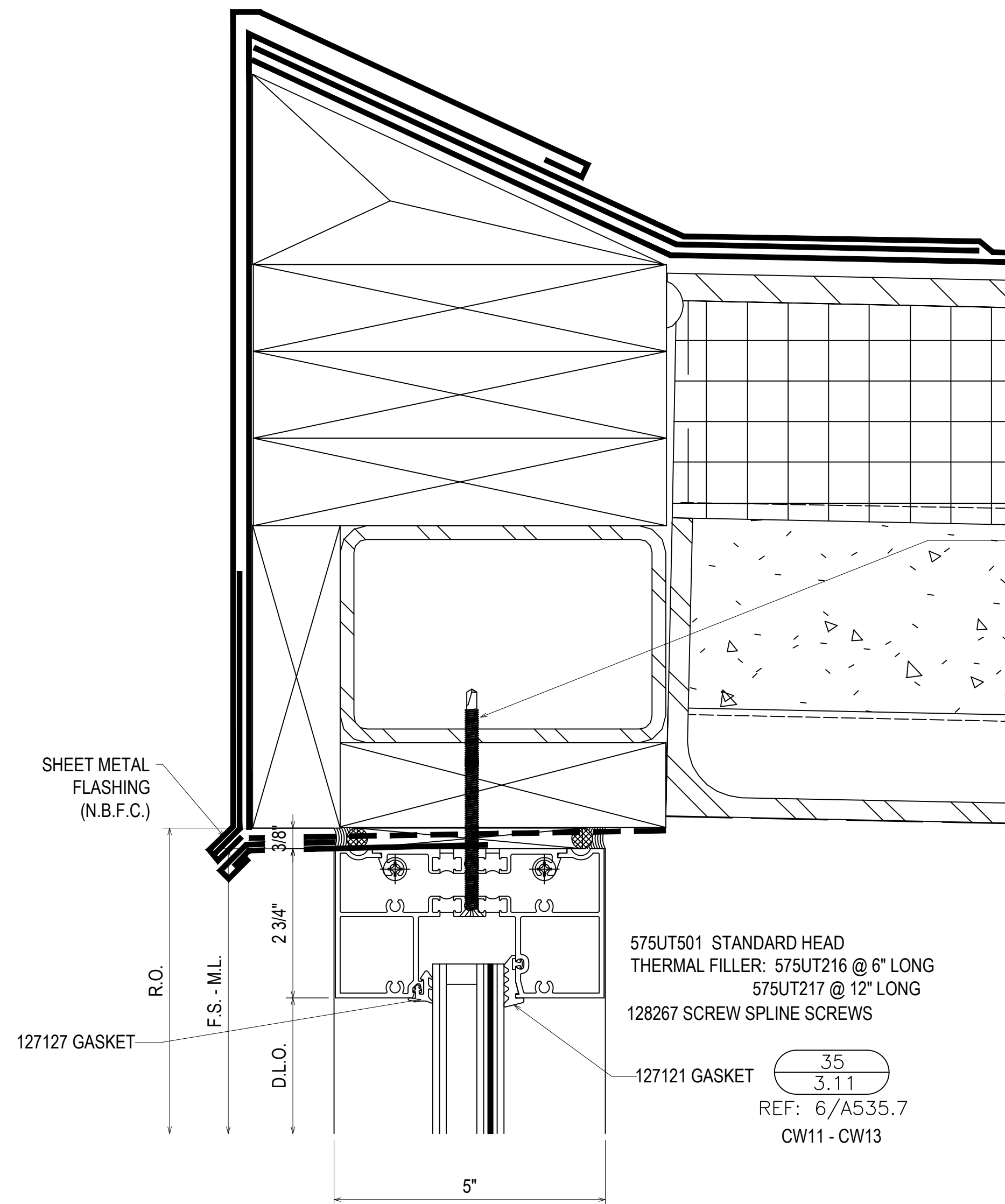
1/4-20 GRADE 5 SMS WITH A MINIMUM FULL PENETRATION + 1/2\"/>

34  
3.11  
REF: 3/A535.7  
CW10



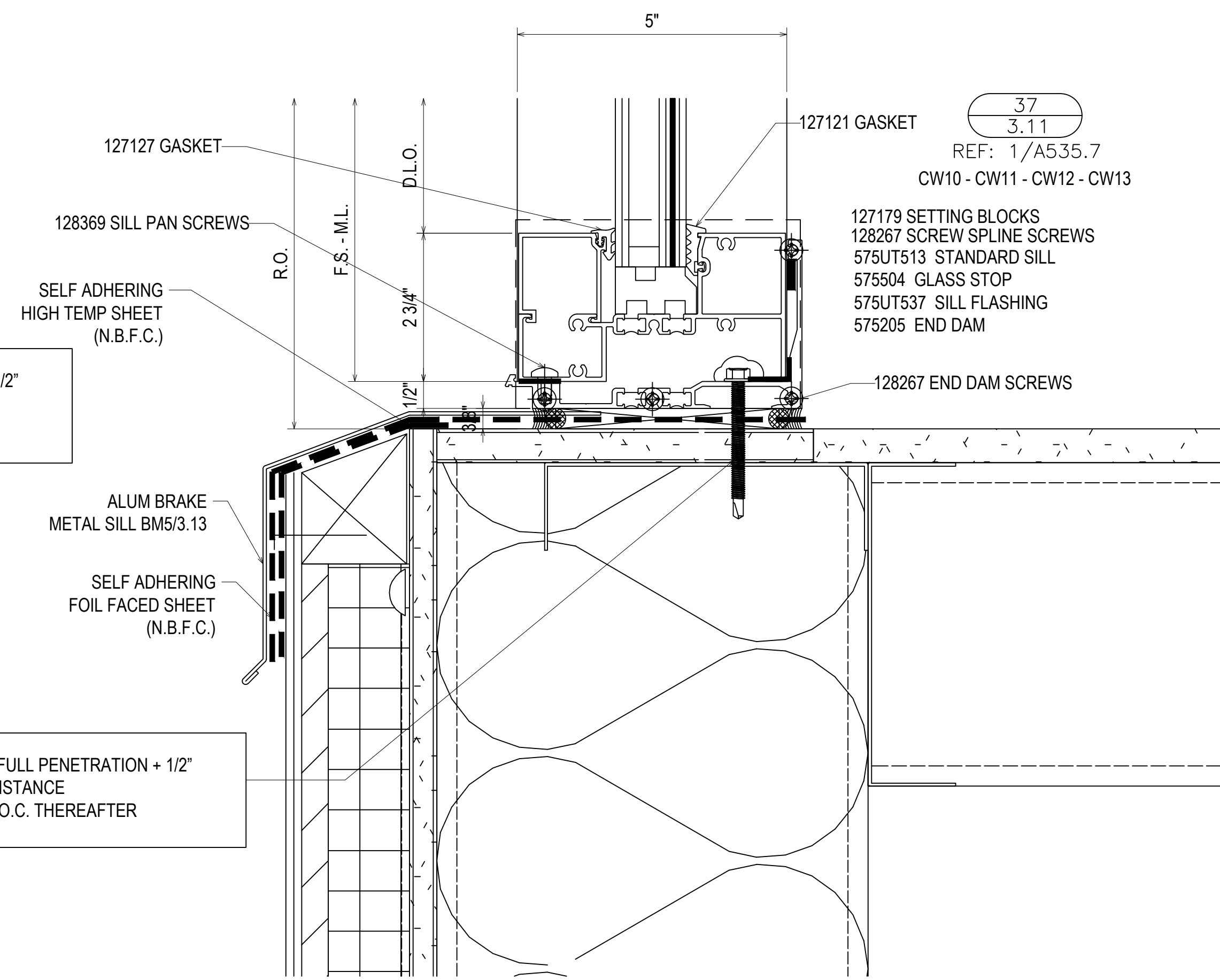
1/4-20 GRADE 5 SMS WITH A MINIMUM FULL PENETRATION + 1/2\"/>

36  
3.11  
REF: 2/A535.7  
CW12



1/4-20 GRADE 5 SMS WITH A MINIMUM FULL PENETRATION + 1/2\"/>

35  
3.11  
REF: 6/A535.7  
CW11 - CW13



1/4-20 GRADE 5 SMS WITH A MINIMUM FULL PENETRATION + 1/2\"/>

37  
3.11  
REF: 1/A535.7  
CW10 - CW11 - CW12 - CW13

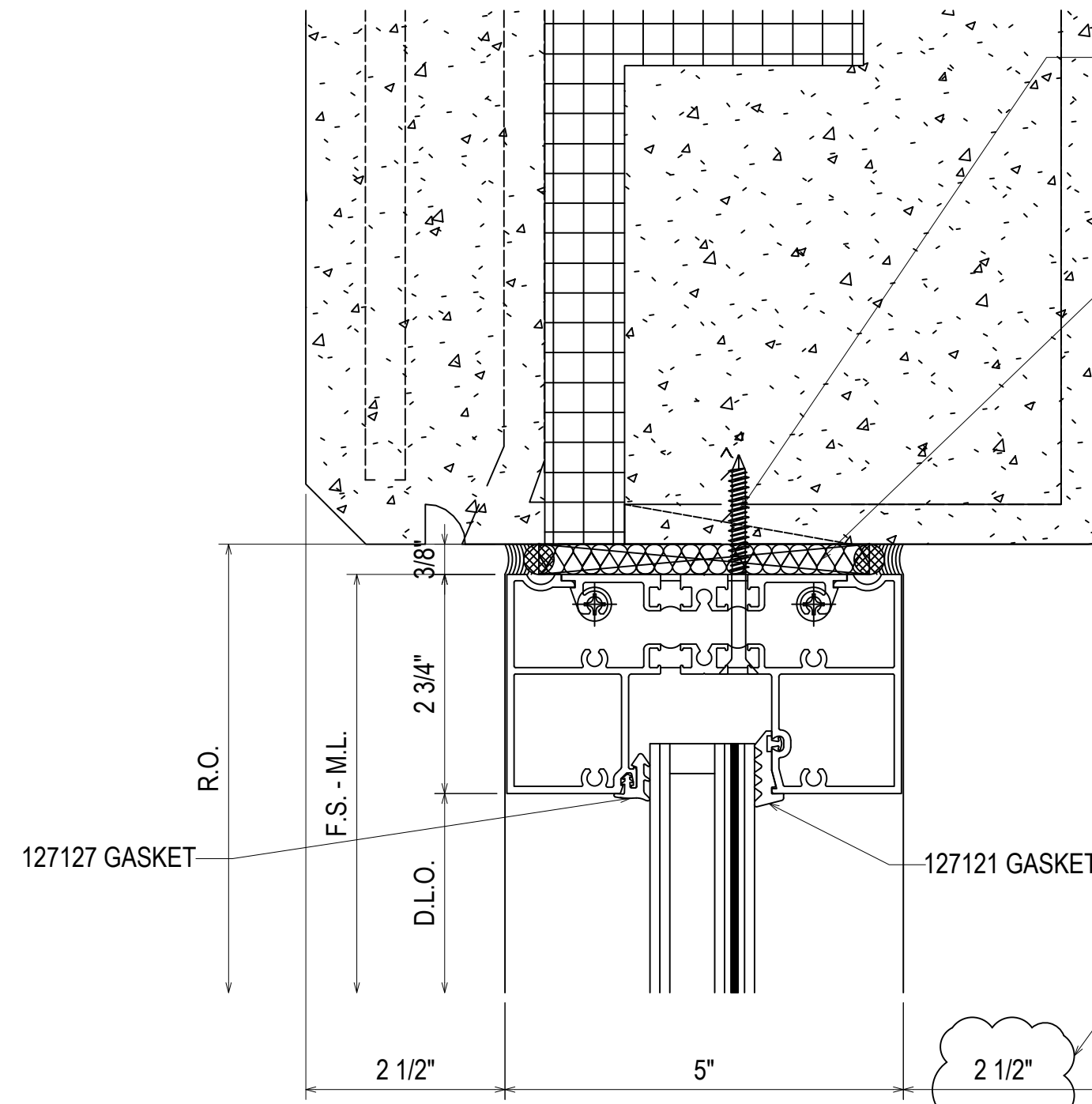
16TH REVISION BY	CW	9/27/22
15TH REVISION BY	CW	7/25/22
14TH REVISION BY	CW	5/11/22
13TH REVISION BY	CW	2/01/22
NO	DESCRIPTION	DATE
DRAWING SUBMISSION		

PROJECT: NHA5/6 DATA CENTER (EXTERIOR)  
 LOCATION: HUNTSVILLE, ALABAMA  
 ERECTOR: 1ST CHOICE GLASS



DRAWN BY: DJ DATE: 6/17/21  
 CHECKED BY: TH DATE: 6/17/21  
 JOB NO.:

SHEET NO.: 3.11



1/4" HILTI KWIK CON II + WITH MINIMUM 1-3/4" EMBEDMENT  
MINIMUM 4" EDGE DISTANCE  
SPACED 3" FROM END AND 24" O.C. THEREAFTER

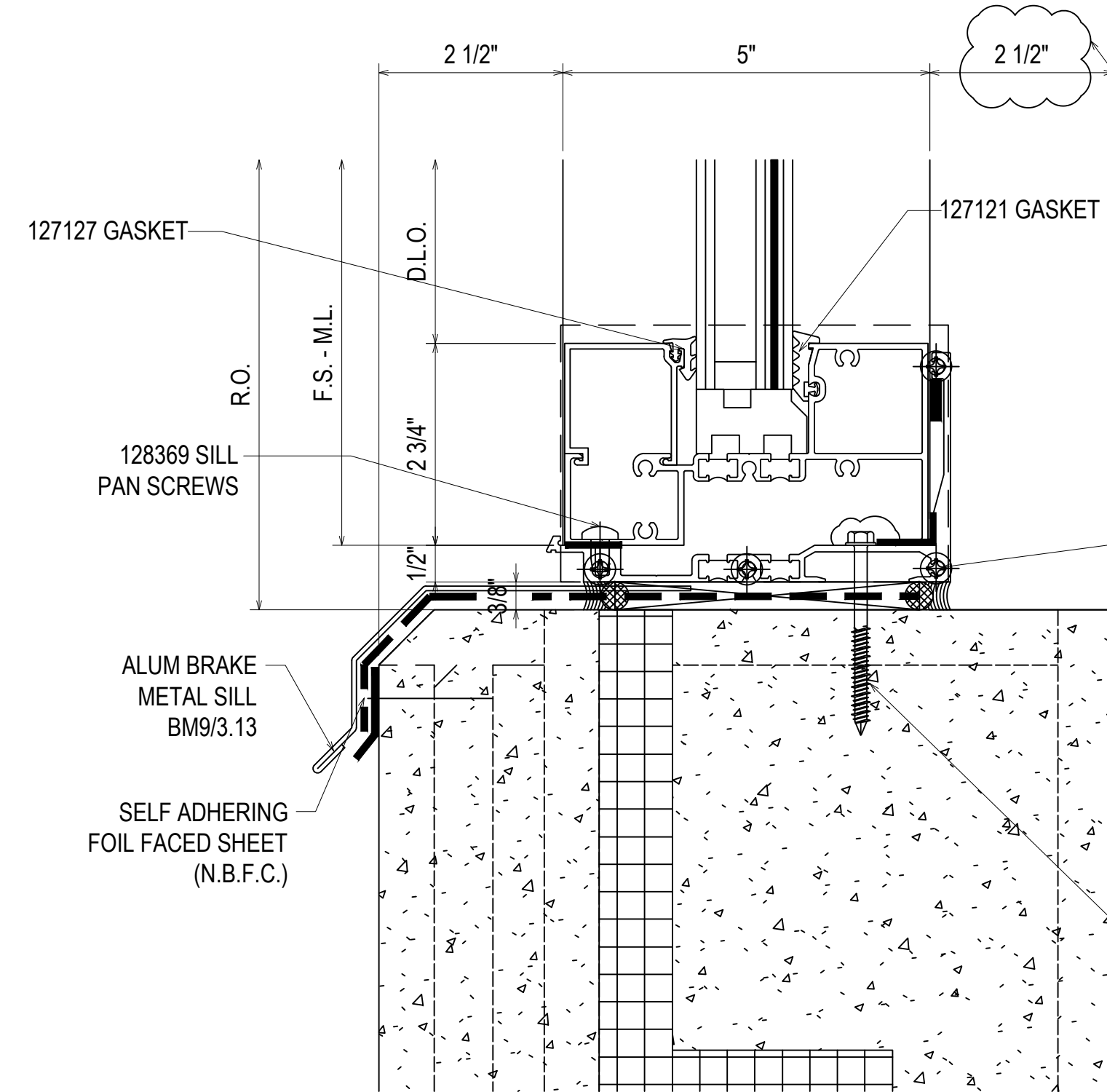
MINERAL WOOL  
BLANKET INSULATION  
(N.B.F.C.)

38  
3.12

REF: 8/A530.2  
W.IN.01 - W.IN.04 - W.IN.05  
W.IN.06 - W.IN.07 - W.IN.10  
W.IN.13 - W.IN.14

575UT501 STANDARD HEAD  
THERMAL FILLER: 575UT216 @ 6" LONG  
575UT217 @ 12" LONG  
128267 SCREW SPLINE SCREWS

FRAME WAS MOVED BACK 1/2"  
TO ALLOW FOR PROPER EDGE DISTANCE  
FOR ANCHORING. PLEASE CONFIRM



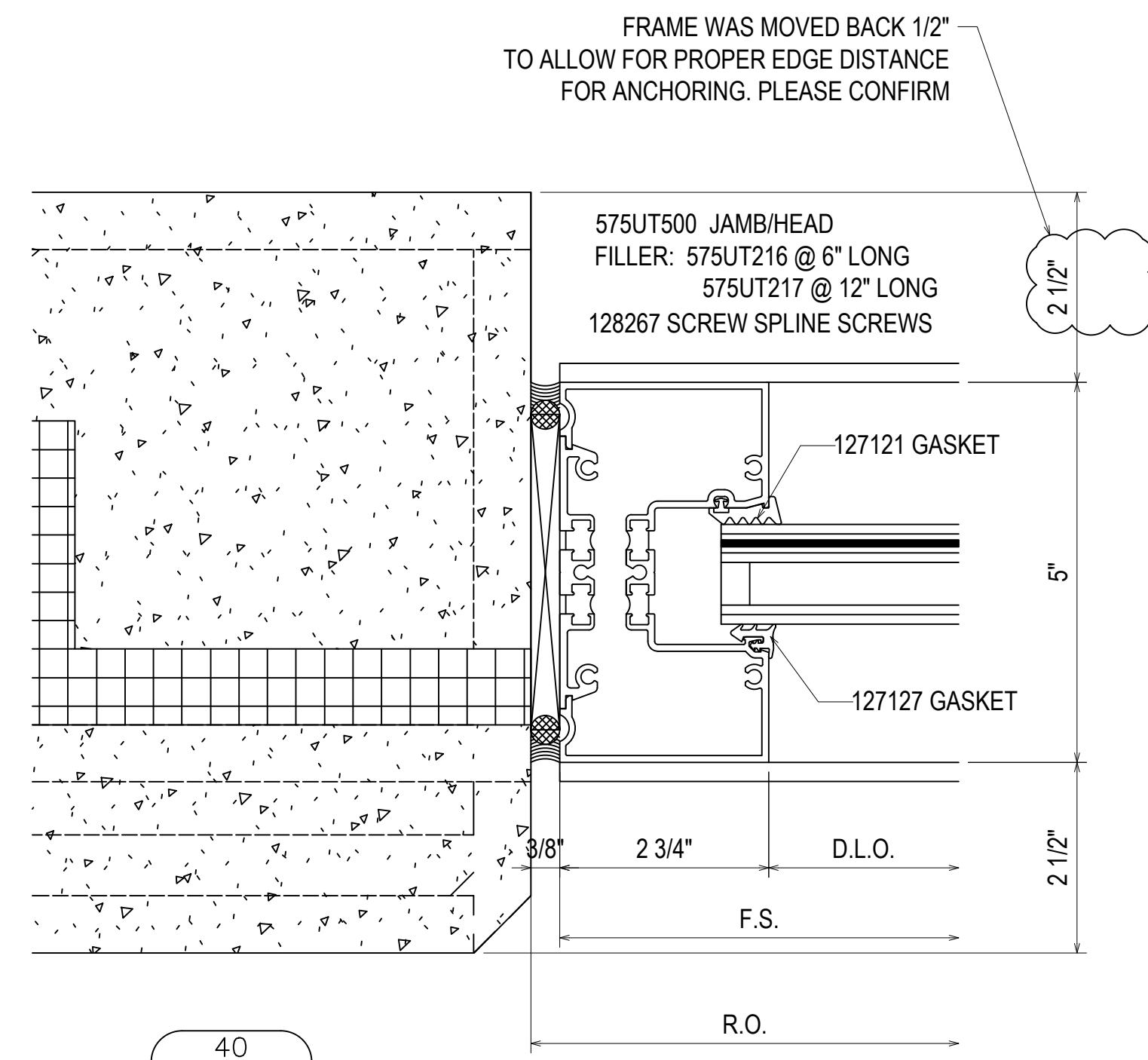
FRAME WAS MOVED BACK 1/2"  
TO ALLOW FOR PROPER EDGE DISTANCE  
FOR ANCHORING. PLEASE CONFIRM

127179 SETTING BLOCKS  
575UT513 STANDARD SILL  
575504 GLASS STOP  
575UT537 SILL FLASHING  
575205 END DAM  
128267 SCREW SPLINE SCREWS  
128267 END DAM SCREWS

39  
3.12

REF: 8/A530.2  
W.IN.01 - W.IN.04 - W.IN.05  
W.IN.06 - W.IN.07 - W.IN.10  
W.IN.13 - W.IN.14

1/4" HILTI KWIK CON II + WITH MINIMUM 1-3/4" EMBEDMENT  
MINIMUM 4" EDGE DISTANCE  
SPACED 3" FROM END AND 24" O.C. THEREAFTER

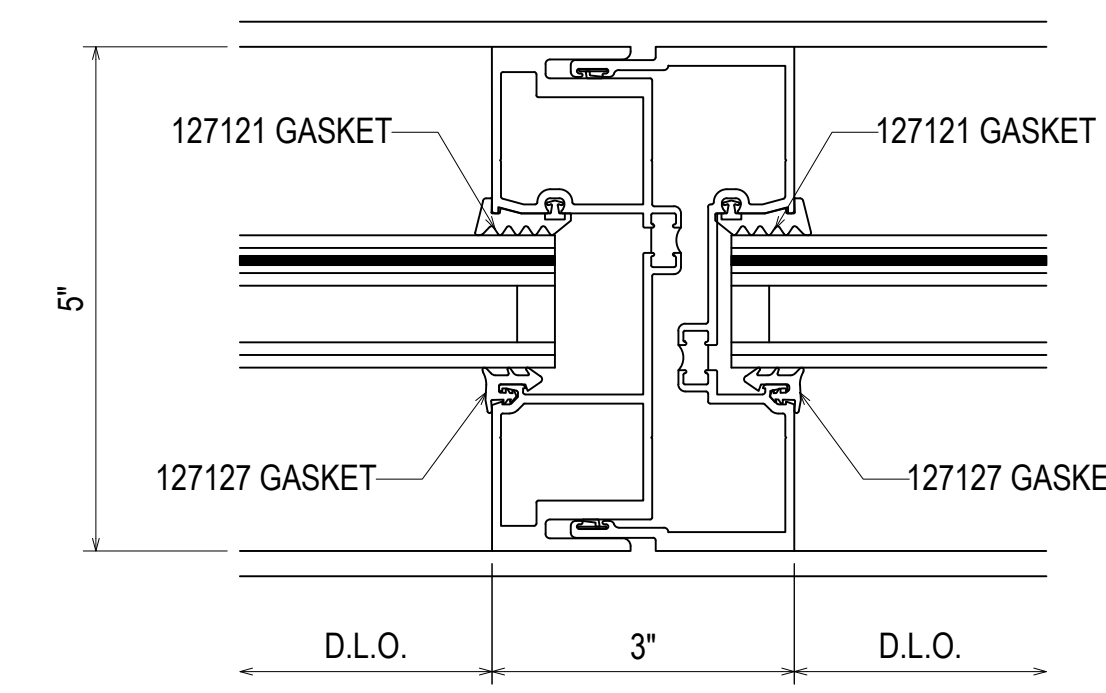


FRAME WAS MOVED BACK 1/2"  
TO ALLOW FOR PROPER EDGE DISTANCE  
FOR ANCHORING. PLEASE CONFIRM

40  
3.12

REF: 3/A530.2  
W.IN.01 - W.IN.04 - W.IN.05  
W.IN.06 - W.IN.07 - W.IN.10  
W.IN.13 - W.IN.14

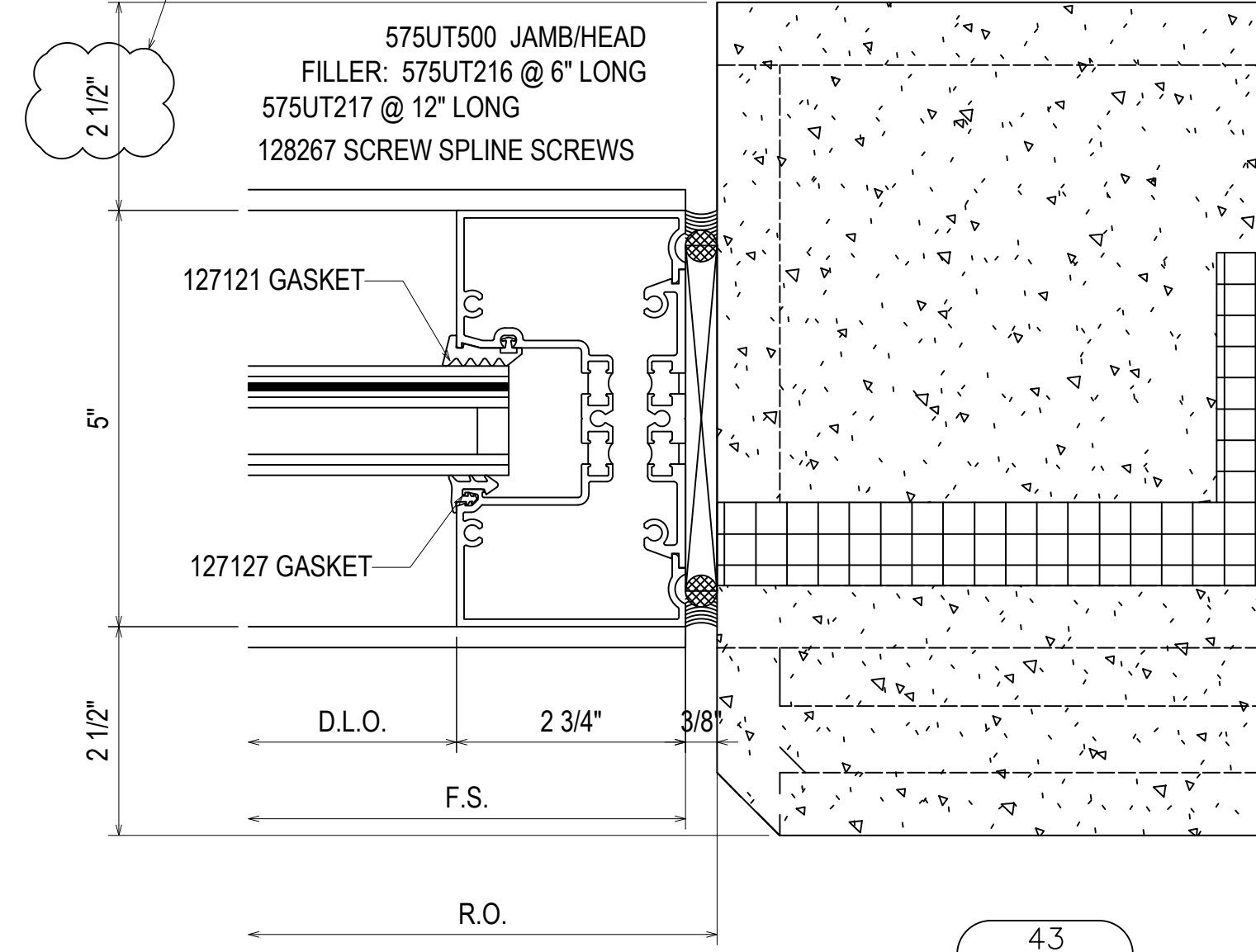
128267 SCREW SPLINE SCREWS  
575T509 MALE EXPANSION MULLION  
575T510 FEMALE EXPANSION MULLION  
027806 WEATHERING



42  
3.12

REF: N/A  
CW10 - CW11 - CW12 - CW13

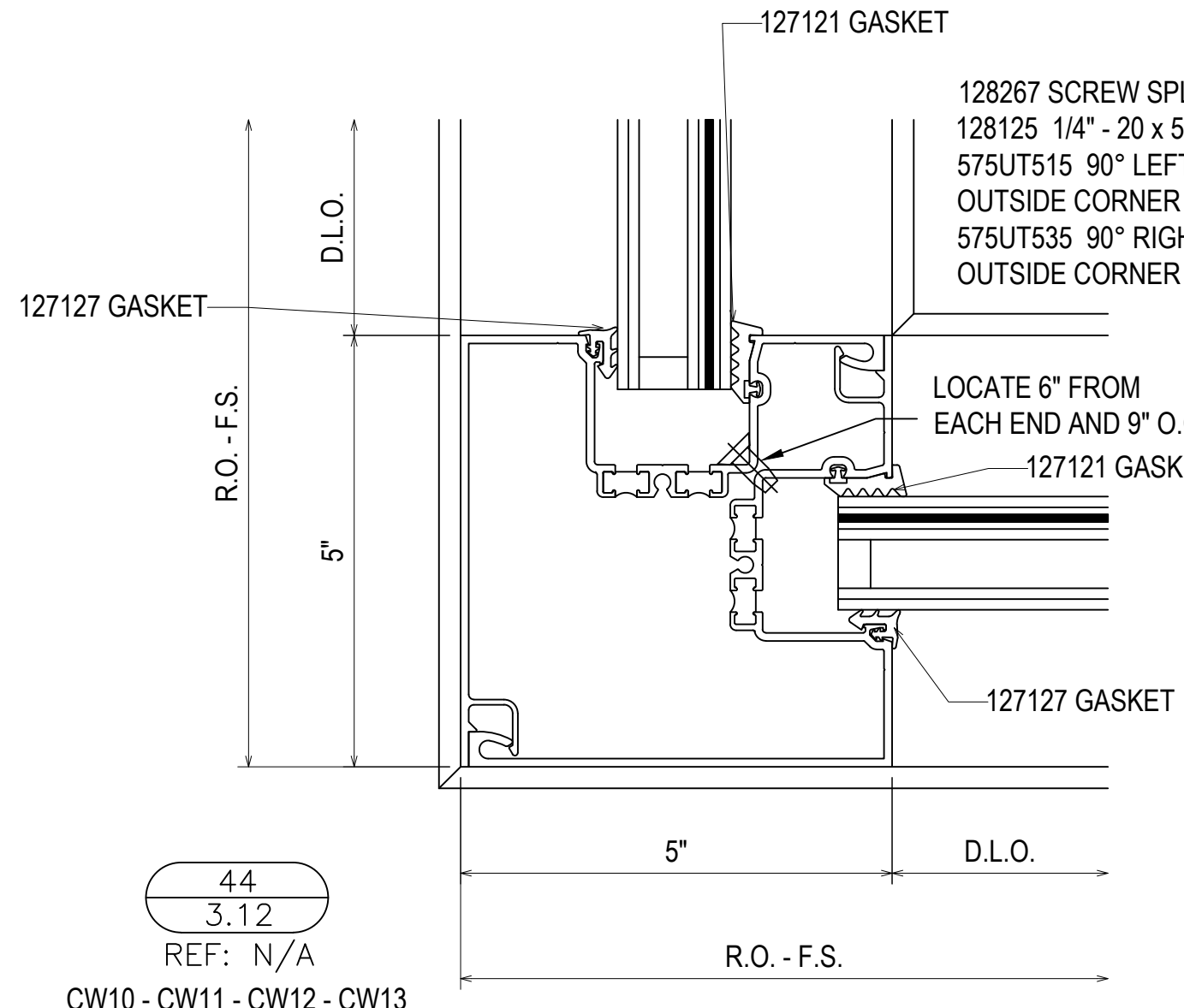
FRAME WAS MOVED BACK 1/2"  
TO ALLOW FOR PROPER EDGE DISTANCE  
FOR ANCHORING. PLEASE CONFIRM



FRAME WAS MOVED BACK 1/2"  
TO ALLOW FOR PROPER EDGE DISTANCE  
FOR ANCHORING. PLEASE CONFIRM

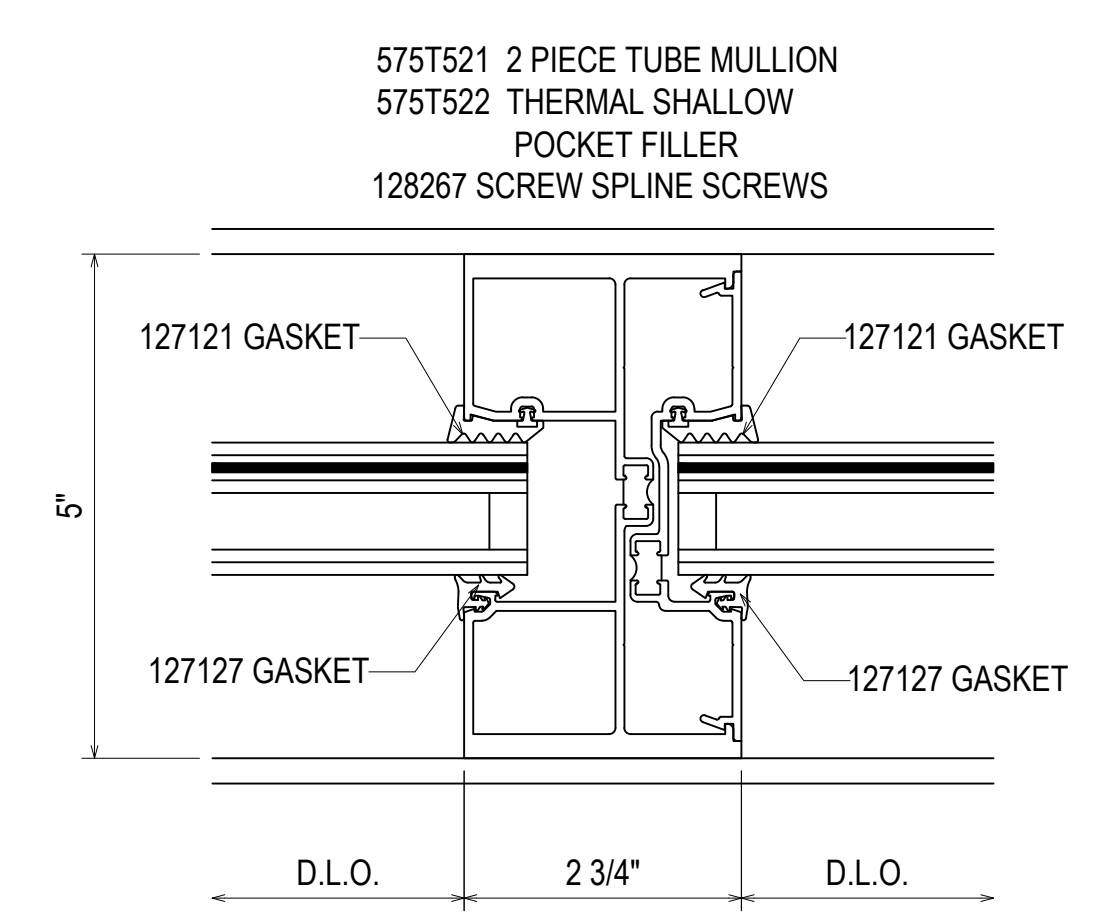
43  
3.12

REF: 3/A530.2  
W.IN.01 - W.IN.04 - W.IN.05  
W.IN.06 - W.IN.07 - W.IN.10  
W.IN.13 - W.IN.14



44  
3.12

REF: N/A  
CW10 - CW11 - CW12 - CW13



41  
3.12

REF: N/A  
CW10 - CW11 - CW12 - CW13

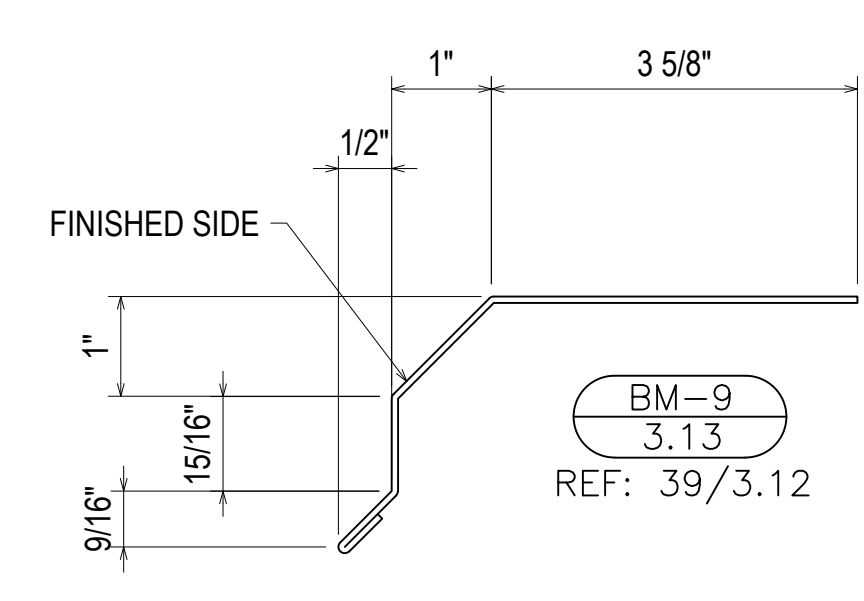
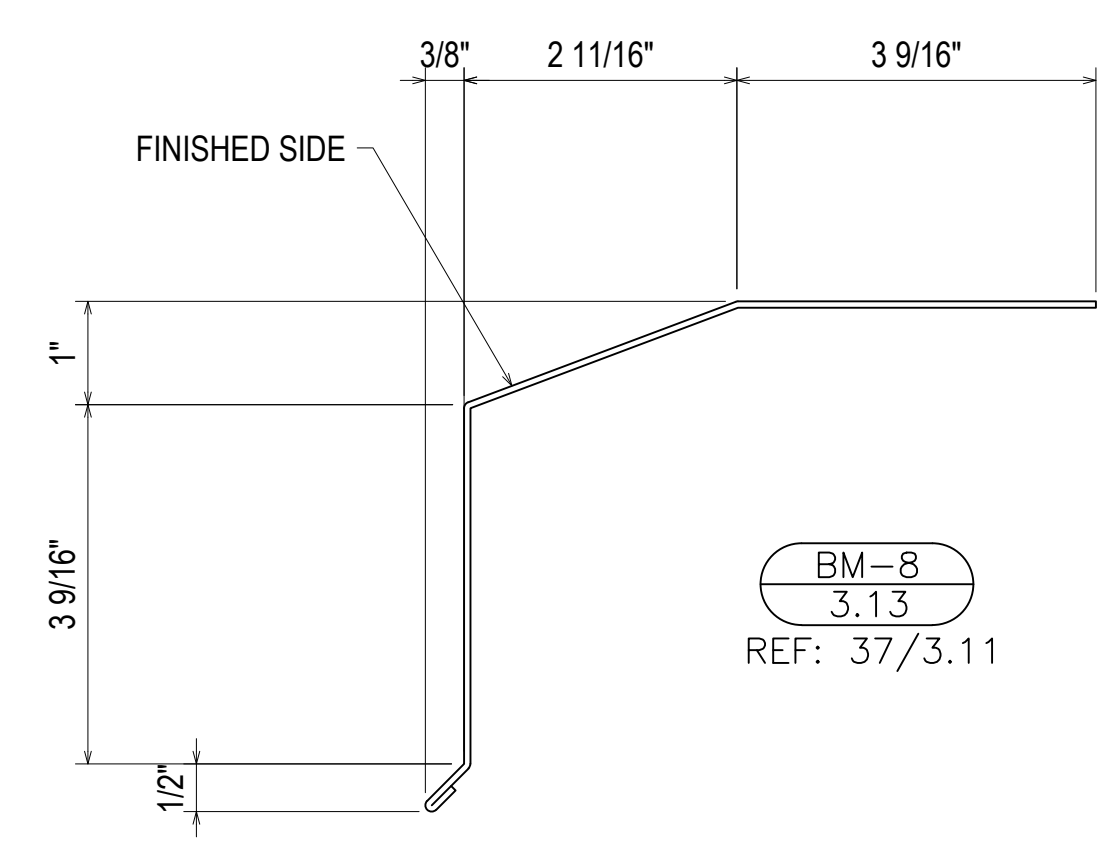
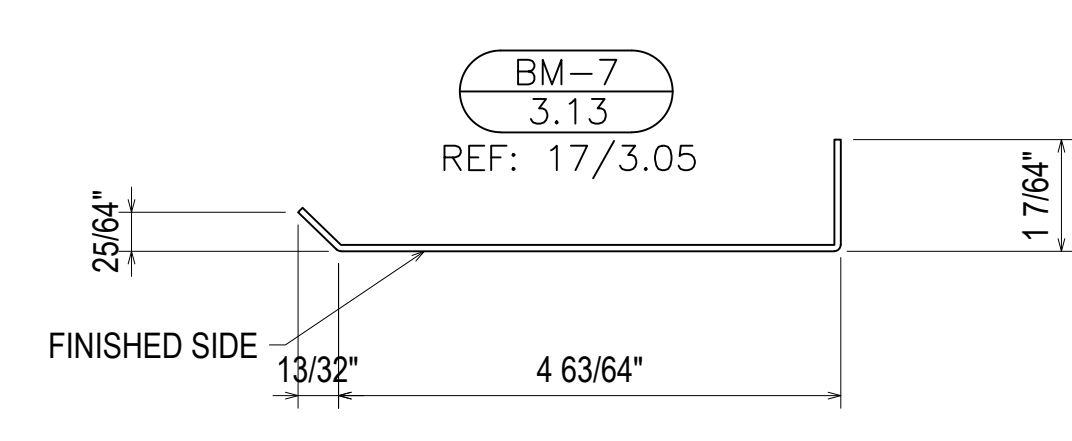
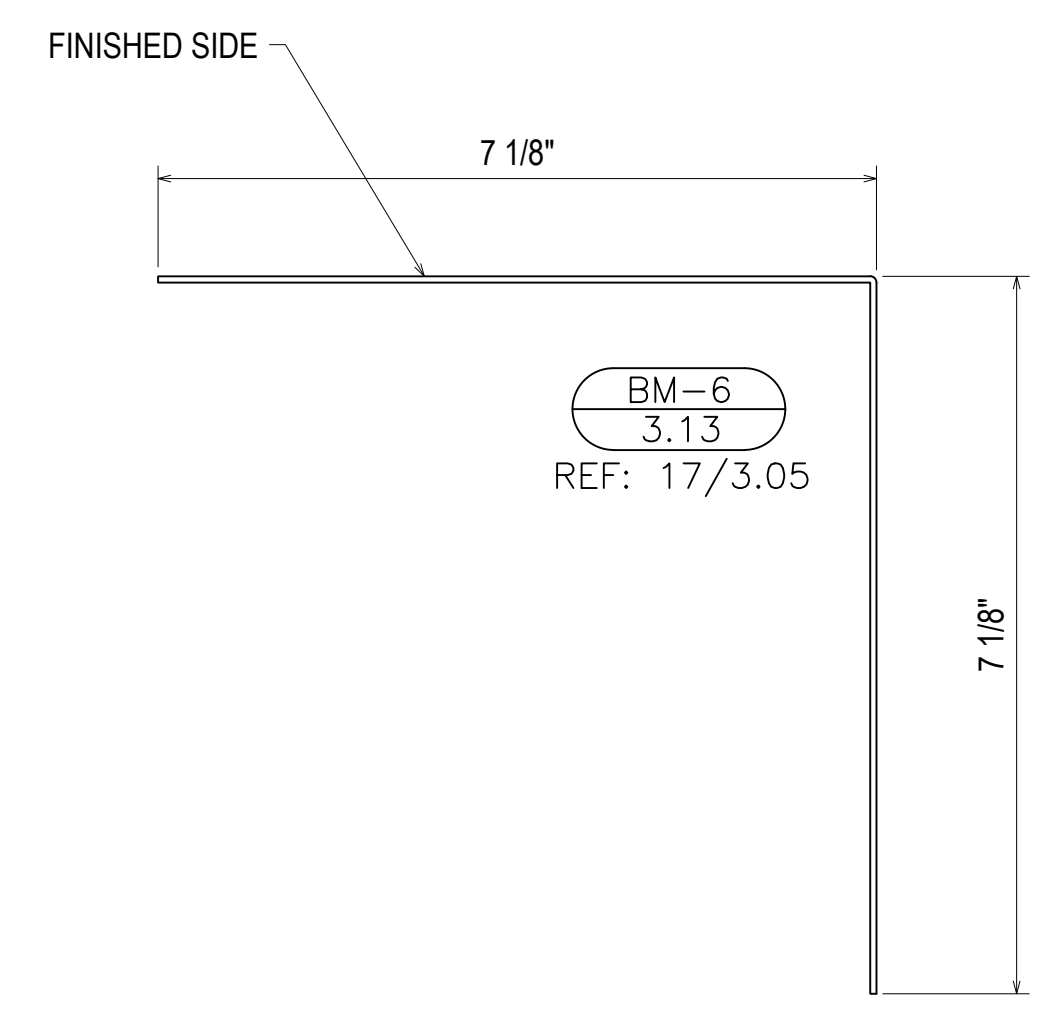
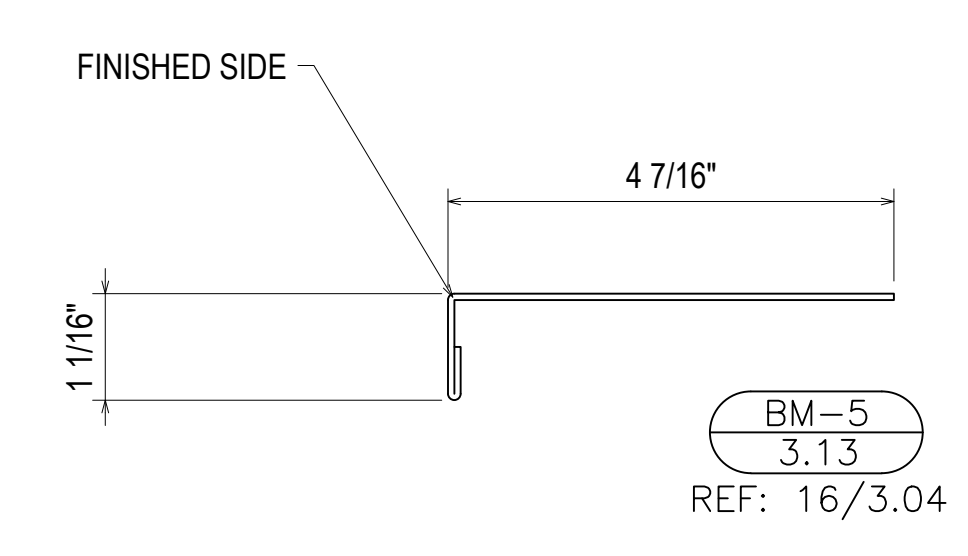
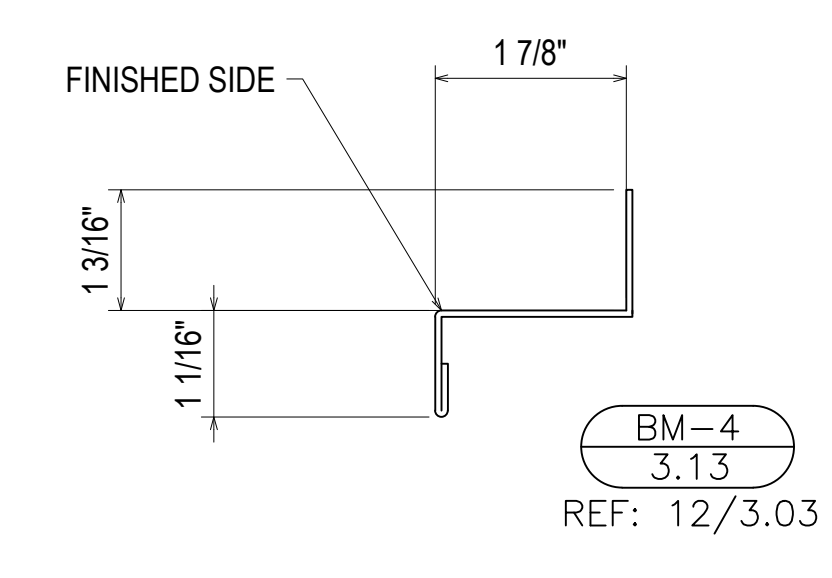
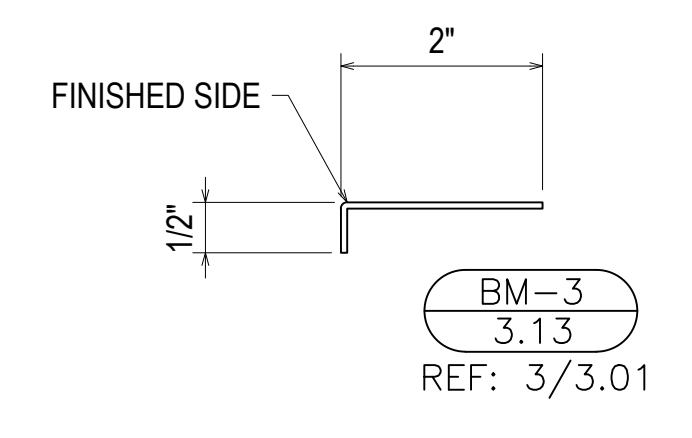
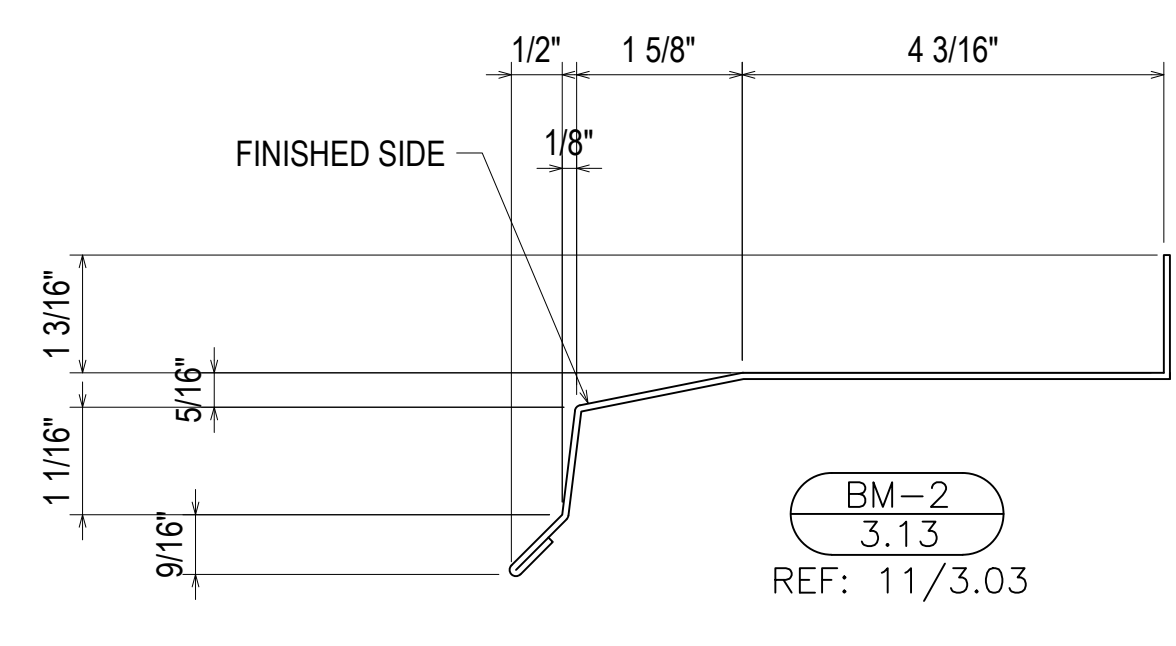
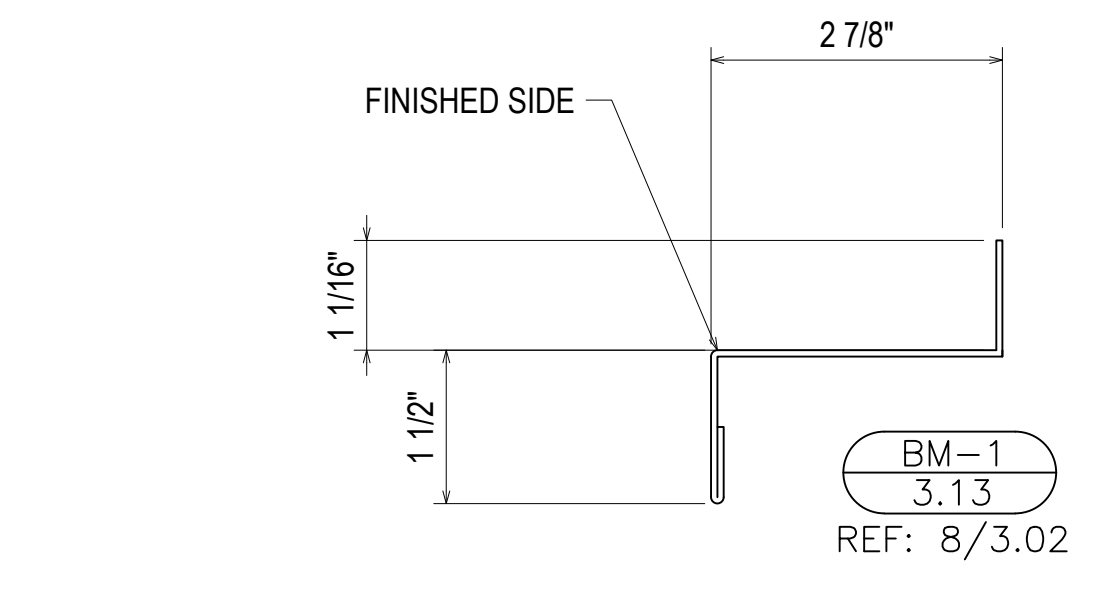
16TH REVISION BY CW	9/27/22
15TH REVISION BY CW	7/25/22
14TH REVISION BY CW	5/11/22
13TH REVISION BY CW	2/01/22
NO	DATE
DRAWING SUBMISSION	

PROJECT: NHA5/6 DATA CENTER (EXTERIOR)  
LOCATION: HUNTSVILLE, ALABAMA  
ERECTOR: 1ST CHOICE GLASS



DRAWN BY: DU	DATE: 6/17/21
CHECKED BY: TH	DATE: 6/17/21
JOB NO.:	

SHEET NO.: 3.12



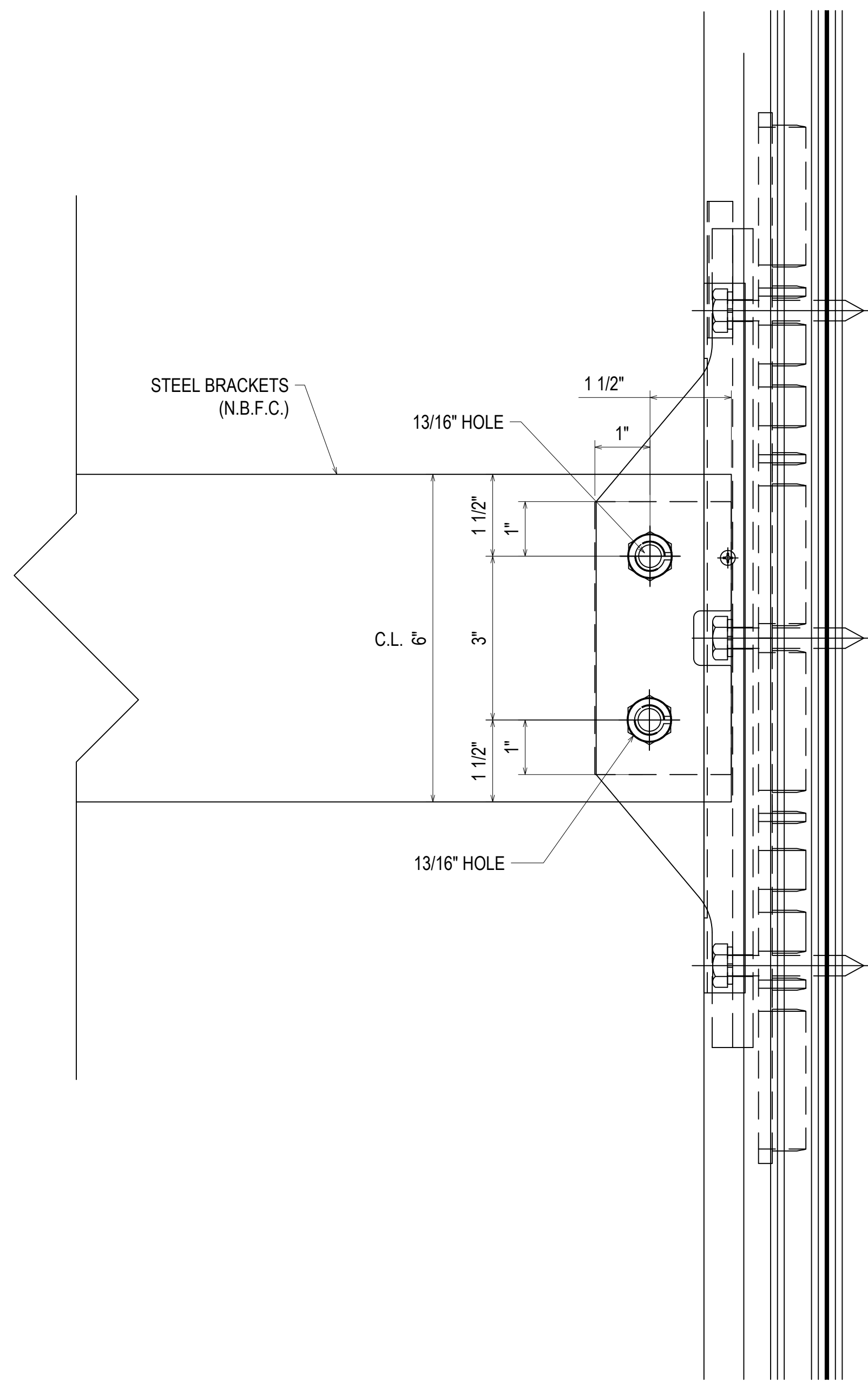
16TH REVISION BY CW	9/27/22
15TH REVISION BY CW	7/25/22
14TH REVISION BY CW	5/11/22
13TH REVISION BY CW	2/01/22
NO	DATE
DRAWING SUBMISSION	

PROJECT: NHA5/6 DATA CENTER (EXTERIOR)  
 LOCATION: HUNTSVILLE, ALABAMA  
 ERECTOR: 1ST CHOICE GLASS



DRAWN BY: DU	DATE: 6/17/21
CHECKED BY: TH	DATE: 6/17/21
JOB NO.:	

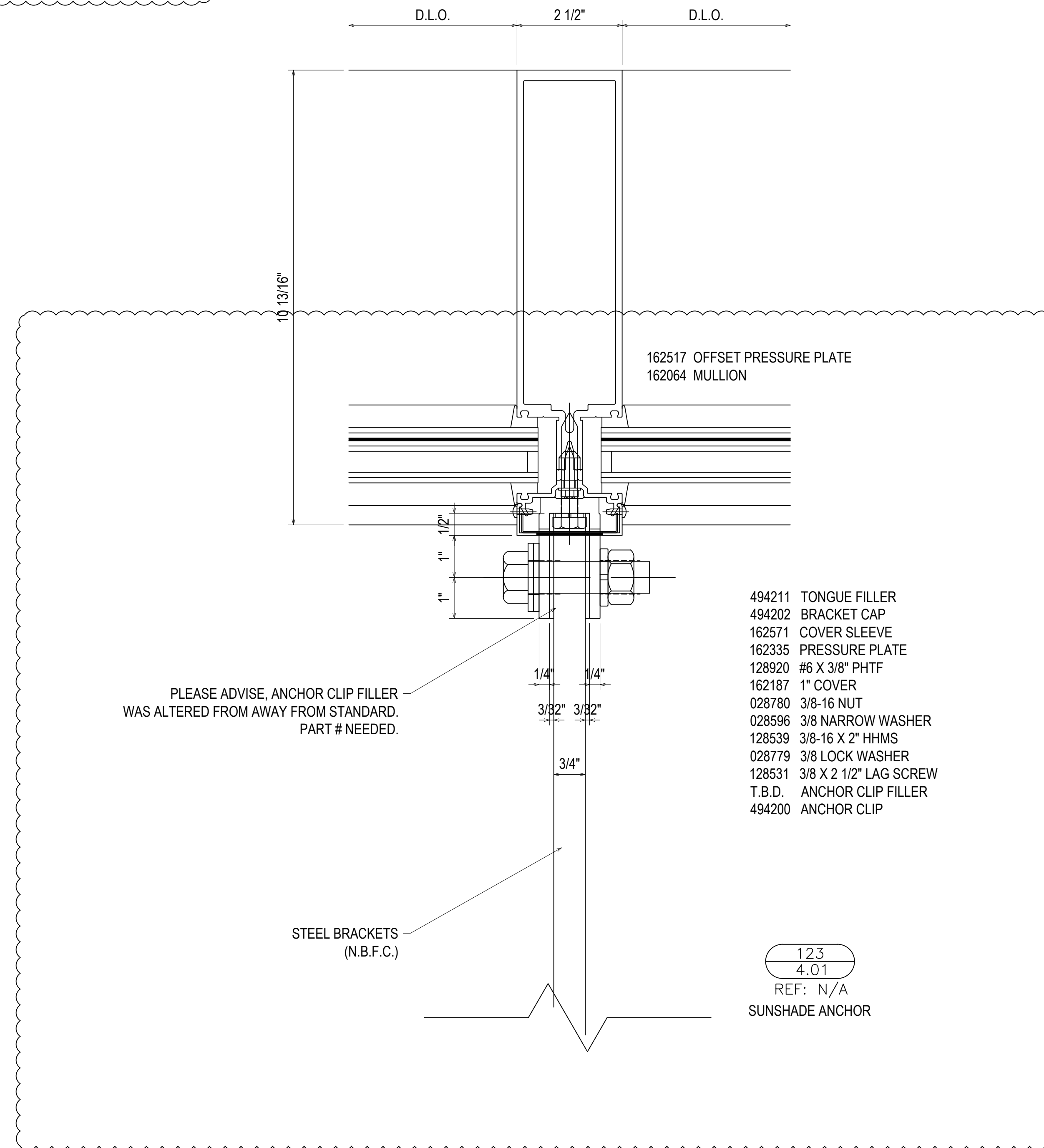
SHEET NO.: **3.13**



- 494211 TONGUE FILLER
- 494202 BRACKET CAP
- 162571 COVER SLEEVE
- 162335 PRESSURE PLATE
- 128920 #6 X 3/8" PHTF
- 162187 1" COVER
- 028780 3/8-16 NUT
- 028596 3/8 NARROW WASHER
- 128539 3/8-16 X 2" HHMS
- 028779 3/8 LOCK WASHER
- 128531 3/8 X 2 1/2" LAG SCREW
- T.B.D. ANCHOR CLIP FILLER
- 494200 ANCHOR CLIP

123  
 4.01  
 REF: N/A  
 SUNSHADE ANCHOR

THE ANCHOR CLIPS DESIGN WILL BE DETERMINED DURING ENGINEERING REVIEW. SIZE, TYPE, LOCATION AND FREQUENCY WILL BE UNDER REVIEW. STEEL REINFORCING MAY ALSO BE REQUIRED INSIDE THE CURTAINWALL MULLION TO SUPPORT THE VERTICAL SUNSHADES.



PLEASE ADVISE, ANCHOR CLIP FILLER WAS ALTERED FROM AWAY FROM STANDARD. PART # NEEDED.

- 494211 TONGUE FILLER
- 494202 BRACKET CAP
- 162571 COVER SLEEVE
- 162335 PRESSURE PLATE
- 128920 #6 X 3/8" PHTF
- 162187 1" COVER
- 028780 3/8-16 NUT
- 028596 3/8 NARROW WASHER
- 128539 3/8-16 X 2" HHMS
- 028779 3/8 LOCK WASHER
- 128531 3/8 X 2 1/2" LAG SCREW
- T.B.D. ANCHOR CLIP FILLER
- 494200 ANCHOR CLIP

123  
 4.01  
 REF: N/A  
 SUNSHADE ANCHOR

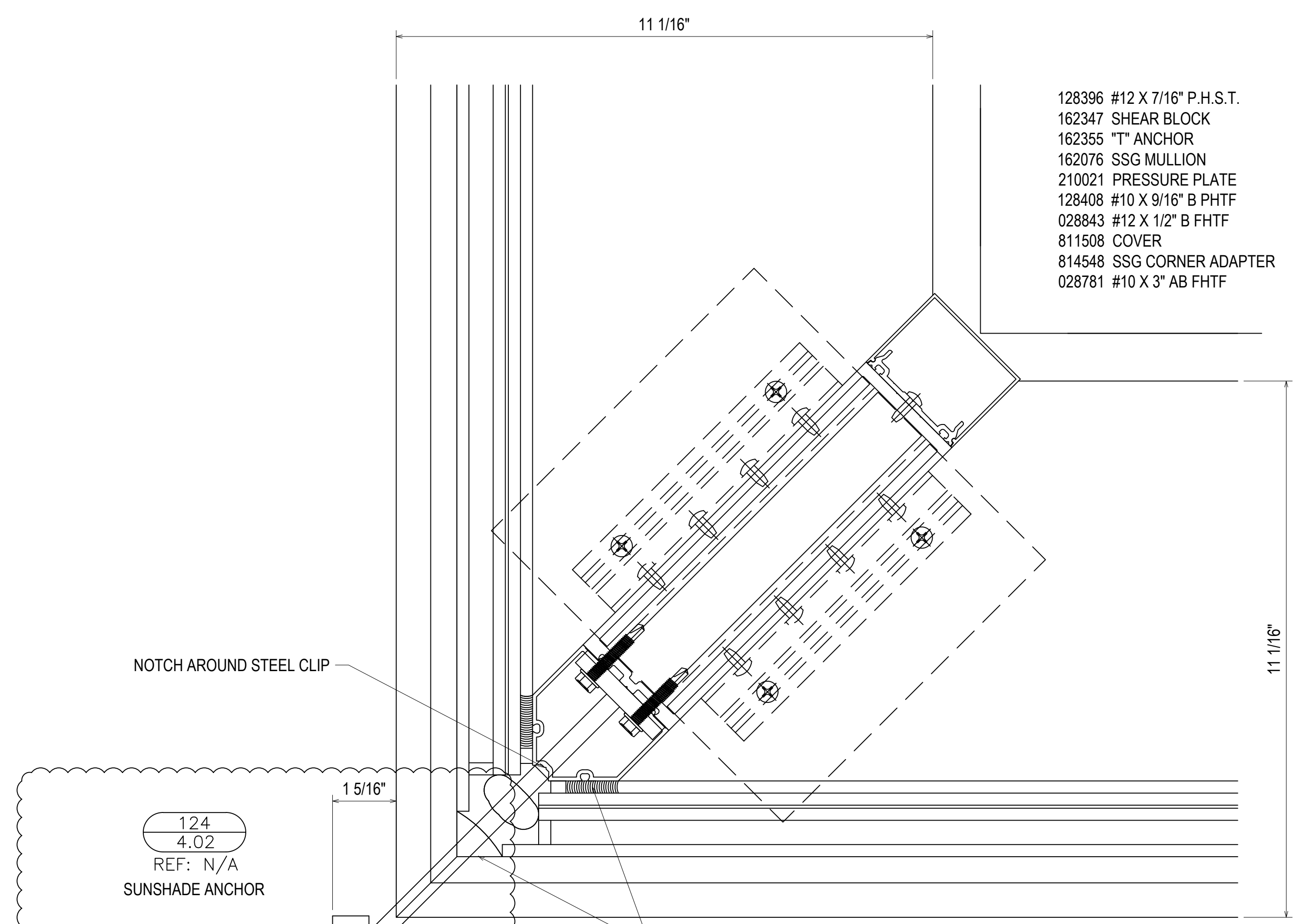
NO	DESCRIPTION	DATE
16TH	REVISION BY CW	9/27/22
15TH	REVISION BY CW	7/25/22
14TH	REVISION BY CW	5/11/22
13TH	REVISION BY CW	2/01/22

DRAWING SUBMISSION

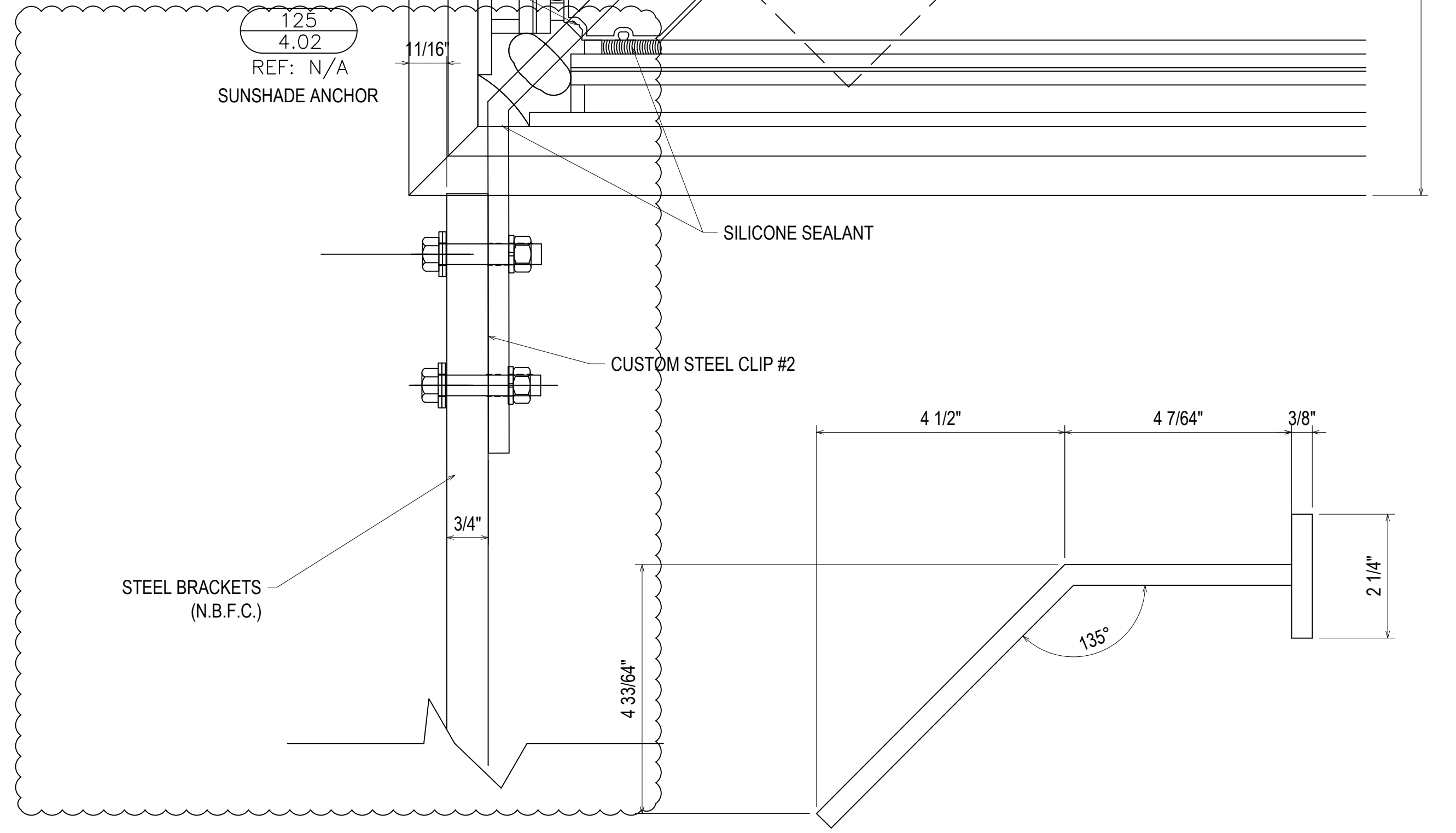
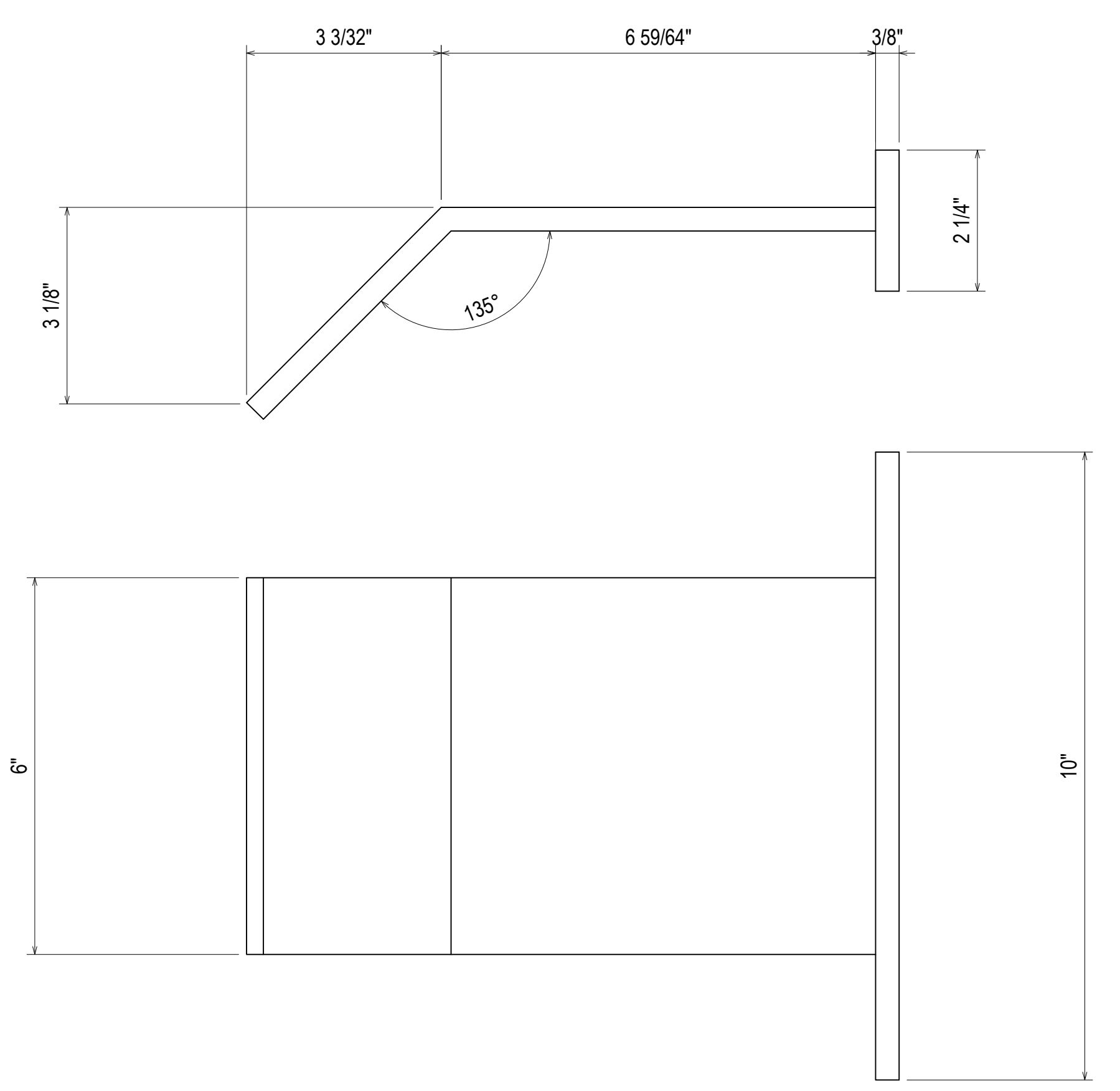
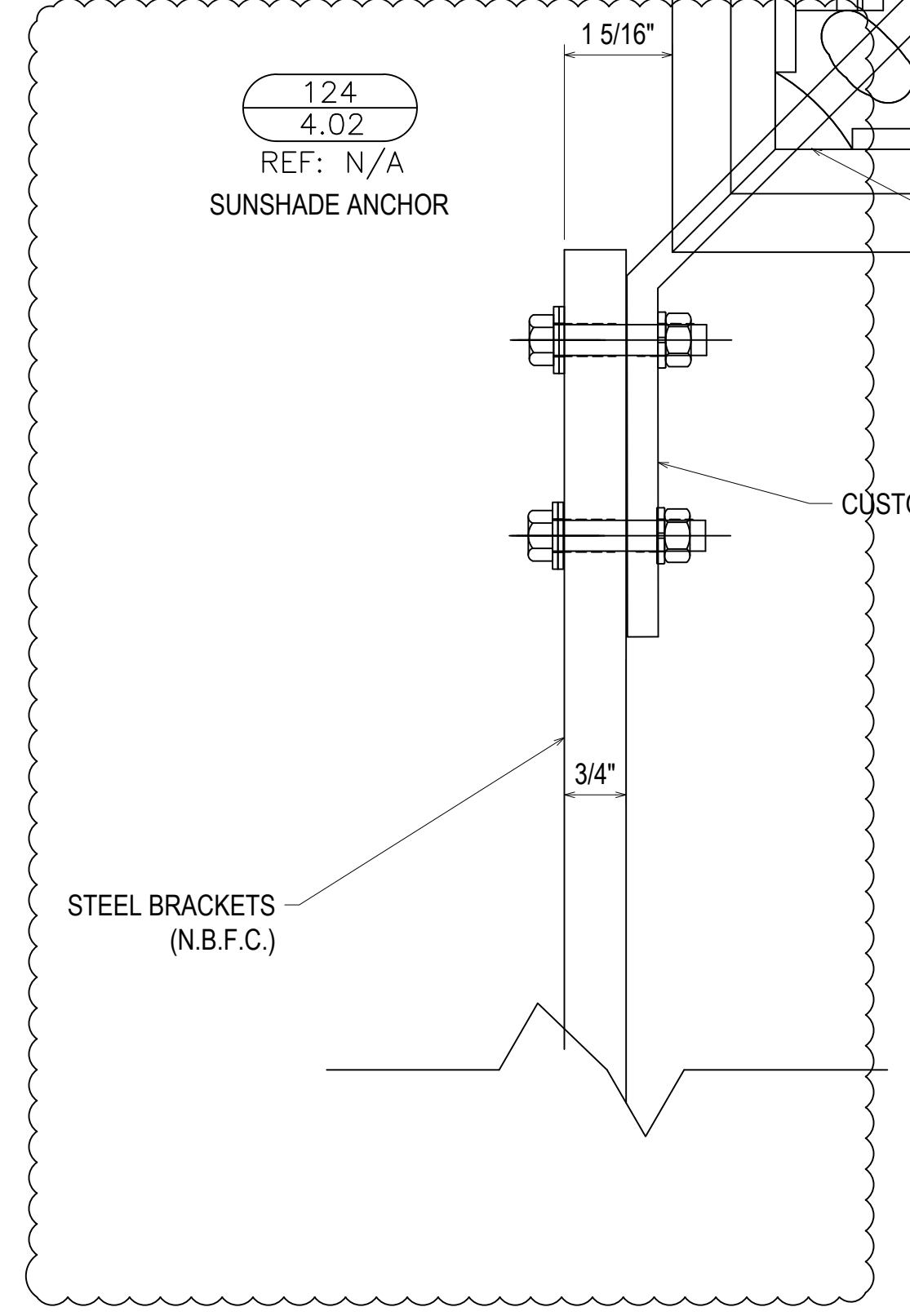
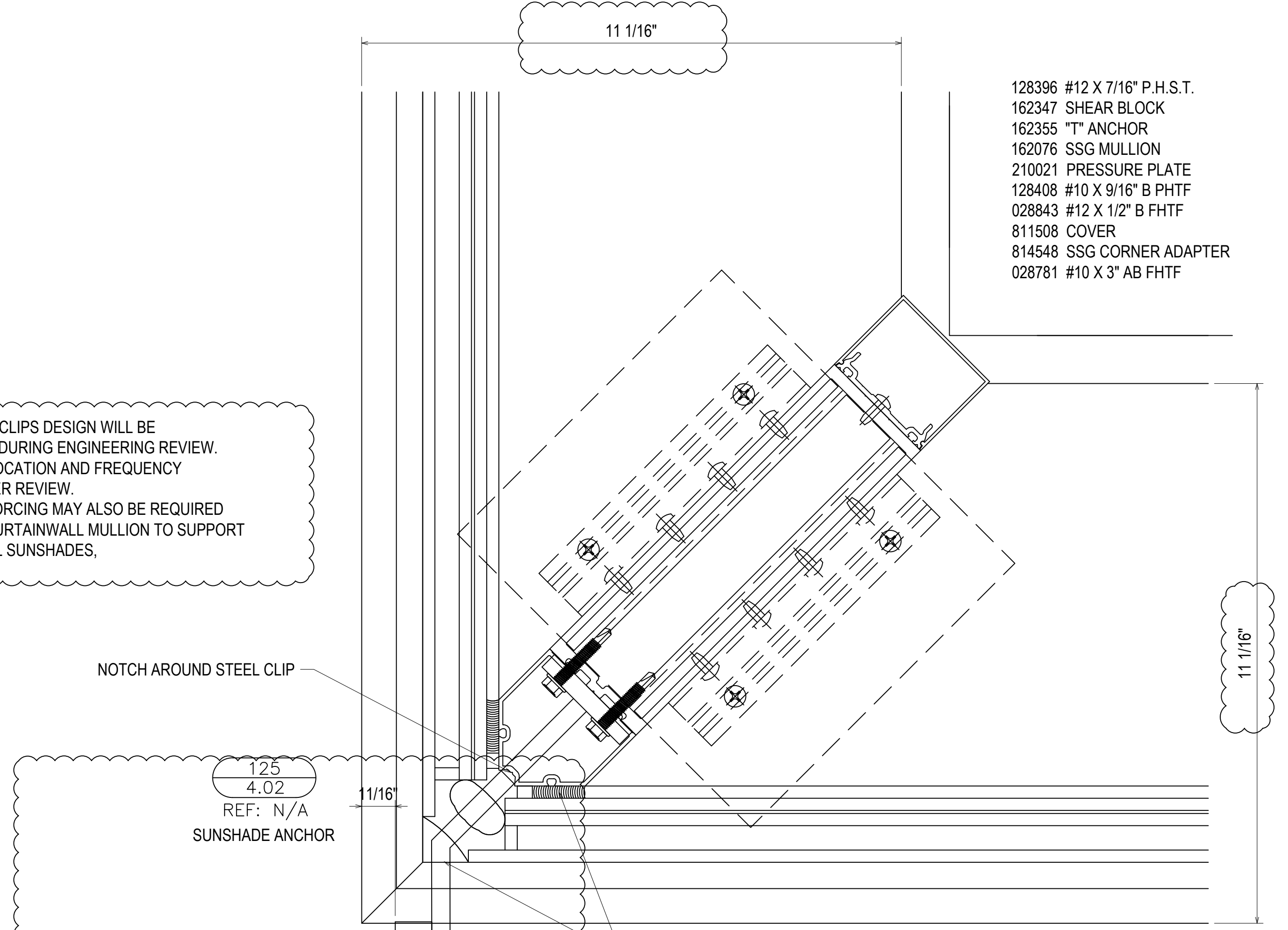
PROJECT: NHA5/6 DATA CENTER (EXTERIOR)  
 LOCATION: HUNTSVILLE, ALABAMA  
 ERECTOR: 1ST CHOICE GLASS

DRAWN BY: DJ	DATE: 6/17/21
CHECKED BY: TH	DATE: 6/17/21

SHEET NO.: **4.01**



THE ANCHOR CLIPS DESIGN WILL BE DETERMINED DURING ENGINEERING REVIEW. SIZE, TYPE, LOCATION AND FREQUENCY WILL BE UNDER REVIEW. STEEL REINFORCING MAY ALSO BE REQUIRED INSIDE THE CURTAINWALL MULLION TO SUPPORT THE VERTICAL SUNSHADES.



NO	DESCRIPTION	DATE
16TH	REVISION BY CW	9/27/22
15TH	REVISION BY CW	7/25/22
14TH	REVISION BY CW	5/11/22
13TH	REVISION BY CW	2/01/22

DRAWING SUBMISSION

PROJECT: NHA5/6 DATA CENTER (EXTERIOR)  
 LOCATION: HUNTSVILLE, ALABAMA  
 ERECTOR: 1ST CHOICE GLASS



DRAWN BY: DU	DATE: 6/17/21
CHECKED BY: TH	DATE: 6/17/21
JOB NO.:	

SHEET NO.: 4.02