



**A SMART SOLUTION TO SOUND
AND SPACE DISTRACTIONS**

**Introduction
smartBOX Group**

Set any space to quiet.

phoneBOX

Size: 46W x 42D x 89H

SOMETIMES THE NOISE IS YOU. GO AHEAD, TALK LOUD.
PRIVATE PODS SO YOU DON'T MISS A CONNECTION.

Standard Features

- Occupancy sensor
- Power
- USB
- 3 variable speed high efficiency circulating fans
- Tempered glass door
- Casters and leveling glides
- Removable acoustic panels
- 10-foot power cord

Options

- Electric height adjustable work surface
- Brushed stainless work surface
- Seismic floor mounting hardware
- Upholstered stool
- Comfortable cushioned bench with upholstered back
- White board



Set any space to quiet.



phoneBOX

SPECIFICATIONS

The smartBOX company offers an affordable solution to sound and space distractions.

Model Number: SBPB-4488

DIMENSIONS	W	D	H	LBS
Standard Booth Interior	41"	37"	80"	520
Standard Booth Exterior	46.5"	42"	89"	520
Standard Booth Crated	91"	32"	56"	892

Includes

Adjustable LED lighting, occupancy sensor, power, USB, variable speed high efficiency circulating fans, and tempered glass door, casters and leveling glides, removable acoustic panels, 15-foot power cord

Options

- Electric height adjustable work surface, upholstered stool, additional fan, brushed stainless work surface
- Seismic floor mounting hardware

Available In

- 10 standard laminates
- 8 standard acoustic felts
- For more information on finishes and options visit us at: www.thesmartboxcompany.com

SIMPLE TO MOVE | SIMPLE TO INSTALL

- Built with sustainably sourced and recyclable materials
- Class A fire rated
- 5 year warranty
- Moves easily around any office or facility on heavy duty rolling casters
- UL approved electrical system

For additional information contact your local dealer or the smartBOX company:

1 800.664.6427 | solutions@thesmartboxcompany.com
thesmartboxcompany.com



INSIDE THE BOX

phoneBOX comes equipped with many standard features to create an exceptional user experience.

Ventilation

Three powerful, concealed fans provide best in class air circulation.

Acoustic Panels

phoneBOX's sound absorbing panels are manufactured from a combination of recycled material and provide a quiet and secure environment.

Wiring

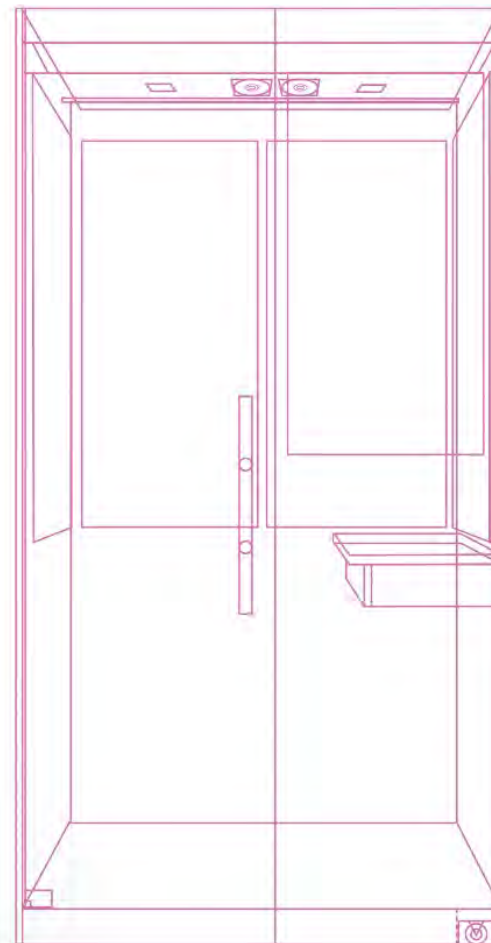
Dual USB ports and duplex outlets installed to power and charge devices.

Footprint

Designed to accommodate one user comfortably, phoneBOX can easily fit into whatever space you have.

Flooring

Sound absorbing, durable commercial carpet made from 100 % recycled material.



Lighting

High quality LED lighting gently illuminates your work space without adding heat.

Durability

Built for stability, strength, and safety, phoneBOX uses fire resistant materials, heavy duty casters and industrious components designed to last for years.

Productivity

Every phoneBOX comes with a work surface equipped with power and USB to maximize productivity and comfort. Personalize your phoneBOX with a height adjustable desk.

Privacy

A tempered glass door and a solid front panel provide the user with visual privacy.

Mobility

Effortlessly move your phoneBOX to create new office layouts any time you want.

Set any space to quiet.

Case Study

phoneBOX



Jawad Ahsan
Chief Financial Officer
AXON Enterprise Inc.

WATCH VIDEO



Set any space to quiet.

workBOX

Size: 48 x 96

MEETINGS ON THE FLY? TOUCH DOWN AND STAY IN TOUCH WITH THESE HUDDLE ROOMS.

Standard Features

- Tempered sliding glass doors
- Adjustable LED lighting
- Occupancy sensor
- Power
- USB
- Integrated air circulation system combines intake and exhaust fans to maximize air flow
- Casters and leveling glides
- Removable acoustic panels
- 10-foot power cord

Options

- Electric height adjustable work surface
- Upholstered stool
- Brushed stainless work surface
- White boards
- Seismic floor mounting hardware



Space for Creative conversations and more

- A quiet place to focus and get things done
- workBOX is a place for video meetings, interviews, conference calls or personal office
- Each workBOX can be customized as needed for the application
- Roll workBOX from area to area as needed



Set any space to quiet.

Custom size workBOX



Technology Company

78"Deep x 108"Wide

Sliding door and meltaway ceiling tiles,
case-goods and table packages

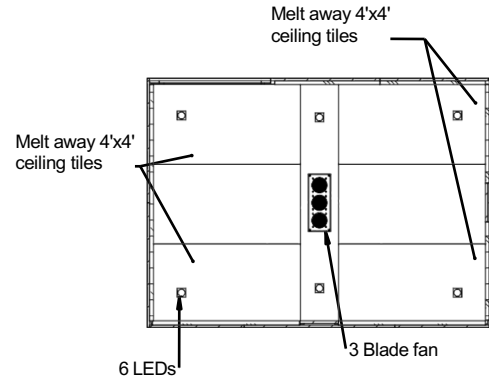
Multiple applications include:

private office, lounge, video and in person conferencing



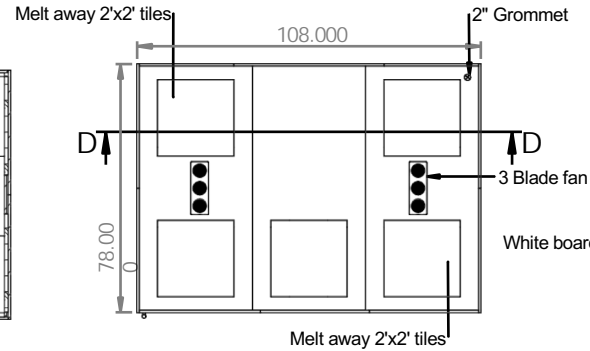
Set any space to quiet.

4



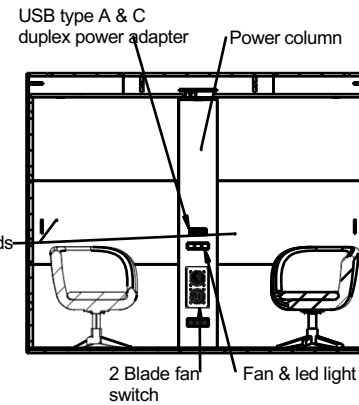
SECTION B-B
(inside ceiling view)

3



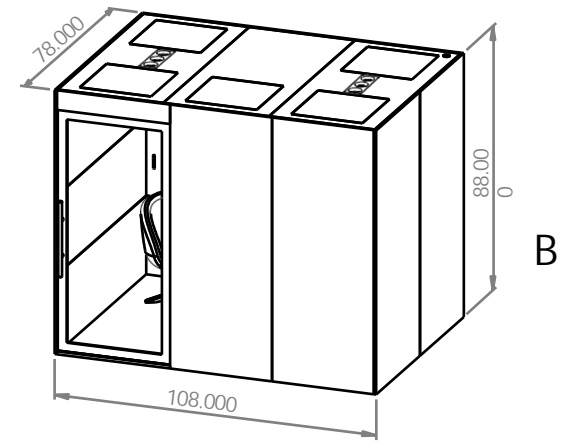
EXTERIOR ROOF VIEW

2



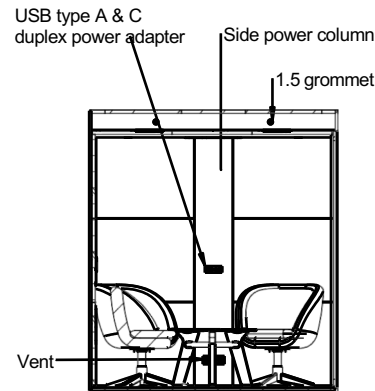
SECTION D-D
(back wall view)

1

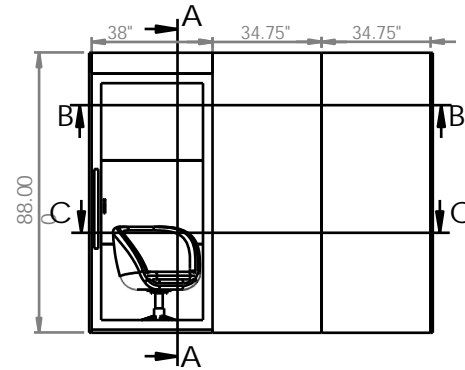


3D VIEW

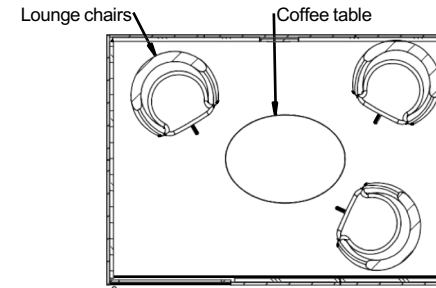
A



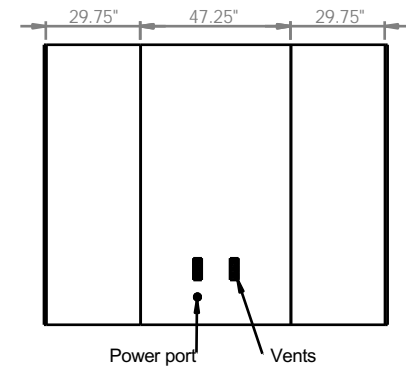
SECTION A-A
(right interior panel view)



FRONT ELEVATION



SECTION C-C
(inside floor view)



BACK ELEVATION

Technology Company Option 1 Lounge

78"Deep x 108"Wide

4

3

2

1

workBOX GG2022
TITLE:
MATERIAL
NOTES: 4TH VERSION

REV
A
smart
BOX
SCALE: 1:40
SHEET 1 OF 1

THE INFORMATION CONTAINED IN THIS DRAWING IS THE SOLE PROPERTY OF ALL WOOD TREASURES CO. ANY REPRODUCTION IN PART OR AS A WHOLE WITHOUT THE WRITTEN PERMISSION OF ALL WOOD TREASURES CO. IS PROHIBITED.

DIMENSIONS ARE IN INCHES



Set any space to quiet.

workBOX^{ADA}

Size: 68 x 84

RAMPED UP. OUR SURPRISINGLY SPACIOUS, WELL-DESIGNED ADA-COMPLIANT PODS OFFER A SENSE OF SERENITY.

Standard Features

- Tempered sliding glass door with glass sidelights
- Adjustable LED lighting
- Occupancy sensor
- Power
- USB
- Integrated air circulation system combines intake and exhaust fans to maximize air flow
- Leveling glides
- Removable acoustic panels
- 10-foot power cord
- Standard 24"x 60" worksurface
- 40" wide black steel access ramp

Options

- Electric height adjustable work surface
- White board

** Designed to meet ADA guidelines*



Set any space to quiet.



healthBOX

Sizes: 48 x 60 | 48 x 72 | 60 x 60 | 60 x 72

Standard Features

- Tempered sliding glass doors
- Adjustable LED lighting
- Occupancy sensor
- Power
- USB
- Integrated air circulation system combines intake and exhaust fans to maximize air flow
- Casters and leveling glides
- Removable acoustic panels
- 10-foot power cord

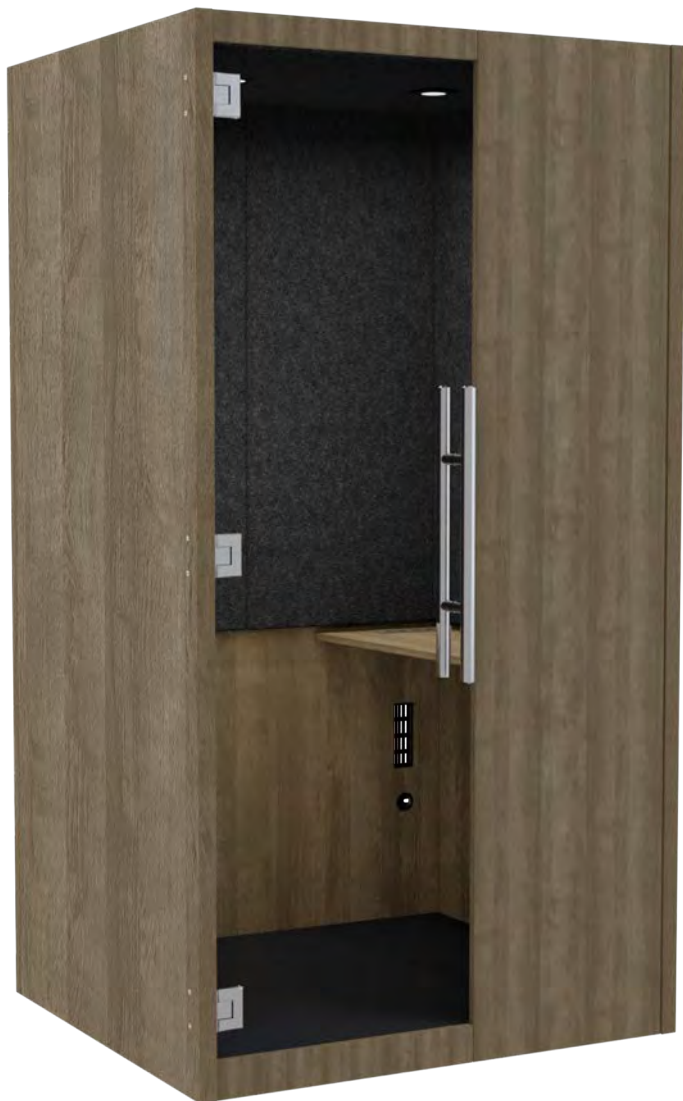


healthBOX Applications

- Healthcare hospitals and campuses
- Conference and meeting
- Continuous education, study rooms
- Patient consultation
- In-take room
- Patient treatment rooms
- Vaccine administration
- Nursing mothers
- Medical research facilities
- Pharma and Biotechnology
- Teledoc videodocor booths



Set any space to quiet.



Quiet Acoustic Panels

POLY CONTENTS

- 100% polyester with 60% recycled content
- Class A fire-rated per ASTM E-84
- 0.75 NRC
- Tackable surface
- No Formaldehyde
- No volatile organic compounds

PET CONTENTS

- 100% polyester with 80% recycled content
- Class A fire-rated per ASTM E-84
- 0.75
- 12 NRC
- No Formaldehyde
- No volatile organic compounds

UNIQUE FEATURES

- Removeable
- Replaceable
- Customizable
- Custom laminates, fabrics or materials,

PANEL CONSTRUCTION

- 3 Layers of acoustic material
- 12mm PET
- 25mm Polyester
- 2mm Felt

39m
m



Ventilation

- Measured in cubic feet per minute, cfm is a **measurement of airflow volume** determined by how many cubic feet of air pass by a stationary point in one minute.
- smartBOX booths incorporate the finest quality fans activated by occupancy sensor to bring air in and circulate air out of each workBOX.
- **smartBOX industry leading air circulation** contributes to a healthy work environment.



2-Blade Intake fans



3-Blade Exhaust fans



Air vents

Power and Lighting

- All smartBOX pods come standard with 2 power outlets rated 15A/125VAC and USB Type A + USB Type C chargers wall mounted for convenience.
- Power modules and components are UL Listed.
- workBOX units may be equipped with additional power and USB upon request and are designed to support your audio and video conferencing needs.
- LED task and ambient lighting systems are provided by **HÄFELE** and activated automatically by occupancy sensor.
- Founded in 1923, **HÄFELE** is one of the furniture industries largest and most important suppliers of equipment and components and provides exceptional quality products.
- All smartBOX pods are **“Plug and Play”**. Powered with a 10’ power cord connected to any standard wall outlet. Power cord is included.



Mobility

- Fully assembled booths glide effortlessly across office, healthcare or educational facilities with no disassembly required.
- Unplug and roll.
- Save money on office moves.
- Easy moves adds and changes with offices on wheels.



WATCH VIDEO



Sustainably Sourced materials

smartBOX Group is committed to manufacturing sustainable, earth friendly products and is constantly working to incorporate the most effective, clean and recycled materials into our system.

All smartBOX products are designed and packaged to produce the least amount of waste possible as we attempt to reduce, reuse, and recycle materials wherever possible.

No red list chemicals are present in the materials used in manufacturing smartBOX products

Every smartBOX product is built in Tempe, Arizona under strict environmental regulations.

workBOX Components:

Complete workBOX: 75% -80% of the total content of our case-goods product is manufactured with recycled material. Over 85% of the total contents of workBOX booths can be recycled at end of life-cycle.

Particle board: 100% pre-consumer recycled wood waste / 100% recycle-able.

Carb2, ECO-CERTIFIED, FSC

Acoustic material: Manufactured from Recycled PET Bottles and virgin polyester fibers, the finished acoustic panels contain 70% to 80% recycled plastic / 100% recycle-able.



Target Markets



EDUCATION

- K-12
- College & University
- Distance Learning



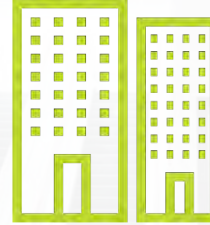
HEALTHCARE

- Hospitals
- Clinics
- Research Facilities
- Doc in a Box



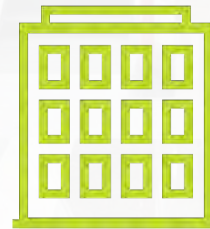
GOVERNMENT

- Federal
- Military
- State and Local



CORPORATE

- Biotech/Pharma
- Technology
- Manufacturing
- Distribution centers
- Co-working facilities
- Financial



HOSPITALITY

- Hotel lobbies and business center
- Gaming
- Meeting and Convention centers

Built to last

Limited lifetime warranty



This warranty is given to the initial purchaser and is valid for as long as the product is owned by the original buyer.

The warranty, which runs from the date of manufacture, covers manufacturing and materials found during normal usage of the products during the warranty period.

If a product is defective, and if written notice of the defect is given to smartBOX within the applicable warranty period, smartBOX (at its option) will either repair or replace the defective product with a comparable component or product.

The limited lifetime warranty applies to all products regardless of the number of shifts the product is used each day except as noted below.

Set any space to quiet.

Custom finish Options



smartBOX ships crated for safe transit

- Every smartBOX booth is individually packed and palletized in its own crate
- Product is packed and positioned for easy removal to expedite assembly
- Minimal damage
- Easy pre-installation storage at installer or dealer facility



Audio Visual Packages by CCS Presentation Systems



Platinum

- Dual 43-inch Professional 4K Displays
- Camera Soundbar Below Displays
- HDMI Wall Plate
- Mounting and Cabling Equipment
- Installation Included
- Service for 1 Year Included

*Owner-furnished small form factor PC and wireless keyboard/ mouse required for Platinum option.



Gold

- 55-inch Professional 4K Display
- Camera Soundbar Below Display
- HDMI/USB Wall Plate
- Mounting and Cabling Equipment
- Installation Included
- Service for 1 Year Included



Silver

- 55-inch Professional 4K Display (Sony FWD55X81CH)
- HDMI Wall Plate
- Mounting and Cabling Equipment
- Installation Included
- Service for 1 Year Included

*Add wireless connectivity to any package for \$1,300.

*Gold and Silver Packages assume owner-furnished laptop, and all packages assume owner-provided electrical.

Pricing is subject to change based on user needs, location and availability. All projects will be quoted based on the individual profile.



Located in over 20 states nationwide.

www.ccsprojects.com

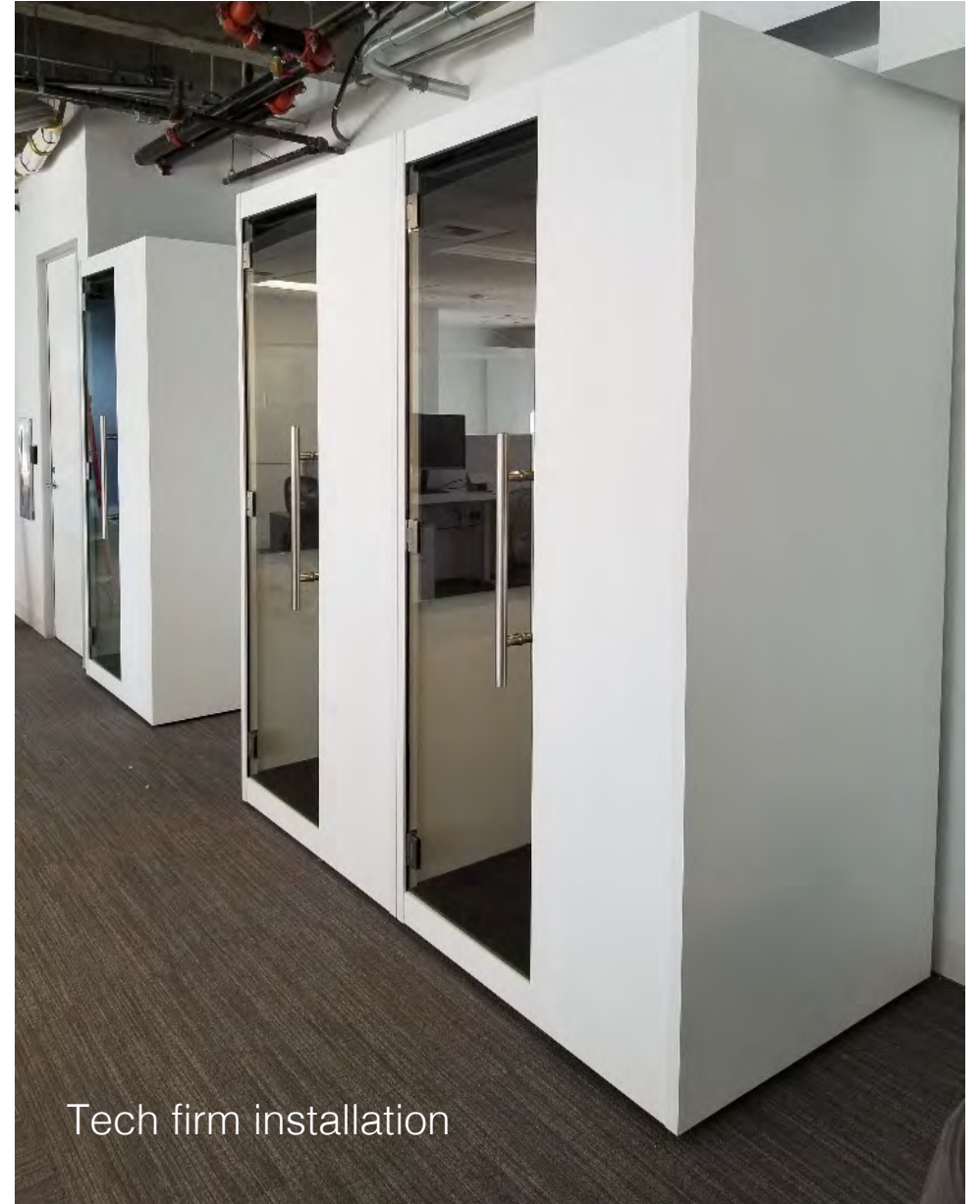


CCS is a leader in the commercial audio visual integrator industry, and a trusted resource for AV products and audio video integration. One of the largest AV integration groups in the U.S, CCS Presentation Systems has served customers in corporate, government and education markets since 1991.

CCS provides full-service integration, installation, training and maintenance of audio and video equipment, including large format LCD displays, digital projectors, interactive whiteboards, room control systems, audio systems, high-definition videoconferencing systems and more.

Dealer Focused

- Strongest value proposition in the segment
- Broadest product offering
11 standard models
- Curated collection of premium laminates and felt finishes
custom options available
- Online sales and marketing materials
- Made in the USA / Fast lead times
- Easiest assembly in the industry
- Earth friendly, sustainable, recyclable products
- Limited lifetime warranty



Tech firm installation

Set any space to quiet.

Marketing Materials



workBOX The smartBOX company offers an affordable solution to stand and quiet distractions.

workBOX ADA The smartBOX company offers an affordable solution to cover space distractions.

Specifications for workBOX:

Model Number	SKU	W	D	H	Wt
Work Box	207	30"	30"	48"	140
Box Exterior	207	30"	30"	30"	140
Box Control	207	30"	30"	30"	140

Specifications for workBOX ADA:

Model Number	SKU	W	D	H	Wt
Work Box ADA	207	30"	30"	48"	140
Box Exterior	207	30"	30"	30"	140
Box Control	207	30"	30"	30"	140

Includes:

- Tempered glass sliding doors, adjustable LED lighting, occupancy sensor panel, USB, integrated air circulation system, soundproofing and acoustical treatment, suspension air flow, rubber end-capping glides, removable acoustic panels, 15-foot power cord.

Options:

- Electric height adjustable work surface, upholstered steel, laminated melamine work surface, office table top.
- Electric floor-mount installation.

Options:

- Electric height adjustable work surface, upholstered melamine work surface, office table top, white finish, frosted glass door & keypad panel.
- Seamless floor-mounting hardware.

Single to Mass, Single to Retail:

- Each unit is factory assembled and requires no tools.
- Click-to-install.
- Lowest lifetime ownership.
- 51 approved electrical systems.

Available in:

- 30+ countries worldwide.
- 80+ brands of acoustic foam.
- 20+ colors of acoustic panels.
- 100+ applications worldwide.

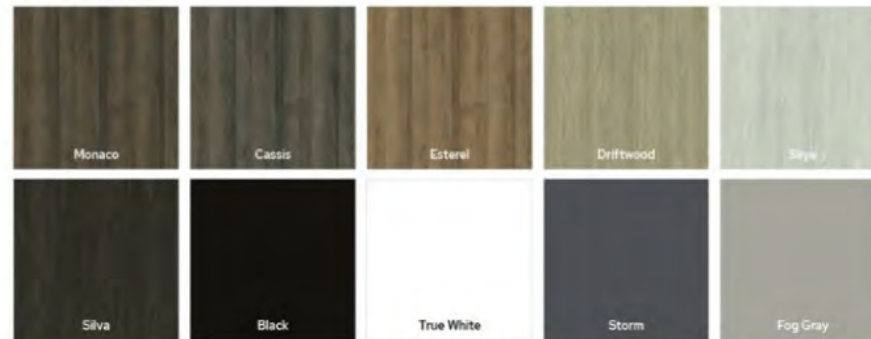
For additional information contact your local dealer or the smartBOX company:
 (800)843-2027 | sales@smartbox.com | smartbox.com

phoneBOX BY SMARTBOX

smart BOX

A SMART SOLUTION TO END SOUND AND SPACE DISTRACTIONS.

BOX Exterior Finishes



Interior Acoustic Panels



Denali DESK PROGRAM

phoneBOX Size: 40" x 42" x 45"

SOMETIMES THE NOISE IS YOU. GO AHEAD. TALK LOUD. PRIVATE YOURSELF WITH A CONNECTION.

Standard Features:

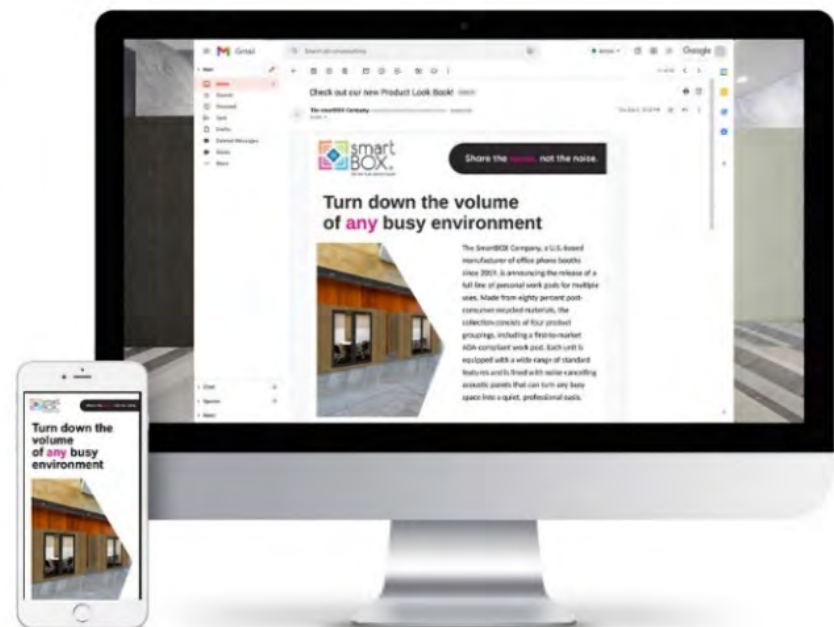
- Occupancy sensor
- Phone
- USB
- 3 variable speed high efficiency circulating fans
- Tempered glass door
- Custom and leveling glides
- Removable acoustic panels
- 15-foot power cord

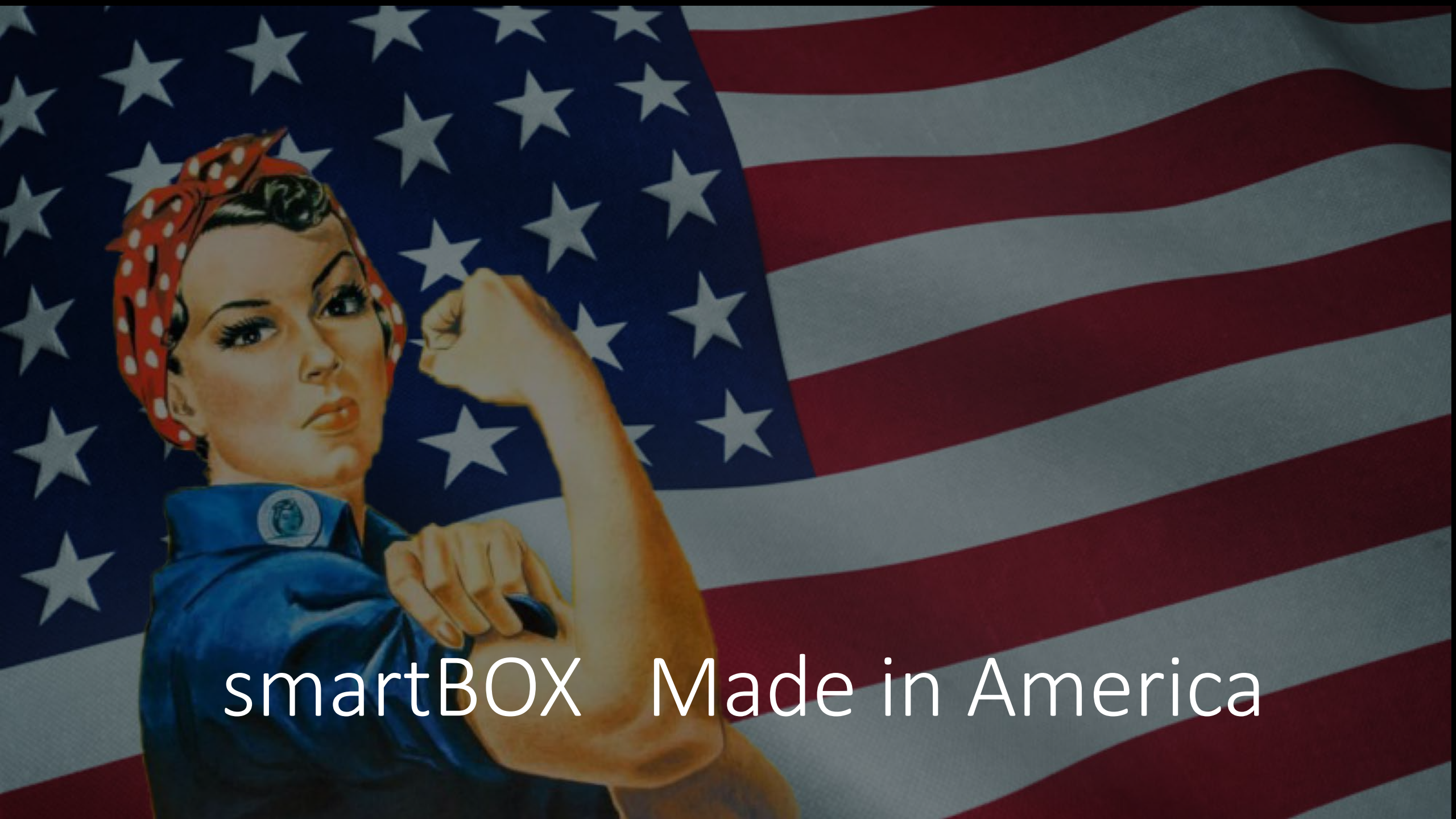
Options:

- Electric height adjustable work surface
- Brushed stainless work surface
- Electric floor-mounting hardware
- Lightsaber steel
- Comfortable upholstered bench with upholstered back
- Office board

View Product | Specifications

PRICE LIST JANUARY 2022





smartBOX Made in America

Set any space to quiet.

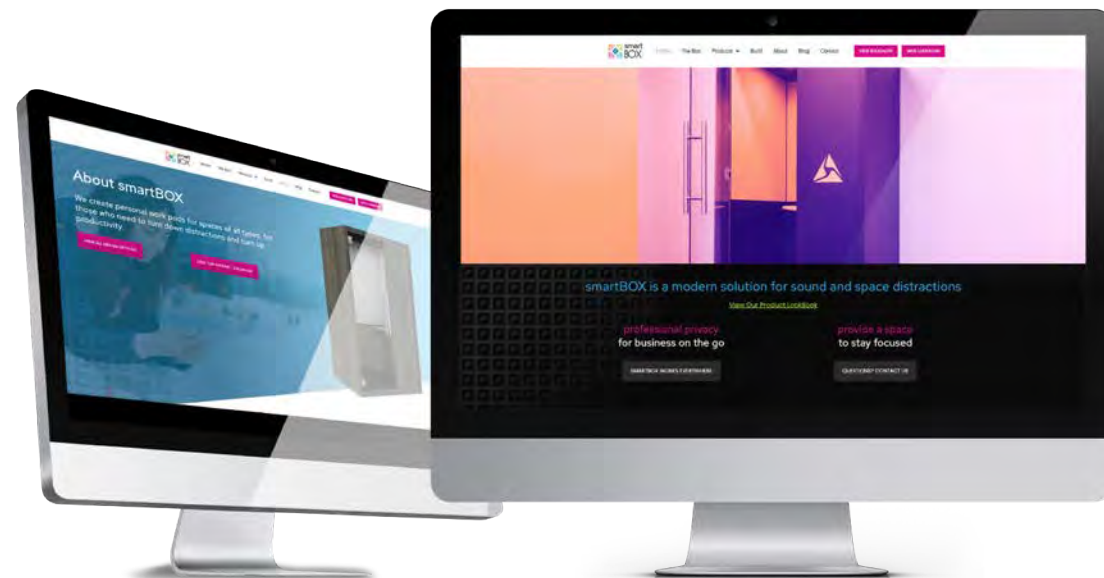


smart
BOX®

Set any busy place to quiet

SEE WHAT WE'RE ALL ABOUT

thesmartboxcompany.com



(800) 664-6427

solutions@thesmartboxcompany.com

