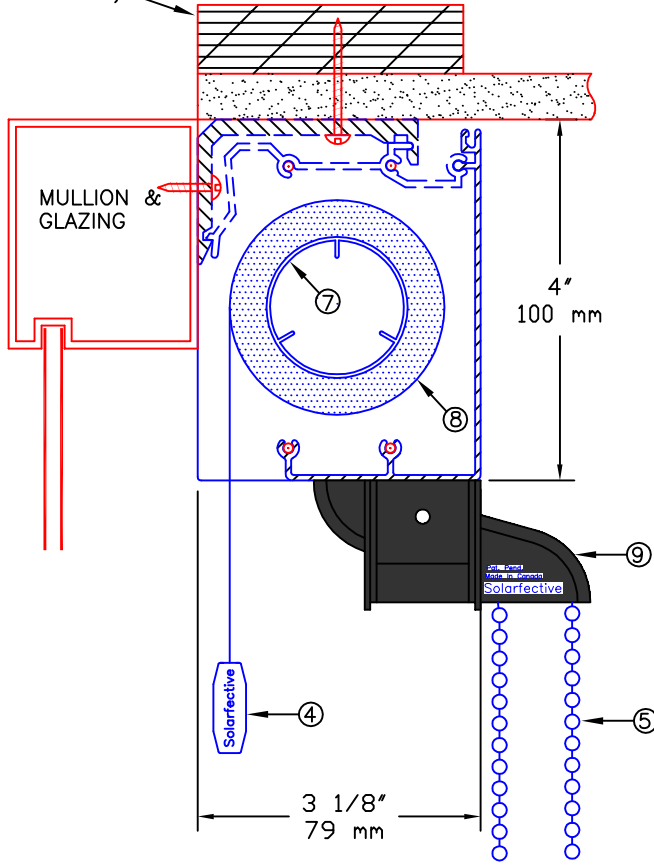
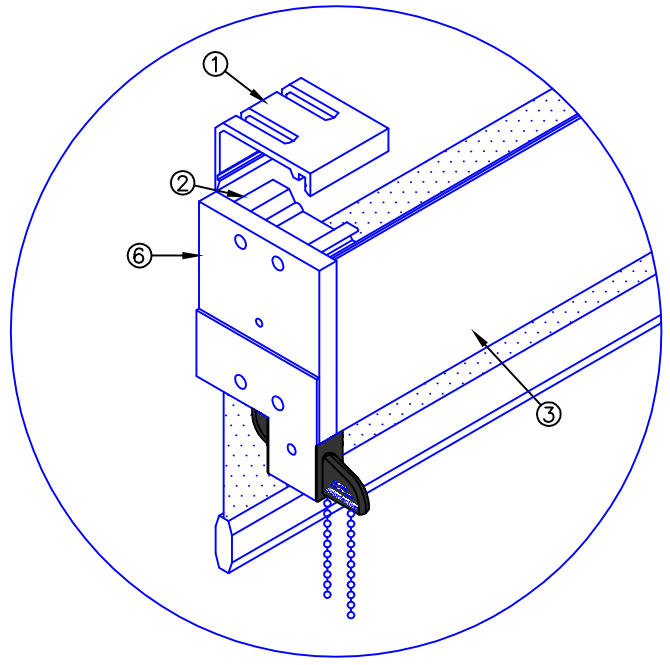
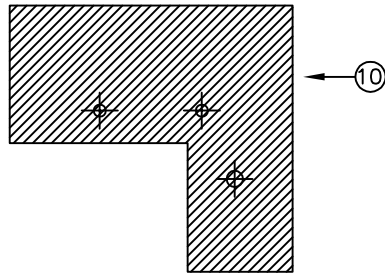
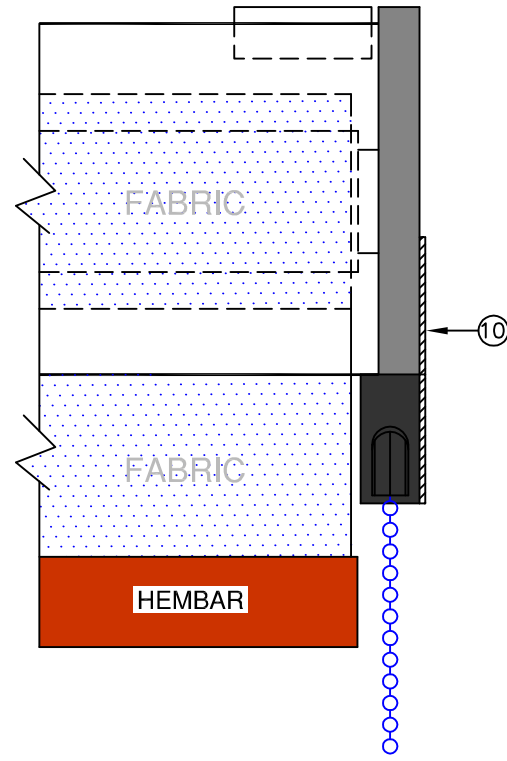


3/4" PLYWOOD
BLOCKING
(BY OTHERS)

THE TELESHADE CAN BE MOUNTED
TO THE CEILING OR TO THE
FACE OF THE MULLION



FRONT VIEW



NOTES:

1. MOUNTING ANGLE
2. SPRING CLIP
3. EXTRUDED ALUMINUM FASCIA
4. EXTRUDED ALUMINUM EXTERIOR HEMBAR
5. STAINLESS STEEL BALL CHAIN
6. ABS END BRACKETS
7. 1 1/2" Ø EXTRUDED ALUMINUM TUBE
8. FABRIC: 1%, 2%, 3%, 5%, 10% OPENNESS OR BLACKOUT
9. CHAIN RE-DIRECT (☐ BLACK ☐ GREY)
10. CHAIN RE-DIRECT (1/16" THK. ALUM. BRACKET)

Solarfective

55 Hymus Road, Scarborough
Ontario, Canada. M1L 2C6

Tel. (416) 421-3800
Fax. (416) 421-8424

Web Site: www.solarfective.com
Email: shades@solarfective.com

TELESHADE SYSTEM
SNAP-IN MOUNTING DETAIL

PROJECT:	-				
DATE:	SCALE:	FILE No.	DRAWN:	DWG. No.	REV
JAN. 01, 2015	N.T.S.	-	ADIE	T-15	0