

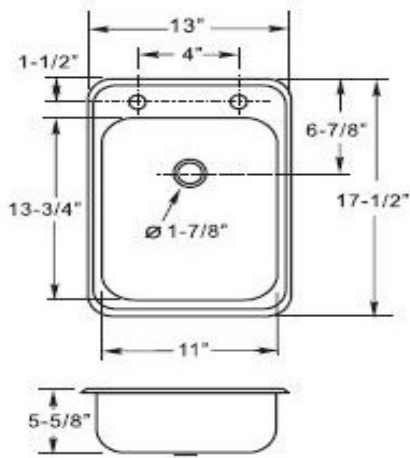
# WICKETTS STAINLESS

## SPECIFICATION

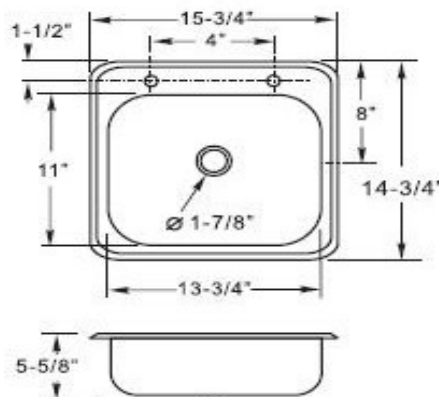
Stainless Steel Hand  
Sink WHS 1615-IG -SS

### Type 304 Stainless Steel

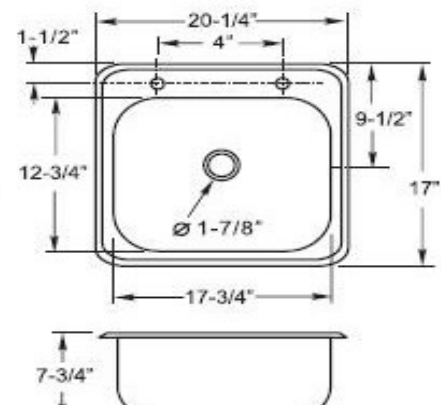
- \*Special polished satin finish.
- \*304 stainless steel, 20 gauge.
- \*Faucet & strainer included.



WHS 1317-IG



WHS 1615-IG



WHS 2017-IG

Product #	Description	Wt. lb	
WHS 1317-IGSS	Space Save Drop-In Hand Sink, Lead Free, Deep 5-5/8"	8	
WHS 1615-IGSS	Standard Drop-In Hand Sink, Lead Free, Deep 5-5/8"	8	
WHS 2017-IGSS	Extra Wide Drop-In Hand Sink, Lead Free, Deep 6-1/2"	9	

WICKETTS STAINLESS, LLC  
2618 San Miguel Dr. Bldg.# 376  
Newport Beach, CA 92660  
Tel.(951)-858-2548  
Fax.(951)-638-9059  
sales@wickettsstainless.com  
www.wickettsstainless.com



**WARNING:**  
This product can expose you to chemicals,  
which are known to the State of California to  
cause cancer. For more information, visit  
[www.P65Warnings.ca.gov](http://www.P65Warnings.ca.gov).



Approved for Manufacturing  
Company: \_\_\_\_\_  
Signature: \_\_\_\_\_

NON-CANCELLABLE NON RETURNABLE