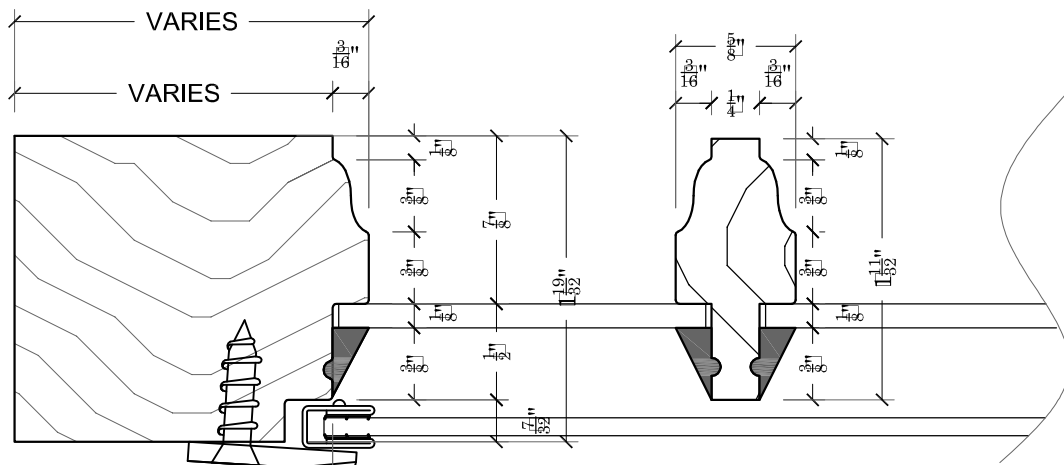
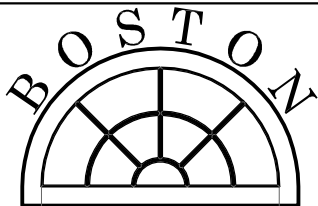


VARIES
VARIES
SINGLE STRENGTH GLASS



VARIES
VARIES
DOUBLE STRENGTH GLASS
ANNEALED OR TEMPERED



SASH & MILLWORK
667 SPRING STREET
NORTH DIGHTON, MA. 02764
PHONE # (508) 880-8808
FAX # (508) 880-8828
WWW.BOSTONSASH.COM

JOB:

B.S. & M. STANDARDS
PROFILE & GLASS OPTIONS

DESCRIPTION:

NANTUCKET EXT. E.P. PROFILE
CASEMENTS & AWNINGS & FIXED

DRAWN BY:

KEITH KUTHAN

JOB NO:

B.S.S.

DWG. NO:

SK-1.1

DATE:

1/11/2015

SCALE:

F.S.

SHEET:

2 OF 10