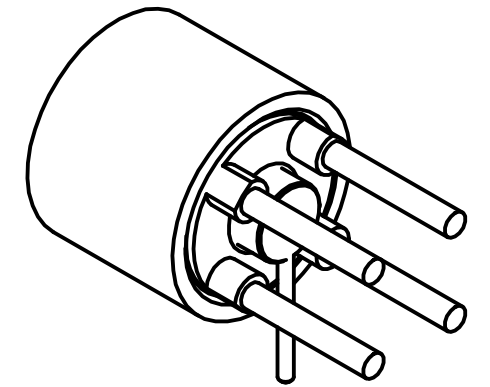
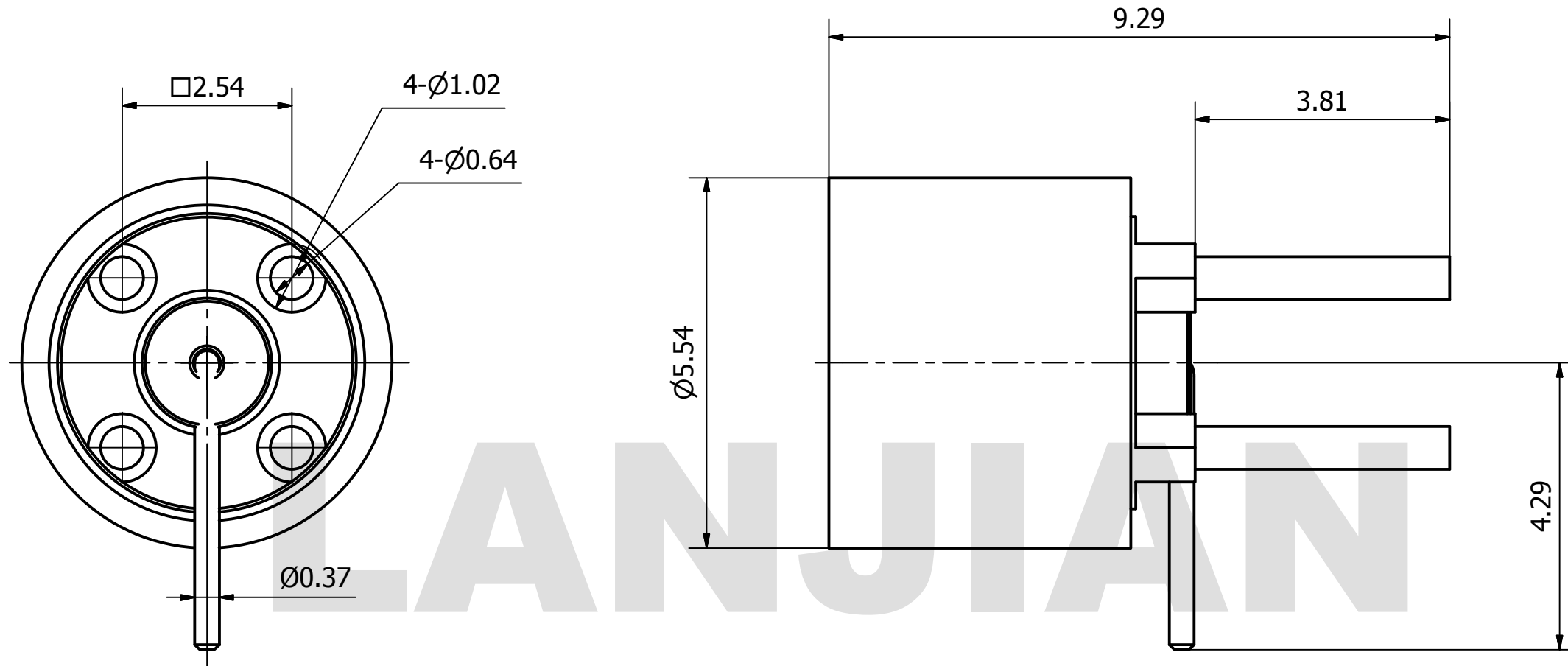


PRODUCT DATA SHEET



MATERIAL:

BODY: STAINLESS STEEL PER AMS-5640,
ALLOY UNS S30300
BERYLLIUM COPPER PER ASTM B196.
ALLOY NO. UNS C17300

CONTACT: BERYLLIUM COPPER PER ASTM B196.
ALLOY NO. UNS C17300

INSULATOR: PTFE PER ASTM D1710

PERFORMANCE:

IMPEDANCE: 50 OHMS
FREQUENCY: DC TO 6 GHz
VSWR: ≤ 1.25

THIS DOCUMENT CONTAINS CONFIDENTIAL AND PROPRIETARY INFORMATION THAT CANNOT BE REPRODUCED OR DIVULGED, IN WHOLE OR IN PART, WITHOUT WRITTEN AUTHORIZATION FROM "LANJIAN ELECTRONICS"	MATERIAL : UNLESS OTHERWISE SPECIFIED: DIMENSIONS IN MM			38 Hengtong Road, Xinqu Dingmao Zhenjiang, 212009, Jiangsu, P. R. China	
	TOLERANCES : X.X ± 0.20 ANGULAR : ± 1° DEBURR AND X.XX ± 0.10 FILLETS R/C : ± 0.10 BREAK SHARP X.XXX ± 0.01 SURFACE FINISH : Ra 1.6 EDGES				
		NAME	DATE	SIGNATURE	
	DRAWN				
	CHK'D				
	APPV'D				
MFG					
PROJECTION 		SIZE A3	SCALE 12 : 1	SMP01036/1145 straight PCB connector	
			DWG No. GCPZ3.650.G.007	REV. 1 / 1	
			DO NOT SCALE THE DRAWING		