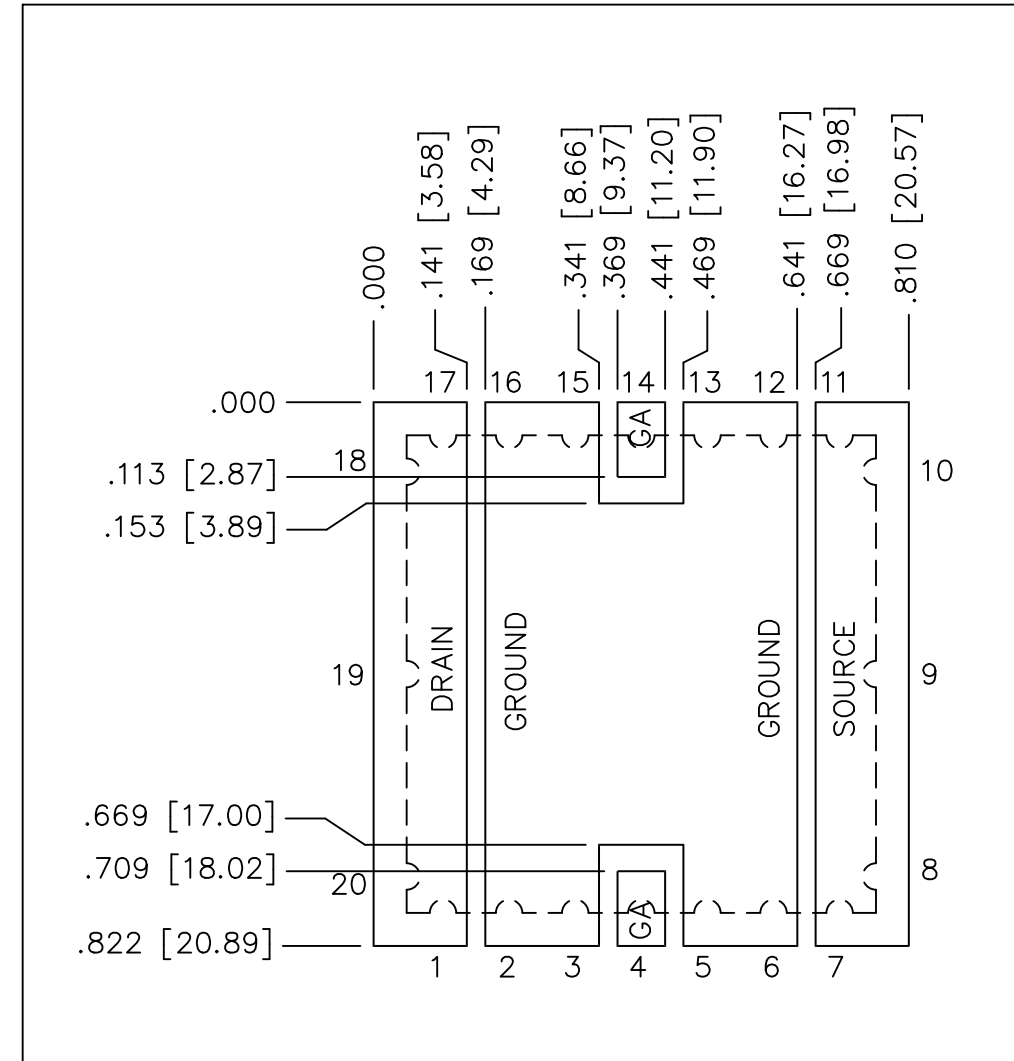
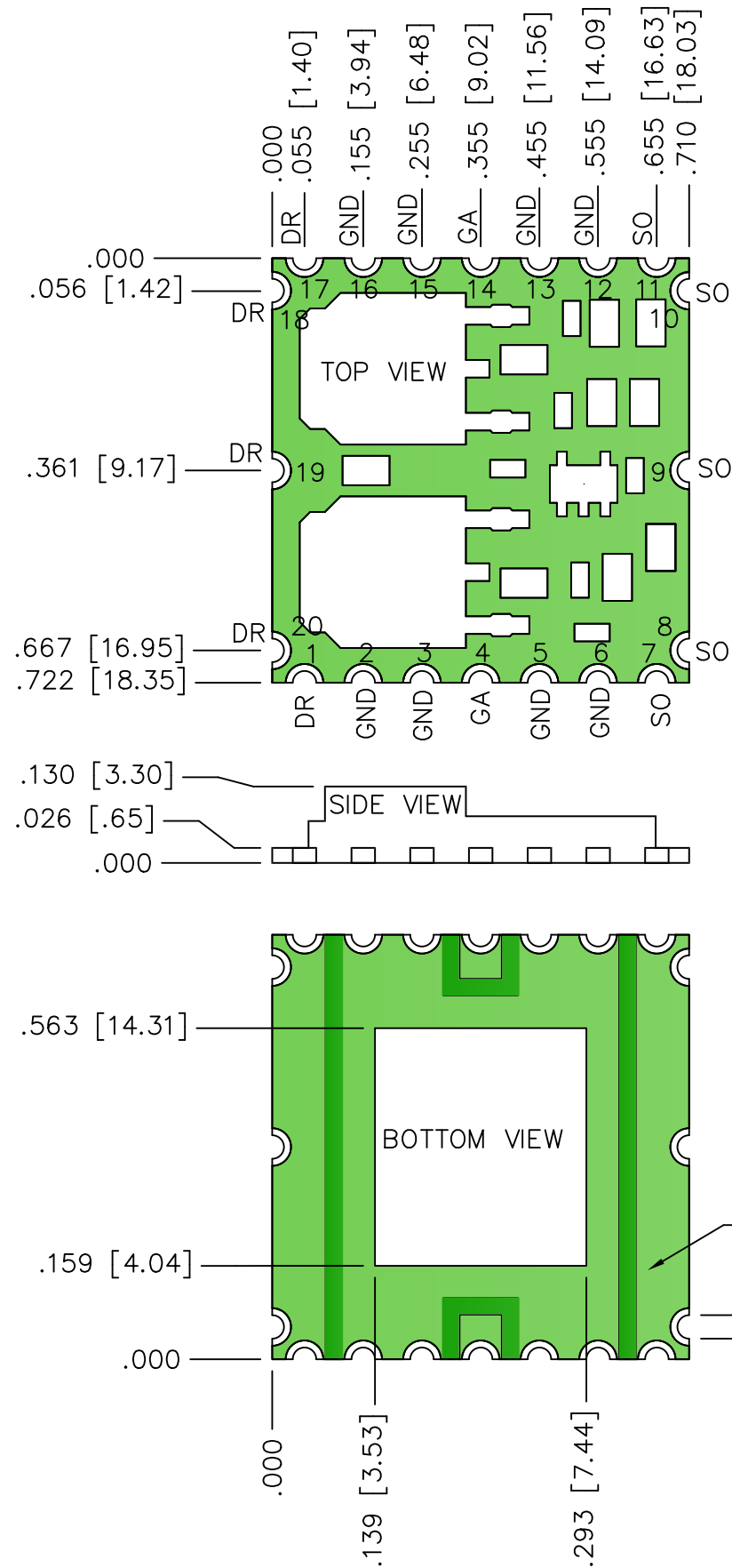


# OUTLINE & LAND PATTERN, 335C



TOLERANCE IS  $\pm .005$ " [.13mm]  
UNLESS OTHERWISE SPECIFIED

**XSYSTOR**

REF: E420029