

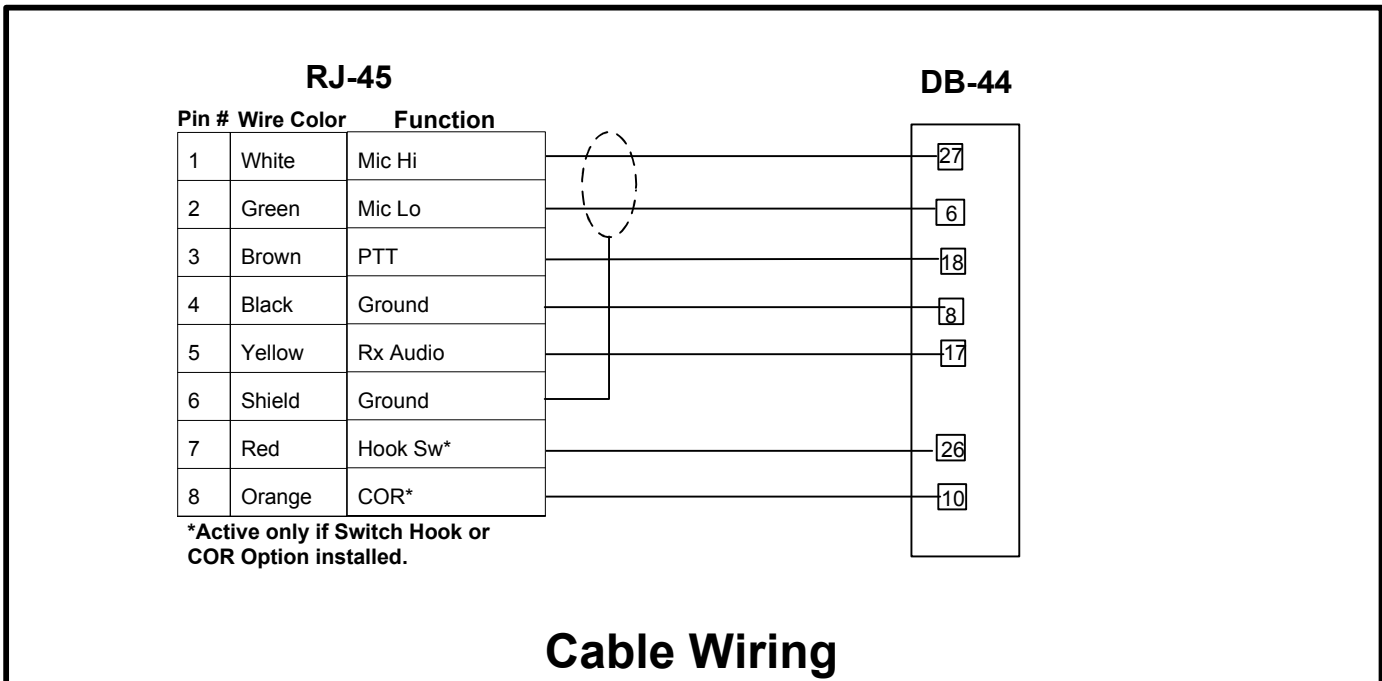
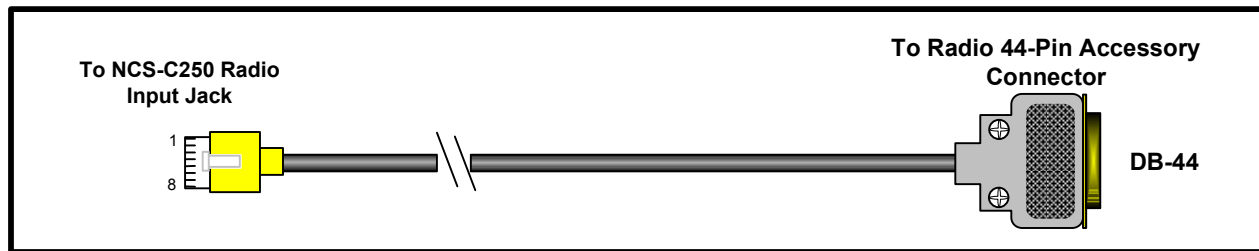
Radio Interface Cable

For NCS-C250 Mobile Multi-Switcher

NCS Model Number
NCS-250-ALA-XX

Compatible Radios:

Harris M5300	Harris XL-200M
Harris M7300	
Harris XG-100M	
Harris XG-75M	
Harris XG-25M	



Note:

1. Program PTT on pin 18 (**INP1**) of the DB-44 Accessory Connector. Configure via the "Auxiliary Input 1" in the Radio Personality Manager's (RPM's) External I/O dialog Box.
2. Program External Mute (COR/TOR) on pin 10 (**OUT2**) of the DB-44 Accessory Connector. Configure via the "External Output Control Line 2" in Radio Personality Manager's (RPM's) External I/O dialog Box.