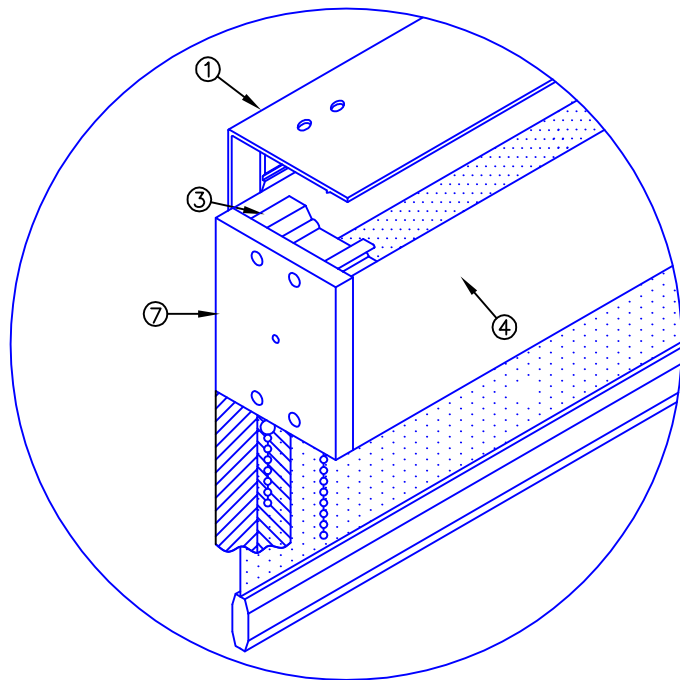
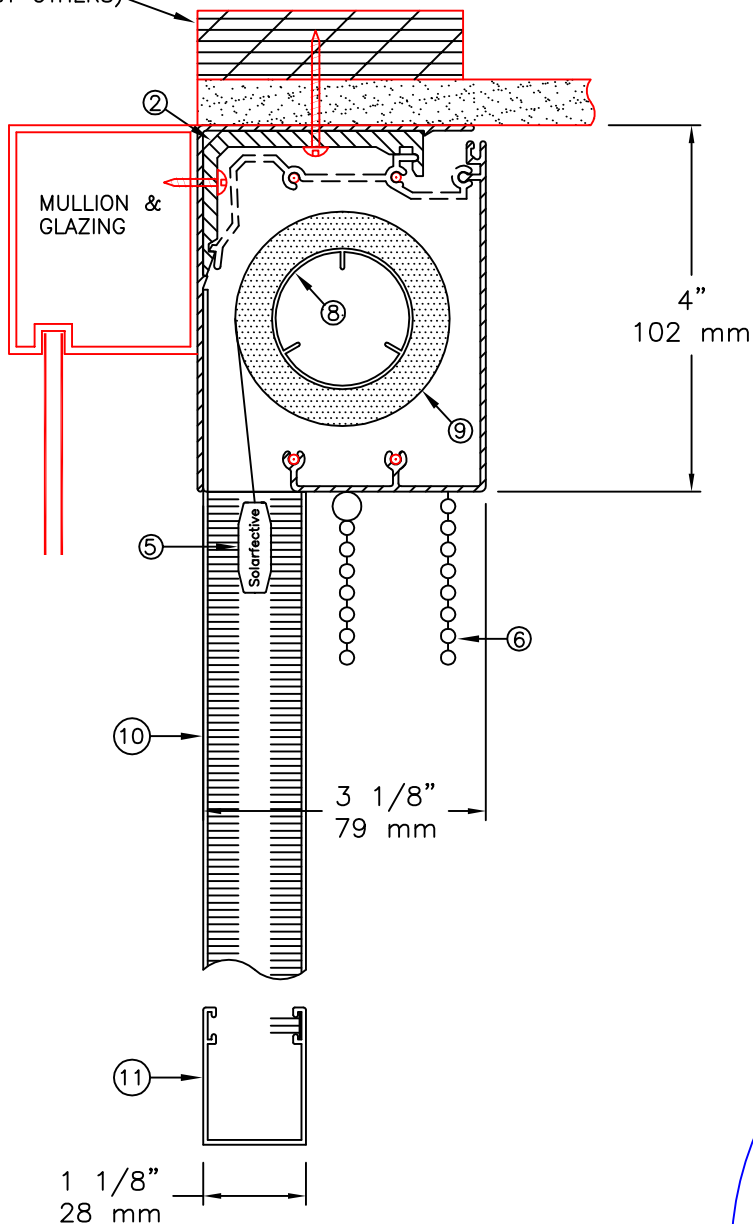


3/4" PLYWOOD  
BLOCKING  
(BY OTHERS)

THE TELESHADE CAN BE MOUNTED  
TO THE CEILING OR TO THE  
FACE OF THE MULLION



**NOTES:**

1. EXTRUDED ALUMINUM BACK FASCIA
2. MOUNTING ANGLE
3. SPRING CLIP
4. EXTRUDED ALUMINUM FASCIA
5. EXTRUDED ALUMINUM EXTERIOR HEMBAR
6. STAINLESS STEEL BALL CHAIN
7. ABS END BRACKETS
8. 1 1/2" Ø EXTRUDED ALUMINUM TUBE
9. FABRIC: 1%, 3%, 5%, 10% OPENNESS OR BLACKOUT
10. MANUAL BLACKOUT SIDE CHANNELS
11. MANUAL BLACKOUT BOTTOM CHANNELS

**Solarfective**

55 Hymus Road, Scarborough  
Ontario, Canada. M1L 2C6

Tel. (416) 421-3800  
Fax. (416) 421-8424

Web Site: [www.solarfective.com](http://www.solarfective.com)  
Email: [shades@solarfective.com](mailto:shades@solarfective.com)

TELESHADE SYSTEM WITH BACK FASCIA  
SIDE AND BOTTOM CHANNELS

PROJECT: —

DATE:  
JAN. 01, 2015

SCALE:  
N.T.S.

FILE No.  
—

DRAWN:  
ADIE

DWG. No.  
RD-2

REV  
0