



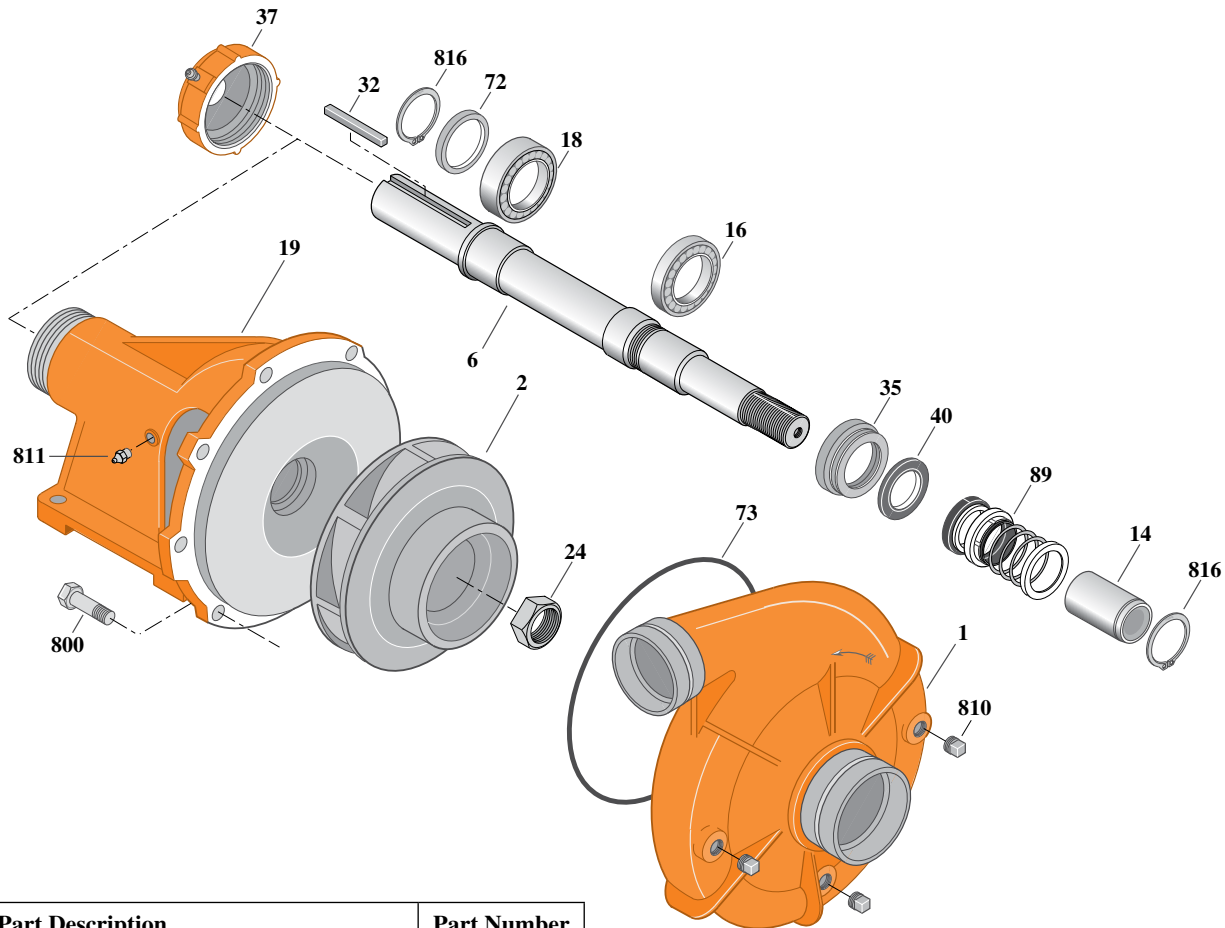
Type "B" Single Stage Centrifugal Pump Bearing Frame Mount

Section	FM
Page	130.2
Date	July 1, 2011
Supersedes 1/1/04	

CAST IRON IMPELLERB3ZRMS

Victaulic Case

Mechanical Shaft Seal Construction



Item	Part Description	Part Number
1	Case, Volute	See Table I
2	Impeller	See Table I
6	Shaft (Not sold separately)	See Note 1
14	Sleeve, Shaft	S39242L
16	Bearing, Ball	S13270
18	Bearing, Ball	S13271
19	Frame	H04007
24	Locknut, Impeller (CW)	M10220
24	Locknut, Impeller (CCW)	U36-189SS
32	Key, 1/4x2-1/8"	S24255
35	Inner Bearing Cap	S19033
37	Outer Bearing Cap Assembly*	S19914
40	Slinger, Water	S12260
72	Ring, Thrust	S29218
73	O-Ring (See Note 2)	M14943
89	Seal, Mechanical Shaft	S32690

* Includes grease fitting and set screw.

Table I

B/M No.	Rotation	Volute Case	Impeller	Impeller Diameter
B68417	CW	H04040	M02153	9.00"
B68416	CCW	H04041	M02181	9.00"

Item	Part Description	Part Number
800	Capscrew, Hex 3/8-16x7/8" (8 Req.)	S26825
810	Plug, Pipe 1/4 NPT (3 Req.)	S23715
811	Fitting, Grease	S23670
816	Ring, Retaining	S23009
816	Ring, Retaining	S23010

NOTE 1: Shaft Replacement Kit available for this model. Berkeley part number B80699 for CW, B80697 for CCW. Pump Shaft sold in shaft replacement kit only.

NOTE 2: Also accepts gasket S05126 as replacement for o-ring. See **Supplement E** located at the beginning of this section.