

TRIANGULAR



*The better solution to  
bale barrier, silt fence  
and rock check dams!*



**Triangular Silt Dike™ 10" Barrier**



*The better solution  
to wire back silt  
fence, rock bags,  
sand bags and  
straw wattles!*

**Triangular Silt Dike™ 8" Barrier**



*The better solution  
to silt fence, sand  
bags and straw  
wattles!*

**Triangular Silt Dike™ 5" Barrier**

The original 10" Triangular Silt Dike™ barrier consists of urethane foam and geotextile fabric. Designed with protective aprons on both sides of the barrier, there is only one sewn seam (on the front upstream side) which allows the barrier to be configured in several different applications. The materials and the design make this device lightweight, easy and fast to install, and more effective than other sediment products.



**Applications**

- Ditch check dams
- Diversion Dikes
- Drop Inlet Protection
- Temporary Ditch Liner
- Stream & Pond Protection

The 8" Triangular Silt Dike™ barrier is designed smaller for development areas where vehicle traffic is greater. It also has protective aprons on both sides and has the front and back apron sewn into the barrier. With both aprons sewn, it allows this product to be easily installed on concrete and asphalt.



**Applications**

- Curb Protection
- Continuous Barrier
- Diversion Dikes
- Drop Inlet Protection
- Stream & Pond Protection
- Installations on Concrete and Asphalt

The 5" Triangular Silt Dike™ barrier was designed for smaller flatter runoff areas. It has a protective apron on the front or upstream side of the barrier. With no protective apron on the backside or downstream side, this should be installed along curbs or on hard surfaces where overtopping the barrier will not cause erosion on the backside.



**Applications**

- Along Curbs in Developments
- Diversion Dikes
- Inlet Protection
- Continuous Barrier
- Small Surface Drainage Areas
- Roadway Shoulder Protection
- Installations on Concrete and Asphalt

# Triangular Silt Dike™ Barrier Installation

Made with lightweight and durable materials, Triangular Silt Dike™ barrier comes in seven foot section and installs in minutes with U-shaped wire staples.

The flexibility of the barrier allows it to be installed on rough and rocky terrain while the protective aprons on both sides of the barrier helps prevent erosion and failure of the structure.

### Advantages

- Effective
- Fast & Easy Installation
- Conforms to Curves and Rough Terrain
- Light Weight & Durable
- Re-usable
- Easy to Install on Concrete or Asphalt



**Sediment Control Device**  
for All Construction Sites  
**Effective • Safe • Durable**

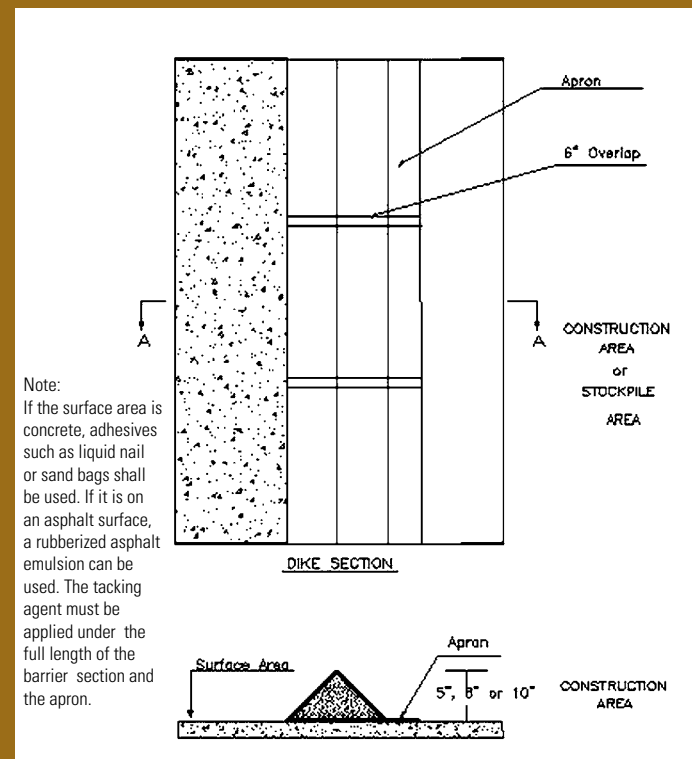
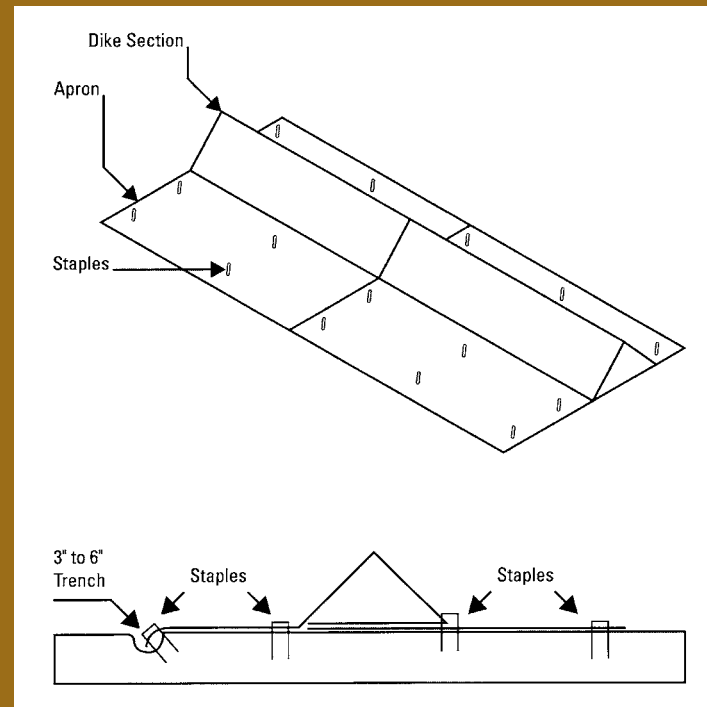


**Triangular Silt Dike™**  
**10" Barrier**



## Triangular Silt Dike™ Installation on Soil

## Triangular Silt Dike™ Installation on Concrete or Asphalt



1-800-290-8473

[www.tri-siltdike.com](http://www.tri-siltdike.com)

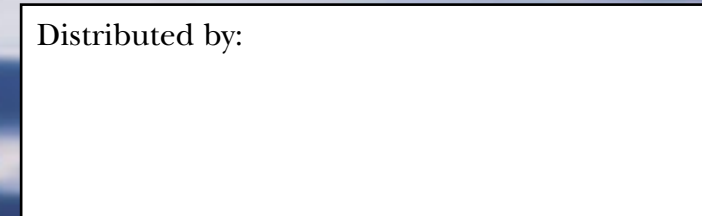
Manufactured by:

**TRIANGULAR**



US Patent No. 5,605,416  
Triangular Silt Dike and the logo are trademarks of the Triangular Silt Dike Co., Inc.

Distributed by:



**Triangular Silt Dike™**  
**5" Barrier**



**Triangular Silt Dike™**  
**8" Barrier**

