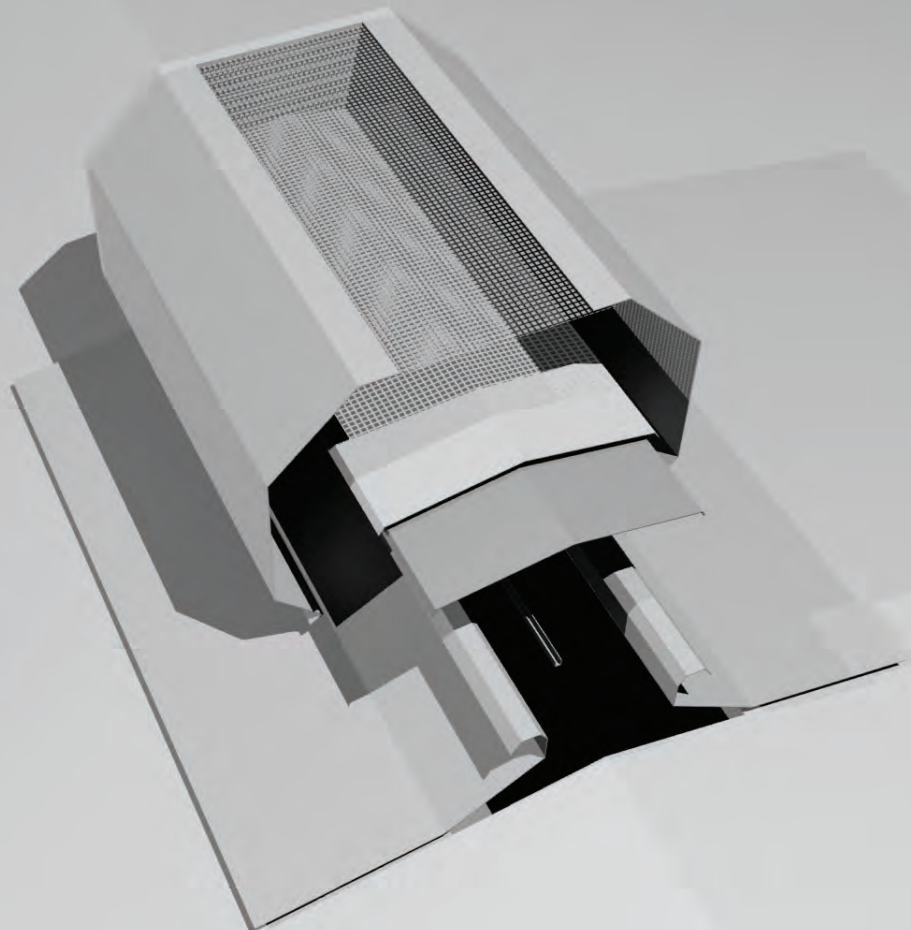


GRAVITY RIDGE VENTILATORS



SPECIFICATIONS

- **CONSTRUCTION:**

Constructed of 26 Ga. Steel exterior shell combined with internal components of 24, 20 and 18 gauge die formed sheet metal and machined parts.

- **DESIGN:**

- Aerodynamically proportioned to exclude weather protects air passages and full outlet area.
- Continuous slot on bottom of both sides of windbands allows for drainage.
- Can accommodate up to 6:12 roof pitch.
- Fully protected by a 4x4 mesh Galvanized hardware cloth bird screen.
- Operable damper opens to any degree from full open to fully closed with pull chain operator.

- **FINISH:**

Mill Finish Galvalume™, Pre-Coated or Baked Enamel Finish applied to match most metal building colors.

- **STANDARD SIZES:**

9" throat and 12" throat shipped in 10' long sections which can be installed as individual units or in continuous runs.

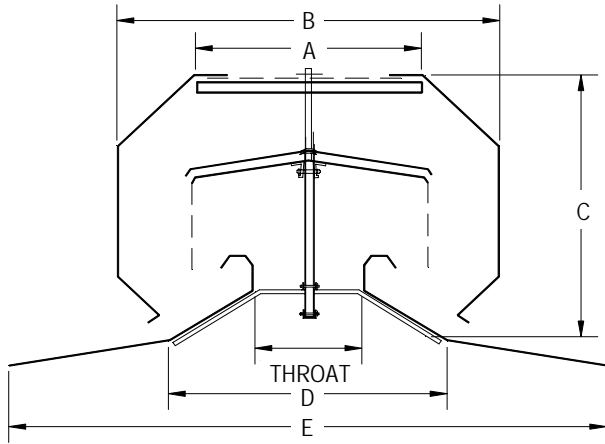
- **OPTIONS:**

- Vents may be furnished with or without dampers.
- Cable, pulleys and boat winch operator provides manual operation of continuous runs up to 5 units.
- Electric or Pneumatic operator can provide automatic operation for continuous runs up to 5 units .
- Die-Formed Skirt available for standard "R" panel.

SPECIAL SIZES, MATERIAL & FINISHES AVAILABLE



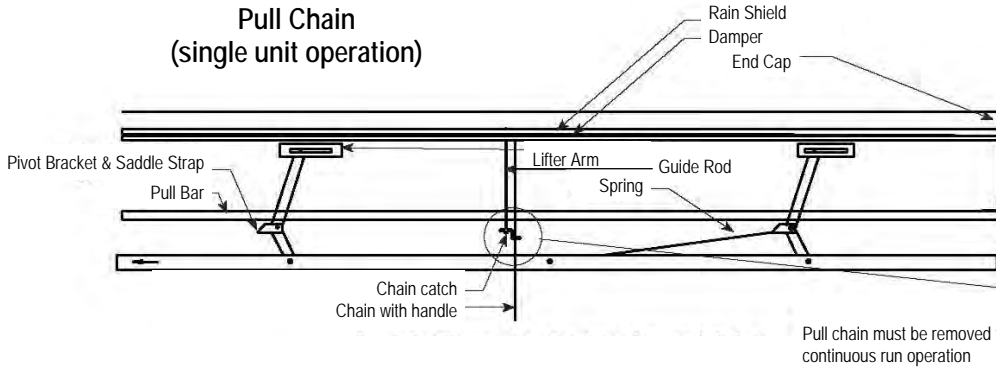
RIDGE VENTILATOR DETAILS



RIDGE VENT DIMENSIONS (IN INCHES)					
THROAT	A	B	C	D	E
4	6-1/4	12-1/2	9	10	18
9	13	21-1/4	14-1/2	18	28-1/4
12	17	28-1/2	18	22	33
18	26-3/4	45-5/8	30-5/8	30	49
24	33-1/2	57	38-3/8	36-1/8	58-1/8
36	47-1/2	81-1/4	53-5/8	55	83-1/2

RIDGE VENT OPERATION

Pull Chain (single unit operation)

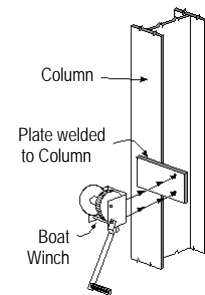
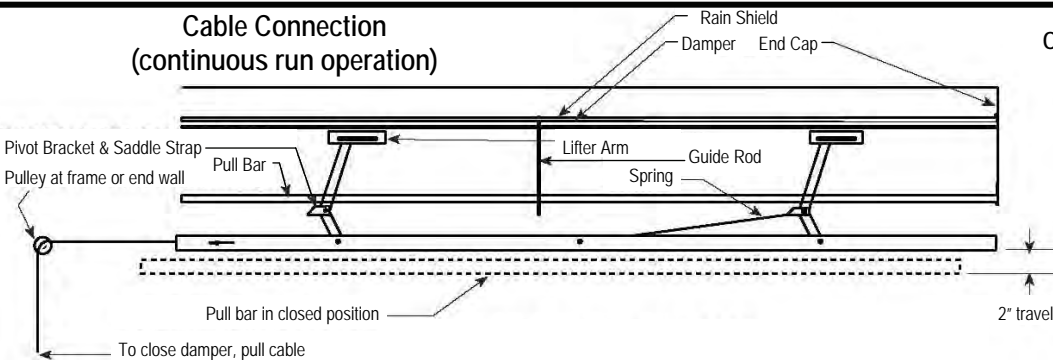


Chain-operated damper utilizes a rugged sash chain through chain locking device. Damper is spring-loaded to open and can be adjusted from fully open to fully closed.

Pull chain must be removed for continuous run operation

Optional Boat Winch Operator

Cable Connection (continuous run operation)



PERFORMANCE DATA

THROAT SIZE	VENT HEIGHT	CFM
9"	10'	1572
	20'	2085
	30'	2775
	40'	3248
12"	10'	2810
	20'	3240
	30'	3590
	40'	3860

Assumes 10° Temperature differential and 5 mph wind speed

