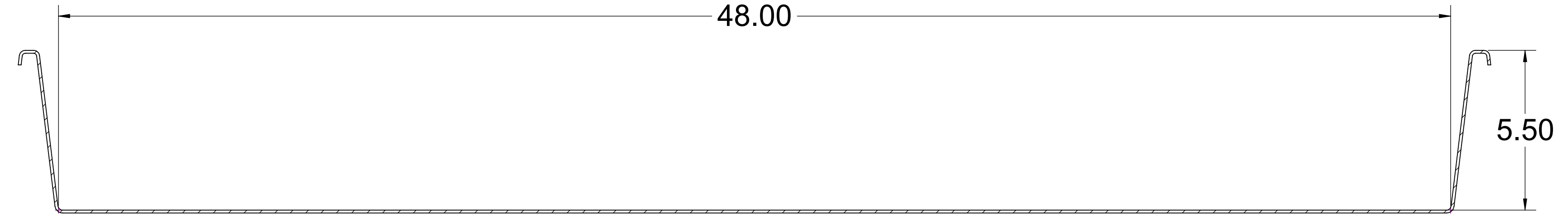
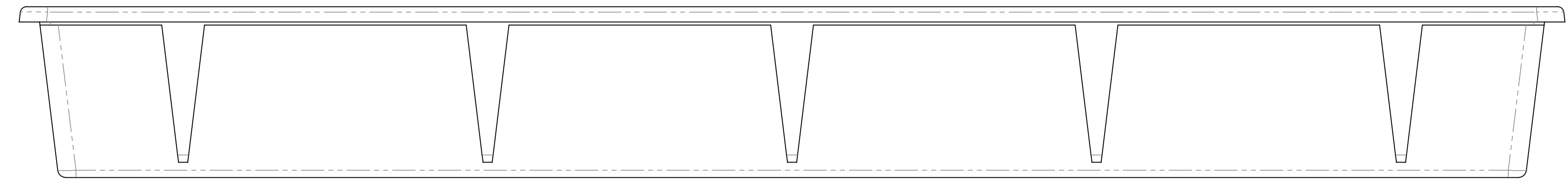
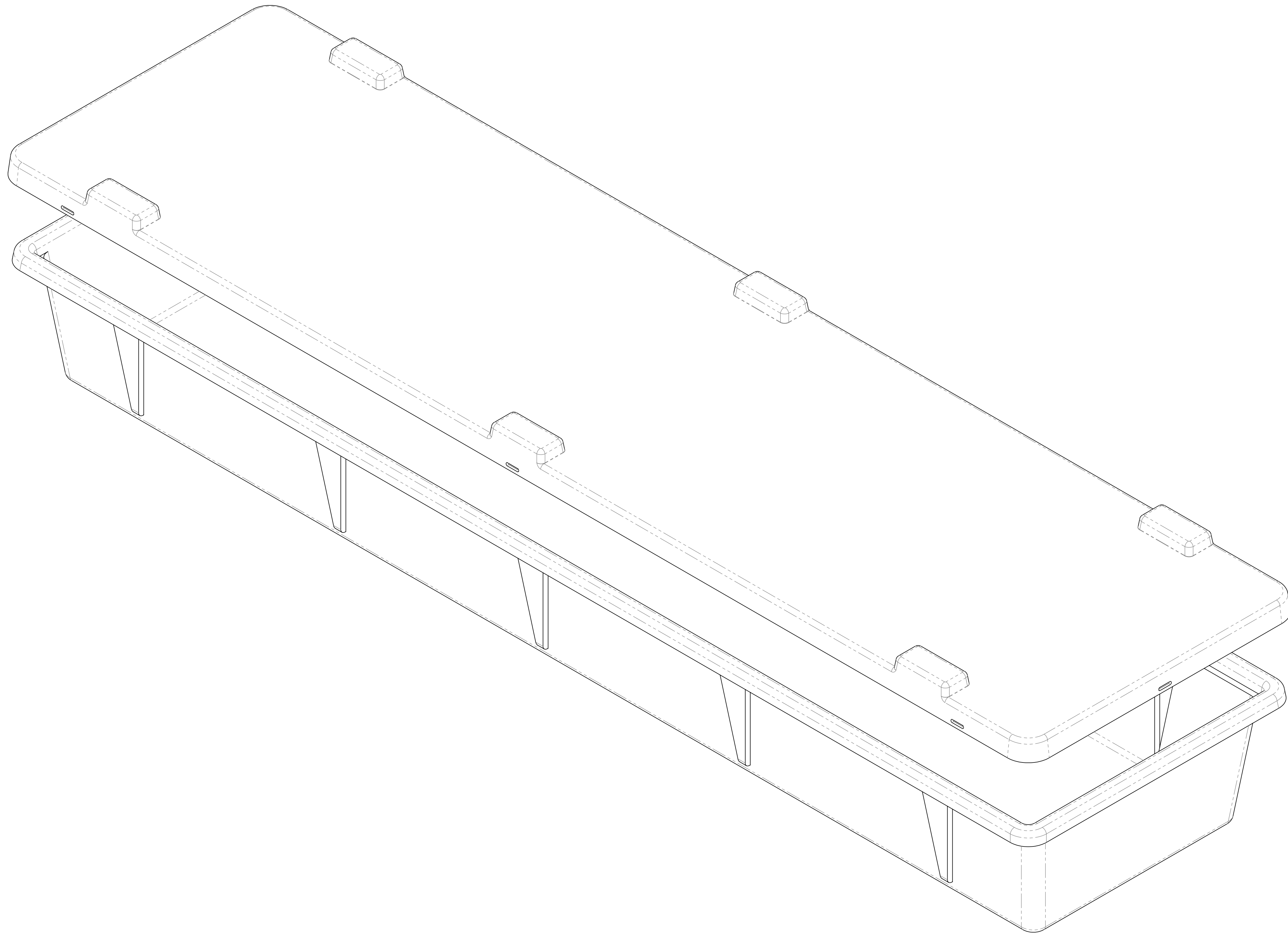


SECTION B-B  
SCALE 1 : 3



SECTION A-A  
SCALE 1 : 3

<b>Hoosier Plastics, Inc.</b> <small>Thermoformed Plastic Products</small>			
<small>2011 South Third St. Terre Haute, IN • Phone: (812) 232-5027 •</small>			
PART NUMBER: <b>3396</b>	REV <b>A</b>	UNLESS OTHERWISE SPECIFIED	DRAWN BY: MJM
DESCRIPTION: TUBE TRAY		DIMENSIONS ARE IN INCHES DRAFT IS 3°	DATE: 06/15/2007
CUSTOMER: ---		DIMENSIONS TO CAVITY SIDE	MATERIAL: DOW 555 ABS
CUSTOMER PART NUMBER: ---		TOLERANCES: ANGULAR: 1° DECIMAL: .020	STOCK SIZE: 5.5" x 10.0" x 48.0"
		THIS DESIGN IS THE SOLE PROPERTY OF HOOSIER PLASTICS, INC. UNTIL PURCHASED BY CUSTOMER	SHEET 1 OF 2
		SCALE: 1:3	



<b>Hoosier Plastics, Inc.</b>			
Thermoformed Plastic Products			
<small>2011 South Third St. Terre Haute, IN • Phone: (812) 232-5027 •</small>			
PART NUMBER:	3396	REV A	DRAWN BY: MJM
DESCRIPTION:	TUBE TRAY	UNLESS OTHERWISE SPECIFIED DIMENSIONS ARE IN INCHES DRAFT IS 3° DIMENSIONS TO CAVITY SIDE TOLERANCES: ANGULAR: ± DECIMAL: .020	DATE: 06/15/2007
CUSTOMER:	---	THIS DESIGN IS THE SOLE PROPERTY OF HOOSIER PLASTICS, INC UNTIL PURCHASED BY CUSTOMER	MATERIAL: DOW 555 ABS
CUSTOMER PART NUMBER:	---	SCALE: 1:2	STOCK SIZE: 5.5" x 10.0" x 48.0" SHEET 2 OF 2