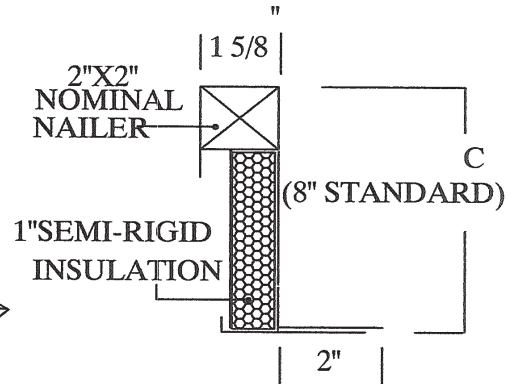
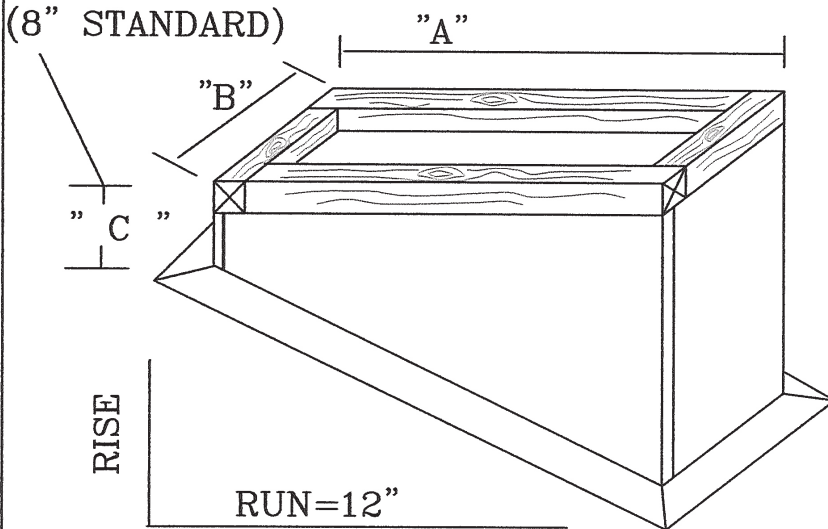


PITCHED CURB

STANDARD CONSTRUCTION
 FABRICATED OF 16 GAGE GALVANIZED STEEL
 4" FLASHING FLANGE
 MILL FINISH
 DAMPER TRAY OPTIONAL

LS-SFP
 STEEL SELF FLASHING
 PITCHED



TO ORDER PITCHED CURBS
 INCLUDE ROOF RISE AND RUN
 THIS WILL BE REPRESENTED AS
 A RATIO (RISE RUN)WITH RUN
 ALWAYS EXPRESSED AS 12 UNITS

Example: A Roof with a Rise of 3"and a Run of 12"= 3:12 Pitch

MINIMUM SIZE	MAXIMUM SIZE
"A" DIMENSION 6"	"A" DIMENSION 72"
"B" DIMENSION 6"	"B" DIMENSION 72"
"C" DIMENSION 6"	"C" DIMENSION OVER 24"
	CONTACT FACTORY

JOB NAME: _____

LOCATION: _____

ARCHITECT: _____

ENGINEER: _____

CONTRACTOR: _____

10332-REV-B



LLOYD INDUSTRIES INC.

231 Commerce Drive
 Montgomeryville, PA 18936
 215-412-4445 • Fax: 215-412-4409
 Email: lloydind@firedamper.com

138 Industrial Loop West
 Orange Park, FL 32073
 904-541-1655 • Fax: 904-541-1657
 Email: lloydind1@bellsouth.net

website: www.firedamper.com

Lloyd Asia
 B1, 4/F., Luen Ming Hing Factory Building
 36 Mok Cheong St.

To Kwa Wan, Kowloon, H.K.
 852-2760 4188 • Fax: 852-2760 4177
 tatanlexyim@lloydasia.com

