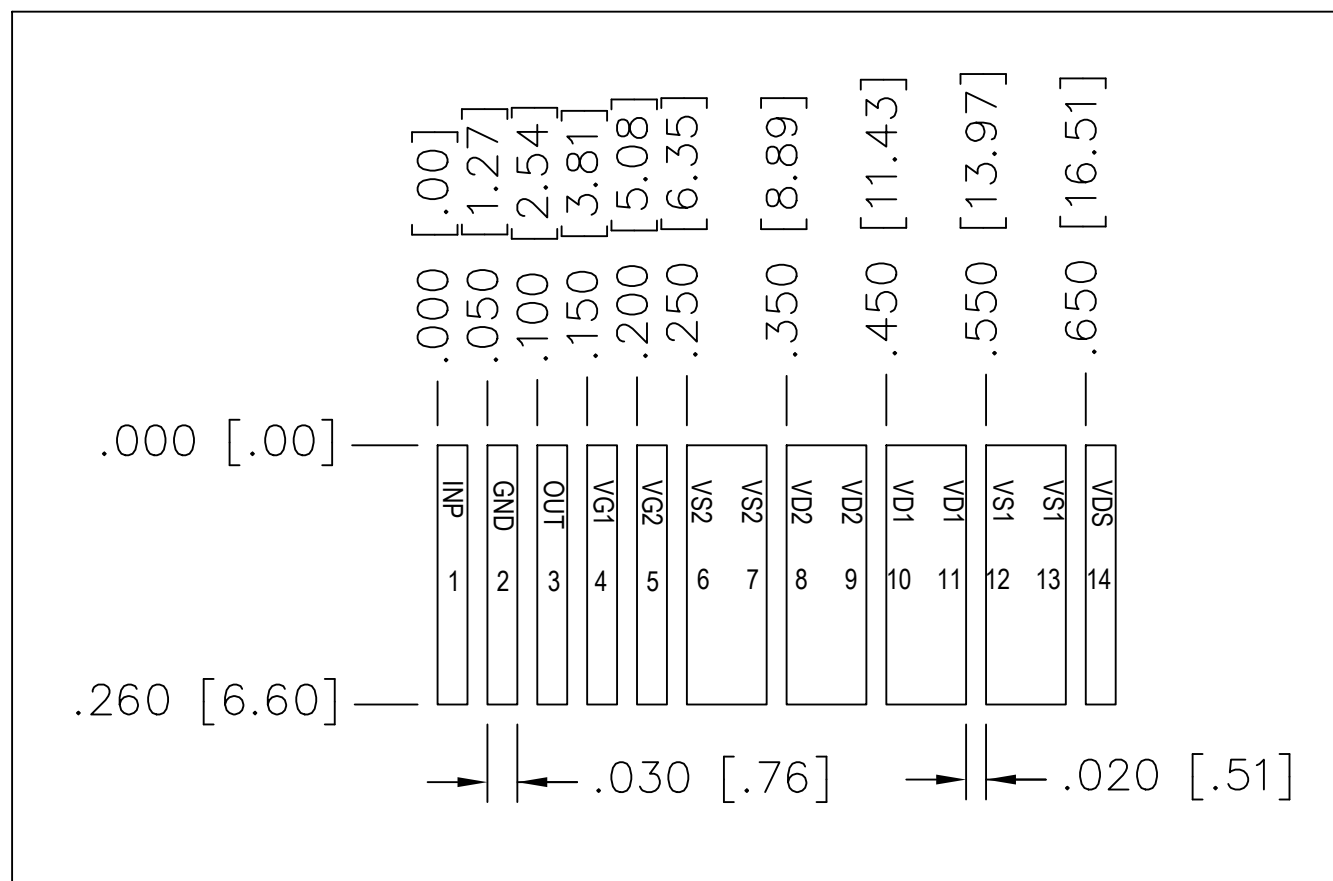
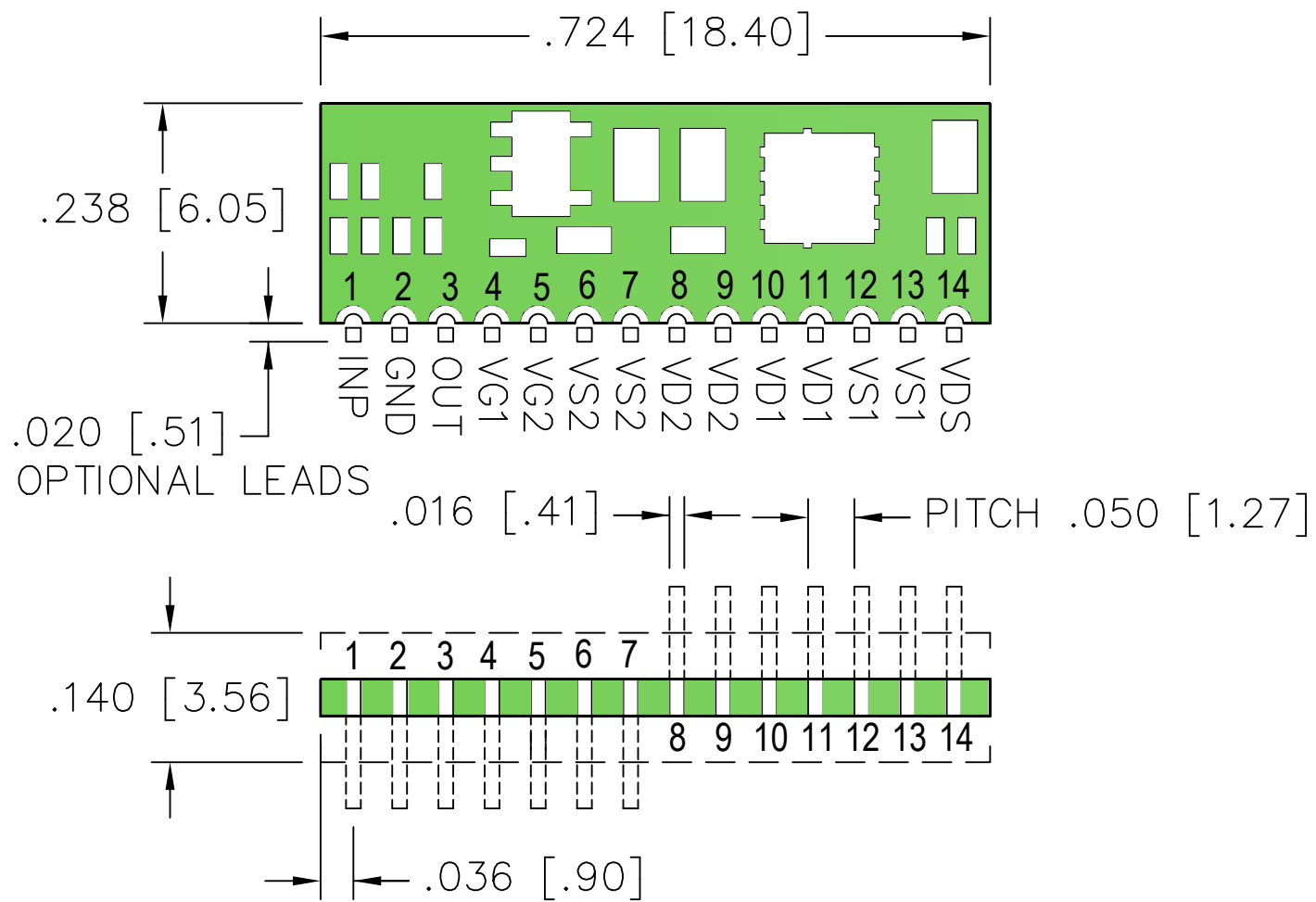


# OUTLINE & LAND PATTERN 400X, 400T



TOLERANCE IS +/- .005" [.13mm]  
UNLESS OTHERWISE SPECIFIED



REF: E420013