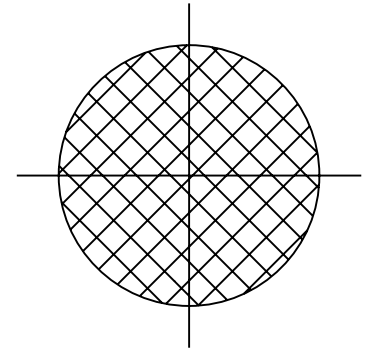
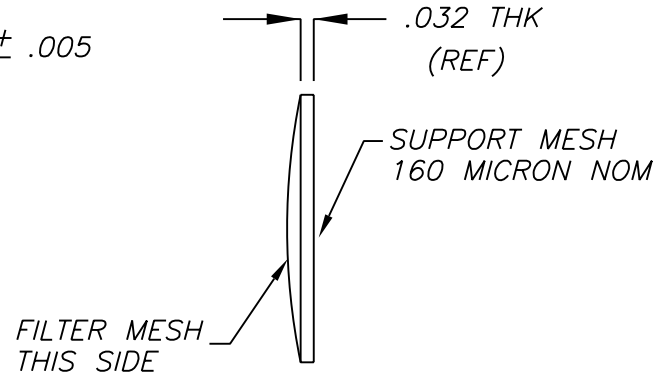
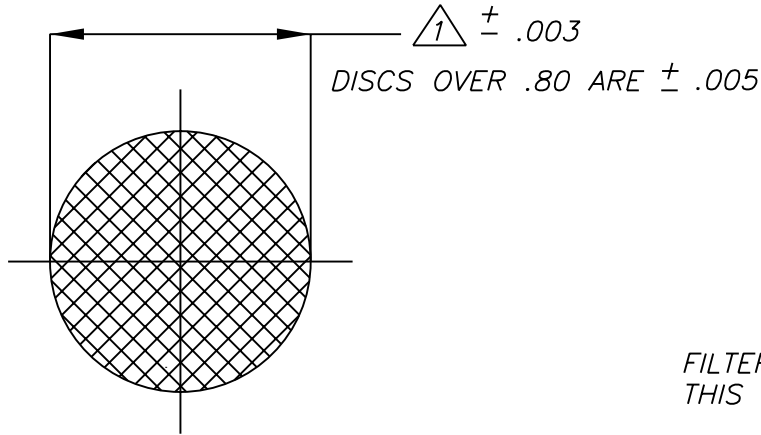


THIS DOCUMENT CONTAINS INFORMATION PROPRIETARY TO GENESIS FILTRATION CORPORATION. ANY REPRODUCTION, DISCLOSURE, OR USE OF THIS DOCUMENT IN WHOLE OR IN PART IS EXPRESSLY PROHIBITED EXCEPT AS GENESIS FILTRATION CORPORATION MAY OTHERWISE AGREE TO IN WRITING.

REVISIONS			
LTR	DESCRIPTION	DATE	APPROVED



EXAMPLE PART NUMBER:
13500-500-10

NOMINAL MICRON RATING

DISC DIAMETER

△ CODE	NOMINAL MICRON RATING	ABSOLUTE MICRON RATING
2	2	10
5	5	20
10	10	25
20	20	40
40	40	75
70	70	105
105	105	150

ADDITIONAL OPTIONS AVAILABLE

1. FIRST DASH NUMBER SPECIFIES DISC DIAMETER.
2. SECOND DASH NUMBER SPECIFIES NOMINAL MICRON RATING
3. FILTER MESH: STAINLESS STEEL WOVEN WIRE MESH.

UNLESS OTHERWISE SPECIFIED		DO NOT SCALE THIS DWG. INTERPRET DWG PER IAW DOD-STD-1000 DIMS & TOLS. PER ANSI Y14.5		DFT BY:	Genesis Filtration Inc. 9757 7th STREET, UNIT 804 Rancho Cucamonga, CA 91730			
DIMENSIONS IN INCHES REMOVE ALL BURRS		SURFACE ROUGHNESS PER ANSI B46.1		DESIGN BY:				
MACHINE RADII .005/.015 R.		MATERIAL 300 SER CRES		APPVD BY:	TITLE FILTER DISC- REINFORCED			
BREAK ALL SHARP EDGES .002/.010 R.				CUSTOMER NAME				
DECIMALS .XX .XXX	FRAC	ANGLES	CUSTOMER P/N	SIZE A	FSCM NO. 04AX3	DWG NO. 13500-△1-△2	REV	
±.01	±.005	±1/64		FINISH	SCALE	GFORME05 12/24/98	WEIGHT	SHEET OF