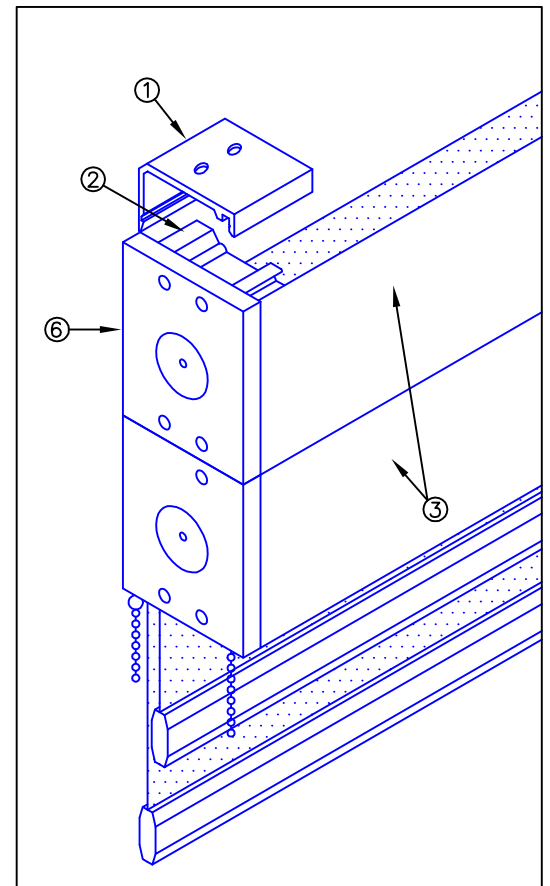
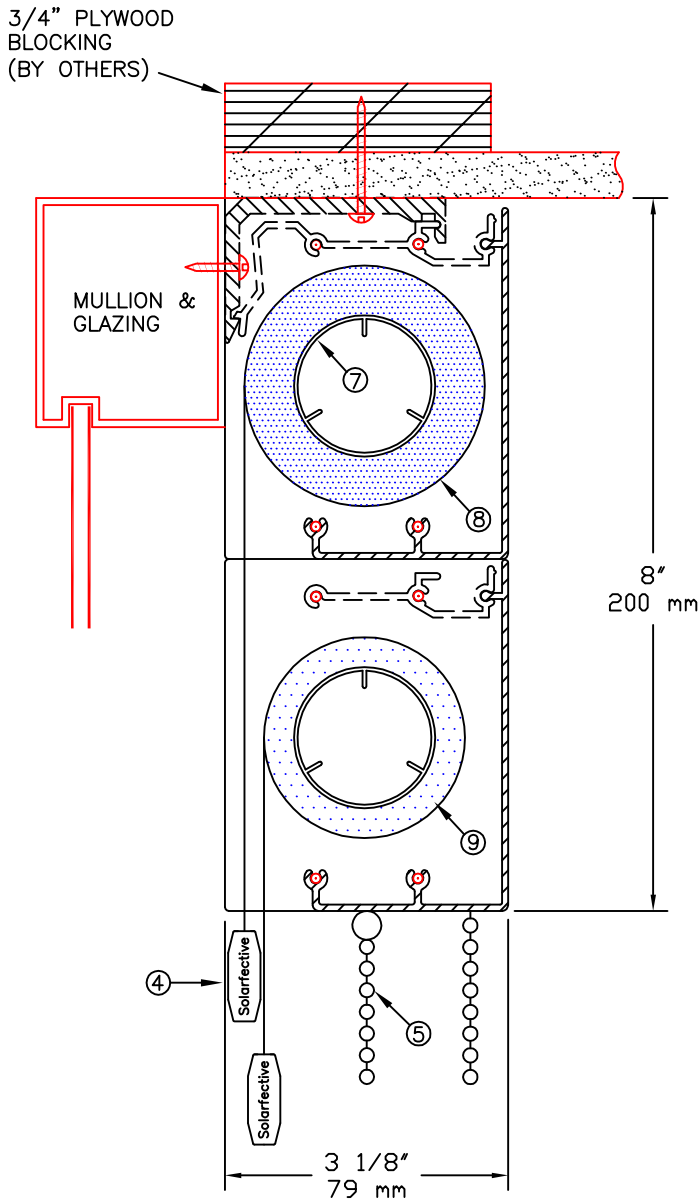


FOR INSTALLATION INSTRUCTIONS  
SEE DRAWING: INST-1

THE TELESHADE CAN BE MOUNTED  
TO THE CEILING OR TO THE  
FACE OF THE MULLION



**NOTES:**

1. MOUNTING ANGLE
2. SPRING CLIP
3. EXTRUDED ALUMINUM FASCIA
4. EXTRUDED ALUMINUM EXTERIOR HEMBAR
5. STAINLESS STEEL BALL CHAIN -- UPPER SHADE RIGHT CHAIN, LOWER SHADE LEFT CHAIN
6. ABS END BRACKETS
7. 1 1/2"  $\phi$  EXTRUDED ALUMINUM TUBE
8. FABRIC: 1%, 3%, 5%, 10% OPENNESS -- STANDARD DEFAULT UPPER
9. FABRIC: BLACKOUT (CHANNELS NOT OPTIONAL) -- STANDARD DEFAULT LOWER

**Solarfective**

55 Hymus Road, Scarborough  
Ontario, Canada. M1L 2C6

Tel. (416) 421-3800  
Fax. (416) 421-8424

Web Site: [www.solarfective.com](http://www.solarfective.com)  
Email: [shades@solarfective.com](mailto:shades@solarfective.com)

VERTICAL MOUNT DOUBLE TELESHADE SYSTEM  
SNAP-IN MOUNTING DETAIL

PROJECT: -

DATE:  
JAN. 01, 2015

SCALE:  
N.T.S.

FILE No.  
-

DRAWN:  
ADIE

DWG. No.  
T-13

REV  
0