

YM-24 Datasheet

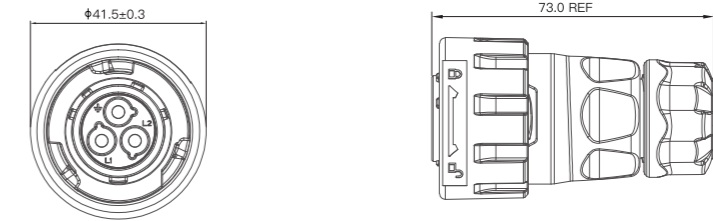
# YM-24

YM24 Power/Signal	Product Series		YM-24								YM-24										
	Pin Number		2PIN		3PIN		3PIN		4PIN		10PIN		12PIN		19PIN		24PIN		RJ45		
	Contact Layout																				
	Current Rating(A)		25	35	25	35	45	25	10	10	5	5	1.5								
	Voltage Rating(V)		500	300	500	300	230	500	500	500	250	250	125								
	Cable O.D(mm)		φ5.0~φ7.0	φ7.0~φ10.5	φ10.5~φ14.0		φ5.0~φ7.0		φ7.0~φ10.5	φ10.5~φ14.0											
	Wire Gauge		2.5-4.0mm <sup>2</sup> /14-12AWG	6.0-8.0mm <sup>2</sup> /10-8AWG	2.5-4.0mm <sup>2</sup> /14-12AWG	6.0-8.0mm <sup>2</sup> /10-8AWG	8(power cord)-10(single cord) mm <sup>2</sup> 8-6AWG	2.5-4.0mm <sup>2</sup> /14-12AWG	1.0-1.5mm <sup>2</sup> / 18-16AWG	1.0-1.5mm <sup>2</sup> / 18-16AWG	0.34-0.5mm <sup>2</sup> / 22-20AWG	0.34-0.5mm <sup>2</sup> / 22-20AWG	—								
	Protection Level		Connection Status IP68								Connection Status IP68										
	Terminal Type		Soldering/Screwing	Soldering	Soldering/Screwing	Soldering	Soldering	Soldering	Soldering	Soldering	Soldering	Soldering	Soldering	Soldering	Soldering	Soldering	Soldering	Soldering	CAT.3~CAT.6		
Illustration	Material	Part No										Part No									
	Plastic	Male	YM-24-C02PE-02-001	YM-24-C02PE-02-035	YM-24-C03PE-02-001	YM-24-C03PE-02-035	YM-24-C03PE-02-050	YM-24-C04PE-02-001	YM-24-C10PE-02-001A	YM-24-C12PE-02-001A	YM-24-C19PE-02-001A	YM-24-C03PE-02-050	YM-24-C/RJ45/015/PE-42-001								
		Female	YM-24-J02PE-02-001	YM-24-J02PE-02-035	YM-24-J03PE-02-001	YM-24-J03PE-02-035	YM-24-J03PE-02-050	YM-24-J04PE-02-001	YM-24-J10PE-02-001A	YM-24-J12PE-02-001A	YM-24-J19PE-02-001A	YM-24-J03PE-02-050	—								
	Plastic	Male	YM-24-C02PP-02-001	YM-24-C02PP-02-035	YM-24-C03PP-02-001	YM-24-C03PP-02-035	YM-24-C03PP-02-050	YM-24-C04PP-02-001	YM-24-C10PP-02-001A	YM-24-C12PP-02-001A	YM-24-C19PP-02-001A	YM-24-C03PP-02-050	—								
		Female	YM-24-J02PP-02-001	YM-24-J02PP-02-035	YM-24-J03PP-02-001	YM-24-J03PP-02-035	YM-24-J03PP-02-050	YM-24-J04PP-02-001	YM-24-J10PP-02-001A	YM-24-J12PP-02-001A	YM-24-J19PP-02-001A	YM-24-J03PP-02-050	—								
	Plastic	Male	YM-24-C02SX-02-101	YM-24-C02SX-02-135	YM-24-C03SX-02-101	YM-24-C03SX-02-135	YM-24-C03SX-02-150	YM-24-C04SX-02-101	YM-24-C10SX-02-101A	YM-24-C12SX-02-101A	YM-24-C19SX-02-101A	YM-24-C03SX-02-150	—								
		Female	YM-24-J02SX-02-101	YM-24-J02SX-02-135	YM-24-J03SX-02-101	YM-24-J03SX-02-135	YM-24-J03SX-02-150	YM-24-J04SX-02-101	YM-24-J10SX-02-101A	YM-24-J12SX-02-101A	YM-24-J19SX-02-101A	YM-24-J03SX-02-150	YM-24-J/RJ45/213/SX-42-102								
	Plastic	Male	YM-24-C02SX-02-401	YM-24-C02SX-02-435	YM-24-C03SX-02-401	YM-24-C03SX-02-435	YM-24-C03SX-02-450	YM-24-C04SX-02-401	YM-24-C10SX-02-401A	YM-24-C12SX-02-401A	YM-24-C19SX-02-401A	YM-24-C03SX-02-450	—								
		Female	YM-24-J02SX-02-401	YM-24-J02SX-02-435	YM-24-J03SX-02-401	YM-24-J03SX-02-435	YM-24-J03SX-02-450	YM-24-J04SX-02-401	YM-24-J10SX-02-401A	YM-24-J12SX-02-401A	YM-24-J19SX-02-401A	YM-24-J03SX-02-450	YM-24-J/RJ45/213/SX-42-402								

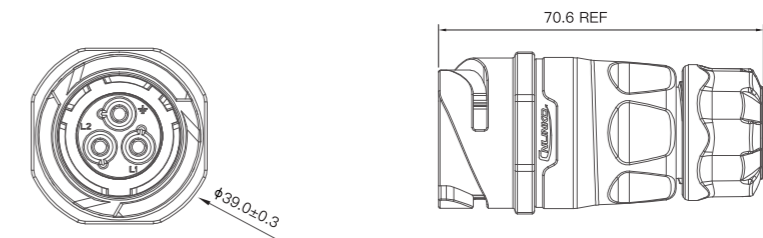
## YM-24 Dimension Drawing (unit: mm)

YM24 Power/Signal	Product Series		YM-24				
	Pin Number		USB2.0	USB3.0	HDMI2.0	HDMI2.1	Optical fiber
	Contact Layout						
	Current Rating(A)		1.5	1.8	0.5	0.5	—
	Voltage Rating(V)		5	5	5	5	—
	Cable O.D(mm)		φ5.0~φ7.0		φ7.0~φ10.5	φ10.5~φ14.0	
	Wire Gauge		—	—	—	—	—
	Protection Level		Connection Status IP68				
	Terminal Type		480 Mbps	5.0 Gbps	18 Gbps	48 Gbps	plug-in loss≤0.35dB return loss≥50dB
Illustration	Material	Part No					
	Plastic	Male	YM-24-USB2-MP- MP-1M-001	YM24-USB3-MP- MP-1M-001	YM24-HDMI-MP- MP-1M-001	YM24-HDMI-MP- MP-1M-003	YM-24-C/LC/016 /PE-42-002 YM-24-C/LC/016 /PE-42-001
		Female	—	—	—	—	—
		Male	—	—	—	—	—
		Female	—	—	—	—	—
		Male	—	—	—	—	—
		Female	YM-24-J/USB2/ 213/SX-42-101A	YM-24-J/USB3/ 213/SX-42-101A	YM-24-J/HDMI2/ 213/SX-42-101	YM-24-J/HDMI21/ 213/SX-42-101	YM-24-J/LC/213 /SX-42-102 YM-24-J/LC/213 /SX-42-101
		Male	—	—	—	—	—
		Female	YM-24-J/USB2/ 213/SX-42-401A	YM-24-J/USB3/ 213/SX-42-401A	YM-24-J/HDMI2/ 213/SX-42-401	YM-24-J/HDMI21/ 213/SX-42-401	YM-24-J/LC/213 /SX-42-402 YM-24-J/LC/213 /SX-42-401

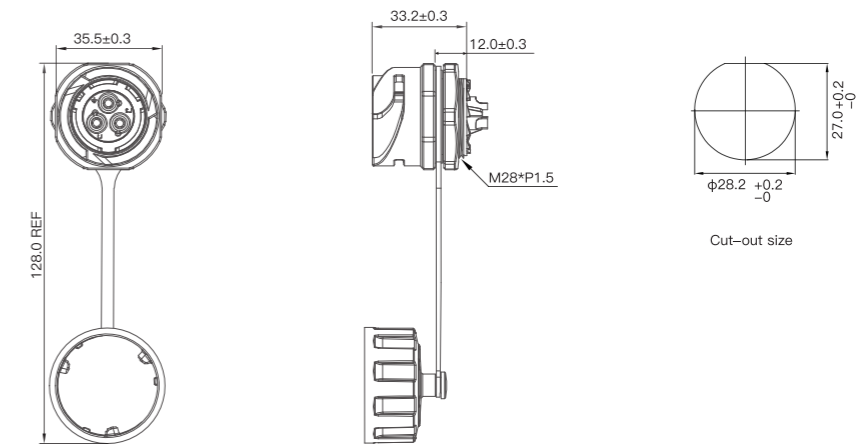
### Plug



### In-line receptacle



### Single hole straight receptacle



### Four-hole flange receptacle

