

AIR FORCE SEATING



GREAT JOURNEY WEST, LLC
DECEMBER 2024

 **Nightingale**

CONTACT US

Joseph McDonnell
joe@greatjourneywest.com
(314) 478-5792
www.greatjourneywest.com

Great Journey West is an authorized distributor/reseller of Nightingale products.

All products are backed by Nightingale's Lifetime Limited Warranty.

Freight charges apply to orders of 1-5 cartons. Orders of 6 or more cartons, dock to dock shipping is included.

Great Journey West, LLC | TAX ID 45-5582972 | SAM UEI VAGGAYYC5D94 | Cage Code 5VL86



YOUR CHAIR SHIPS 95% ASSEMBLED



How to assemble your Nightingale chair. No tools required.

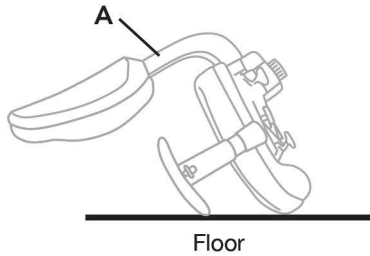
Your carton will contain:



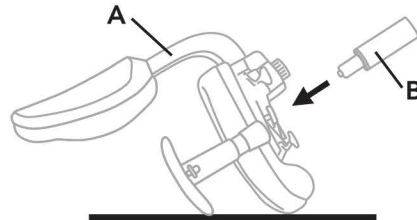
Optional Drafting Stool Kit



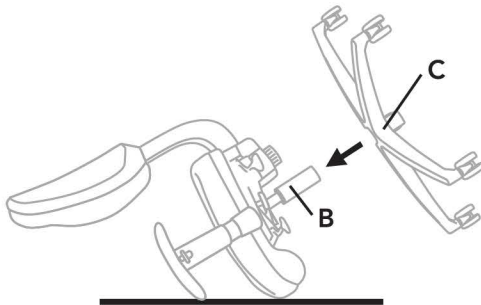
- 1 Unpack your chair. Remove components. Remove all wrapping. Carefully place the chair assembly (A) in an upside down position on the floor.



- 2 Attach gaslift. Place the small diameter of the gaslift cylinder (B) into the hole in the center of the mechanism located on the bottom of the chair assembly (A).

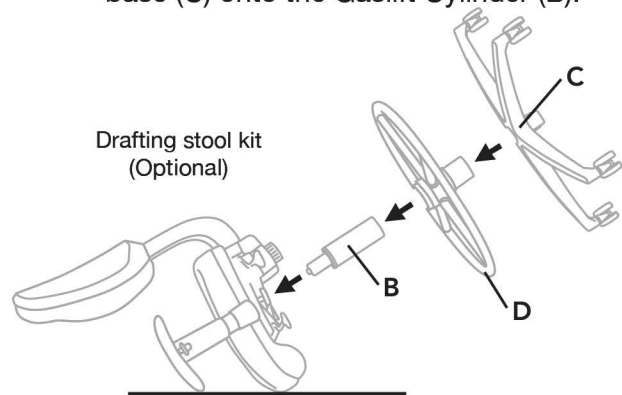


- 3 Attach five prong base. Place the five prong base (C) onto gaslift cylinder (B).

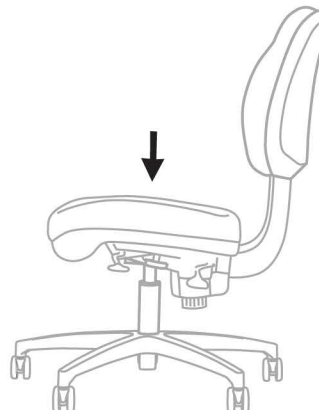


Optional Drafting stool kit

If a drafting stool kit is ordered, the footring (D) is applied prior to placing the five prong base (C) onto the Gaslift Cylinder (B).



- 4 Sit in your chair. Carefully return your chair to an upright position. Sit firmly in your chair several times to fully engage the chair assembly to the gas lift cylinder and five prong base.



3400D KHROMA - V001

An affordable, premium executive chair, the Khroma combines ergonomic support with exceptional styling. Its high-powered finish and comfortable seat lend a presidential feel to your office space.



**Custom embroidery available upon request.
Minimum order of 8 pieces. Leather fabric required.*

FEATURES

A. LUMBAR SUPPORT

Static lumbar support located at 5.5" to 14" above compressed seat height. Built in thoracic support located at 18" to 27" above compressed seat height.

B. MECHANISM

Swivel knee-tilt mechanism, complete with intuitive tension control, single position tilt lock, height adjustment pneumatic lift.

C. BACK AND SEAT

Fully upholstered Enersorb™ Memory Foam seat and back.

D. ARMS

Fully upholstered padded arm pads for enhanced comfort and executive feel. Sloped fixed arm provides multiple resting surfaces while relaxing or working.

E. BASE AND CASTERS

Polished aluminum base with carpet casters.

235D EC2 - V001

Sleek and executive, the EC2 is designed for comfort and support so that you can focus on the tasks at hand.



FEATURES

A. INTERGRATED HEADREST

Built-in headrest provides support with a slim profile.

B. POLISHED ALUMINUM (FIXED) ARMS

Curved, polished aluminum arms are capped with polyurethane padding for comfort.

C. ENERSORB™

Enhanced with Enersorb™ memory foam seat and molded foam back for comfort and durability.

D. MECHANISM

Knee-tilt mechanism with pneumatic height adjustment, swivel, multi-position tilt lock with slow-release and side tension control.

E. BASE AND CASTERS

Polished aluminum base and 2" mag wheeled carpet casters standard.

F. LUMBAR SUPPORT

Contoured molded back foam provides static built-in lumbar support from 5.5" to 22".

335D EC3 - V001 - 176

The EC3 evokes a clean aesthetic and polished feel. With it's full-back and spring support system built into the molded foam, the EC3 combines ergonomic support with modern style.



OPTIONAL MODELS



335
Mid Back
Executive



335-A
Mid Back
3D Adjustable Arms



335D-A
High Back
3D Adjustable Arms



FEATURES

A. INTERGRATED HEADREST

Extra support for your neck and back to ease bodily fatigue. (Model 335D)

B. LUMBAR SUPPORT

Full back spring system built into the molded foam for dynamic support. Lumbar support from 5.5" to 19" range (Model 335 and 335D) provides upper thoracic (23"-30").

C. POLISHED ALUMINUM ARMS

Sleek, contoured arms with polyurethane or optional leather/vinyl arm pads provide user comfort and support.

D. BASE AND CASTERS

5-prong, polished aluminum base with 3" dual-wheel carpet casters.

E. MECHANISM

Our sleek, synchro-tilt swivel mechanism features multi-position tilt lock with slow release, pneumatic height adjustment, and side tension control.

7700D - V001 - 176 President

The President's smooth upholstery and thick-backed design provide an authoritative finish to office, conference, and meeting spaces. With its top-notch ergonomic support, the President is an outstanding chair with an affordable price tag.



OPTIONAL MODELS



7700A
Mid Back
Executive
3D Adjusted Arms



7700D-CH
High Back Executive
Chrome Base
3D Adjustable Arms



7700-CH
Mid Back Executive
3D Adjustable Arms

FEATURES

A. 3D ARMS

Arms feature pivoting arm pads with a 30° range of motion inward and outward, height (4.5") and depth adjustment (4").

B. LUMBAR SUPPORT

Located at 5.5" to 14" above compressed seat height for both models. Model 7700D-A has built in thoracic support located at 23" to 29" above compressed seat height.

C. MECHANISM

Synchronous knee tilt mechanism, complete with intuitive tension control, multi-position tilt lock and pneumatic lift height adjustment.

D. BASE AND CASTERS

5-prong black base with carpet casters.

7300UF - C1 IC2

Perfectly balanced with smooth adjustments. IC2™ sets ergonomic and comfort standards that are second to none. Its curved, sleek design has been lauded by art specialists and users alike. It is lightweight, elegant, and functional.



OPTIONAL MODELS



7300UFST - C1
Mid back
upholstered seat &
mesh back



7300D-UFST - C1
Mid back
upholstered
headrest & seat
mesh back



7300-INT-UFST - C1
Mid back
upholstered seat
and integrated
headrest mesh back

FEATURES

A. UPHOLSTERED OR MESH BACK

The IC2 back features a thin layer of High Density foam upholstered over top of our breathable stretch Nebula mesh. Providing superior comfort and durability.

B. 4D ARMRESTS

Arms feature pivoting arm pads with a 30° total range of motion inward and outward, height (4"), width (3") and depth adjustment (3½"). Polyurethane arm pad for comfort and durability.

C. GALILEO MECHANISM

Slow-release pneumatic height adjustment with infinite tilt lock and back tension control.

D. INTEGRATED SEAT SLIDER

Dual lever. Slides back and forward for those requiring more or less leg support.

E. LUMBAR SUPPORT

Static lumbar support located at 5½" to 18" above compressed seat height. Independent adjustable lumbar support with 5" vertical range and 1" depth.

F. BASE & CASTERS

5-prong, heavy-duty polished aluminum base with standard 3" carpet casters.

**Full mesh option available upon request*

2100D - C1 Bless

The Bless is an ergonomic task chair that is high performing but reasonably priced. With its breezy back and easy adjustments, the Bless is a perfect choice for modern workstations.



OPTIONAL MODELS



FEATURES

A. ADJUSTABLE HEADREST

Easily adjust height and tilt for optimal neck/back support (Model 2100D).

B. LUMBAR SUPPORT

Located at 5.5" to 13" above compressed seat height. Independent adjustable lumbar support with 4" vertical range.

C. 4D ARMS

Arms feature pivoting arm pads with a 30° range of motion inward and outward, height (3"), width (2.5") and depth adjustment (3").

D. MECHANISM

Self-weighted mechanism for the perfect tension with tilt lock. Pneumatic height adjustment and built-in seat slider. All controls clearly labeled and adjustable from a seated position.

E. BASE AND CASTERS

Glass reinforced nylon base with standard dual-wheel carpet casters.

7000D - CH VERONNA - C1 / V001



The Verona is a stylish and colorful ergonomic executive task chair. It has a classic yet contemporary form and maximum ergonomic support that make it ideal for any office environment.



OPTIONAL MODELS



FEATURES

A. ENERSORB™

Seat and back foam conforms to your body and disperses your weight ergonomically.

B. LUMBAR SUPPORT

Adjustable lumbar with a 3" travel to provide support in the lower back. Static range of 5.5" - 18".

C. 4D ADJUSTABLE ARMRESTS

Arms feature pivoting arm pads with a 30° range of motion inward and outward, height (4"), width (2.5") and depth adjustment (3").

D. WATERFALL SEAT

Waterfall seat design gently slopes away from the legs, minimizing pressure on the thighs and promoting good posture.

E. MECHANISM

Synchronous swivel tilt mechanism with multi-position tilt-lock, pneumatic height adjustment, and tension control. Built-in integral seat slider, 2.5" adjustable seat depth.

F. BASE AND CASTERS

5-prong Polished aluminum nylon base with 2" dual wheel casters.

5800UF W XO - C1 / V001

W XO™ the perfect working chair. It sports a refined, sleek profile with distinctive comfort and support. Its waterfall seat and lumbar support make it a top ergonomic, lightweight task chair.



OPTIONAL MODELS



5800M
Mid Back
All Mesh



5800UFST
Mid Back
with Upholstered Seat
and Mesh Back



5800 UFST-DS
Drafting Stool with
Upholstered Seat
and Mesh Back

FEATURES

A. LUMBAR SUPPORT

Static lumbar support located at 5.5" to 14" above compressed seat height. Built in integral flex lumbar.

B. MECHANISM

Weight Sensing Mechanism - Intelligent synchronous TORGLIDER™ balanced recline mechanism automatically provides the right amount of support through the full range of recline motion, regardless of user size and weight. No tension spring to adjust. Multi-position tilt lock adjustment and pneumatic height adjustment.

C. UPHOLSTERED ABLEX™

Allows air to pass freely and moves with you, providing dynamic comfort in all environments.

D. ARMS AND ARM PADS

Arms feature pivoting polyurethane arm pads with a 30° range of motion inward and outward, height adjustment (4"), manual width adjustment of 1" per side.

E. BASE AND CASTERS

5-prong graphite base with dual mag wheel carpet casters.

135 EC1 - C1 / V001

The EC1 is a classic conference chair with a simple style to enhance any boardroom aesthetic.



FEATURES

A. LUMBAR SUPPORT

Static lumbar support located at 5.5" to 17" above compressed seat height.

B. MECHANISM

Sleek, synchronous mechanism with pneumatic height adjustment, swivel, and tension control.

C. SEAT DEPTH ADJUSTMENT

For those requiring more leg support.

D. ENERSORB™

Seat and back foam conforms to your body and disperses your weight ergonomically.

E. FIXED ARMS

Fixed nylon arms.

F. BASE AND CASTERS

Black nylon base with 2" dual wheel carpet casters.

5900 - C1 MXO

The MXO™ is an innovative solution for meeting rooms, conference rooms, and training. Its pneumatic gas lift automatically returns the chair to centered position and uniform height when the user stands up.



**Armless options are available.*

FEATURES

A. LUMBAR SUPPORT

Static lumbar support located at 5.5" to 16" above compressed seat height. Back Features Ablex Mesh with built integral flex lumbar.

B. MECHANISM

Swivel tilt mechanism with auto-return, tilt-lock and gas lift height adjustment.

C. ABLEX MESH

Allows air to pass freely and moves with you, providing dynamic comfort in all environments.

D. ARMS

Contoured fixed height polyurethane arm rests designed to fit under standard table height.

E. BASE AND CASTERS

5-prong heavy duty nylon base. 2" mag wheel carpet casters.

7280 VXO - C1 / V001

The VXO™ offers a simple, lightweight design that delivers remarkable comfort and dynamic support. Its easy to adjust lumbar support keeps you focused on what's at hand.



OPTIONAL MODELS



7280-07
Mid Back
Armless



7280
Mid Back
Fixed Height Arms

FEATURES

A. LUMBAR SUPPORT

Static lumbar support. Located at 5.5" to 14" above compressed seat height. Independent adjustable lumbar support with 4" vertical range.

B. MECHANISM

Swivel tilt mechanism with single position tilt lock and tilt tension control. (Optional multi-tilt mechanism available)

C. NEBULA MESH

Opaque nebula mesh back.

D. LOOP ARMS

Fixed loop arms.

E. BASE AND CASTERS

Heavy duty nylon base with 2" carpet casters.

200UPH - C1 FIREFLY

The Firefly is a part of our stackable collection. They're functional, flexible, strong, and versatile. Perfect solution for any environment.



OPTIONAL MODELS



200MUFST
Stacker
Mesh Back
Upholstered
Seat



200UST
Stacker
Upholstered
Seat



201
Armless
Stacker

FEATURES

A. UPHOLSTERED OR MESH BACK

Translucent ablex mesh. Allows for comfortable air circulation and dynamic ergonomic support.

B. UPHOLSTERED SEAT

Optional upholstery provides a comfortable sit in any environment.

C. WATERFALL SEAT DESIGN

To reduce muscle fatigue.

D. STEEL FRAME

No fuss, sturdy frame with angled legs for strength and stability.

502 CRICKET II C1 / V001



With its bright colors and stackability, the Cricket II adds a pop of fun to any common space! The perfect guest chair for multi-use functions.



OPTIONAL MODELS



502CA
Stacker with
casters



503
Armless
Stacker

FEATURES

A. STATIC LUMBAR SUPPORT

Located at 4" to 15" above compressed seat.

B. FRAME

4 leg 16-gauge heavy duty tubular steel frame with glides.

C. WATERFALL SEAT

Waterfall seat design gently slopes away from the legs, minimizing pressure on the thighs and promoting good posture.

STANDARD CONFIGURATION

4 leg frame with upholstered seat and back on glides. Stacks 6 high free standing, 10 high on dolly.

6401M - C1 NXO

The NXO™ chair is a nesting, stacking, and storing chair that provides comfort, versatility, and style to any workplace. Available in classic or eye-catching colours, it is well-suited to any of your workspace needs.



OPTIONAL MODELS



6401
Poly Back
Upholstered



6401-UF
Full Upholstered
Back and Seat



6401-ATR / ATL
Poly Back
Upholstered
Side Tablet

**Armless option available upon request*

FEATURES

A. ERGONOMIC SUPPORT

Unique reclining motion of the back provides comfortable relaxed support.

B. ENERSORB™

Our seat is made with our most durable and ultra-comfortable ENERSORB™ foam that improves blood circulation by reducing seating pressure points.

C. FIXED ARMS

Fixed nylon arms.

D. BASE AND CASTERS

Lightweight design built with durable, smooth carpet casters.

6502UFST OXO

The OXO™ side chair offers minimalist beauty, performance, and unprecedented comfort. Add a modern spark to any office or home with OXO™, which automatically adjusts to the user's movements to support good posture.



OPTIONAL MODELS



6501
Four Legged with
Arms Guest
All Mesh



6502
Sled Base with
Arms Guest
All Mesh



6501UFST
Four legged
Upholstered
Seat

**Armless option available upon request*

FEATURES

A. LUMBAR SUPPORT

Located at 5½" to 16" above compressed seat height.

B. FIXED ARMS

Comfortable, fixed polyurethane arm pads.

C. RESPONSIVE ELASTIC MESH

Translucent ABLEX™ mesh back for a perfect fit and customized support.

D. WATERFALL DESIGN

Seat gently slopes to reduce tension and muscle fatigue, promoting good posture.

E. BASE

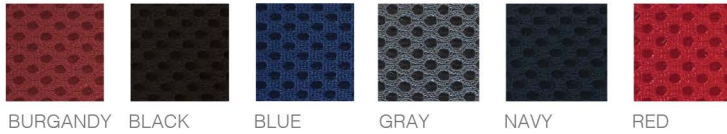
Sled base is lightweight and durable.

TEXTILES - QUICK SHIP STANDARD OPTIONS



MYSTIC

Mystic is a breathable stretch material that is designed to enhance the comfort of any chair. The subtle waffle pattern allows it to blend seamlessly into any office design. It boasts an abrasion resistance of 100,000 double rubs. To care for Mystic spot clean with an environmentally friendly water soluble cleaner or simply wipe with a damp micro fibre cloth.



FOUNDATION

Foundation is our most durable fabric with an abrasion rating of over 600,000 double rubs. It is a solid color material with 18 standard color choices. To care for Foundation spot clean with an environmentally friendly water soluble cleaner or simply wipe with a damp micro fibre cloth.



FAUX LEATHER - STANDARD VINYL

Our Standard Vinyl provides an executive look and comfortable feel. It is also perfect to help repeal stains and keep things nice and tidy. 11 standard color choices and an abrasion resistance of over 100,000 double rubs. To care for Standard Vinyl spot clean with an environmentally friendly water soluble cleaner or simply wipe with a damp micro fibre cloth.



MADRAS LEATHER

Our Madras Leather is a Top Grain Embossed High Grade Leather. It provides a luxurious feel and true Executive look. Available in 13 standard colors. Care instructions- Leather will repel 'some' moisture, water, oils and other liquids can eventually stain it. If stains occur, dry them by tapping/dabbing out stains with a soft, dry cloth. Avoid pressing hard in one small area. Then buff to a shine with a dry cloth. Dust on a weekly basis with a soft cloth or vacuum with a soft brush. Gently warming and rubbing with a soft cloth to redistribute the oils in the leather can remove some superficial scratches. Do not use normal household cleaning products.





ISO 14001 & ISO 9001 CERTIFIED TB117-2013 COMPLIANT

Made in a 100% waste free manufacturing facility.



certified by NSF

DIMENSIONS DISCLAIMER

Dimensions are subject to change without notice.
Dimensions may have a variance of up to 0.5".
Contact us if more precise measurements are needed.

TEXTILE DISCLAIMER

We only upholsters with top quality materials.

We recommend ordering product samples before final purchase to get a more accurate representation of color. However, due to slight variations in dye lots, there can be slight color variations to received product.

Every effort has been made to represent the colors and textures of these textiles, vinyls and leathers as accurately as possible. However, we cannot guarantee 100% accuracy, due to variations that occur in the printing process.

GREAT JOURNEY WEST, LLC

www.greatjourneywest.com

314-478-5792

 ***Nightingale***

nightingalechairs.com

1-800-363-8954