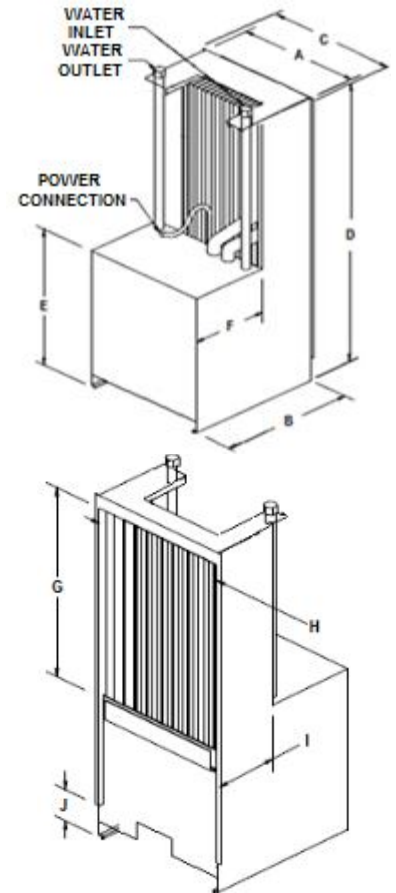


Climate Master 816-10,816-12,816-15,816-20,816-30,816-36 & California Heat Pump CHP RF

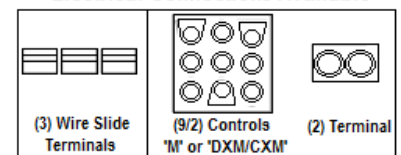
GENERAL PRODUCT SPECIFICATIONS						
Model Number	WPS10-HPA	WPS12-HPA	WPS15-HPA	WPS20-HPA	WPS30-HPA	WPS36-HPA
Nominal Cooling (tons)	0.83	1.00	1.25	1.7	2.5	3.0
COOLING CYCLE						
Total BTUH	10,150	12,100	15,400	20,000	30,000	36,000
HEATING CYCLE						
Total Heating	12,000	16,000	18,000	24,000	36,000	43,000
COMPRESSOR TYPE	Rotary	Rotary	Rotary	Rotary	Scroll	Scroll
Refrigerant R410a (oz)	26	26	26	32	40	48
FILTER 1" Washable	16 x 24	16 x 24	16 x 24	16 x 24	20 x 24	20 x 24
CONDENSER COIL	Coaxial - Tube in Tube					
Gallons Per Minute	2.5	3.0	3.7	5.0	7.5	9.0
Water In Connection	1/2	1/2	1/2	1/2	1/2	3/4
Water Out Connection	1/2	1/2	1/2	1/2	1/2	3/4
Condensate Connection	3/4 Pipe	3/4 Pipe	3/4 Pipe	3/4 Pipe	3/4 Pipe	3/4 Pipe
EVAPORATOR COIL - TYPE	Copper Tube-Aluminum Fins					
Refrigerant Control	TXV	TXV	TXV	TXV	TXV	TXV



Dimensions: (Inches)

Model No.	A	B	C	D	E	F	G	H	I	J
10/12/15	14-1/2	15-5/8	15-1/2	36-3/8	18-5/8	8-5/8	22-3/4	14-1/4	7	4
20	17-1/2	18-5/8	18-1/2	41-1/4	19	10-5/8	22-3/4	17-1/4	8	4-3/8
30/36	21	22-1/4	22-1/2	41-1/4	21-7/8	14-1/2	23	20-3/4	8	4-3/4

Electrical Connections Available



ELECTRICAL DATA						
Model No.	Electrical	Compressor		Unit Total	Min. Circuit	Maximum Fuse
		RLA	LRA			
WPS10-1HPA	208/230/60/1	4.5	25	4.5	5.6	15
WPS10-2HPA	265/277/60/1	4.0	23	4.0	5.0	15
WPS12-1HPA	208/230/60/1	4.7	25	4.7	5.8	15
WPS12-2HPA	265/277/60/1	4.2	22	4.2	5.3	15
WPS15-1HPA	208/230/60/1	5.6	29	5.6	7.0	15
WPS15-2HPA	265/277/60/1	5.0	28	5.0	6.2	15
WPS20-1HPA	208/230/60/1	7.4	33	7.4	9.2	15
WPS20-2HPA	265/277/60/1	6.0	28	6.0	7.5	15
WPS30-1HPA	208/230/60/1	12.8	64	12.8	16.0	25
WPS30-2HPA	265/277/60/1	10.9	60	10.9	13.6	20
WPS36-1HPA	208/230/60/1	14.1	77	14.1	17.6	25
WPS36-2HPA	265/277/60/1	12.2	72	12.2	15.2	25

Note: Due to on-going research and development, product specifications may change without notice.



GENERAL PRODUCT SPECIFICATION

REFRIGERATION CIRCUITS

All models utilize a high efficiency rotary or scroll compressor. The compressors are wired with internal over-load protection. Each compressor section is insulated for sound attenuation. Compressors are mounted on rubber isolators to minimize vibration transmission. The refrigeration circuit consists of an adjustable thermal expansion valve. A high efficiency coaxial tube in tube condenser coil is utilized.

ELECTRICAL/CONTROLS

All units have high and low pressure controls. All units are equipped with Anti-freeze controls. Refrigerant access valves are located for easy access.

FILTERS

All units are shipped with a washable 1" reusable filter on the return air intake.

OPTIONS

Stainless Steel Braided Hoses

Important:

Chassis performance is based on maintaining proper air flow. Assessment of the blower and the motor is essential. Repair or replacement of the blower section must be done on each installation.



The vertical stacked heat pump chassis is an exact replacement for the **Climate Master 816** and the **California Heat Pump CHP RF** series. The units are available in nominal capacities of 10,000, 12,000, 15,000, 20,000, 30,000 and 36,000 Btu's. The replacement chassis is designed as an exact replacement for the original, allowing for a quick installation. The equipment is manufactured to meet industry standards using proven modern, components and offers high efficiency and reliability. Backed by a one year parts warranty and five year compressor warranty.

CABINET

The chassis is constructed with a 16 gauge base and a combination of 16 & 20 gauge galvanized sheet metal cabinet. The unit interior is insulated with 1/2" thick insulation for sound attenuation as well as its insulation factor.