

ICS Sub 12

Subwoofer
Owner's Manual

Snell

143 Essex Street
Haverhill, MA 01832
phone: 978-373-6114
fax: 978-373-6172
email: info@snellacoustics.com
web: www.snellacoustics.com

Snell

HOW TO CARE FOR YOUR SUBWOOFER

- ▶ Use a soft terry cloth towel slightly dampened with water, glass cleaner, or a diluted mild detergent. The towel should be just damp enough to wipe the surface clean without leaving a trail of moisture.
- ▶ Do not use abrasive cleaners or any cleaner containing chemicals harsher than those found in glass cleaner.

LIMITED WARRANTY

During the warranty period, Snell Acoustics will repair, for the original owner, any defect in materials or workmanship that occurs in normal use of the speaker system, without charge for parts and labor. The warranty period for all parts of the ICS Sub 12 is five (5) years.

Your responsibilities are to use the product according to the instructions supplied, to provide safe and secure transportation to an authorized Snell Acoustics service representative, and to present proof of purchase from an authorized Snell dealer in the form of your sales slip when requesting service.

Excluded from this warranty is damage that results from abuse, misuse, accidents, shipping, repairs, or modifications by anyone other than an authorized Snell Acoustics service representative. This warranty is void if the serial number has been removed or defaced.

This warranty gives you specific legal rights, and you may also have other rights that vary from state to state.

If Service Seems Necessary

Contact the dealer from whom you purchased the speaker system. If that is not possible, call us at 978-373-6114, or write to:

Snell Acoustics
143 Essex Street
Haverhill, MA 01832

We will promptly advise you of what action to take. If it is necessary to return your speaker system to the factory, please ship it prepaid in the original factory packaging. Please note that Snell Acoustics will not be held liable for shipping damage due to improper packaging. After it has been repaired, we will return it freight-prepaid in the U.S. or Canada.

SPECIFICATIONS

Frequency Response (± 3 dB)	28 - 200Hz
Recommended Amplifier Power	75 - 300 watts
Nominal Impedance	8 ohms
Sensitivity	89 db
Bass Unit	12-inch (305mm) cast chassis woofer in 4th order enclosure
Cabinet Construction	3/4-inch MDF
Input Connections	5-way gold-plated terminals, accepts spades up to 5/16", pins, banana plug and bare wire to 12 gauge
Grille	Black cloth over MDF frame
Dimensions (HxWxD)	22" x 17 1/2" x 16" (56 x 44 x 41cm)
Weight (shipping)	60 lbs. (27 kg)
Finish	Black utility finish, hand-sanded, hand-painted

INTRODUCTION

The ICS Sub12 provides 1st octave bass with exceptional speed and output. The enclosure, while versatile in shape, is a 4th order vented enclosure. Its passive design enables a system design with a remote mounted amplifier, allowing for the amplifier's performance characteristics to optimize the subwoofer's capabilities. The heart and soul of the ICS Sub12 is a specially designed 12-inch cast frame woofer and motor structure, capable of extremely long linear excursion. In an average room, one ICS Sub12 is enough to deliver truly awe inspiring bass.

FEATURES

1 Gold Plated Input Terminals

These high quality terminal accept spade terminals, pins, banana plug and bare wire to 12 gauge

2 Bass Driver

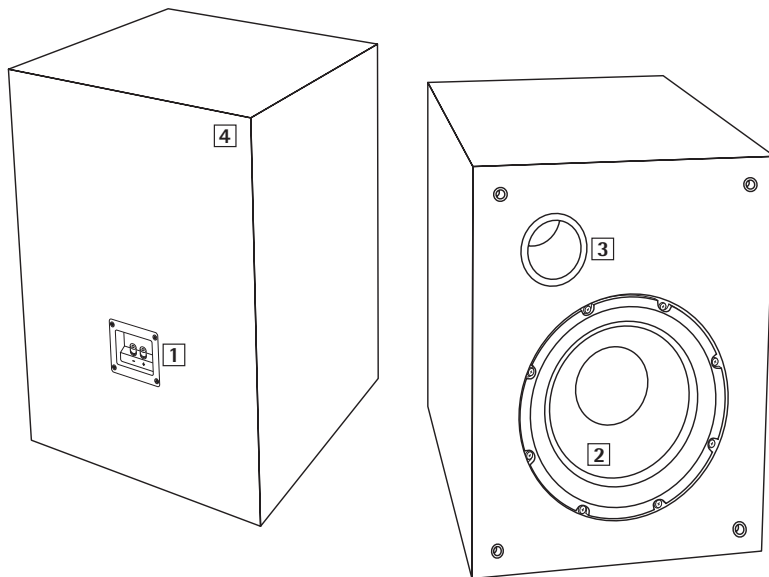
The ICS Sub 12 has a 12-inch (305 mm) long excursion, cast chassis bass driver.

3 4th Order Vented Tuning

Delivers extended bass response and high efficiency from a cabinet just over 3¹/₂ cubic feet (0.1 M³) in volume.

4 Handmade Cabinets

Our cabinet department hand assembles each unit, and then hand sands each several times. The result is a cabinet of exceptional workmanship, with sharp corners and smooth sides.



PLACEMENT

Typically the ICS Sub 12 will produce the smoothest response when placed against a wall. Placement in a corner will further enhance bass output allowing you to run operate the subwoofer at a lower power level. Experiment with subwoofer placement before settling on a placement location.

Choose a musical selection with a heavy and continuous bass line. Play a short section several times until you have a firm impression of it in your mind. Then try another location to see if it provides smoother or more balanced response . Repeat this process until you are content with the bass response you are getting. Strive for a smooth, solid bass response that does not emphasize any part of the bass range.

Note: Avoid placing the ICS Sub 12 close to a television or monitor. There should be at least 8 inches (20cm) between the two components. If getting the best sound, together with the physical constraints of the room, require that the two units must be closer than that you can purchase a magnetic shielding kit from Snell Acoustics.

CONNECTION

The terminals of the ICS Sub 12 accept spade terminals, pins, banana plug or bare wire to 12 gauge. Be sure to connect the positive (+) amplifier terminal to the RED binding post of the Sub12, and negative (-) amplifier terminal to the BLACK binding post, to achieve the correct polarity. All wire has a stripe on one side, or ridges molded into the insulation, or some other marking to make it easy to trace the connections to be sure the wire is properly connected.

