

REV	DESCRIPTION	BY	DATE
AO	INITIAL RELEASE		01.29.15

# PAGE SUBTITLE


# PAGE NUMBER

- 990-DXX-ECM00 SYSTEM OVERVIEW \_\_\_\_\_ 2
- 990-000-ECM16 COMPONENT DESCRIPTION \_\_\_\_\_ 3
- 990-000-00000 COMPONENT DESCRIPTION \_\_\_\_\_ 4
- EC 120VAC, ATX AND 12VDC \_\_\_\_\_ 5
- DISPLAY 120VAC AND 12VDC \_\_\_\_\_ 6
- MOTHERBOARD & AUDIO CARDS \_\_\_\_\_ 7
- AUDIO AMPLIFIERS \_\_\_\_\_ 8
- SPEAKER CONNECTIONS \_\_\_\_\_ 9

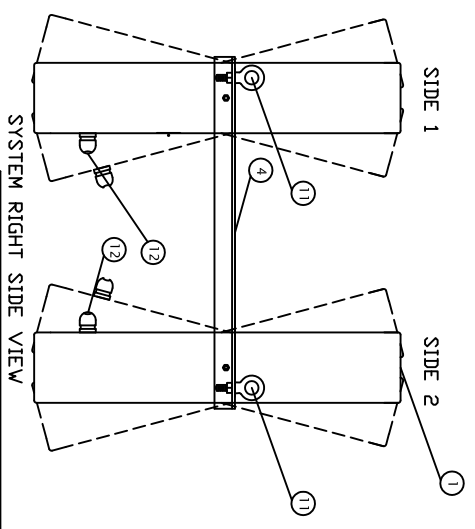
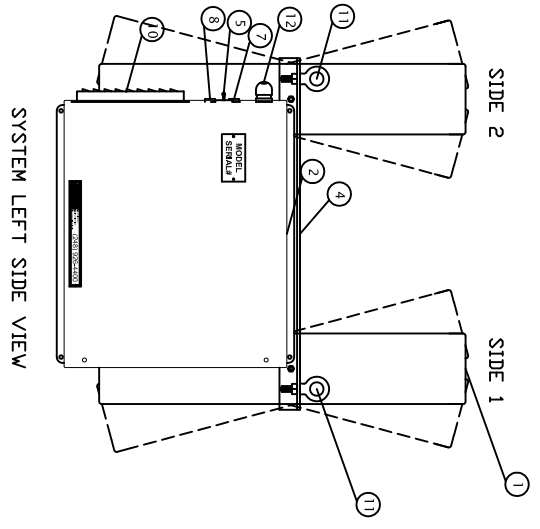
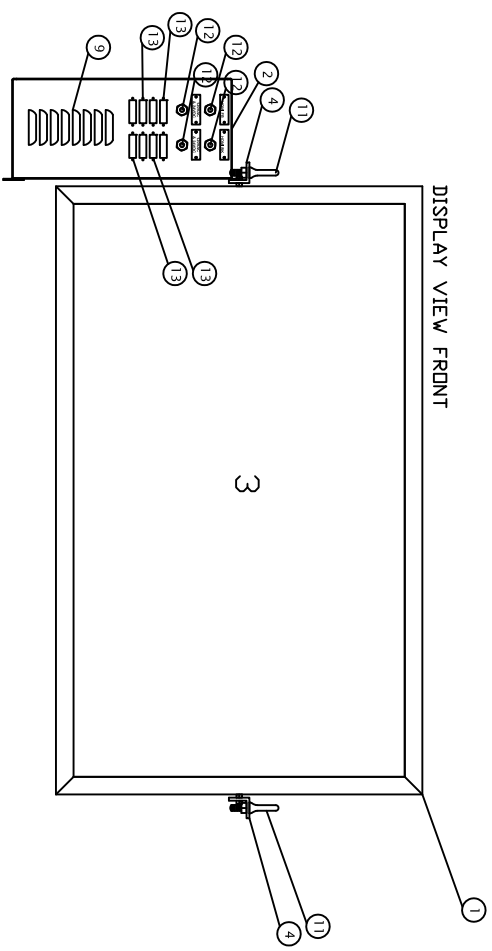
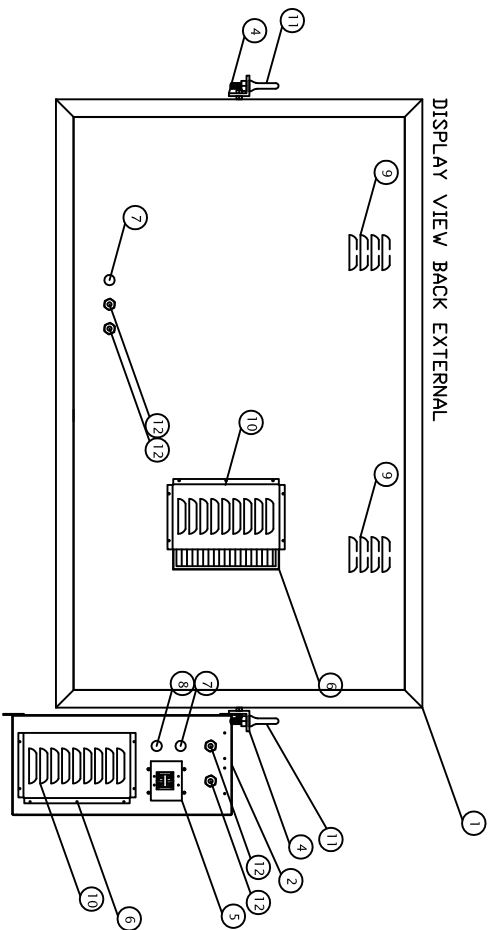
## SERIES 990 PART NUMBERS AND DESCRIPTION

990-W XX - YY M ZZ

0	ND	DISPLAY	00	ND	MUSIC
S	SINGLE	SIDED	04	4	CHANNEL MUSIC
D	DOUBLE	SIDED	08	8	CHANNEL MUSIC
70	70"	LCD	12	12	CHANNEL MUSIC
65	65"	LCD	16	16	CHANNEL MUSIC
55	55"	LCD	00	ND	CONTROL BOX
42	42"	LCD	EC	W/	CONTROL BOX

 Static Controls Corporation 30460 WIXOM ROAD WIXOM, MI 48393 TEL: 519-826-4412 FAX: 519-826-4412	Outline Design Appr.	Date 01.29.15	This TABLE OF CONTENTS Rev.
	Scale NONE	The DRAWING NUMBER 990-WXX-YYMZZ01.DWG	

ASSEMBLY COMPONENTS				
N/A	SCC PART NUMBER	PART DESCRIPTION	QUANTITY	NOTES
	1	990-DXX-00M00	1	
	2	990-000-EGM00	1	
	3	XXXXXX	1/SIDE	
	4	XXXXXX	2	
	5	26414	2	
	6	FC500-9.00	1	
	7	14404	2	
	8	14403	2	
	9		3	
	10		2	
	11	1/2-13 EYE BOLT	4	
	12	25922011	4	
	13	XXXXXXX	8	



**Static Controls Corporation**  
 30400 WIXOM ROAD  
 WIXOM, MI 48196  
 (248) 926-4400  
 FAX (248) 926-4412

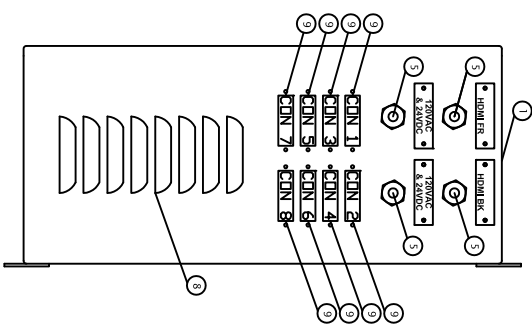
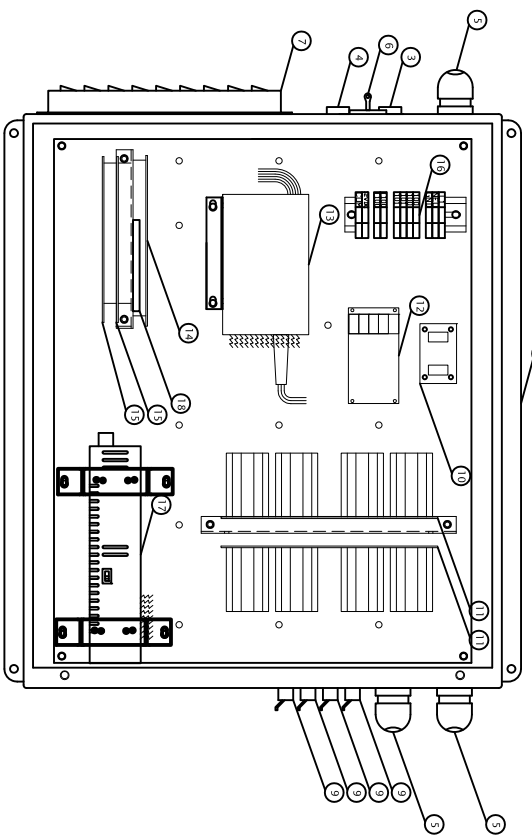
General: MERT 01.29.15  
 Design: SCC  
 Appr: NONE  
 Scale: NONE  
 Title: 990-DXX-ECM00 OVERVIEW

Part Number: PS-990-WXX-YMWZ02.DWG  
 Revision: 2.dOB  
 Date: 11/07/17

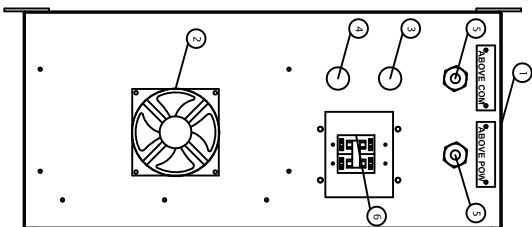
AO

N/A	SCC PART NUMBER	PART DESCRIPTION	QUANTITY	NOTES
1	990-000-ECM16	SCC LCD CONTROL ASSEMBLY	1	
2	50015	* EXHAUST FAN	1	
3	14404	GREEN AC POWER ON INDICATOR	1	
4	14403	YELLOW OVER TEMPERATURE INDICATOR	1	
5	25922UL	COND GRP	6	
6	26414	C81 10 AMP EXTERNAL MAIN CIRCUIT BREAKER	1	
7		SYSTEM AIR INTAKE	1	
8	XXXXX	SYSTEM AIR EXHAUST	1	
9	XXXXX	SPEAKER CONNECTIONS	8	
10	AD-5000-100C	FAN CONTROL	1	
11	AD-6941-101	AMP	4	
12	ADL-5000-300D	TEMP SHUT DOWN	1	
13	92005-ATX-250	COMPUTER POWER SUPPLY	1	
14	201687	MOTHER BOARD	1	
15	AD-941-300	SCC SOUND CONVERSION CARDS	2	
16	17537	TERMINAL BLOCKS	11	
17	92005-12-25	12VDC POWER SUPPLY	1	
18	20197	HARD DRIVE	1	
19	FG00-9.00	PLEATED FILTER	1	

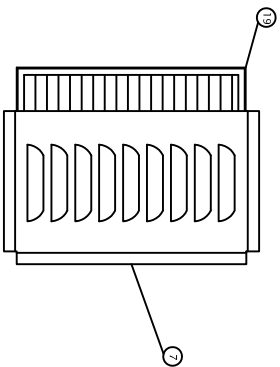
EC FRONT SIDE INTERNAL VIEW



EC RIGHT SIDE VIEW



EC LEFT SIDE VIEW



**SCC**  
Stable Controls Corporation

30460 WIXOM ROAD  
WIXOM, MI 48393  
TEL: (517) 826-4441  
FAX: (517) 826-4412

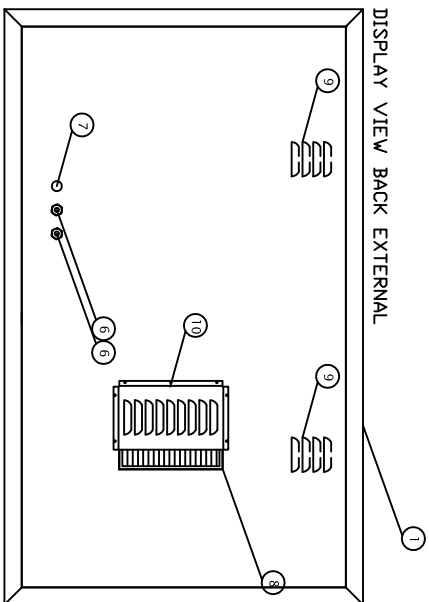
Outside  
Michigan  
Communications

Design: MET  
Appr.: SCC  
Size: A Scale: NONE

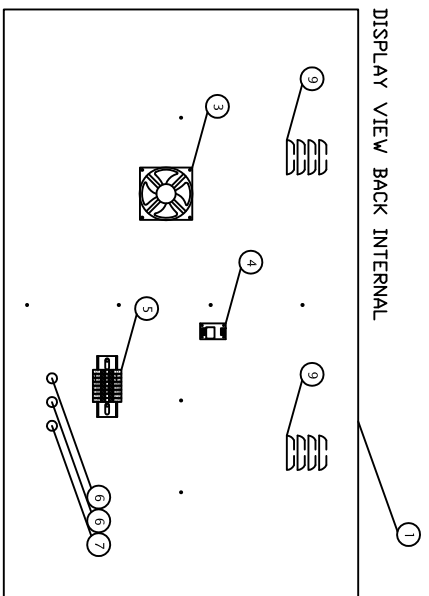
990-000-ECM16  
COMPONENT DESCRIPTIONS

DRAWING NUMBER: HS-990-WXX-YMZZ  
Rev: 3 of 3  
AO

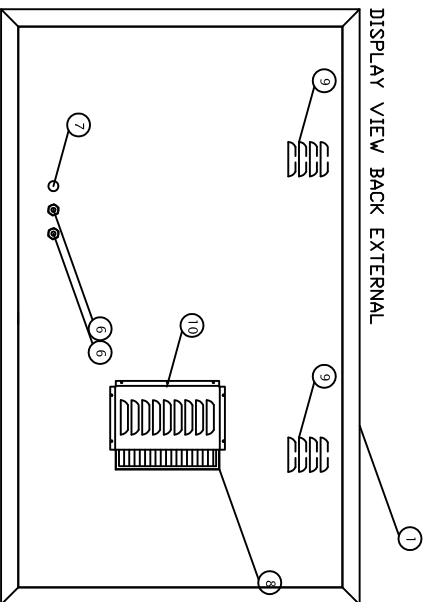
ASSEMBLY COMPONENTS				
N/A	SCC PART NUMBER	PART DESCRIPTION	QUANTITY	NOTES
1	990-DXX-00M00	SCC LCD DISPLAY ASSEMBLY	1	
2	XXXXXXX	1/ SIDE	1	
3	50015	4- EXHAUST FAN	1	
4	ADL-5000-100C	FAN CONTROL	1	
5	17537	TERMINAL BLOCKS	2	
6	25922UL	CORD GRIPS	2	
7	14404	GREEN AC POWER ON INDICATOR	1	
8	FG-00-9.00	PREATED AIR FILTER	1	
9		SYSTEM AIR EXHAUST	2	
10		SYSTEM AIR INTAKE	1	
11				
12				
13				
14				
15				
16				
17				
18				



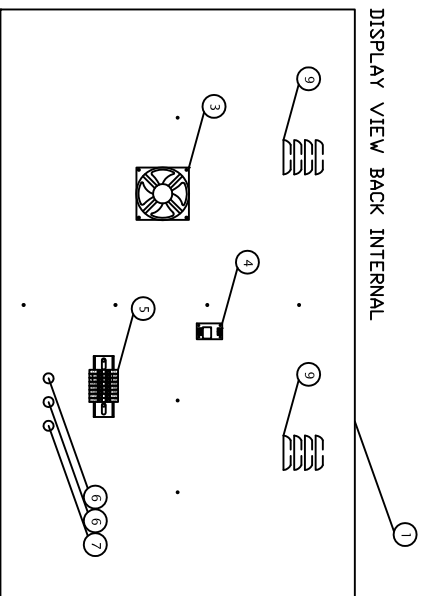
DISPLAY VIEW BACK EXTERNAL



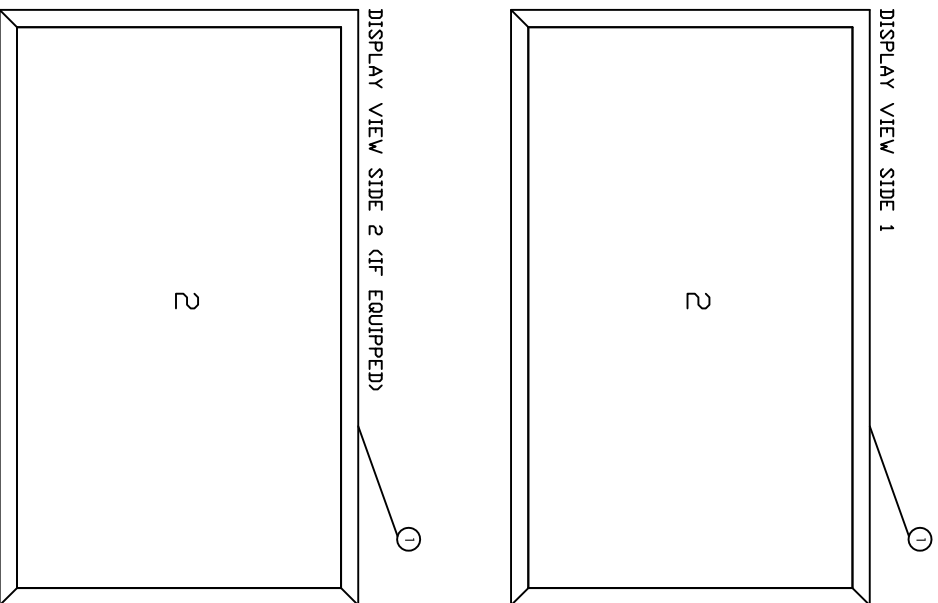
DISPLAY VIEW BACK INTERNAL



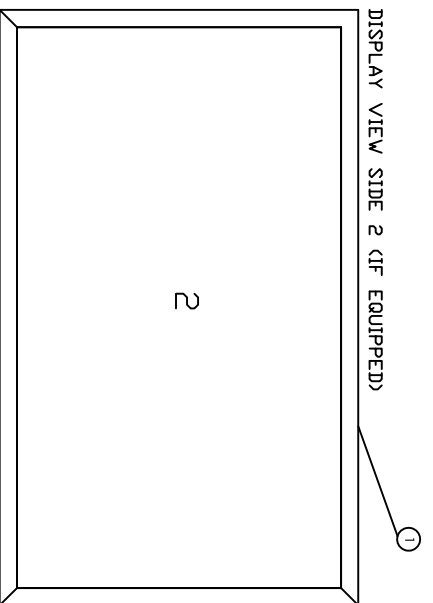
DISPLAY VIEW BACK EXTERNAL



DISPLAY VIEW BACK INTERNAL



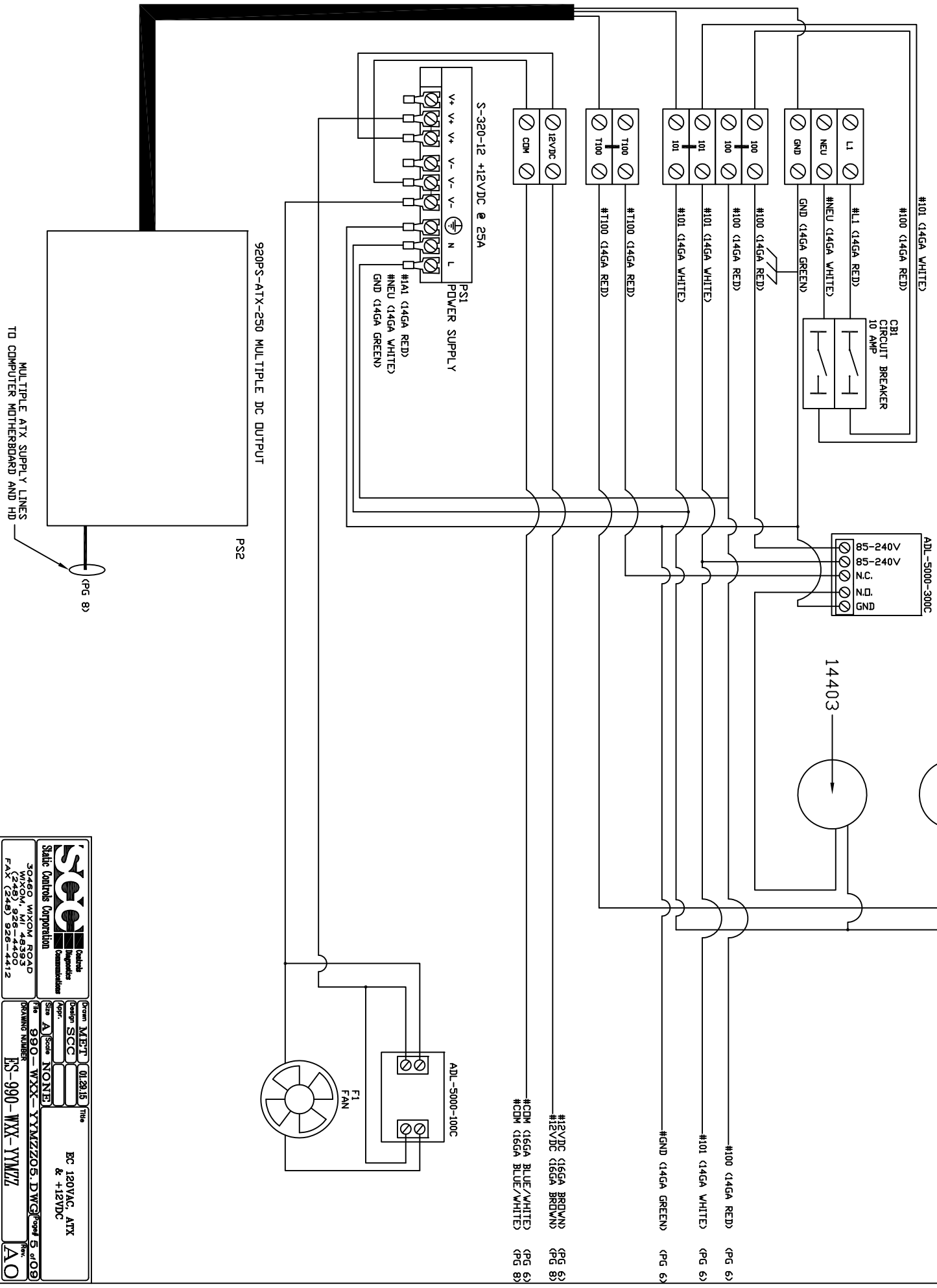
DISPLAY VIEW SIDE 1



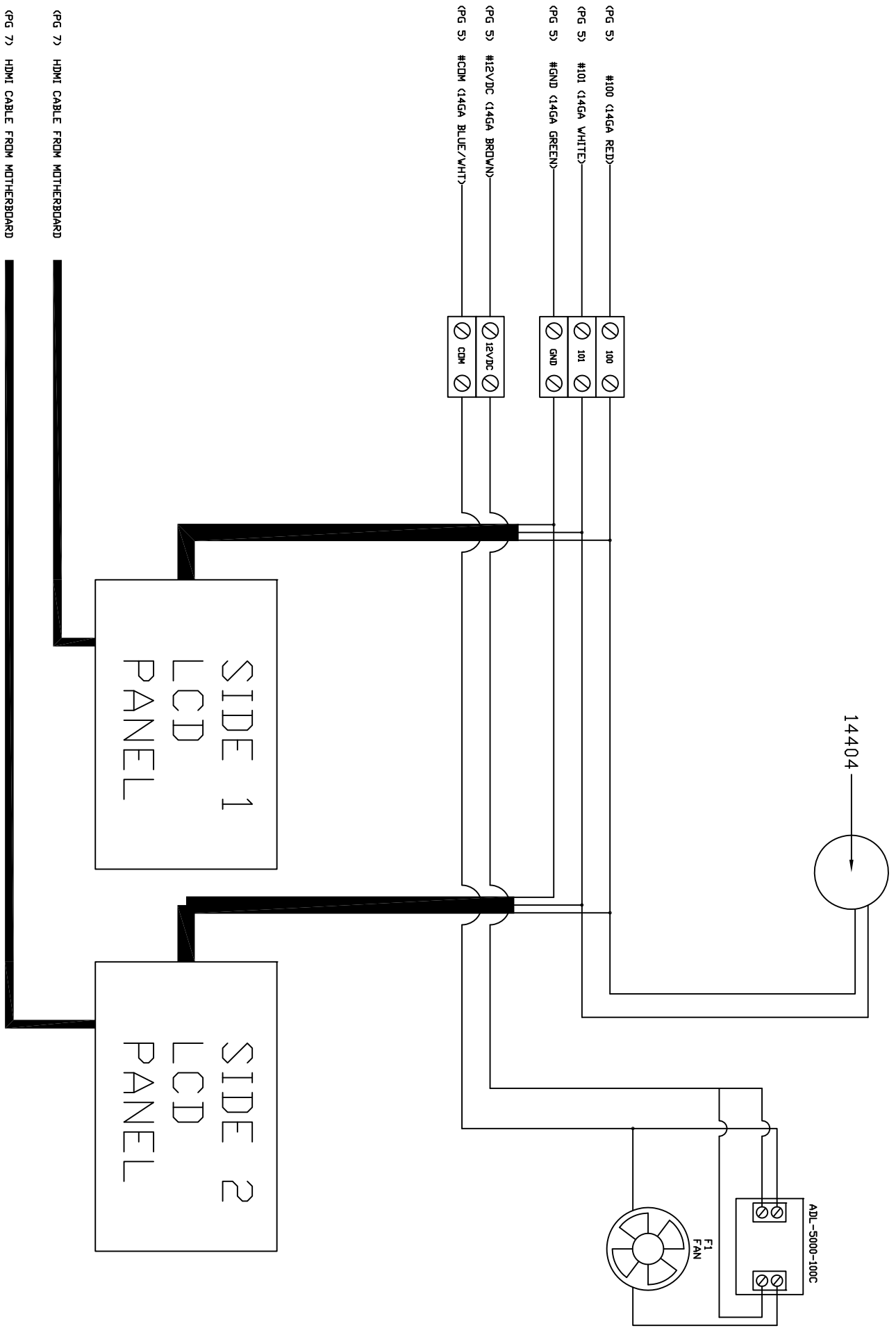
DISPLAY VIEW SIDE 2 (IF EQUIPPED)

	<b>Stable Controls Corporation</b> 30460 WIXOM ROAD WIXOM, MI 48393 FAX (517) 826-4412	Order: <b>MEET</b> 01.20.15 This Design: <b>SCC</b> Appr.: Size: <b>A</b> Scale: <b>NONE</b> DRAWING NUMBER: <b>HS-990-WXX-YMZZ</b>	<b>990-000-000000</b> COMPONENT DESCRIPTIONS Rev: <b>AO</b>
	30460 WIXOM ROAD WIXOM, MI 48393 FAX (517) 826-4412	Order: <b>MEET</b> 01.20.15 This Design: <b>SCC</b> Appr.: Size: <b>A</b> Scale: <b>NONE</b> DRAWING NUMBER: <b>HS-990-WXX-YMZZ</b>	<b>990-000-000000</b> COMPONENT DESCRIPTIONS Rev: <b>AO</b>

CUSTOMER IS RESPONSIBLE FOR PROVIDING AN APPROPRIATE EARTH GROUND AT THE CUSTOMER CONNECTION POINT. AN EARTH GROUND IS REQUIRED FOR SAFE AND PROPER OPERATION OF THIS UNIT.



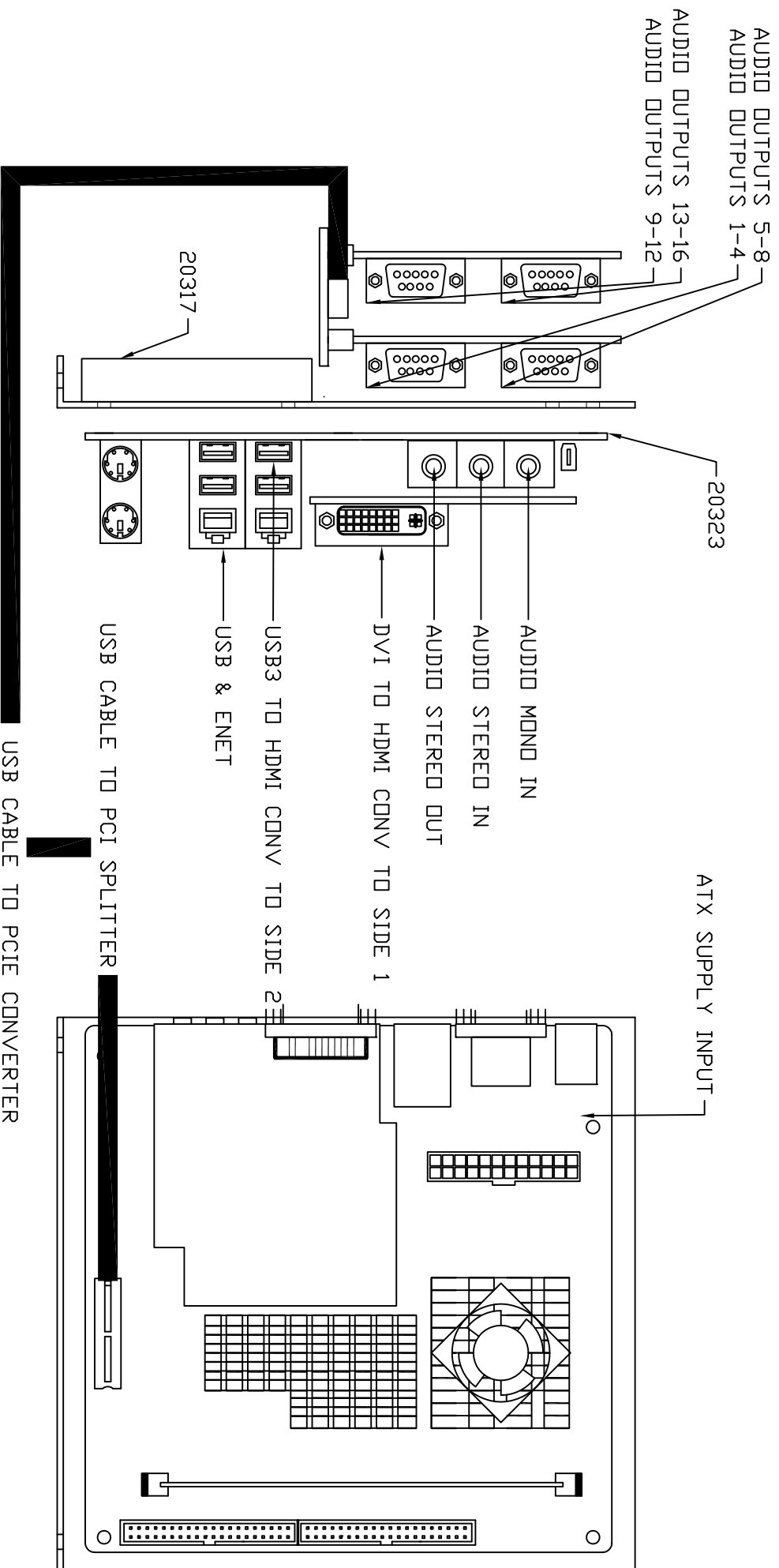
<p>Static Controls Corporation</p> <p>30460 WIXOM ROAD WIXOM, MI 48393 TEL: 519-826-4412 FAX: 519-826-4412</p>	<p>Outside Inquiries</p>	<p>Order MKT</p>	<p>Date 01/20/15</p>	<p>Title Rev.</p>	
	<p>Comments</p>	<p>Design SCC</p>	<p>Scale NONE</p>	<p>Part BC 120VAC, ATX &amp; +12VDC</p>	
	<p>Size A</p>	<p>Appr.</p>	<p>Drawings NONE</p>	<p>Part HS-990-WXX-YYMZZ</p>	<p>Rev. AO</p>
	<p>File 990-WXX-YYMZZ/05.DWG</p>	<p>DRAWING NUMBER</p>	<p>HS-990-WXX-YYMZZ</p>	<p>Rev. AO</p>	<p>Rev. AO</p>



(PG 7) HDMI CABLE FROM MOTHERBOARD

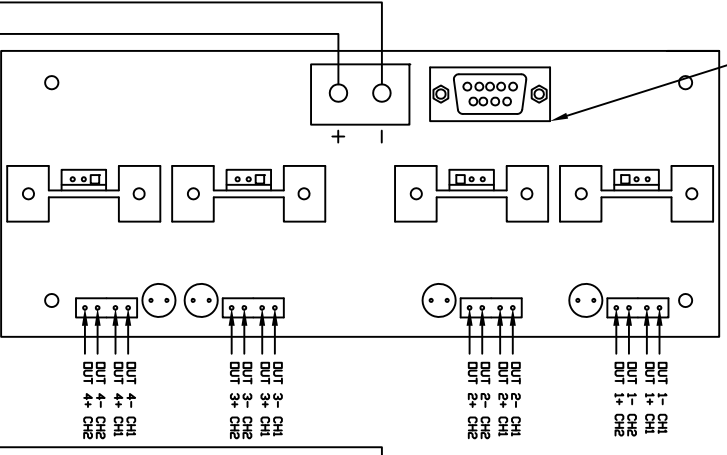
(PG 7) HDMI CABLE FROM MOTHERBOARD

 Static Controls Corporation 30460 WIXOM ROAD WIXOM, MI 48393 FAX (248) 826-4412	Outline Dimensions Comments	Date 01.20.15 This	DISPLAY 120VAC & +12VDC Rev.
	Design SCC Appr.	Scale NONE	
AO			

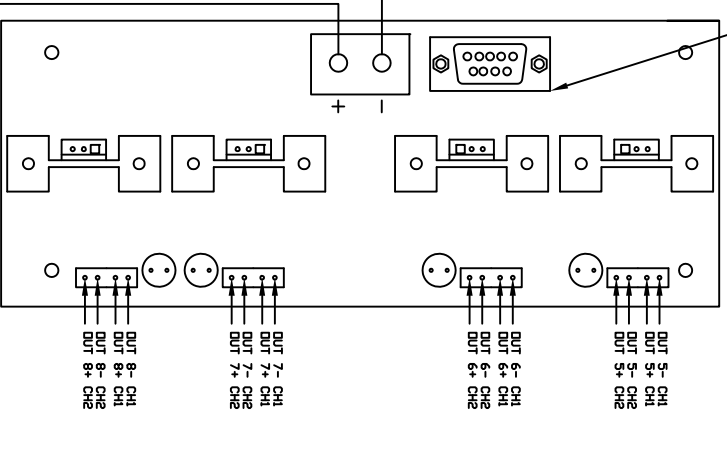


	Outside Design	01.20.15 Title
	Stable Controls Corporation 30460 WIXOM ROAD WIXOM, MI 48393 FAX (248) 826-4412	Inside Design SCC
Scale NONE	Date 990-WXX-YYMMZZ07.DWG	Rev. 7
DRAWING NUMBER HS-990-WXX-YYMMZZ	Part No. AO	

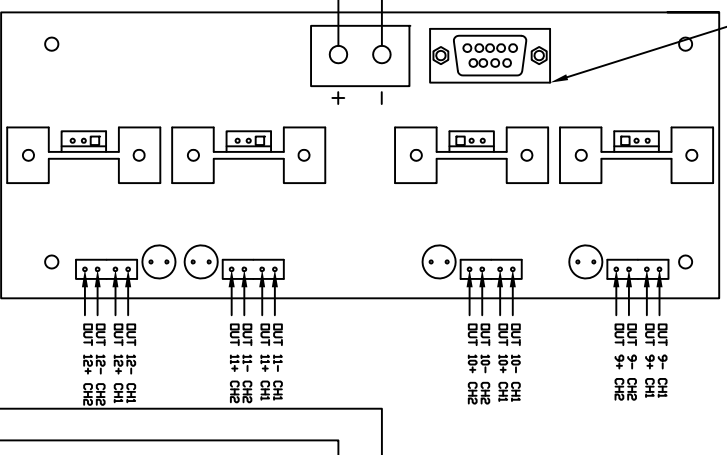
INPUT FROM AD-941-300  
OUTPUT 1-4 PAGE 7.



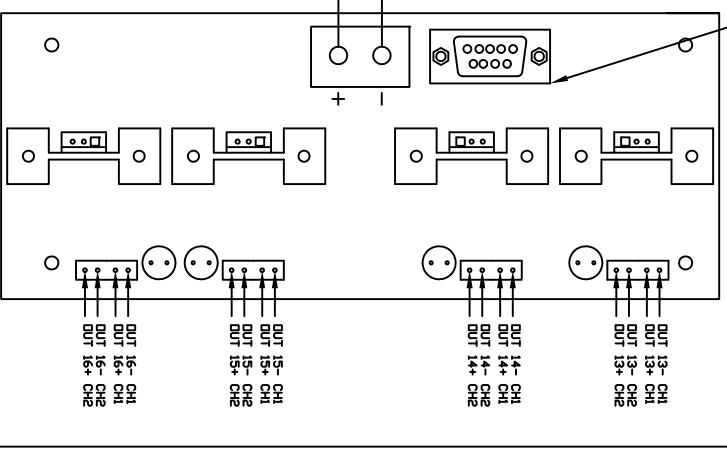
INPUT FROM AD-941-300  
OUTPUT 5-8 PAGE 7.



INPUT FROM AD-941-300  
OUTPUT 9-12 PAGE 7.



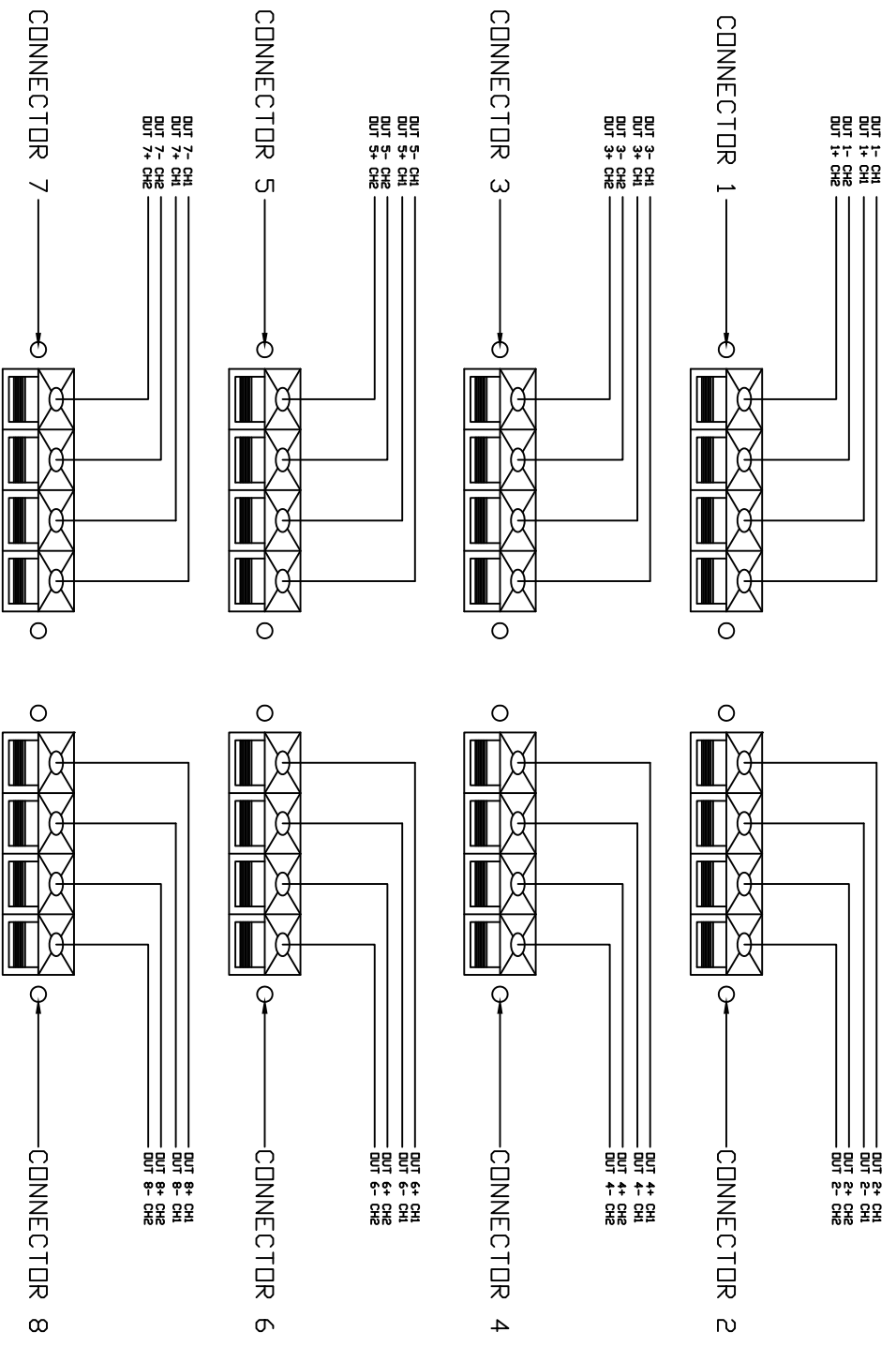
INPUT FROM AD-941-300  
OUTPUT 13-16 PAGE 7.



#12VDC (16GA BRDWN) (PG 5)  
#CDM (16GA BLUE/WHITE) (PG 5)

<p>Stable Controls Corporation 30460 WIXOM ROAD WIXOM, MI 48393 TEL: (517) 826-4412 FAX: (517) 826-4412</p>	<p>Output: MET Design: SCC Appr: [ ] Size: A Scale: NONE</p>	<p>Title: AUDIO AMPLIFIERS</p>
	<p>Part: 990-WXX-YYZZ08.DWG Drawing Number: HS-990-WXX-YYZZ</p>	<p>Rev: 8 of 8</p>
	<p>Drawn: [ ] Checked: [ ] Appr: [ ]</p>	<p>Rev: [ ]</p>
	<p>Scale: [ ]</p>	<p>Rev: [ ]</p>





	Outline Dimensions Comments	Drawn Design Appr.	MET SCC Scale NONE	Title 012815 SPEAKER WIRING
	Static Controls Corporation 30460 WIXOM ROAD WIXOM, MI 48393 TEL (517) 826-4412 FAX (517) 826-4412	The 990-WXX-YYMMZZ09.DWG DRAWING NUMBER HS-990-WXX-YYMMZZ	Size A	Rev. 9 of 09 AO