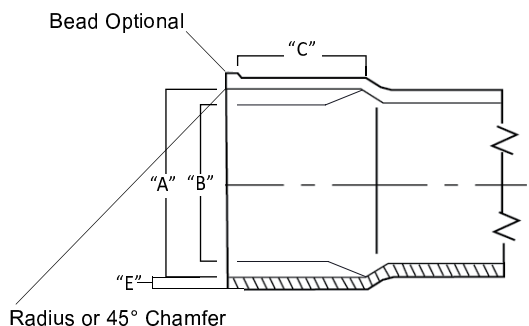


90° 1/4 BEND

STREET ELL LONG TURN

TECHNICAL INFORMATION



Fittings Socket Dimensions - Inches

Nominal Size	A	B	C
3"	3.271±0.008	3.245±0.008	1.50

Pipe Dimensions

Minimum Wall Thickness

Outside Diameter		SDR 35	
Nominal Size	Average	Tolerance on Average	E
3"	3.250	±0.008	0.100

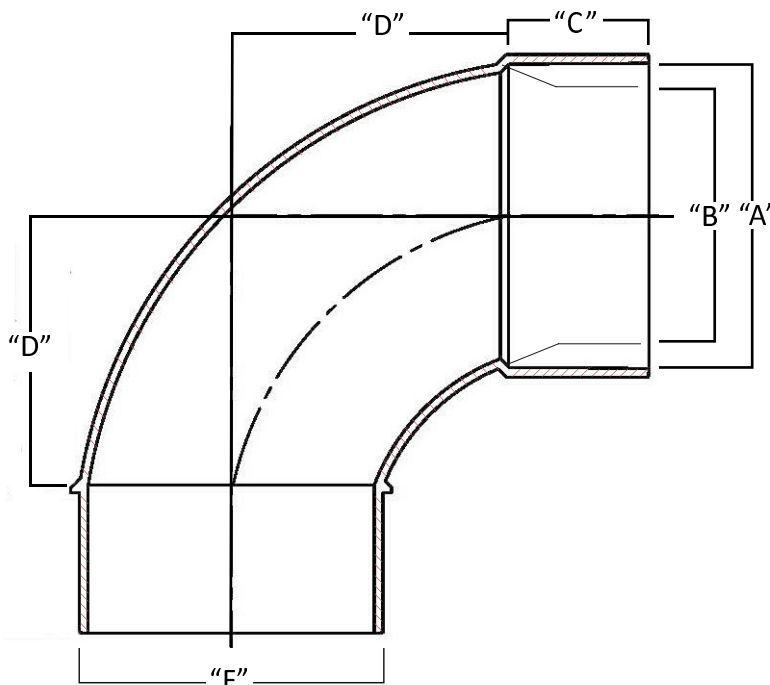
90° 1/4 Bend Street Ell Long Turn

Sewer Hub x Sewer Spigot

Part #	Size	Desc.	D	F
V-403	3"	HxSPG	2.875	



Normandy Products are proudly
made in the USA.



www.normandyproducts.com

T: 800.322.9463 | F: 800.910.0134

324 Delaware Avenue | PO Box 446 | Oakmont PA 15139