

HVAC, Inc.

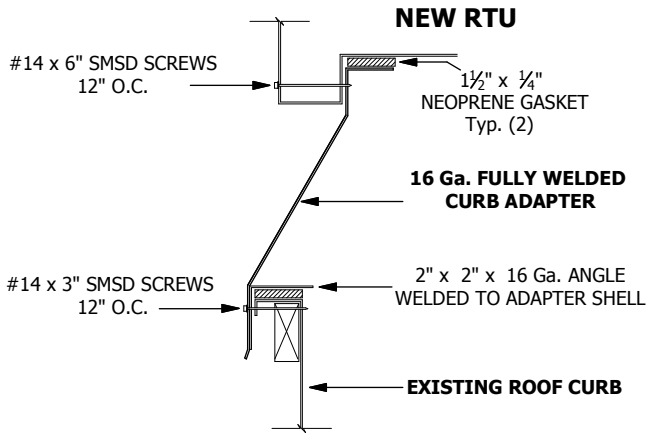
6227 147th Ave. N. Unit B, Clearwater, FL 33760

Ph: 727-532-HVAC Fx: 727-532-4848

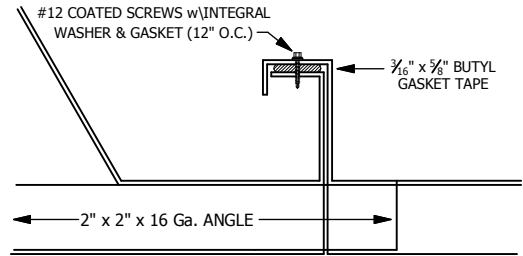
Email: hvaccurbs@gmail.com



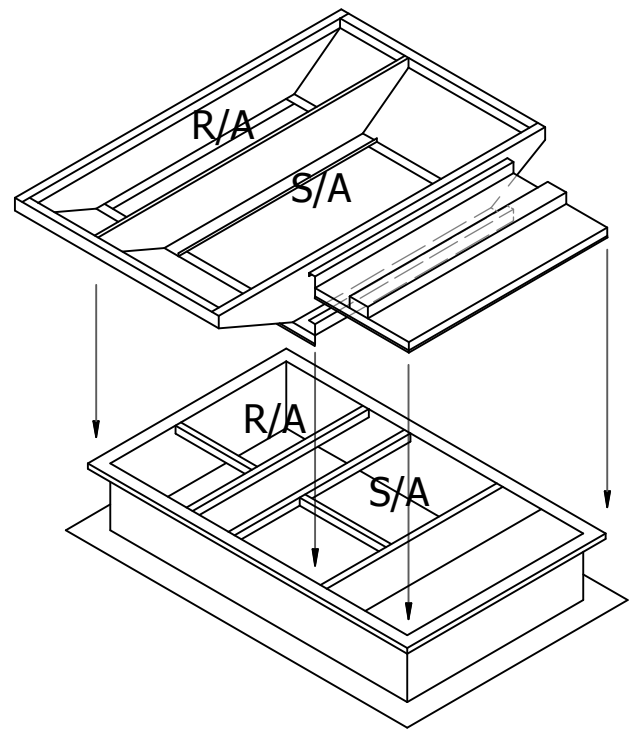
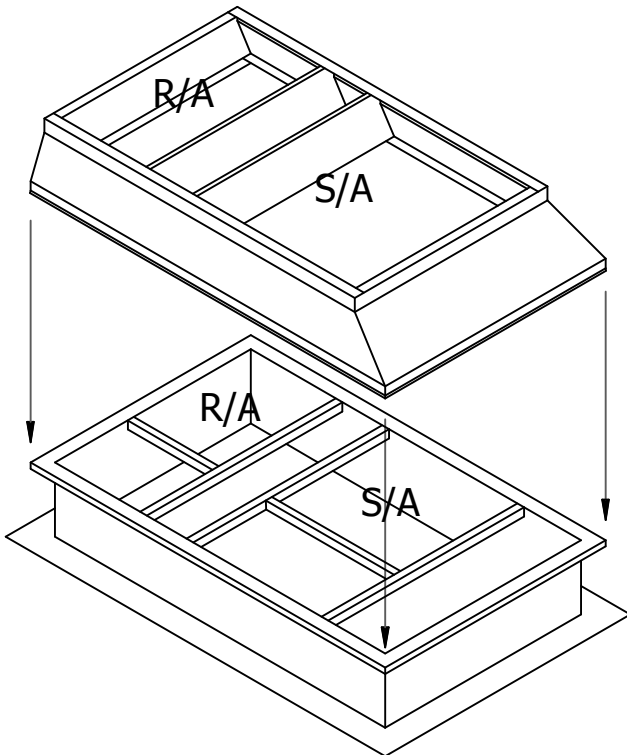
CURB ADAPTER INSTALLATION INSTRUCTIONS



SECTION VIEW/CURB ADAPTER AND RTU ATTACHMENT



SUPPORT PAN ATTACHMENT DETAIL (IF SUPPLIED)



INSTALLATION INSTRUCTIONS

1. DISCONNECT ALL ELECTRIC & GAS CONNECTIONS TO THE EXISTING RTU.
2. REMOVE EXISTING RTU.
3. REMOVE ALL OLD GASKET FROM EXISTING CURB
4. INSTALL NEW SUPPLIED GASKET TO EXISTING CURB.
5. SET NEW ADAPTER ON EXISTING CURB IN THE PROPER ORIENTATION
6. APPLY NEW SUPPLIED GASKET TO PERIMETER AND RAILS OF CURB ADAPTER.
7. SET NEW RTU ON CURB ADAPTER.
8. SECURE ADAPTER TO EXISTING CURB WITH #14 x 3" SMSD SCREWS NO MORE THAN 6" FROM CORNERS, 12" O.C.
9. SECURE NEW RTU TO ADAPTER WITH #14 x 6" SHEET METAL SELF DRILLING SCREWS 12" O.C.

SUPPORT PAN INSTALLATION INSTRUCTIONS (WHEN REQUIRED)

1. AFTER CURB ADAPTER IS IN PLACE, INSTALL GASKET ON TOP OF AND DOWN SIDES OF ADAPTER STANDING SEAM.
2. ATTACH PAN TO ADAPTER. SECURE PAN TO ADAPTER USING SUPPLIED 1" COATED/GASKETED SCREWS 12" O.C. (SEE DETAIL).
3. SECURE CAP TO EXISTING CURB w\ #14 x 3" SDSM SCREWS USING SIMILAR HOLE PATTERN (See Install Instructions Line 8)