

HENRY AMMONIA HAND VALVES

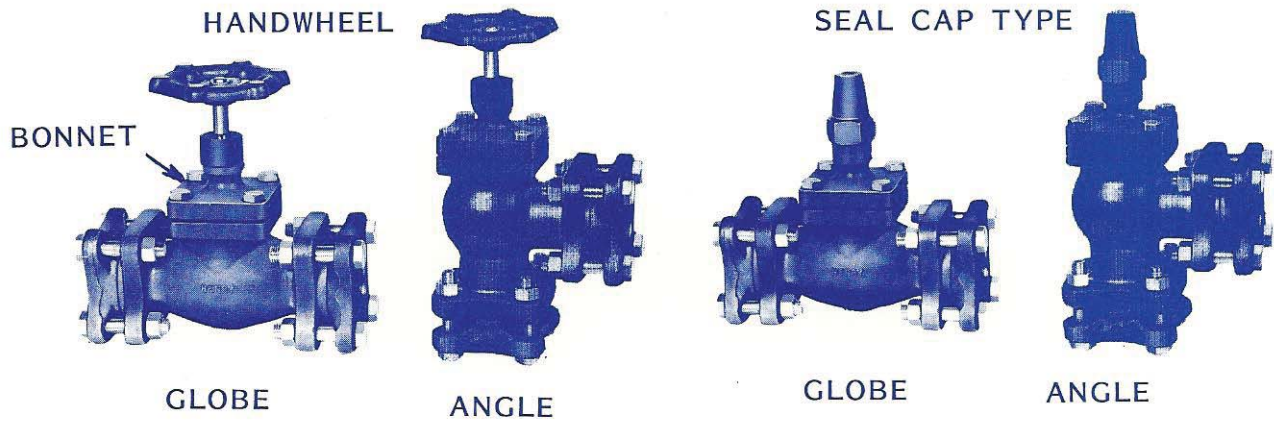
FLANGED DESIGN (1/2" THRU 4")

VALVE SIZES 1/2", 3/4", AND 1" ARE 2-BOLT (OVAL) FLANGED WITH SCREWED BONNETS.

(1" SIZE IS ALSO MADE WITH 4-BOLT (SQ) FLANGES)

SEAL CAP VALVES USE THE SAME BODY CASTING AS HANDWHEEL TYPES.

HAND EXPANSION VALVES USE SAME BODY CASTING AS SHUT-OFF TYPE. COLOR: BLACK WITH GREEN HANDWHEEL FOR SHUT-OFF. RED HANDWHEEL FOR HAND EXPANSION.



SHOWN WITH COMPANION FLANGES
 1/2"-1" ARE OVAL FLANGED W/SCR BONNETS (NOT SHOWN)
 (1" MAY ALSO BE SQ. FLANGED W/SCR BONNET)

SHOWN ABOVE 1-1/4" THRU 4" STYLE, SQUARE FLANGE, SQUARE BONNET.

HANDWHEEL CATALOGUE #'S
 BASIC VALVE (W/O FLANGES)

SIZE GLOBE ANGLE

SIZE		GLOBE	ANGLE
1/2"	OVAL 2 BOLT		
3/4"		146A	246A
1"		147A	247A
1"	SQUARE 4 BOLT	150A	250A
1 1/4"		151B	251B
1 1/2"			
2"		153B	253B
2 1/2"		154B	254B
3"		155B	255B
4"		157B	257B

SEAL CAP CATALOGUE #'S
 BASIC VALVE (W/O FLANGES)

SIZE GLOBE ANGLE

SIZE		GLOBE	ANGLE
1"	SQUARE 4 BOLT	C150A	C250A
1 1/4"		C151B	C251B
1 1/2"			
2"		C153B	C253B
2 1/2"		C154B	C254B
3"		C155B	C255B
4"		C157B	C257B

FOR FPT (SCR) FLANGES PT IS ADDED TO CATALOGUE NUMBER.

FOR WELD NECK FLANGES WN IS ADDED TO CATALOGUE NUMBER.

FOR SOCKET WELD FLANGES SW IS ADDED TO CATALOGUE NUMBER.

PLEASE NOTE: HENRY USES A 2" FLANGED VALVE FOR 1-1/2" SIZE.