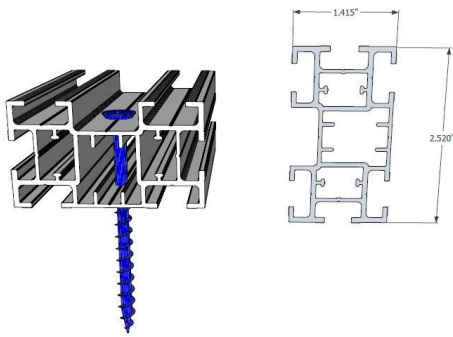


TS44 - Some Realizations



TS44 - Ideal for large and very large banners, the wide channel allows using very long screws to penetrate deep in walls, structures, etc...



Montreal Children Hospital
Two [17'W x 41'H] TS44 frames at the entrance of the hospital.



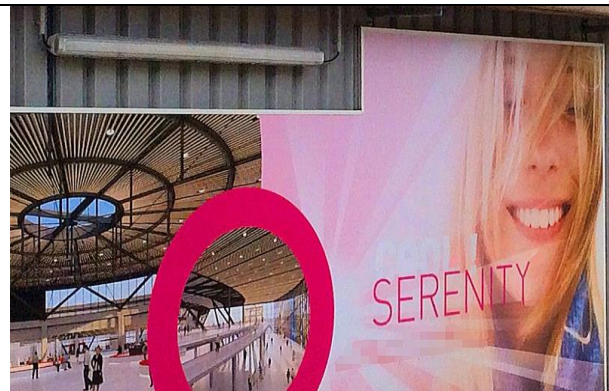
10' x 10' Billboard - Graphic Fixed on The Side



7'H x 18'W and 14'H x 10'W -Graphic printed on Outdoor Polyester, a great solution to continue installing banners during winter time.



TS44 frame installed on the corrugated wall of an Industrial building



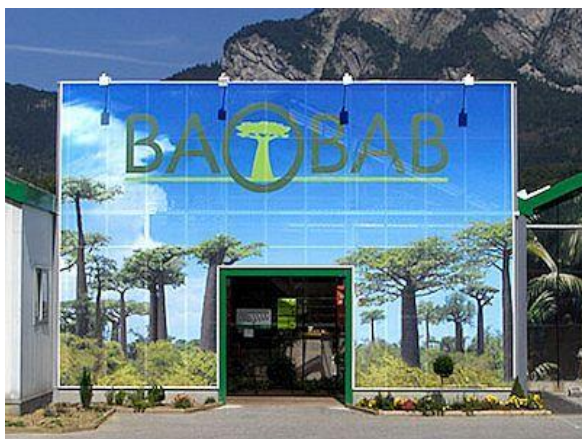
Non-Rectangular Frame with same great drum-like stretch.



This 30'W x 50'H frame is installed on a parking close to a children hospital in Montreal.



CBU Tower – Two 32'H X 11'W TS44 Frames



TS44 - StoreFront- Non-rectangular frame with a perfectly stretched Mesh Vinyl banner.



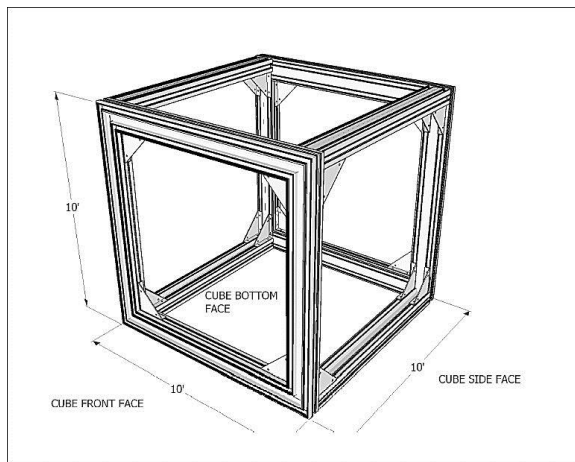
Industrial building entirely covered with a stretched banner.



Monument fabricated with the TS44, and covered with mesh vinyl.



10' x 10' cube structure, covered with a printed vinyl.



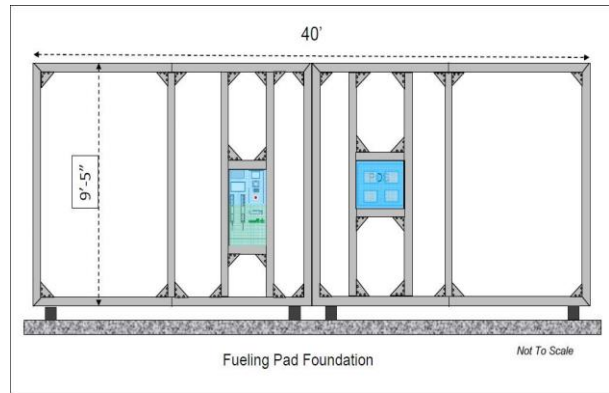
3D rendering of the cube project



Jacksonville Jaguars 95.75'H x 40'W frame with printed vinyl, installed on the outside wall of the stadium.



Vinyl banner installed on a 40'W x 9.5'H rigid frame (See on the right) with two windows. This project is the façade on a hydrogen pump.



2D drawing done for facilitating the installers work.



TS44 extrusions installed on a downtown building. Next step will be to stretch the graphic.



A different view of this non-rectangular frame.