



EXTRUDED ALUMINUM LOUVER



MODEL: 2-SRF

STORM RESISTANT FLANGED FRAME LOUVER

Miami Dade County Approved-NOA No. 14-1117.06

APPLICATION

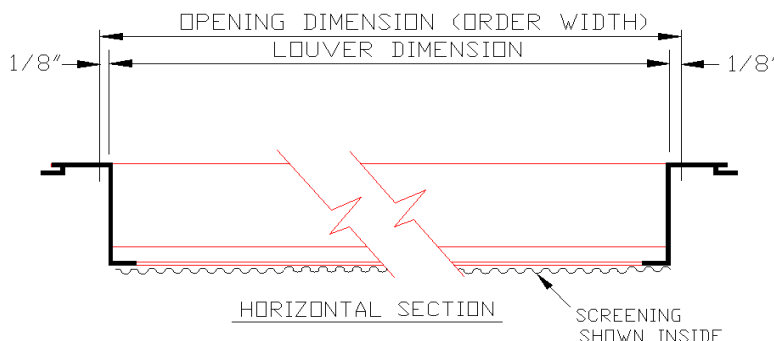
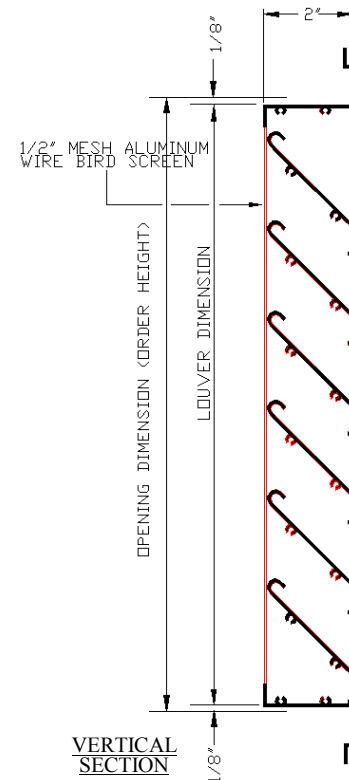
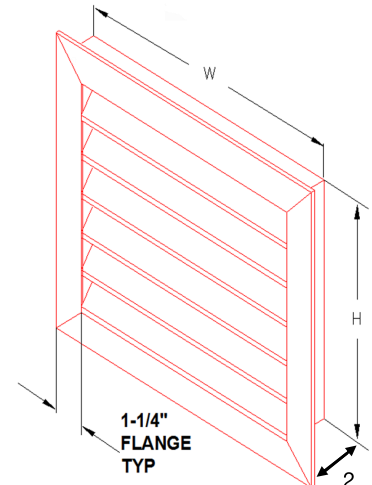
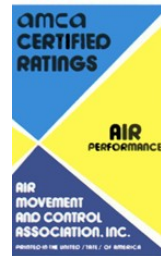
The 2-SRF Stationary Louver with Flange Frame is a 2" deep louver for the protection of high air intake velocities and exhaust in building exterior walls. The 2-SRF is a capable louver with AMCA STD 500 Performance Data allowing designers to select.

SPECIFICATIONS

- Frame:** 0.062 thick extruded aluminum
6063-T5 mill finish
- Blade:** 0.062 thick extruded aluminum
6063-T5 mill finish
- Blade Spacing:** Approximately 2-1/2" center to center
(except at head and sills)
- Fasteners:** # 6 x 3/4" tek screws
- Blade Angle:** 45°
- Screen:** Bird screen
1/2" x 1/2" galvanized steel
- Flange:** 1-1/4"

OPTIONS

- Insect Screen 1/16" x 1/16" Aluminum
- Bird Screen 1/2" x 1/2" Aluminum
- Stainless Steel Frame, Steel Frame, Copper Frame
- Finish: Clear Anodized
Color Anodized
Powder Coat Paint
Baked Enamel Paint

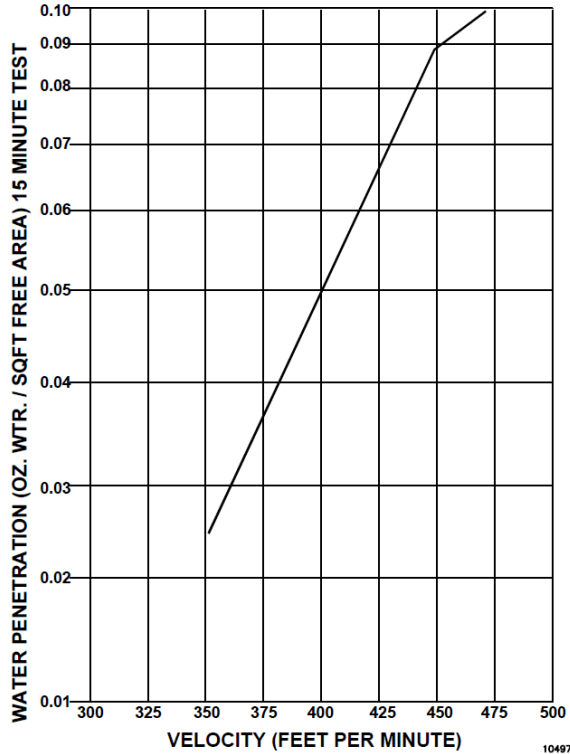




EXTRUDED ALUMINUM LOUVER

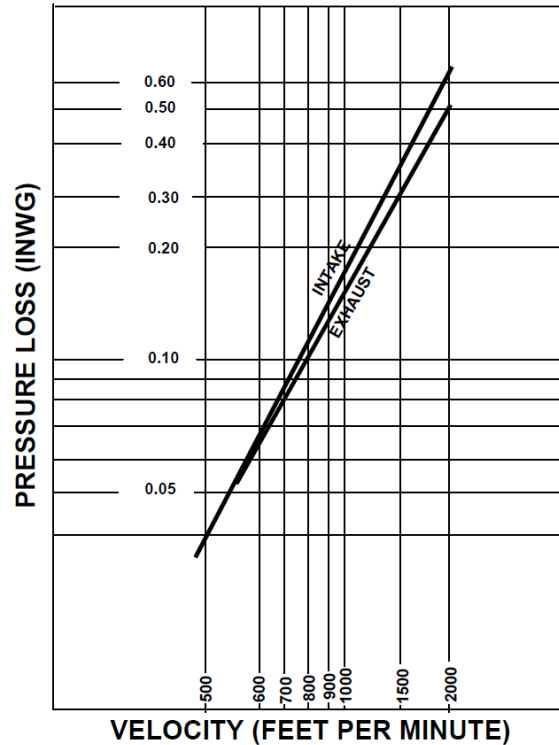
Test on a 48"x48' size louver

WATER PENETRATION TEST



MODEL: 2-SRF

AIR RESISTANCE TEST



The beginning point of water penetration is 1059 FPM @ 0.01 OZ/SQ.FT. of free area.

Performance testing in accordance with AMCA STD 500

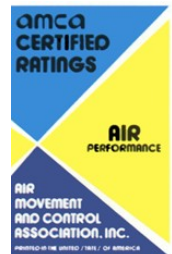
Louver size determination

cfm /	fpm =	ft ²
air flow volume	free area velocity @ beginning point of water penetration	Required Louver Free Area

Select louver size from Free Area Chart below,
based on required louver free area above
Determine pressure drop from Pressure Drop Chart
based on required louver free area above

**FREE AREA IN SQ. FT.
WIDTH**

HEIGHT	12"	18"	24"	30"	36"	42"	48"	54"
	12"	0.29	0.57	0.77	0.95	1.10	1.29	1.45
24"	0.66	1.22	1.68	2.14	2.60	3.06	3.52	3.98
30"	0.87	1.58	2.17	2.75	3.35	3.94	4.53	5.12
36"	1.11	1.93	2.65	3.37	4.09	4.82	5.54	6.26
42"	1.30	2.28	3.13	3.98	4.84	5.69	6.55	7.40
48"	1.45	2.74	3.77	4.80	5.83	6.85	7.89	8.91
54"	1.69	3.09	4.25	5.41	6.57	7.73	8.90	10.05
60"	1.82	3.49	4.80	6.10	7.41	8.72	10.03	11.34
66"	2.08	3.84	5.28	6.72	8.16	9.60	11.04	12.48
72"	2.31	4.19	5.76	7.33	8.91	10.48	12.05	13.62
78"	2.39	4.54	6.24	7.95	9.65	11.35	13.05	14.76
84"	2.63	4.89	6.73	8.58	10.40	12.23	14.07	15.90
90"	2.70	5.40	7.43	9.45	11.48	13.50	15.53	17.55





EXTRUDED ALUMINUM LOUVER

MODEL: 2-SRF

STORM RESISTANT CHANNEL

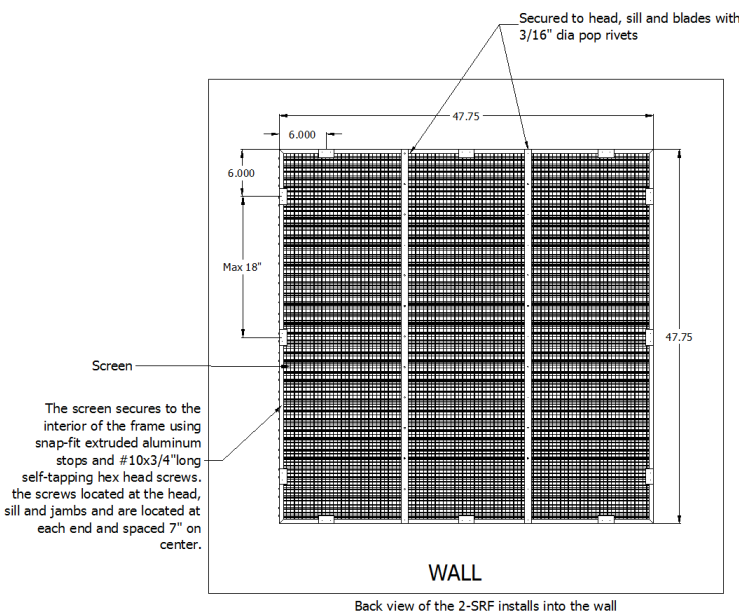
FRAME LOUVER

Miami Dade County Approved-NOA No. 14-1117.06

INSTALLATION INSTRUCTION

APPLICATION

The 2-SRF Louver with Flange Frame is a Miami-Dade Qualified and Florida Product Approved. It must be installed in accordance with the installation instruction shown below. 2-SRF is structurally calculated to withstand positive and negative wind-loads up to ± 75 PSF.



FASTENER QUANTITIES

MAX INSIDE DIMENSION L x W	NO. FASTENERS - SUBSTRATE TYPE		
	WOOD	CONC.	STEEL
18"x18"	8	8	8
24"x24"	8	8	8
30"x30"	12	12	12
36"x36"	12	12	12
42"x42"	12	12	12
48"x48"	12	12	12

FASTENER SPACING: 6" FROM CORNERS
MAX 18" O.C.

