

Super Complete with Table

U. S. Suggested Retail Price List
Jan-18

Phone: 260-665-2769
Fax: 260-665-3047
Email: iim@mobility-usa.com
www.mobility-usa.com

Quote: _____

P.O. _____

Bill To

Dealer: _____ Contact: _____

Address: _____

City: _____ State: _____ Zip: _____

Phone: _____ Fax: _____

Email: _____ Mark For: _____

Ship To

Same as Bill To _____

Dealer: _____ Contact: _____

Address: _____

City: _____ State: _____ Zip: _____

Phone: _____ Fax: _____

Email: _____ Mark For: _____

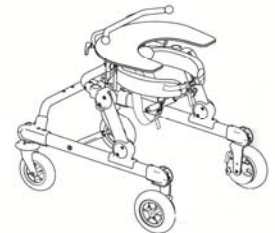
Grillo Features and Specifications Grillo Mini 0

- **Quick Adjustment** - Grillo adjusts easily and tool-free for user growth, transportation, or multiple patient use.
- **Easy Transport** - In just one motion, Grillo folds into a small compact unit easy to transport. No tools required.
- **Exclusively-Designed Wheels** - Grillo wheels come standard with anti-rollback, independently adjustable tension drag, and brakes. The wheels are suitable for indoor and outdoor use.
- **Chest & Pelvic Supports** - Padded and adjustable in angle, height, inclination, and circumference. The chest and pelvic supports work independently.
- **Ergonomic Harness** - The harness supports the user if necessary without generating pressure and is breathable, adjustable, and removable.
- **Measurement Bars** - allow for quick, easy, and accurate adjustment.
- **Grillo** - has the widest range of height adjustment on the market.



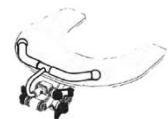
Super Complete Options - Grillo Mini 0

Part Number	Description	Price
Anterior SC - includes frame, pelvic support, ergonomic harness, table, handle, directional locks		
_____ GRA-OSC	Super Complete Grillo Mini 0	\$3,525.00



Handle Bars only one can be used at a time select one

Part Number	Description	Price
_____ GR936-0	Handle Bar	N/C
_____ GR937-0	Handles	\$135.00



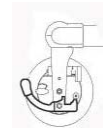
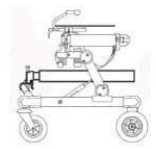
Client:

PO:

GRILLO TABLE

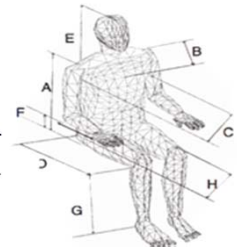
Accessories

Part Number	Description	Price
_____ GR890-0	Padded Leg Divider	\$350.00
_____ GR929-0	Pedal Parking Brake	\$275.00
_____ GR923	Assistant Push Handle	\$290.00



Client Measurements

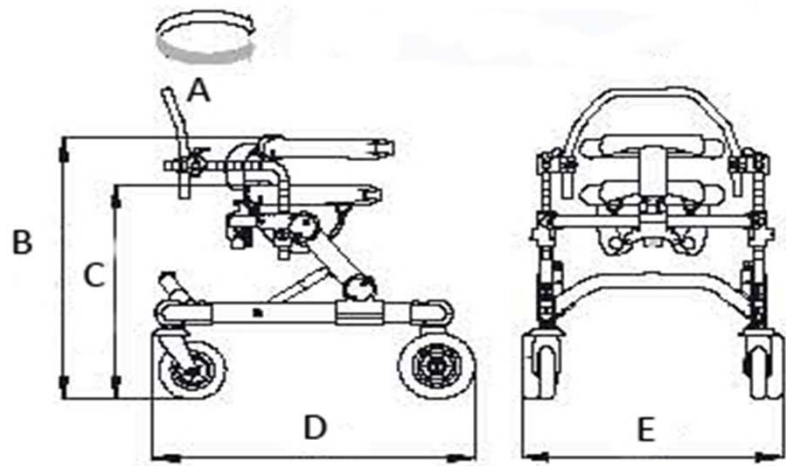
A Back height: _____ F Lower leg length: _____
 B Chest depth: _____ G Head height: _____
 C Chest width: _____ H Arm height: _____
 D Seat depth: _____ Age: _____
 E Seat width: _____ Weight: _____



Dimensions

Measurements in Inches

Grillo	Mini
Max Capacity	77 lbs
User Height	29 - 39
Unit Weight	28 lbs
A	21 - 31
B	20 - 29.5
C	16.5 - 24
D	29
E	22.5



Note: All specification and prices are subject to change without notice. Prices listed are only valid if ordering with a gait trainer. The HCPCS codes provided are not intended to be billing or legal advice, rather Innovation In Motion's interpretation of the code definitions. Use of the codes provided does not ensure coverage or payment for the item. For coverage information, verify the policy of the appropriate payer. It is recommended to contact Innovation In Motion with any questions regarding proper ordering of the chair at 1-260-665-2769.