

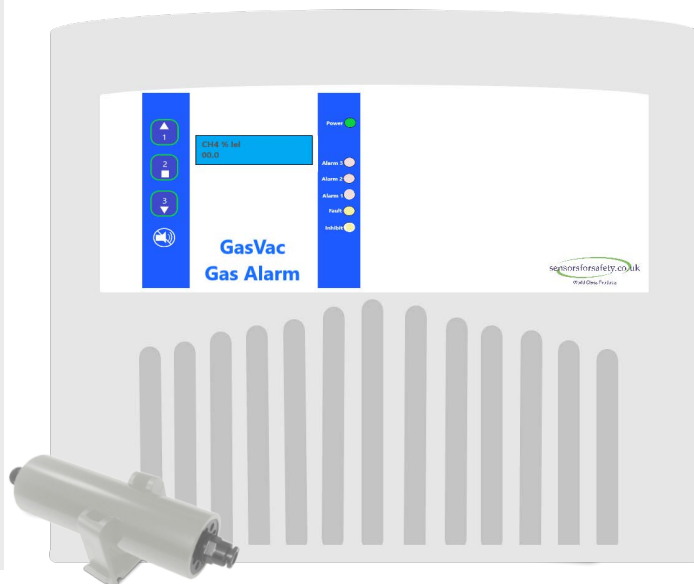
S4S GASVAC

Single Line Network Gas Sample Unit

Specification Sheet
ref S4S1729

System Features:

- Continuous multipoint monitoring
- No valves – no cycle time delays
- Flammable, oxygen, toxic and refrigerant gases
- Easily installed and maintained
- 3 alarm levels & relays
- 4~20mA analogue output
- Data logging
- Line blockage and pump fail monitor
- Delay to alarm option



The S4S GasVac system is designed to monitor gas levels in situations where the positioning of conventional gas sensors may not be practical. This may be due to equipment security, cable routing, access for detector head installation/maintenance, harsh environment or a cost effective means of monitoring plant rooms, supermarkets, cool stores and designated hazardous areas, such as - tunnels, marine applications, underground/high level voids.

Operation

A gas sample is continuously extracted via a unique micropore sample technique having any number of intake modules along its sample line network (see data sheet S4S1593). The sampling unit provides a gas level reading with three alarm trip points, and a range of signal outputs for annunciator or control functions.

A wide range of sensors can be fitted to suit customer requirements which include infra red, electrochemical, catalytic and other specialist sensors.

The system is supplied factory programmed and pre-calibrated to enable immediate operation by connection of a power supply and attachment of the sample line and its intake module network.

Measuring Range

Combustible Gas - LEL, % Vol, ppm Toxic /
Refrigerant Gases - ppm
Oxygen - % vol - Depletion or Enrichment
Any 4~20mA source input signal

Indicators

Two line alpha numeric back lit display
Power - Green LED.
Alarms 1, 2, 3 - Red LEDs
Fault - Amber LED
Alarms inhibit - Amber LED

Audible Alarm

1, 2, 3 and Fault Alarms - mutable
85dB @ 10cm

Power Supply

230/115v AC 50/60 Hz
24v nominal 15 to 30vDC
The two voltages may be utilised simultaneously -
standby supply

Intake Module

All weather – Design Reg 6009030
Orientation – any
Size – 100mm L x 32mm D

NOTE: This datasheet is non-contractual

www.sensorsforsafety.co.uk

E: sales@sensorsforsafety.co.uk T: 01423 206360 F: 01423 206370

Sensors for Safety Ltd | Knaresborough Tech Park | Manse Lane | Knaresborough | N.Yorks | HG5 8LF | UK

Outputs

1, 2, 3 and fault alarm relays – SPCO normally de-energised - energised option, latched or unlatched

All contacts rated 3A - 230v AC

Analogue 4-20mA

CANbus S4S Guardian® - Plus system

Logging Intervals - variable time
Roll over/stop
Storage –2,880 readings

Requires RS232 lead
PC or laptop
Hyperterminal - *downloaded from S4S website*

Flow Monitor

Alarm relay – SPCO N/D - N/E option

Contacts 3A – 230vAC

5/12 volts selectable output PF/FF/PF+FF

Inhibit

Isolation of alarm relays during service

Protection

IP52

Cable Entry

Rear, side, top, bottom

Sample Tube

6mm OD 4mm ID

Max. length 100m

Exhaust port

6/8mm OD

Miscellaneous

Dimensions 315mm W | 265mm H | 95mm D

Weight 3.8kg

System function test

Accessories

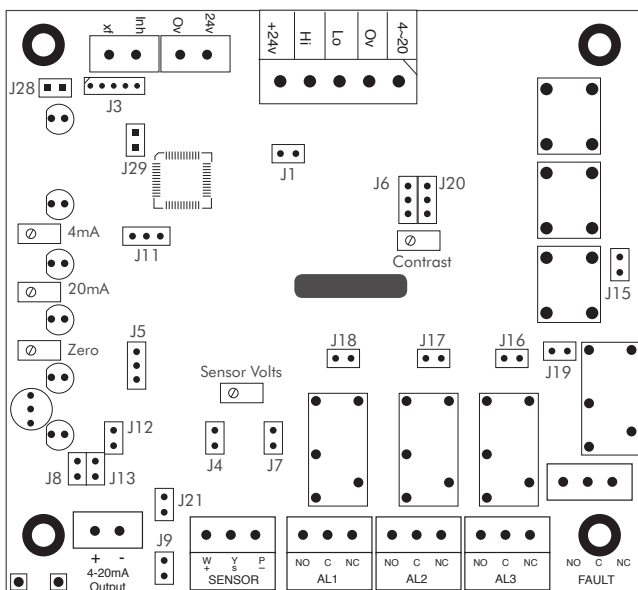
Weatherproof overhousing IP66

Sample line flame arrestor

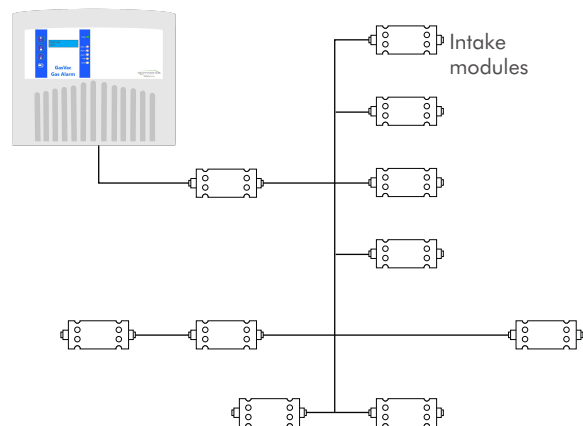
Snorkel valve water trap

Auto drain unit

Control Unit PCB



Typical System Network



NOTE: This datasheet is non-contractual

www.sensorsforsafety.co.uk

E: sales@sensorsforsafety.co.uk T: 01423 206360 F: 01423 206370

Sensors for Safety Ltd | Knaresborough Tech Park | Manse Lane | Knaresborough | N.Yorks | HG5 8LF | UK