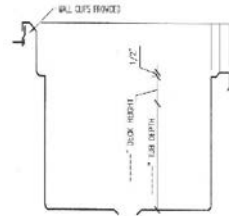
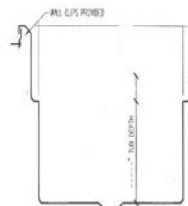
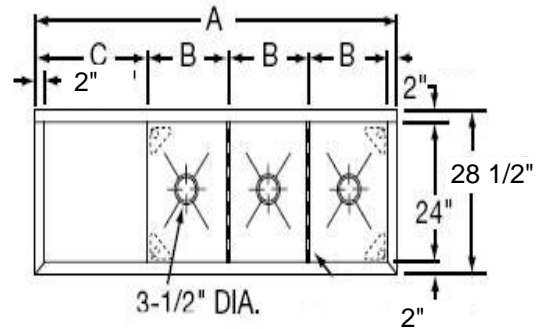


# WICKETTS STAINLESS SPECIFICATION

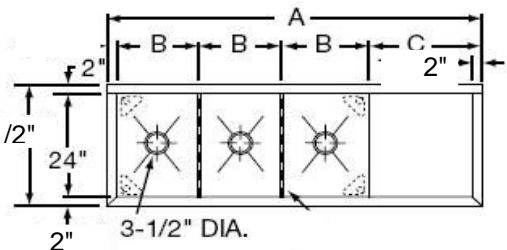
Commercial Sink Heavy Duty  
3 Compt. 1- Drain board



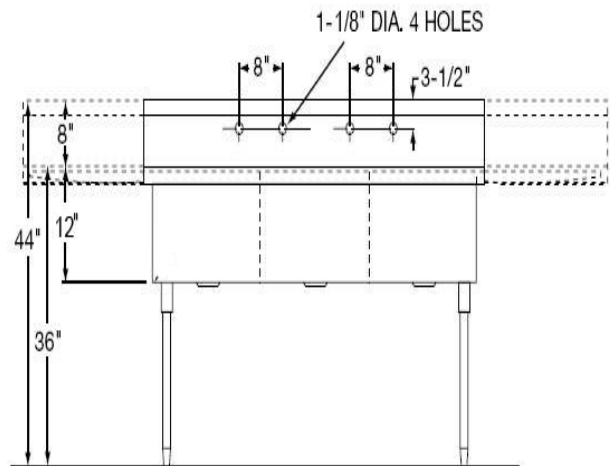
MARINE EDGE



ROLLED EDGE



Model Number	A	B	C
WCS 4318-L	75	18	18
WCS 4324-L	99	24	24
WCS 4330-L	117	30	24
WCS4336-L	135	36	24
WCS 4318-R	75	18	18
WCS 4324-R	99	24	24
WCS 4330-R	117	30	24
WCS 4336-R	135	36	24
WCS Custom			



## Engineering Specification:

14 gauge, type 304 stainless steel scullery sink. 12" deep construction. Full length 8" high backsplash with 45° sloped top. 1-1/2" wide sloping top channel rims. Exposed surfaces polished to a satin finish. Supported on (4) stainless steel, 1-5/8" O.D. tubular legs, Adjustable bullet feet.

**WICKETTS STAINLESS, LLC**  
2618 San Miguel Dr. Bldg. # 376  
Newport Beach, CA 92660  
Tel: 951-858-2548  
Fax: 951-638-9059  
www.wickettsstainless.com  
Sales@wickettsstainless.com



Approved for Manufacturing

Company: \_\_\_\_\_

Signature: \_\_\_\_\_