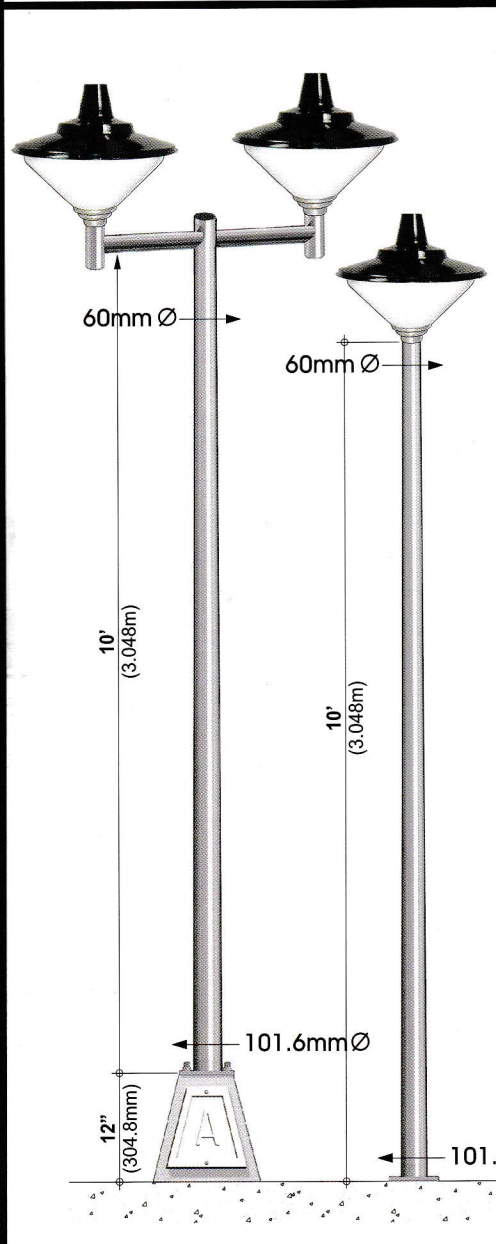
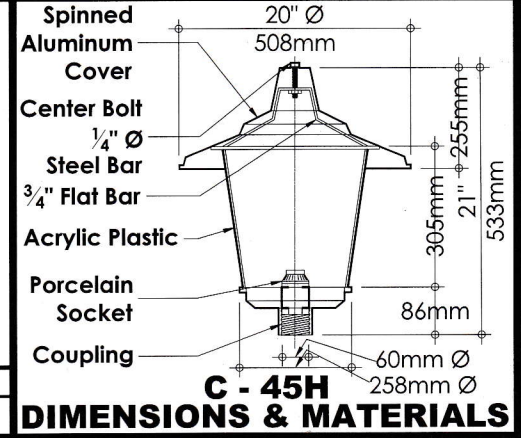
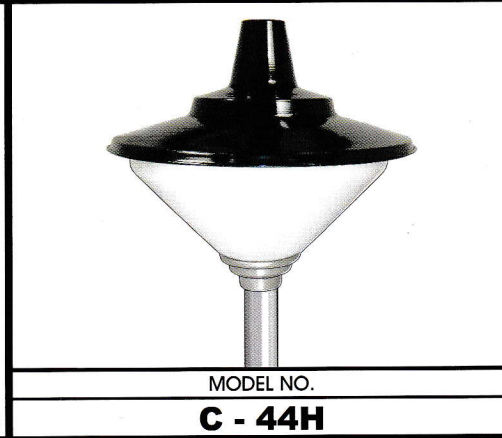
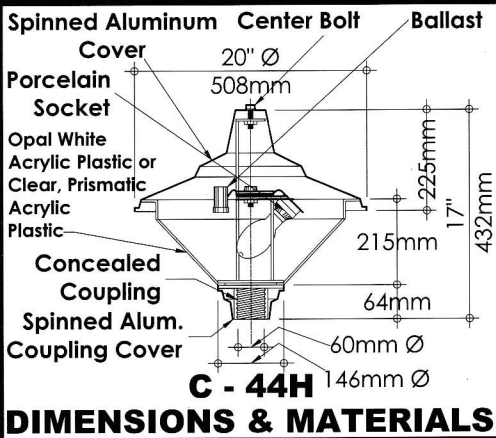
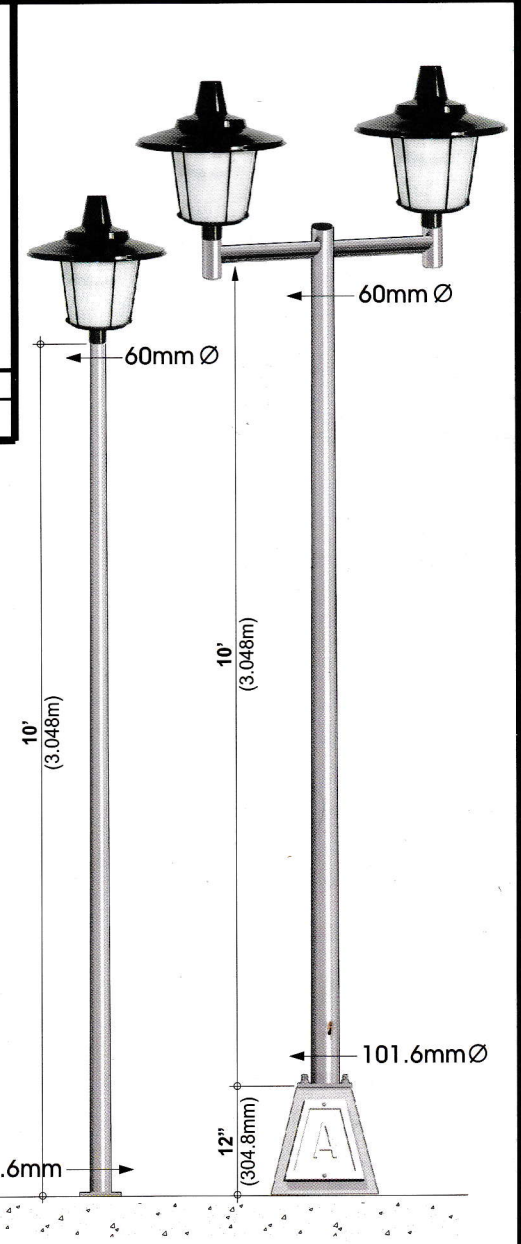


AMCO AMCRYLIC LAMP



POST: Zinc electro - galvanized steel lamp post and pedestal base coated with red oxide and enamel paint finish. Complete with anchor bolts, bolts, nuts and washers.

WATTAGE:
C - 44H
 125W to 250W (Ballast Type)
 160W to 250W (None-Ballast)
C - 45H
 50W to 125W (Ballast Type)
 160W to 250W (None-Ballast)



MODEL NO. C - 44HD - TP10	MODEL NO. C - 44HS - TP10	MODEL NO. C - 45HS - TP10	MODEL NO. C - 45HD - TP10
-------------------------------------	-------------------------------------	-------------------------------------	-------------------------------------