

LP-12 Datasheet

LP-12

LP12 Power/Signal	Product Series	LP-12								LP-12			
	Pin Number	2PIN	3PIN		4PIN	5PIN	6PIN	7PIN	8PIN	—	—		
	Contact Layout									—	—		
	Current Rating(A)	5	5	5	5	5	5	3	3	—	—		
	Voltage Rating(V)	125	125	125	125	125	125	100	100	—	—		
	Cable O.D(mm)	φ3.5~φ4.5		φ4.5~φ5.5	φ5.5~φ6.5	φ3.5~φ4.5		φ4.5~φ5.5	φ5.5~φ6.5	—	—		
	Wire Gauge	0.34-0.5mm ² /22-20AWG	0.34-0.5mm ² /22-20AWG	0.34-0.5mm ² /22-20AWG	0.34-0.5mm ² /22-20AWG	0.34-0.5mm ² /22-20AWG	0.34-0.5mm ² /22-20AWG	0.25-0.34mm ² /24-22AWG	0.25-0.34mm ² /24-22AWG	—	—		
	Protection Level	Connection Status IP68						Connection Status IP68				—	—
	Terminal Type	Soldering	Soldering	Screwing	Soldering	Soldering	Soldering	Soldering	Soldering	Soldering	—	—	
	Illustration	Material	Part No				Part No						
	Plastic	Male	LP-12-C02PE-02-001	LP-12-C03PE-02-001	LP-12-C03PE-22-003	LP-12-C04PE-02-001	LP-12-C05PE-02-001	LP-12-C06PE-02-001	LP-12-C07PE-02-001	LP-12-C08PE-02-001	—	—	
		Female	LP-12-J02PE-02-004	LP-12-J03PE-02-004	—	LP-12-J04PE-02-004	LP-12-J05PE-02-004	LP-12-J06PE-02-004	LP-12-J07PE-02-004	LP-12-J08PE-02-004	—	—	
		Male	LP-12-C02PP-02-003	LP-12-C03PP-02-003	—	LP-12-C04PP-02-003	LP-12-C05PP-02-003	LP-12-C06PP-02-003	LP-12-C07PP-02-003	LP-12-C08PP-02-003	—	—	
		Female	LP-12-J02PP-02-001	LP-12-J03PP-02-001	LP-12-J03PP-22-001	LP-12-J04PP-02-001	LP-12-J05PP-02-001	LP-12-J06PP-02-001	LP-12-J07PP-02-001	LP-12-J08PP-02-001	—	—	
		Male	LP-12-C02SX-02-104	LP-12-C03SX-02-104	—	LP-12-C04SX-02-104	LP-12-C05SX-02-104	LP-12-C06SX-02-104	LP-12-C07SX-02-104	LP-12-C08SX-02-104	—	—	
		Female	LP-12-J02SX-02-101	LP-12-J03SX-02-101	LP-12-J03SX-22-101	LP-12-J04SX-02-101	LP-12-J05SX-02-101	LP-12-J06SX-02-101	LP-12-J07SX-02-101	LP-12-J08SX-02-101	—	—	
		Male	LP-12-C02SX-02-404	LP-12-C03SX-02-404	—	LP-12-C04SX-02-404	LP-12-C05SX-02-404	LP-12-C06SX-02-404	LP-12-C07SX-02-404	LP-12-C08SX-02-404	—	—	
		Female	LP-12-J02SX-02-401	LP-12-J03SX-02-401	LP-12-J03SX-22-401	LP-12-J04SX-02-401	LP-12-J05SX-02-401	LP-12-J06SX-02-401	LP-12-J07SX-02-401	LP-12-J08SX-02-401	—	—	

LP-12 Datasheet

LP-12

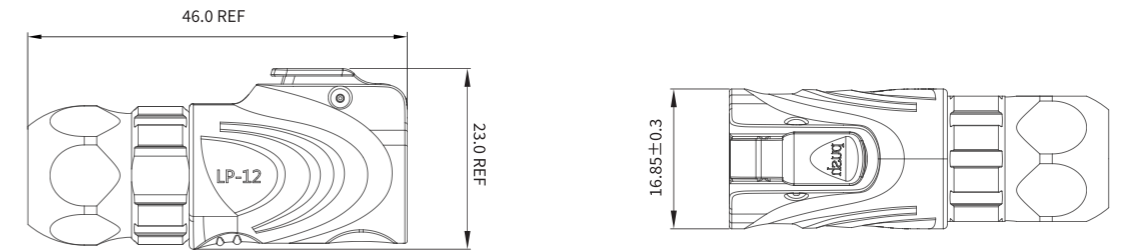
LP12 Power/Signal	Product Series	LP-12				LP-12					
	Pin Number	2PIN	3PIN		4PIN	5PIN	6PIN	7PIN	8PIN	—	
	Contact Layout	Male Female	Male Female	Male Female	Male Female	Male Female	Male Female	Male Female	Male Female	—	
	Current Rating(A)	5	5	5	5	5	5	3	3	—	
	Voltage Rating(V)	125	125	125	125	125	125	100	100	—	
	Cable O.D(mm)	φ3.5~φ4.5		φ4.5~φ5.5	φ5.5~φ6.5		φ3.5~φ4.5		φ4.5~φ5.5	φ5.5~φ6.5	—
	Wire Gauge	0.34-0.5mm ² /22-20AWG	0.34-0.5mm ² /22-20AWG	0.34-0.5mm ² /22-20AWG	0.34-0.5mm ² /22-20AWG	0.34-0.5mm ² /22-20AWG		0.34-0.5mm ² /22-20AWG	0.25-0.34mm ² /24-22AWG	0.25-0.34mm ² /24-22AWG	—
	Protection Level	Connection Status IP68					Connection Status IP68				—
	Terminal Type	Soldering	Soldering	Screwing	Soldering	Soldering		Soldering	Soldering	Soldering	—
Illustration	Material	Part No				Part No					
	Male	LP-12-C02PE-03-001	LP-12-C03PE-03-001	LP-12-C03PE-21-002	LP-12-C04PE-03-001	LP-12-C05PE-03-001	LP-12-C06PE-03-001	LP-12-C07PE-03-001	LP-12-C08PE-03-001	—	
	Female	—	—	—	—	—	—	—	—	—	
	Male	—	—	—	—	—	—	—	—	—	
	Female	LP-12-J02PP-01-001	LP-12-J03PP-01-001	LP-12-J03PP-21-002	LP-12-J04PP-01-001	LP-12-J05PP-01-001	LP-12-J06PP-01-001	LP-12-J07PP-01-001	LP-12-J08PP-01-001	—	
	Male	—	—	—	—	—	—	—	—	—	
	Female	LP-12-J02SX-03-101	LP-12-J03SX-03-101	LP-12-J03SX-23-101	LP-12-J04SX-03-101	LP-12-J05SX-03-101	LP-12-J06SX-03-101	LP-12-J07SX-03-101	LP-12-J08SX-03-101	—	
	Male	—	—	—	—	—	—	—	—	—	
	Female	LP-12-J02SX-03-401	LP-12-J03SX-03-401	LP-12-J03SX-23-401	LP-12-J04SX-03-401	LP-12-J05SX-03-401	LP-12-J06SX-03-401	LP-12-J07SX-03-401	LP-12-J08SX-03-401	—	

LP-12 Dimension Drawing (unit: mm)

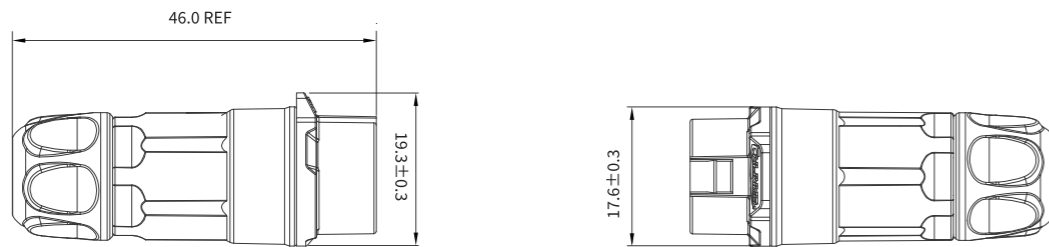
Plastic plug



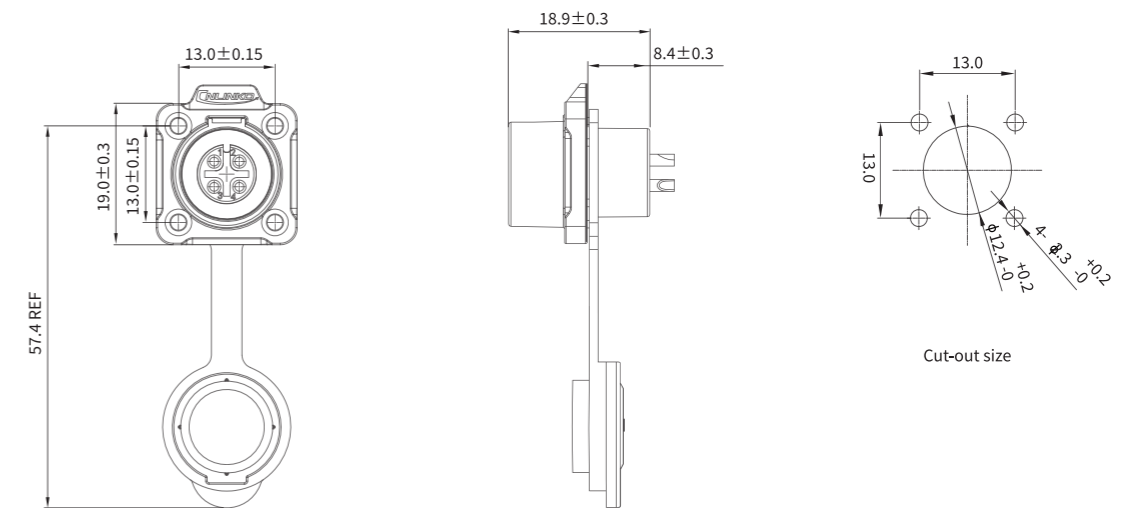
Metal plug



In-line receptacle



Four-hole flange receptacle



Single hole straight receptacle

