

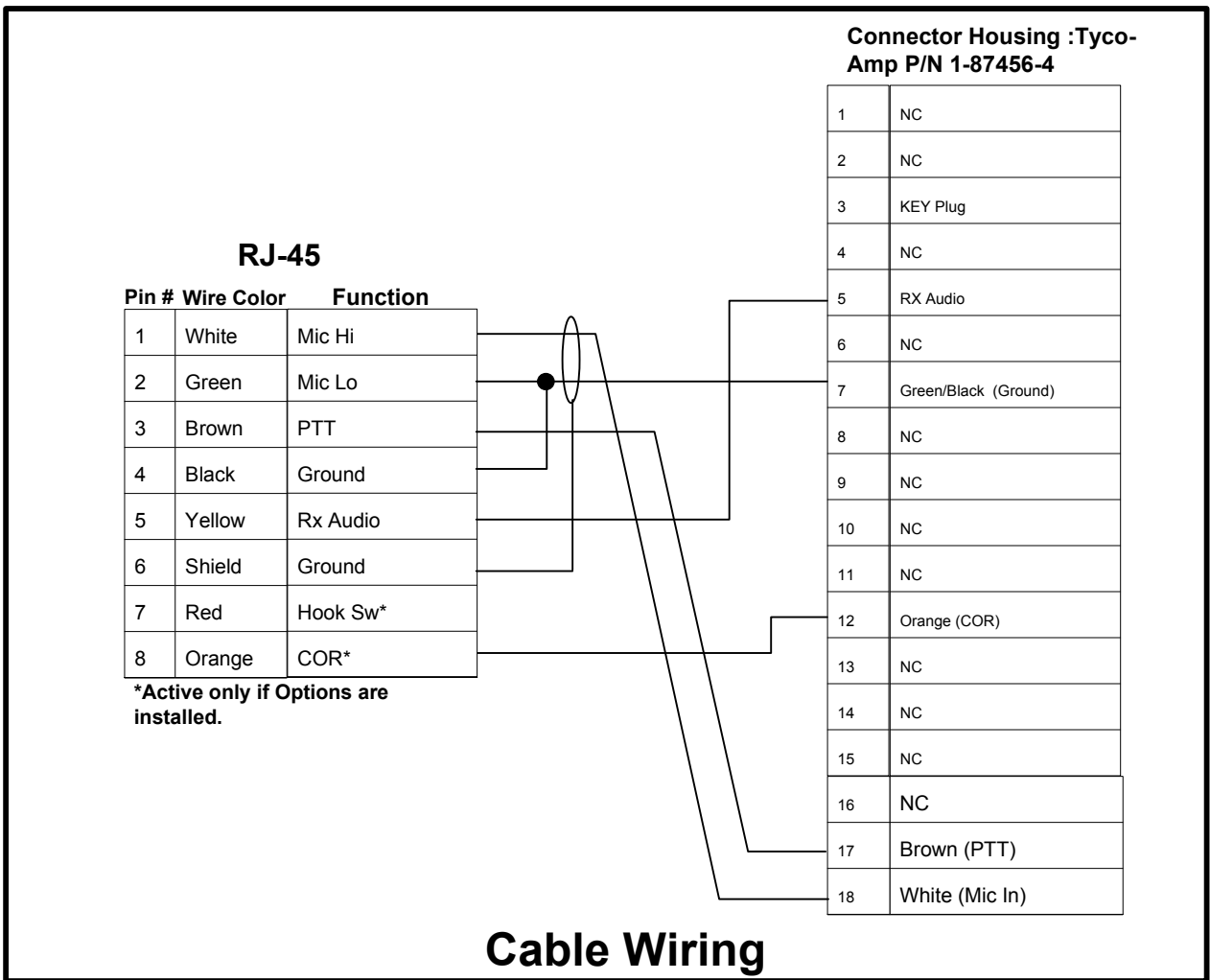
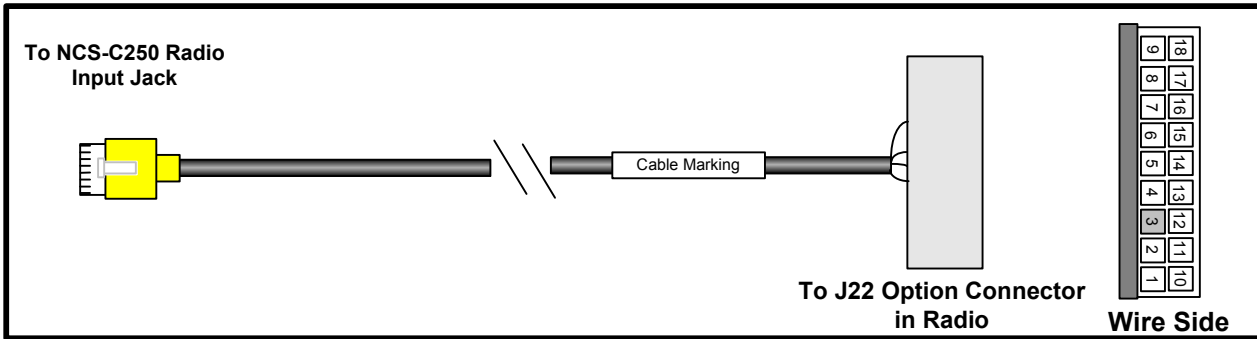
Radio Interface Cable

For NCS-C250 Mobile Multi-Switcher

NCS Model Number
NCS-250-MXA-XX

Compatible Radios:

Motorola MaraTrac



Radio Modifications:

1. To direct the COR signal to pin 12 of the Option Connector (J22), a jumper must be soldered between pins 11 & 13 of J21
2. Make sure that jumper JU1501 is in the "IN" position