

April 2024

www.nmra-scwd.org

Volume 55 No. 8

Super's Report

Art Dawson
Division Superintendent

Hello fellow modelers,

It was wonderful to meet some of our new members at the March meet! We have added several new members this season, including new members to the youth group as well. It's great to see that happening.

Keep working on your dioramas for the modeling project as the April meet as it is fast approaching, and we all want to see your efforts at making trees from natural materials.

Speaking of April, it's when we have our annual membership meeting and elect the Board of Directors for the coming year, and your participation in this meeting is greatly appreciated.

We are still looking for a Clinic Chairman. Please step up and volunteer for this important position. Previous chairs will be happy to help with suggestions until you get up to speed.

Our May meet is a joint one with the Rock River Valley Division at our normal meet location in Verona on May 5th, followed on May 10th by our annual spring banquet. Forms for the banquet and the summer picnic are in this Bad Order.

I look forward to seeing you at the next meet on April 7th.

Art Dawson, SCWD Superintendent
Model railroading is fun!

Next SCWD Meet
Verona Senior Center, Verona
April 7, 2024 at 1 PM

Next BOD Meeting:
April 9, 2024 at 7 PM
ZOOM Meeting



Next Youth Group
Verona Senior Center, Verona
April 13, 2024 1 PM



Clinic Column

Ken Hojnacki

I hope everyone enjoyed the two modeling clinics last month. Because Bob Welke was ill and could not present, Brian Sheron MMR gave a very informative clinic on working grade crossing signals. If you didn't memorize all his information, you can find his clinic on the SCWD website under the Clinics tab. And Ed Koehler helped us peek into some period backyards for ideas to complete our housing scenes. Thanks to both for great presentations.

Bob Welke will be here at our April meeting to present his clinic on operations on his Wisconsin & Upper Michigan Railroad. Bob uses car cards and waybills and the Car Location Identity Code (CLIC) system to indicate exactly where a car should be spotted. This will be one of the last opportunities to see the W&UM as a complete rebuild is scheduled for later this year.

Bob Frankrone, the Love Those Loads guy will be our second presenter. How to Add a Scene to a Layout in 15 Easy Steps: Unless you are one of the few model railroaders who have a finished railroad, there is a good chance you have some areas on your layout void of any scene or scenery. This clinic will demonstrate how easy it can be to create a nice looking scene, regardless of one's skill level. Watch as Bob converts a three-square-foot plywood prairie on his layout into a complete scene in 15 easy steps. A few simple tools, one easy-to-build plastic kit, and some readily available scenery materials are all he used to create the scene. Whether you are a beginner or a Master Model Railroader, you will enjoy seeing a plywood prairie morph into a complete scene.

As Art Dawson reminds us at our meetings, I am retiring from my Clinic Chair position after the May meeting and the Division will need someone to start planning for next season's programs. I can provide information on some of the contacts I have made to help get you started. Let Art know if you can help.

Ken

Youth Group

Steve Preston, Chair



First of all, I would like to welcome newcomers Ashton Peterson and Parker Davies to our program. Our meeting started off with Bill Mitchell making an introductory welcome and low down on what we do for our new people. We gave them wire crimpers/cutters and some modeling kits for their dioramas.

This month Phil Hottmann gave a presentation on how to apply static grass. He showed the kids how to layer different types of grass to make a realistic looking patch of land. Phil had several boxes of different types of grass and sizes to show how to apply on a surface and make it stick. Each kid got a chance to apply what they wanted in grass combinations and color. There were some very realistic looking fields of grass when they were through. Thank you Phil for your clinic.



There was also 2 special guest stars at our clinic, both new members and newcomers Kevin Fisher and Karl Hauth who came to see what we do, Thanks for showing up, I hope you two will be regular attendees and part of our youth group program.



Thanks to Phil Hottmann, Bill Mitchell, and Chris Bradley

Steve Preston
Youth Group Chair and
SCWD Membership Chair

Rail Show Volunteers



The 2024 MadCity Rail Show is in the books, and once again we had a successful show. There are a number of factors that come together to make a show like ours a success, and one of the most important is the work of our volunteers. We depend on volunteers for ALL the functions of our show which includes selling tickets, the information booth, checking tickets and greeting people coming to the show, and helping customers in the company store. All together we had over 60 volunteers spanning seven decades in age. Truly a show for all ages. Most of our volunteers are members of the SCWD but we had nearly a dozen friends filling in as well.

Many of our visitors and show vendors have commented about how much they like our show. They are apparently telling others, too, because Bob McGeever has told us there are vendors who have not been here before asking about tables for future shows. They have heard good things about our show and want to be a part of it. I believe people have a good time at our show because WE have a good time at our show, and it shows. No pun intended.

This is a shout-out THANK YOU to all of you who volunteered to make our show a success! And it really was a success!

Dave Down
Rail Show Volunteer Chairman

Modeling Project

Mike Vivion

If you signed up for this year's modeling project, I hope you have your mini-diorama finished or almost finished when you read this article. Dealing for completion is April 6th as you have to bring it to our April 7th Division meeting for popular vote judging. I look forward to seeing at the results of all your efforts. Also, if anyone has ideas for next year's project, please tell me at this meeting.



See you April 7th.

Mike Vivion
Modeling Project Chair

Contest Column

Dave Down, Chair

We will not have a popular vote contest in April. Instead we will see the results of the model project efforts. The next contest will be in May when the theme is Cabooses. The May contest will be the last of the 2023-24 season. Hopefully everyone will have an entry to bring up the end of our contest season.

The March theme was **Retired / Repurposed**. Railroads spend lots of money on new equipment, both engines and rolling stock, for their core business operations, which means there is old equipment being replaced. Some property is retired due to age or to save money. Other property is repurposed to make use of it in a different manner. Here are the contest results from the March contest.

March 3 Popular Vote Contest Results — Electric / Traction

Models

Cat A - Engines

1st Dave Casey: CNW camelback engine



2nd Don Swinton: Old diesel

Cat B - Rolling Stock

1st Dave Casey: W&ARR stock car



2nd Don Swinton: DB&S box car

3rd Bob Stone: Box car

Cat C - Buildings

1st Phil Hottmann: Box car storage shed



2nd Don Swinton: Shed

3rd Bob Stone: Shed

Cat D - Vehicles

1st Don Swinton: Old limo

2nd Dave Casey: Ford model T



Photos - Prototype

Cat PA - Engines

1st Steve Preston: Museum steam engine at IRM

Cat. PC - Buildings

1st Jason Martin: Kruegers Toy and Train Museum

Dave



Annual Election of the SCWD Board of Directors

April 7, 2024

Candidates in Alphabetical Order

Chris Bradley

I have been interested in model railroading for almost 40 years, since I was 10 years old. My father had just purchased a new AHM Locomotive (C&NW SD40) from our local Woolworth. That prompted him to bring out a train set that he got a couple years earlier. It was Tyco's "Steel Hauler" set. I received my own Life-Like train set the following Christmas. Yes, I think I still have most of these pieces in my collection. My father, brother and I were pretty happy just setting up and taking down various ovals on the floor for a couple of years. A trip to our local train show introduced us to the world of model railroading and layouts. From there we started visiting our local hobby shop "The Owl's Roost". In the basement was the local Club's modular layout that had become permanent. That led us to joining the Kankakee Model Railroad Club. This allowed us use of the layout on Saturday mornings.



My first layout was just a 4x6 sheet of plywood with a grass mat on it. I have had and been part of various layouts and modules over that time period. I have also contributed to many fellow model railroader's layouts along the way. I am in the finishing stages of the room that will house what I think will be my 7th layout.

I enjoy being a member of the SCWD and being a part of the meetings. I have been an active official member of the NMRA for the last 3 years. Previously, I had attended SCWD meetings sporadically over the last 17 years prior to that. I have also been a participating parent member and presenter of the Youth Group for the last 10 years. Other model railroading club experience includes being part of the Kankakee Model Railroad Club for about ten years in the 1990's, until other more grown up things became center focus for a few years. I got back into the hobby in 2002, the year after my wife and I bought our first home. This last year I was asked to be a part of the SCWD Board of Directors. I am looking forward to continuing in the role as a Board Member should you choose to keep me on the Board.

Thank you

Art Dawson

Like many others I had an HO train loop on a sheet of plywood when I was young, and mine had a slot car track in the middle of it too! As a child, my family road the Empire Builder out to Seattle (dome cars and all) with my two brothers and I dressed in red polo shirts. All mom had to do was ask any car attendant were we were, and they knew.



After forays into model airplanes, rockets and cars, then school, girls, and work followed by family took up all my time until my son was old enough to show some interest. By then I had learned that my grandfather and great-grand father worked on the section gang for the Nickle Plate in central Illinois. I've been hooked on that prototype ever since. As my son got old enough, we joined the SCWD youth group and participated in the show for a couple of years and attended meetings. When Hank Brown decided he was burnt out as Show Chairman, I asked what was involved one meeting, and if you knew Hank, he talked me into taking over as chairman. The rest was history as I had that role for 20 years.

Being back in the area for a few years now, and working the show office for the last two years, I decided it was time for the next step and agreed to run for the SCWD Board last year. I got elected, and have been honored to serve as your Superintendent. I will do my best to support the division going forward if re-elected.

Candidates continued next page

Dave Dingman

Interest in model and prototype railroading survived many challenging tests during the time following childhood/teenage fascination as college, multiple moves and work all limited participation to reading Model Railroader magazine, sporadic railfanning and going to model railroad shows. Repeated visits to the Mad City Model Railroad Show helped re-ignite my passion for model railroading.



I joined the SCWD and NMRA in 2016 to expand my knowledge of model railroading. Since becoming a member of the SCWD, I have become the AV Chair and have also been the Ticket Master for the Mad City Model Railroad Show for the last four shows. It has been my honor to have served on the SCWD Board of Directors (BOD) for the last four years. I would like to continue serving on the SCWD BOD for the coming year.

Dave Down

Hello SCWD members. My name is Dave Down and I am running for re-election to our Division's Board of Directors. I have been interested in model railroading starting with my first train when I was 8 years old. I had a large American Flyer set which was big enough to run around both our living room and parlor. My father also introduced me to HO trains when I was 12 when he gave me a refrigerator car (which I still have). While I was in college my parents moved and had an auction, which was the last time I saw the American Flyer. After that time I was pretty much a closet model railroader until I approached retirement.



During the next 45 years I read magazines, acquired some engines and cars, and started work on a couple different layouts. Work took me on the road and gave me too many chances to procrastinate, so when I approached retirement I set a goal of becoming a model railroader for real. I decided to become a member of the SCWD in the fall of 2015 with the goal of meeting and getting to know people who have already had success in the hobby, and to find which aspect of the hobby will give me the most satisfaction. As a result, I have acquired a model railroad layout based on the Soo Line (Bill Ehlert's Rugby Junction).

I believe the SCWD is most successful when it provides modelers the opportunity to find and develop their interests. For some, it is operations, for others it is modeling engines or rolling stock, and to others it is modeling scenes, and some just like to collect railroad artifacts and models. Personally I find myself drawn to railroad stations and to railroad history. It is my goal to help the SCWD continue to encourage modelers find their interests and expand their interests and skills in the hobby.

Bob McGeever

My wife and I have been rail fans all our lives. I got interested in model trains as a kid when my dad gave me and my brother his childhood Lionel train set. I spent the first 30 years of my married life intending to build a model railroad. My boys and I went to the train show every couple of years and dreamed of what we could do with half the basement. Time passed, the boys grew up and I found I finally had the time to build a model railroad.



I started the planning a layout about 12 years ago. I'm working in N scale using the WSOR as my prototype. It supports my interest in lots of local freights in limited space, it runs through the town I live in, and I really like the color scheme on their locos. After we retired and added to the house, I had twice as much basement to fill. The expanded layout has almost all the track installed. I have developed an operating system using JMRI Ops Pro. Some of the scenery is done. I have lots of structures to complete. But it runs!

I joined the NMRA in 2010 to learn from other people with more experience. I have had the honor of serving on the BOD since 2011 as the Clerk and the Superintendent. I currently serve the SCWD as Paymaster and as the Train Show Committee Chair.

Candidates continued next page

Bill Mitchell

I have been a member of the National Model Railroad Association since 1967 and became a LIFE member of the NMRA in 1988.



Back in April 2020, I was appointed by the Board of Directors to fill a vacancy on the board due to a resignation. I volunteered to take the position of Clerk. I was elected to the Board of Directors at the next annual membership meeting in the Spring of that 2020. I have served as Clerk since.

I enjoy being a member of the SCWD Board of Directors and would like to be re-elected for the 2024-2025 term. If elected, I would be like to continue in the position of Clerk.

Steve Preston

Thank you for letting me serve on the board for the past few years. I am currently serving as the SCWD Youth Group Director and Membership Director.



I am glad to have been a part of our Division's decision-making process. Hopefully we will continue to serve our Division well and keep our commitment to run a well organization such as ours.

Layout Tours

Phil Hottmann

Again, we had another first-time layout tour for March. This time it was Sean Hadfield with his layout. I think everyone really appreciated the work Sean has been doing for the past seven years. In a fairly small space Sean has been able to model Stoughton, Edgerton and Chicago. It appears that most of the work was scratch built. This was really great to see!



I had a few complaints about the size of the print of the maps. Next time I'll be sure to increase the size of the font. If possible, I would like to avoid printing all of these maps. I assume most of you have navigation either on your phone or car. Maybe we could give that a try sometime.

For April we will be visiting two layouts in Waunakee. Rusty Dramm and the Waunakee club will be open. The club is now operating with DCC and Rusty has completed new work on his layout.

Phil

It's banquet time!

May 10th 2024

To be held at the:
American Legion Hall
207 Legion Street
Verona, WI 53593
Cocktails at 6pm



Dinner will be served starting at 7pm — so don't be late.

Reservations must be received by May 1st

Cost of meal: SCWD/NMRA members, \$15.00

Non-NMRA attendees, \$25.00

Children 12 & under, \$5.00

Name:

\$

Note: If you are an NMRA member, your spouse, child over 12 or significant other is the same price as you.

Make sure you indicate rail or non-rail. If more than 4 then add to a separate piece of paper and send it along with your reservation

Address: _____

City: _____ WI Zip _____

Send your reservation to:
Art Dawson
16317 W. Union Rd.
Brooklyn, WI 53521

Amount enclosed: \$ _____ Checks should be made payable to the SCWD



SCWD 2024 Annual Summer Picnic

Saturday, July 20, 2024



For the past several years, except for 2020, the SCWD has held a catered picnic at Little Amerricka Park in Marshall on their “Whiskey River Railway Day”. The SCWD Board has agreed to do so again this summer on Saturday, July 20th. Reservations have been made with the amusement park for use of their Blue Rose Pavilion and catering is being arranged. The park opens at noon and closes at 5 pm. Lunch will be served starting at 12:30 pm. As was done in 2019, 2022, and 2023, the Board has decided to defray part of the catering cost by charging a \$5.00 fee for each attendee, six years old and above. Five and under get the meal for free. Railway equipment can be viewed for free, but train and other rides require purchased tickets from the Park. SCWD members and their families, Youth Club members and their families and other invited guests approved by the Board can attend the picnic. To determine the food quantities for the caterer, you will have to sign up and pay by Saturday, July 6, 2024.

Little Amerricka is located on STH 19 on the east edge of Marshall. Parking directly at the Blue Rose Pavilion can be reached off Box Elder Rd. intersecting USH 19 just east of the Park’s regular entrance.

Added Attraction

Roy Grant will have his N-scale Omaha Western layout open from 10 am to noon. His layout in the house was on display prior to the 2017 picnic. He has now rebuilt the layout into a separate building. The property is about 2 miles west from the first intersection north of I-94 on STH 73 at West Medina Rd. The address is 1465 West Medina Rd on the south side of the highway.



SCWD 2024 Annual Picnic Sign-up and Payment Sheet

SCWD Member and Family Attendee(s) names:

Cost(each):

Total Enclosed \$ _____

Please print and fill out the form and send with payment (cash or checks - payable to the SCWD) by 7/6/24 or bring the sign-up sheet and payment to me at a future SCWD monthly meeting. My address is:

John Haverberg, 4797 Delmara Rd, Middleton, WI 53562

Any questions, contact me at E-mail address: haverdj@tds.net, Phone: 608-836-7963

A Puzzle for You



You like trains, or train watching, but have you ever wanted to go to an OPS (Operating Session) and run trains on someone else's layout, but were afraid you wouldn't know what to do?

Model Railroad Operation is a fun and interesting role-playing game where the players (operators) use model trains to simulate the movements of the prototype railroad. Operators fill the roles of railroad employees like engineers, conductors, yardmasters, dispatchers, and more. Many of our SCWD members participate each month at multiple layouts to enjoy this fun and stimulating practice of critical thinking and problem solving in the context of railroad operations.

Now, there is a way for you to get your feet wet in this critical thinking and problem-solving railroad environment in the privacy of your own home through the use of railroad switching puzzles.

In July 2020, a group of SCWD members started a project to introduce more of our members to the enjoyment of railroad operations, or as our wives call it, playing trains. Some of us have been engaged in operating sessions for 20 years or more, and would like to get more of you involved.

The project involves getting one to solve a series of train switching puzzles (on paper, or your computer) in the least number of moves possible. You can then submit your solution to see if yours was done in the least number of moves.

Beginners can start with **3 introductory puzzles** to show the kinds of skills used in railroad switching operations. Then, you can advance to a series of more advanced puzzles written and based on actual SCWD member area layouts. Or, if you have already been to an OPS session, you could do an introductory puzzle, and jump right into the more challenging ones.

Join the SCWD listserv now and begin learning what this is all about!

Email Steve Lanphear at scwdmemberlist@mhtc.net to be added to the list and start receiving your puzzles now!

Happy Railroading!
Steve



Enjoy receiving interesting rail photos, model railroad tips, Operating puzzles, and challenging Mystery Photos??

Join The 120+ SCWD members and members from other Midwest Regional Divisions who are participating in the SCWD listserv. You can expect 5 - 10 photos of railfan photos or model railroad photos or other items per week on average, as well as SCWD announcements, monthly Mystery Photo contests, Modelers Corner, and OPS Corner Puzzles. The listserv has been running this since April 2012, and it has been quite popular.

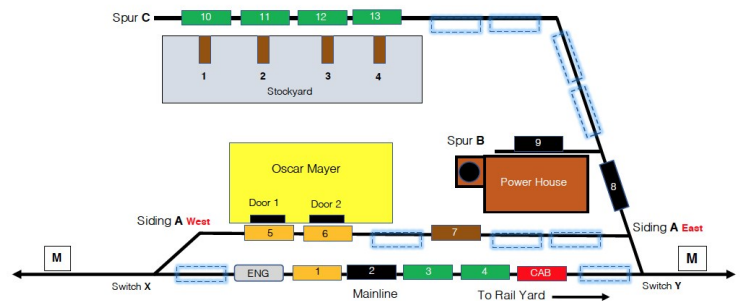
The listserv is a one-way email broadcast to you, not a social media type service. The emails are sent in bulk, but as a BCC: type email.

Please save this email so you know how to get a hold of me. So, if you would like to try out this FREE member service, just send me your **Name** and **email address**, and **City/State** to the address below. You may drop out at any time by sending an email stating such to the same address below.

Steve Lanphear
SCWD listserv Coordinator
scwdmemberlist@mhtc.net



OPS Puzzles

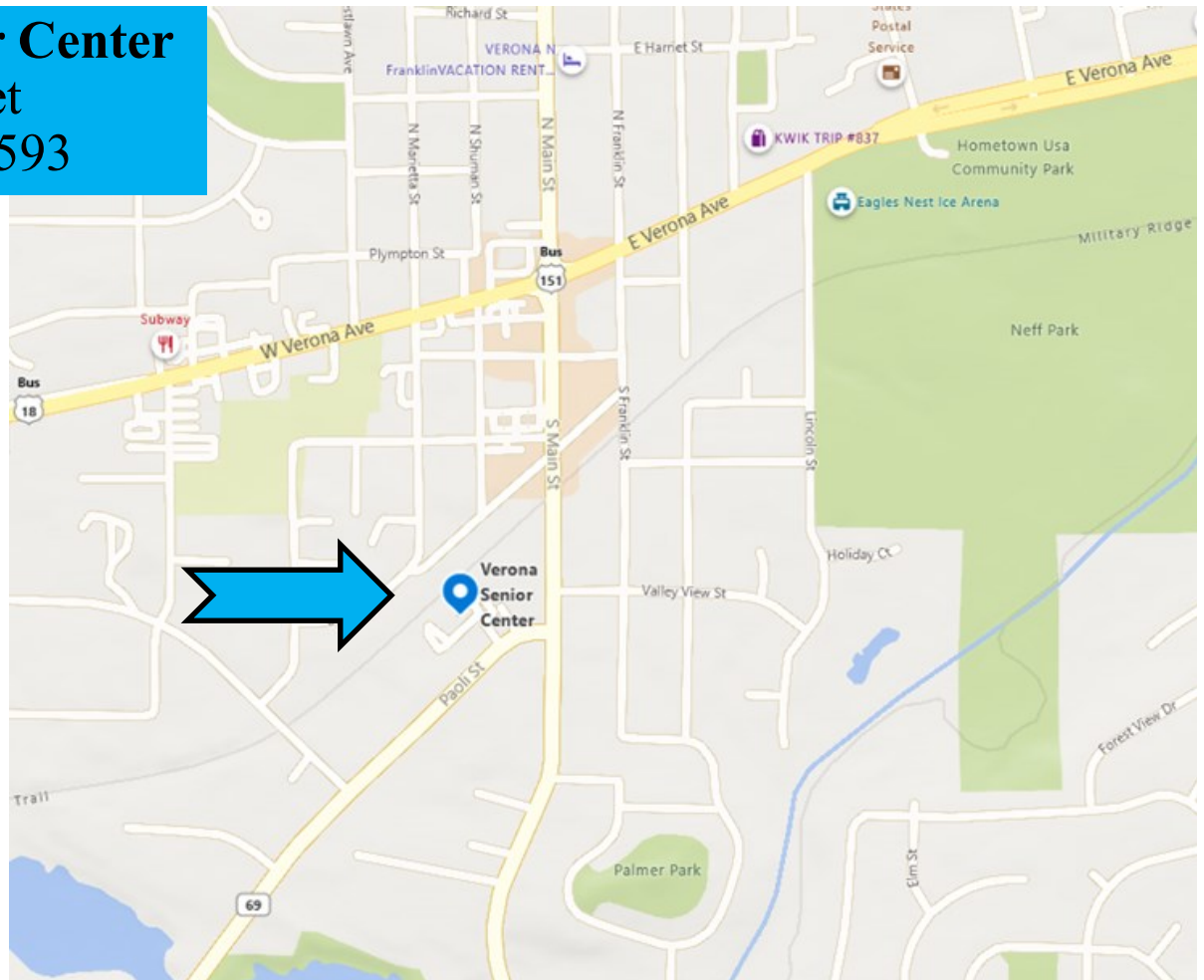


OPS Puzzles have arrived! We now have a section on the SCWD Website that has all 11 puzzles that we have published on the listserv, including the handouts and diagrams. You can start from the beginning, or pick and choose which puzzles you would like to try.

www.nmra-scwd.org/ops-puzzles.html

Steve Lanphear and the Puzzle Development Team.

Verona Senior Center
108 Paoli Street
Verona, WI 53593





NMRA NEWS



The week-long **SurfLiner 2024 NMRA National Convention** is being hosted by the Pacific Southwest Region of the NMRA on **August 4-11, 2024** at The Westin Hotel in **Long Beach, California.**



SAVE THE DATE

AROUND THE BEND

MIDWEST REGIONAL CONVENTION

MAY 2ND-4TH, 2024

The Century Center, South Bend, Indiana

Regional Train Event • Clinics • SIG Activities • Layout Tours
 Operating Sessions • Display Room • NMRA AP Program Judging
 Railroad and General Interest Tours • *And much more!*

<http://2024roundthebend.com/>



Central Indiana Division
of the
National Model Railroad Association
presents the 2024



FRANKLIN TRAIN SHOW

Saturday, Aug. 3rd, 10am to 4pm

Sunday, Aug. 4th, 10am to 3pm

**Four buildings filled with vendors
and portable layouts**

**One building for demonstrations
both days**



Admission: \$7.00 per Adult

(Kids under 16 free with parents)

(\$5.00 with proof of current NMRA membership with card)

JOHNSON COUNTY FAIRGROUNDS

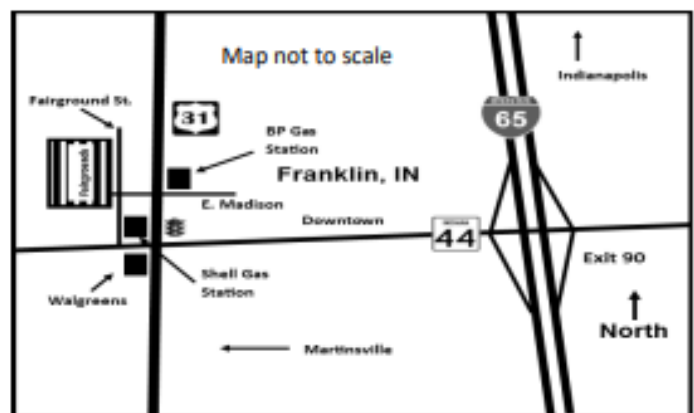
250 Fairground St., Franklin, IN • Check in at Farm Bureau Building

Show Features:

- Operating Layouts
- Dealer Tables
- Manufacturers
- Free Parking
- Displays
- Demo's
- Door Prizes
- Food

★ Popular Vote Contest ★

Bring what you are working on



***Check out our website at
<http://www.cidnmra.org>***

For information contact Michael Roderick at (317) 833-3556 or FranklinTrainShow@gmail.com

NOTE: The next CID train show is at Danville, IN on November 23, 2024



Minutes SCWD Board Meeting 6:30 PM, 13 February 2024 via Zoom meeting



The meeting of the South Central Wisconsin Division Board of Directors was called to order at 6:38 pm by Superintendent Art Dawson. Art Dawson, Phil Hottmann, Bob McGeever, Dave Down, John Kosobucki, Dave Dingman, Steve Preston, Chris Bradley, and Bill Mitchell were present. (Meeting date and start times may vary due to BOD members schedules.)

John Haverberg was a guest to provide an update on the July 20th Summer Picnic

BOD Meetings: Members of the SCWD are invited to join a ZOOM Board of Directors meeting. Meeting dates are published in the **Bad Order**. Send a request to Art Dawson or another member of the SCWD Board for a **ZOOM** link to the upcoming meeting. The members' contact information is in the **RED BOOK**.

Minutes

Motion by Kosobucki, second by Dingman, to approve the minutes (with the grammatical corrections provided by John Kosobucki) of the SCWD Board Meeting held on January 10, 2024. Motion carried.

Paymaster Report

Bob McGeever presented the highlights of the January Paymaster Report. Motion by Dingman, second by Hottmann, to approve the Paymaster Report. Motion carried.

Committee Reports

Achievement Program - Nothing to report.

Advertising - Nothing to report.

Bad Order - Articles are due for the newsletter by February 19th.

Special Note 1: The email list comes directly from the NMRA membership list, so please keep your membership active and your email current with the NMRA. All SCWD members are requested to inform the NMRA when their email address changes.

Special Note 2: Kathy, our newsletter editor, is always in need of articles. Please submit articles as soon as possible to have them included in the next publication of the Bad Order to SCWDKATHY@AOL.com via email with attachments in a WORD formatted document.

Clinics - Clinics are scheduled for the remaining monthly membership meetings.

Special Note: A new Clinics Chairperson is still needed for next season. Ken Hojnacki is retiring from that position after the May 2024 membership meeting.

Contests - Model and Photography - Dave Down reported that the contests are going very well. Dave will be looking at an "April Fool's" category for the March or April 2025 contest.

Modeling Project - The "Natural Trees on a Diorama" needs to be completed for the April SCWD Membership meeting.

Door Prizes - Bob McGeever will be purchasing a few more \$25.00 Gift Certificates to **MADISON HOBBY STOP**.

Layout Tours - A layout has been scheduled for March. Phil Hottmann is looking for a layout tour close to Verona for the joint May meeting.

Our SCWD organization is always looking for more people to host virtual or in-person layout tours. Please contact Phil Hottmann about the possibility of opening up your layout for a virtual or in-person tour. Phil's contact information is in the REDBOOK.

Membership - Steve Preston reported that there is a problem with the NMRA membership website. This problem is being addressed. Four new members recently joined our Division.

The current SCWD membership list is sent to Steve Preston on a monthly basis. The email address of the SCWD members associated with the membership list is used for the Constant Contact electronic communications system. Each member is responsible for making sure that their email address is valid. If someone has problems renewing their NMRA-SCWD membership using the ON-LINE systems, please contact Steve Preston. His contact information is in the RED BOOK.

Picnic - John Haverberg - The SCWD July Summer Picnic is scheduled for July 20, 2024, at Little Americka Park in Marshall on their "Whiskey River Railway Day". The picnic lunch will be served at 12:30 pm. John will be picking the caterer. Motion by Kosobucki, second by Bradley, to keep the price of the 2024 July picnic the same as 2023. Motion carried.

The cost to attend the 2024 Summer Picnic: **Adults, Children Age 6 years old and above \$5.00**
Children 5 years old and under FREE

Phil Hottmann will try to line up a layout tour before the 12:30 pm picnic start time. Bill Mitchell will contact Darrell Klompmaker of Little Americka to see if the SCWD Youth Group and Members are able to tour the Whiskey River Railway engine/locomotive shops in the morning.

Publicity - Nothing to report.

Rail School - January 5, 2025 - A few members have expressed ideas about how to improve the **Rail School** for 2025.

Rail Show - The *56th Madison Model Railroad Show and Sale* will be held on February 17 - 18, 2024. Bob McGeever, Tom Morrison, and Bill Mitchell will be reviewing the Alliant Energy Exposition Center tables and chairs layout on Thursday, February 15. Friday, February 16, the show crew will meet at 7:00 am at Perkins on the Beltline Highway for breakfast, move the show equipment from the storage facility and set up the show at the Alliant Energy Expo Center.

Spring Banquet - Art Dawson will be finalizing the details. The banquet will be held on Friday, May 10th, at the Verona American Legion Hall. Cocktails Hour is at 6:00 pm. Dinner will be served around 7:00 pm. The event details will be published in the **BAD ORDER** as more details become available.

SCWD/NMRA members \$15.00
Non-NMRA attendees \$25.00
Children 12 & under \$5.00

If you are an NMRA member, your spouse, child over 12 or significant other is the same price as you.

Youth Group - Nothing to report.

Youth Group Notes - Youth 18 years of age and under are welcome to join the SCWD Youth Group. A parent or designated adult is required to attend with the youth. The Youth Group Committee is looking for more members. Also, SCWD members are needed to present model railroading topics.

Website - The license fees for the website have been renewed.

Social Media - Nothing to report.

Old Business:

Nothing to Report.

New Business:

John Kosobucki, SCWD Board Member, and Bill Mitchell, SCWD Clerk, announced that they will not be running for re-election to the SCWD Board of Directors. Please contact Phil Hottmann (contact information in the **RED BOOK**) if you would like to be nominated to become a member of the Board of Directors.

Our **Bad Order** Editor has requested a biography and picture of the candidates that are running for election to the SCWD Board of Directors. The election will be held at the April 7th SCWD Membership meeting.

From the December 2023 minutes: The May 5th SCWD Membership Meeting will be a joint meeting with the Rock River Valley Division at the Verona Senior Center.

Adjournment:

A motion was made by Kosobucki, second by Preston, to adjourn the meeting. Motion carried. The meeting was adjourned at 7:38 pm.

Bill Mitchell - Clerk



For those members that participate in the listserv emails from Steve Lanphear, please remember to send him your new email if you change it! Changing your email with the NMRA does not change it on the listserv. His email is:

Steve Lanphear
SCWD listserv Coordinator
scwdmemberlist@mhtc.net

FROM the NMRA **Please Keep in Touch**



Please make sure the NMRA has your current contact information. You will not be able to access the full range of NMRA benefits unless we can reach you.

- Please visit nmra.org/members
- Use your email address and password to log in.
- If you have not yet registered, or forgot your password, there are buttons for that. Take a moment to easily correct any problems.
- Once logged in, click on Member Info (top right corner).
- Make sure your information is correct.
- If not, please go to:

nmra.org/request-membership-info-changes

to submit a request for changes to be made.

Thank you!



MADISON HOBBY STOP

6622 Mineral Point Road, Madison, WI 53705

Ph: 608-829-3820 • Fax: 608-829-3852 • www.madisonhobbystop.com

Hours: Monday – Friday (10 am – 8 pm) and Saturday (10 am – 5 pm)

Model Railroading • Plastic Model Kits • Rockets & Accessories • Pine Car •
Paints • Tools & more!



Happy Spring!



**Before the mowing and planting
begins, keep working on the layout.**

For supply needs, I have them or can get them for you.

We are now closed on Sunday until late November.

Thank you for your continued support.



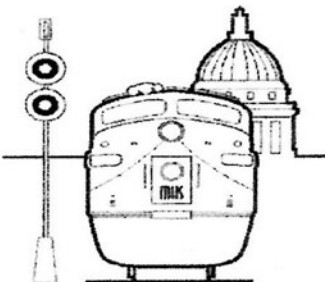
**Preorders are 25% off regular price except
Walthers Proto which is 20% off**

New/old consignment coming in weekly, stop in for best selection

**Remember, most model railroad items are 20% off
with a valid NMRA or other club id card**

Excludes discounted or sale items, magazines, and consignments

Gift Certificates Available



Madison Hobby Stop
Chris Roosli, Proprietor

The Hobby Depot

Brian Stackpole, owner



See us on the web at: www.hobbydepotmonroe.com



835-17th Street
Monroe, Wisconsin 53566

Phone: 608-325-5107

Call ahead to be sure we're open!

email: hobbydpo@tds.net

TRAINS & MORE

South Central Wisconsin Division of the National Model Railroad Association

Publishes eleven issues yearly of the

BAD ORDER

Official Mailing Address:
BAD ORDER
3940 Trempealeau Trail
Verona, WI 53593

Photos in the Bad Order, unless otherwise noted,
are by Kathy Clancy

Deadline for submissions: **14th of the month
prior to publication.** Email Bad
Order Editor at SCWDKATHY@AOL.com

Place your ad here!!!

Contact
Kathy Clancy
Bad Order Editor
SCWDKathy@aol.com



If you change your
email address

Don't forget to notify the NMRA and
Kathy Clancy
Bad Order Editor

Thank you!

Railroad Collectibles

Wanted to Purchase:

Annual Passes-Card size-Pre 1830
Annual Reports
Brochures-Railroad Brochures, Folders, Booklets
Calendars-Pre-1980 Railroad Issued
Depot Related Items: Telegraph-Telephone-Signs-
Ticket Dater Machines-W/Brass Die Insert
Diagram Books-Locomotive-Freight-Passenger
Dining Car China-Silverware-Holloware-Glassware
Especially With Railroad Name, Initials,
Logo
Engineering Data Books-Track Charts-Blue Prints
Great Lakes Car Ferry and Passenger Lines-
Passenger Service Memorabilia
Fred Harvey Restaurant Items-Dishes, Glass, Silver,
Paper and any Miscellaneous Items
Locomotive Builder Plates
Miscellaneous-Many more items not mentioned
Publications-RR Historical Societies-RR Employee
Magazines
Signs-Porcelain or Metal with Railroad Logo
Step Boxes-with RR Name/Logo
Timetables-Public and Employee Railroad Sched-
ules
Wax Sealers-From Railroads or Express Companies
Model Railroad Items: HO Gauge-Brass Equip-
ment O Gauge (2 Rail 1/4" scale), Brass
Equipment, Kits, Passenger and Freight

NOT BUYING:

No Model Railroad Magazines
No Insulators, Date Nails, Tokens, Post Cards,
Watches or Belt Buckles

RAILROAD RELICS
LARRY BUNCE
201 NORTH KERCH ST.
BROOKLYN, WI 53521
(608) 455-4233

EMAIL: rrrellmb@charter.net or
rrrellmb@gmail.com

****BUY**Shows-Ebay**SELL**

PLEASE PATRONIZE OUR AREA HOBBY STORES

The Hobby Depot – 835 17th Street – Monroe WI
Madison Hobby Stop – 6622 Mineral Point Rd (inside Clock Tower) – Madison WI *

* = Train Show Ticket advance sales

SCWD 2023-2024 Meeting Schedule

Regular Meeting

April 7, 2024
May 5, 2024 (Joint meeting
with Rockford at Verona)

BOD

April 9, 2024
May 14, 2024
June 11, 2024
August 13, 2024

Youth Group

April 13, 2024
May 11, 2024

A Word about Constant Contact e-mail

Each Constant Contact e-mail includes links to update or unsubscribe your e-mail address. **Please do not use these links.** If you unsubscribe using the Constant Contact link, your e-mail address will be removed from the NMRA membership database, from the Midwest Region e-mail database and probably from your Division's records. If you get an e-mail that you don't want, just hit the delete key. Furthermore, if you use the update link, your change may not be timely posted to the NMRA membership database.

If you need to change your email address with the NMRA please follow these directions:

The direct way is to log on to the "Members" page of the NMRA website, choose the "View your NMRA membership" box on the right side of the screen, scroll down to the bottom of the page and select "Update". Enter the new email address in the appropriate box and click "Submit".