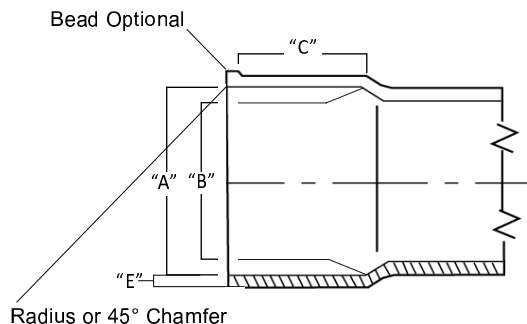


BUSHING

TECHNICAL INFORMATION



Fittings Socket Dimensions - Inches

Nominal Size	A	B	C
4"	4.235±0.009	4.210±0.009	1.75
6"	6.305±0.011	6.270±0.011	3.000

Pipe Dimensions Minimum Wall Thickness

Nominal Size	Outside Diameter		
	Average	Tolerance on Average	SDR 35
4"	4.215	±0.009	E
6"	6.275	±0.011	E

Bushing

Sewer Spigot x Sewer Hub

Part #	Size	Desc.	D	F
V-1143	4x3"	Flush	3.271	4.215
V-2064	6x4"	Extended	4.235	6.275



V-1143



V-2064

Normandy Products are proudly
made in the USA.

