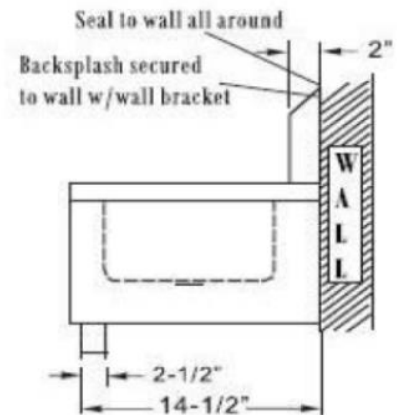
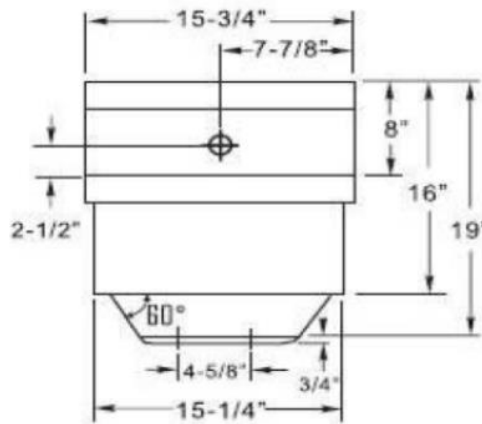
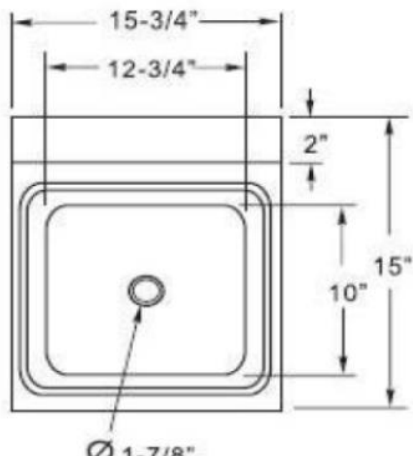


WICKETTS STAINLESS

Stainless Steel Hand Sink
WHS 1615-KG KNEE VALVE

SPECIFICATION



Product #	Description
WHS 1615-KG	16 x 15 Wall Mount Hand Sink With Knee Valve; 1.8 GPM Lead Free Faucet

Wicketts Stainless, LLC.
2618 San Miguel Dr. Bldg. # 376
Newport Beach, CA 92660
Tel: 951-858-2548
Fax: 951-638-9059
www.wickettsstainless.com
Sales@wickettsstainless.com



Approved for Manufacturing
Company: _____
Signature: _____
Print: _____ Date: ____/____/____