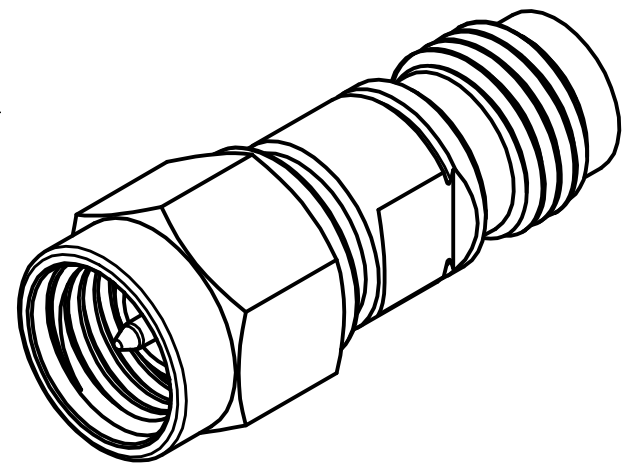
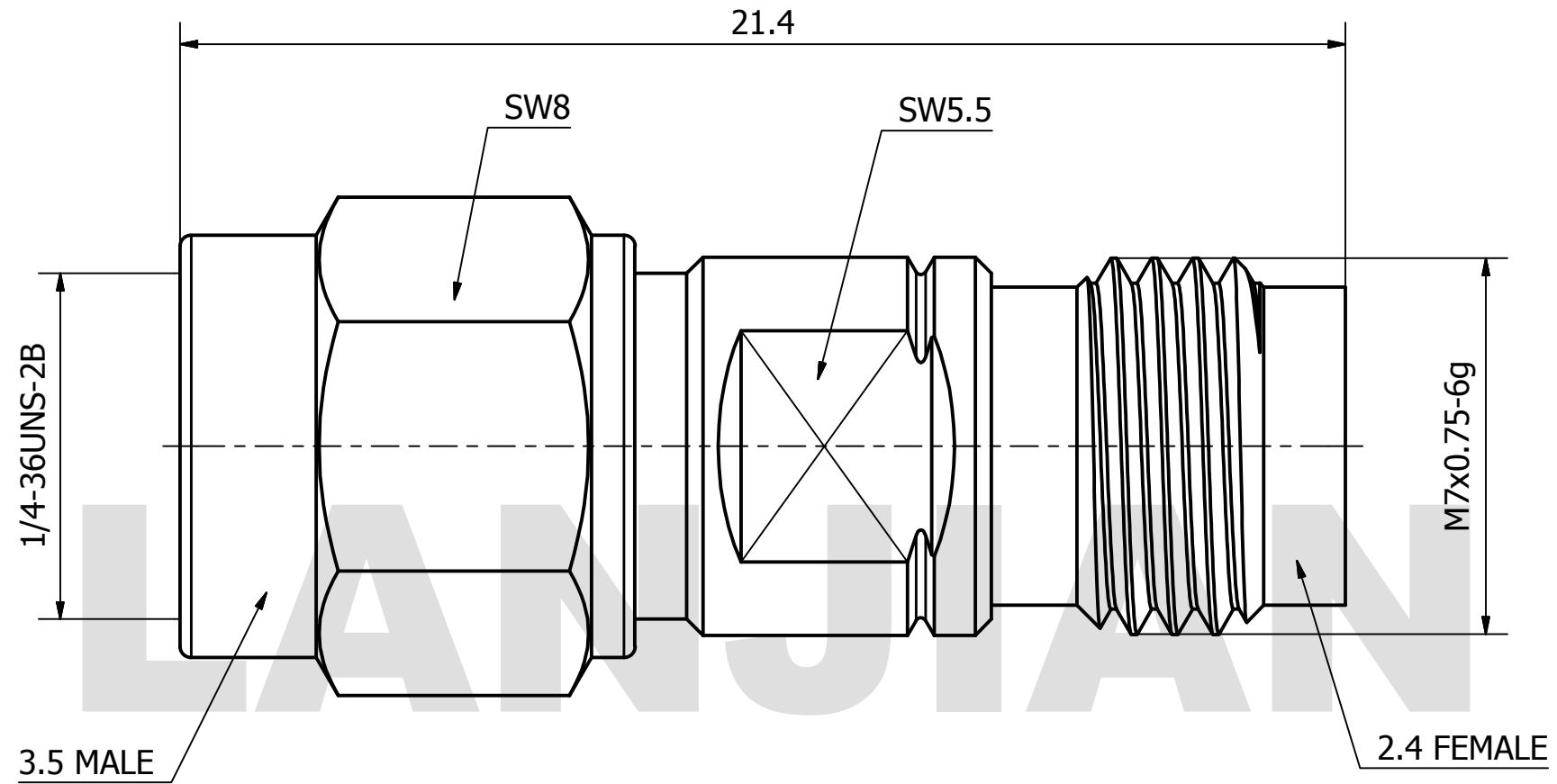


PRODUCT DATA SHEET



MATERIAL:
BODY: STAINLESS STEEL PER AMS-5640,
 ALLOY UNS S30300
CONTACT: BERYLLIUM COPPER PER ASTM B196.
 ALLOY NO. UNS C17300
INSULATOR: PEI
PERFORMANCE:
IMPEDANCE: 50 OHMS
FREQUENCY: DC TO 33 GHz
VSWR: ≤1.25

THIS DOCUMENT CONTAINS CONFIDENTIAL AND PROPRIETARY INFORMATION THAT CANNOT BE REPRODUCED OR DIVULGED, IN WHOLE OR IN PART, WITHOUT WRITTEN AUTHORIZATION FROM "LANJIAN ELECTRONICS"	MATERIAL :			 38 Hengtong Road, Xinqu Dingmao Zhenjiang, 212009, Jiangsu, P. R. China
	UNLESS OTHERWISE SPECIFIED: DIMENSIONS IN MM			
	TOLERANCES :			
	X.X ±0.20	ANGULAR : ±1°	DEBURR AND BREAK SHARP EDGES	
	X.XX ±0.10	FILLETS R/C : ±0.10		
	X.XXX ±0.01	SURFACE FINISH : Ra 1.6		
	NAME	DATE	SIGNATURE	
	DRAWN			
	CHK'D			
	APPV'D			
MFG				
PROJECTION	SIZE	SCALE	DWG No.	
	A3	8 : 1	GCPZ3.640.O.006	
DO NOT SCALE THE DRAWING			REV.	
			PAGE 1 / 1	