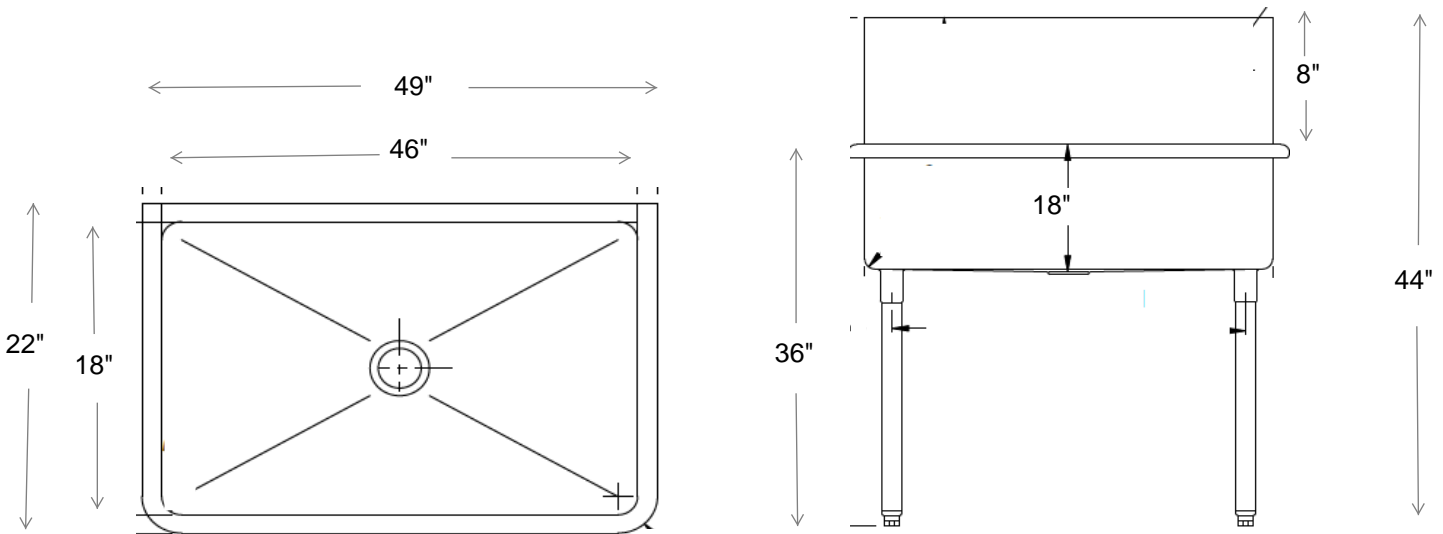


WICKETTS STAINLESS

SPECIFICATION

Commercial Sink
Heavy Duty
WCS-4149



Model Number	A	B
WCS-4149	49	46

Engineering Specification:

14 gauge, type 304 stainless steel scullery sink. 18" deep construction. Full length 8" high backsplash 1-3/8" Rolled rim. Exposed surfaces polished to a satin finish. Supported on (4) stainless steel, 1-5/8" O.D. tubular legs, Adjustable bullet feet.

Wicketts Stainless, LLC.
2618 San Miguel Dr. Bldg.# 376
Newport Beach, CA 92660
Tel: 951-858-2548
Fax: 951-638-9059
www.wickettsstainless.com
Sales@wickettsstainless.com



Approved for Manufacturing

Company: _____

Signature: _____

Print: _____ Date: / /